



US00D450682B1

(12) **United States Design Patent**
Takagi

(10) **Patent No.:** **US D450,682 S**

(45) **Date of Patent:** **** Nov. 20, 2001**

(54) **REMOTE CONTROLLER**

(75) Inventor: **Noriaki Takagi**, Tokyo (JP)

(73) Assignee: **Sony Corporation**, Tokyo (JP)

(**) Term: **14 Years**

(21) Appl. No.: **29/137,747**

(22) Filed: **Feb. 28, 2001**

(51) **LOC (7) Cl.** **14-03**

(52) **U.S. Cl.** **D14/218**

(58) **Field of Search** D14/217, 218,
D14/192, 165, 163; D13/168; 348/734;
455/151.1, 151.2, 151.3, 151.4, 152.1, 352-355;
200/331; D10/104, 106

(56) **References Cited**

U.S. PATENT DOCUMENTS

D. 322,609	*	12/1991	Patton	D14/218
D. 344,522	*	2/1994	Taniguchi	D14/218
D. 411,998		7/1999	Hakoda et al.	.	
D. 424,567		5/2000	Hakoda	.	
D. 435,543		12/2000	Nakamura	.	

OTHER PUBLICATIONS

Catalog "MD Walkman/MD-CD System", 3 sheets, Sep. 2000, Sony Corporation.

* cited by examiner

Primary Examiner—Louis S. Zarfes

Assistant Examiner—Gregory Andoll

(74) *Attorney, Agent, or Firm*—Rader, Fishman & Grauer, PLLC

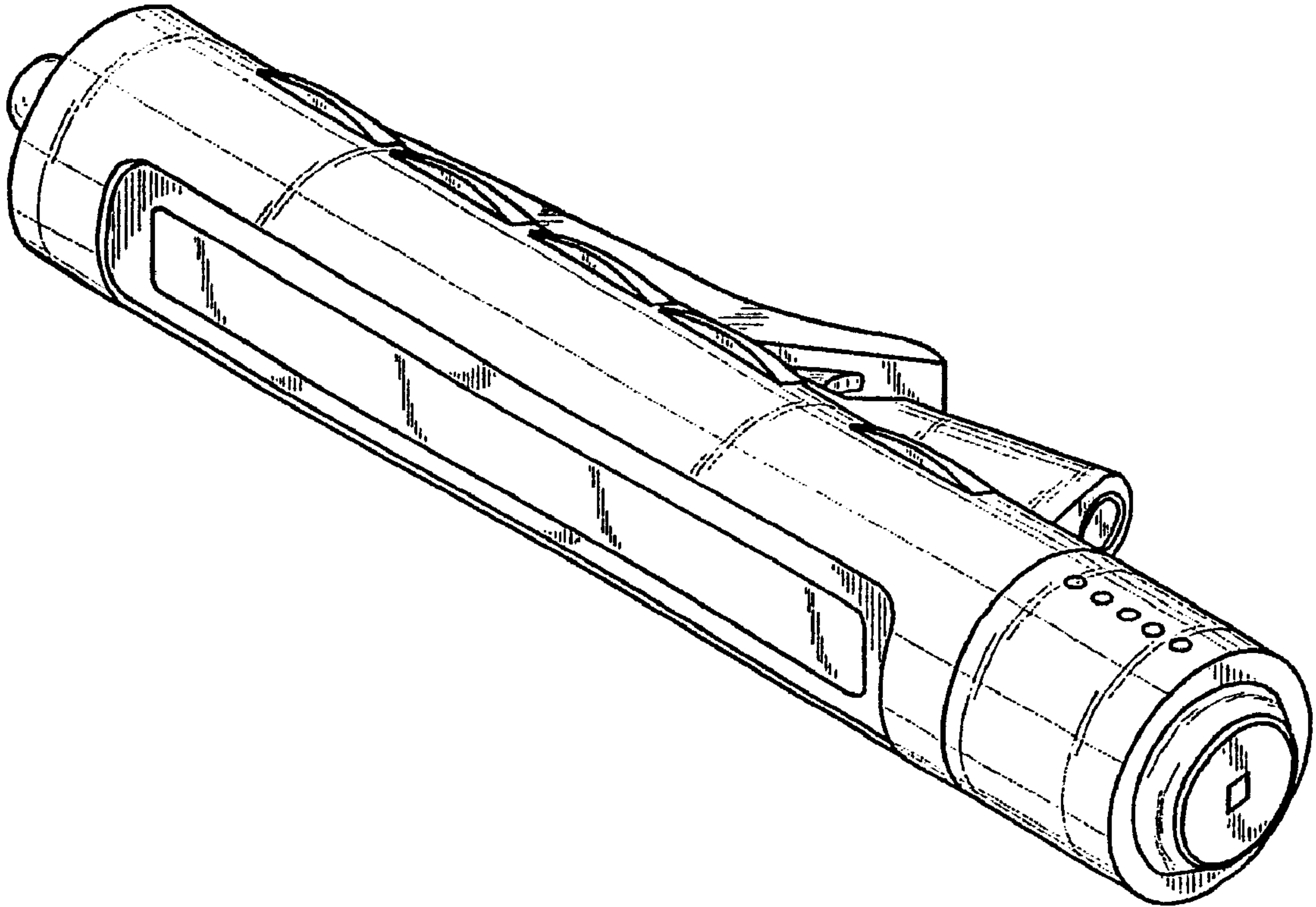
(57) **CLAIM**

The ornamental design for a remote controller, as shown and described.

DESCRIPTION

FIG. 1 is a perspective view of a remote controller showing my new design;
FIG. 2 is a front elevational view thereof;
FIG. 3 is a rear elevational view thereof;
FIG. 4 is a left side elevational view thereof;
FIG. 5 is a right side elevational view thereof;
FIG. 6 is a top plan view thereof; and,
FIG. 7 is a bottom plan view thereof.

1 Claim, 4 Drawing Sheets



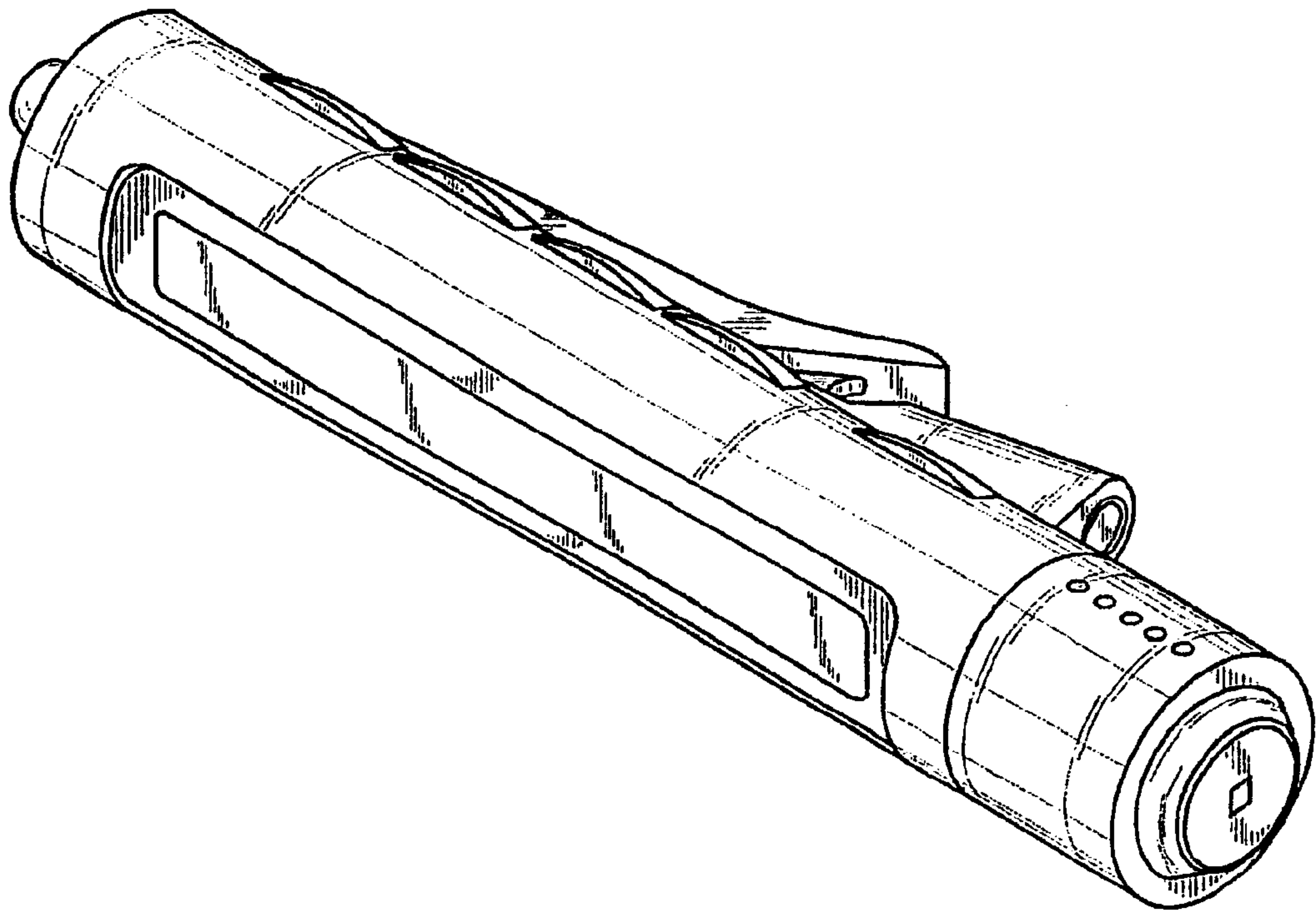


Fig. 1

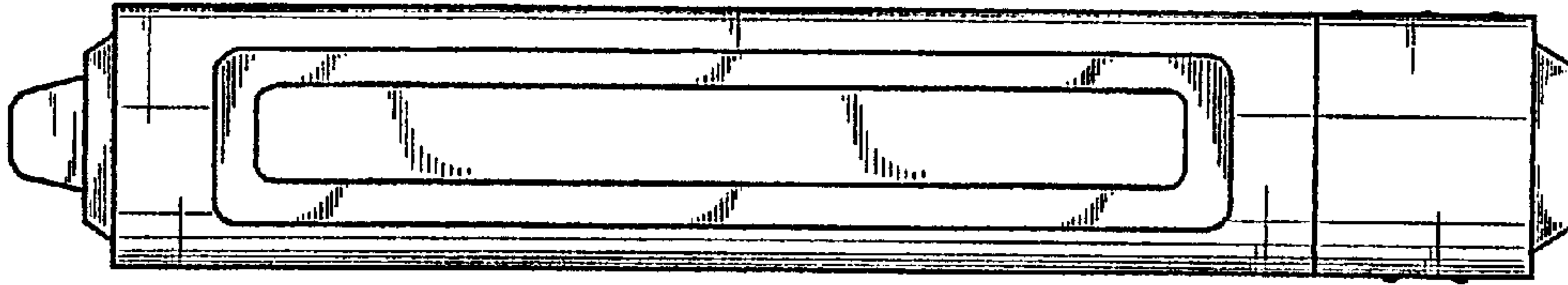


Fig. 2

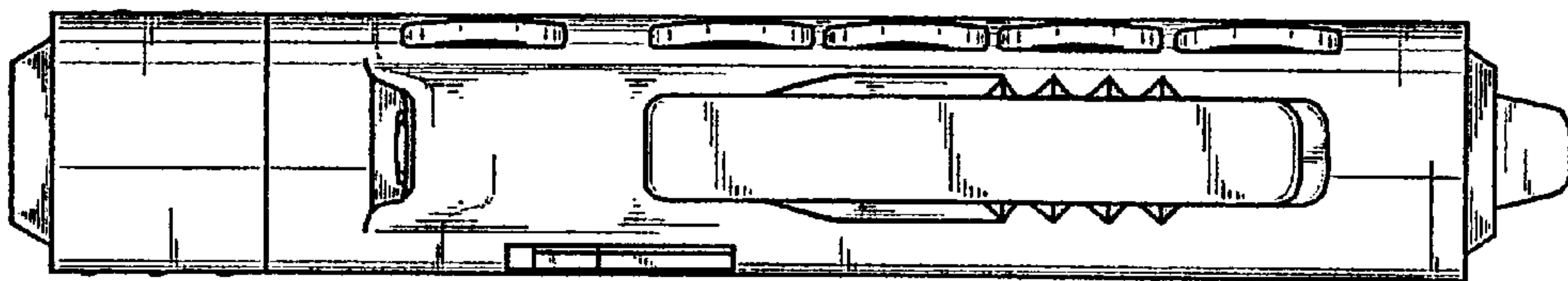


Fig. 3

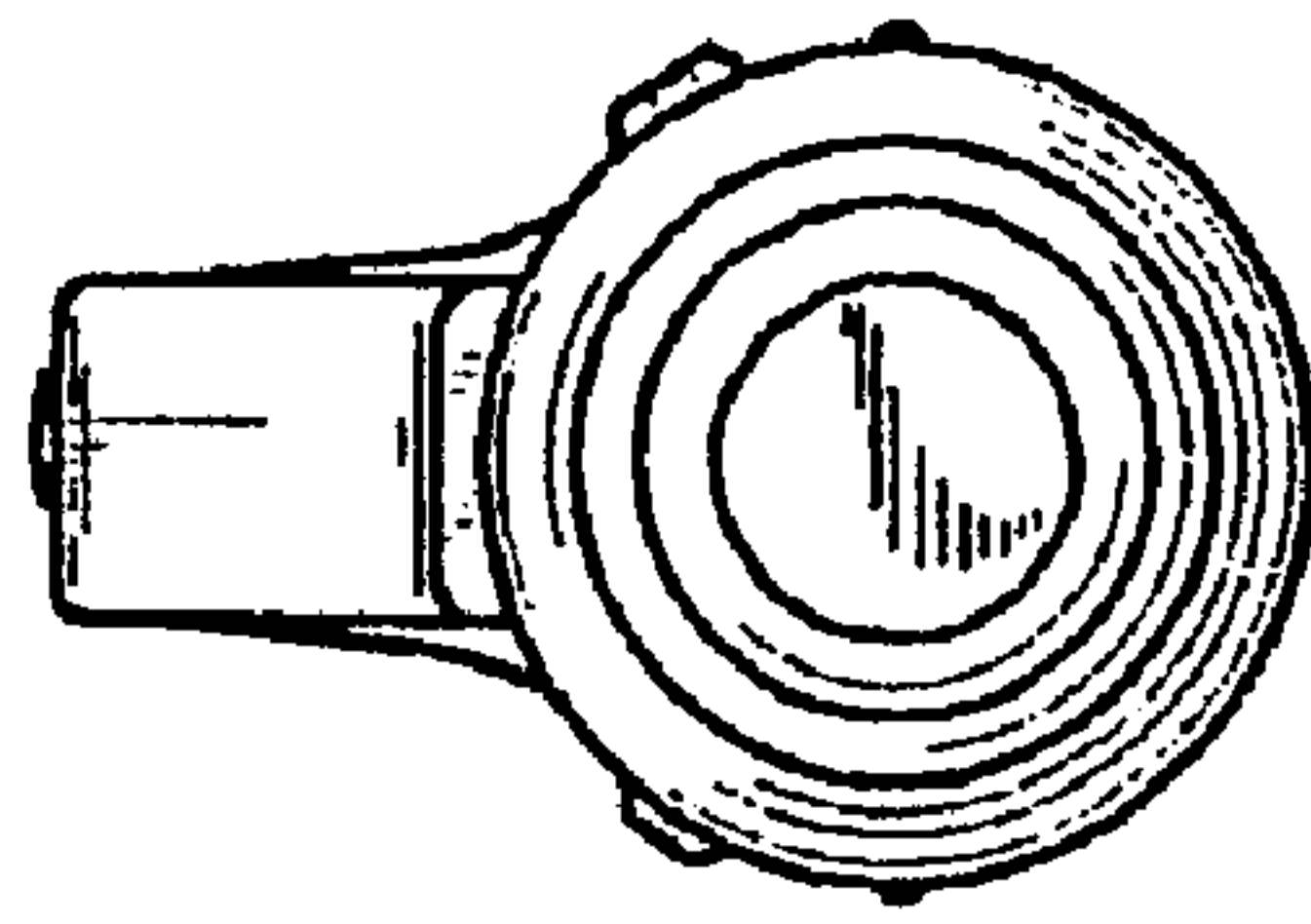


Fig. 4

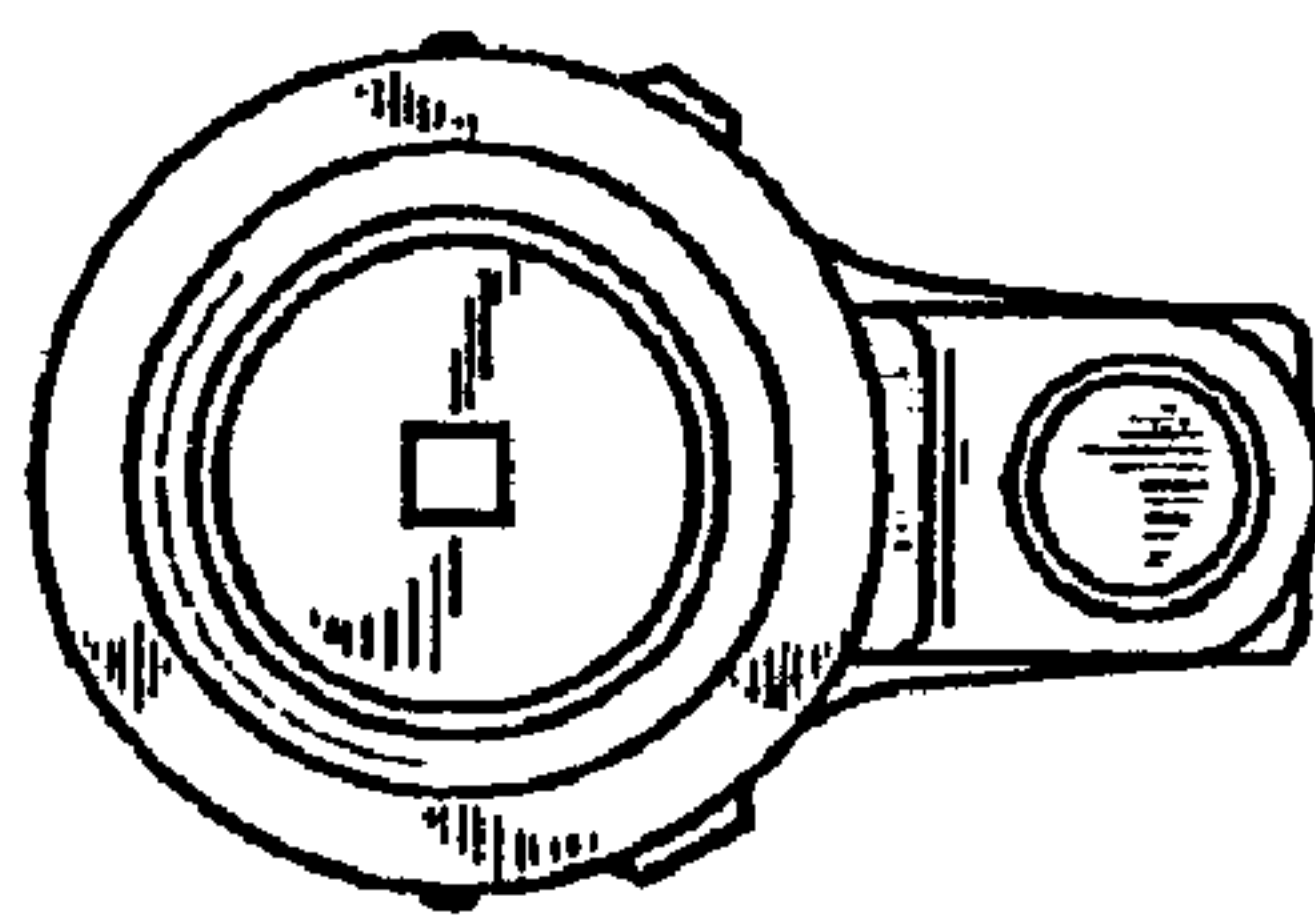


Fig. 5

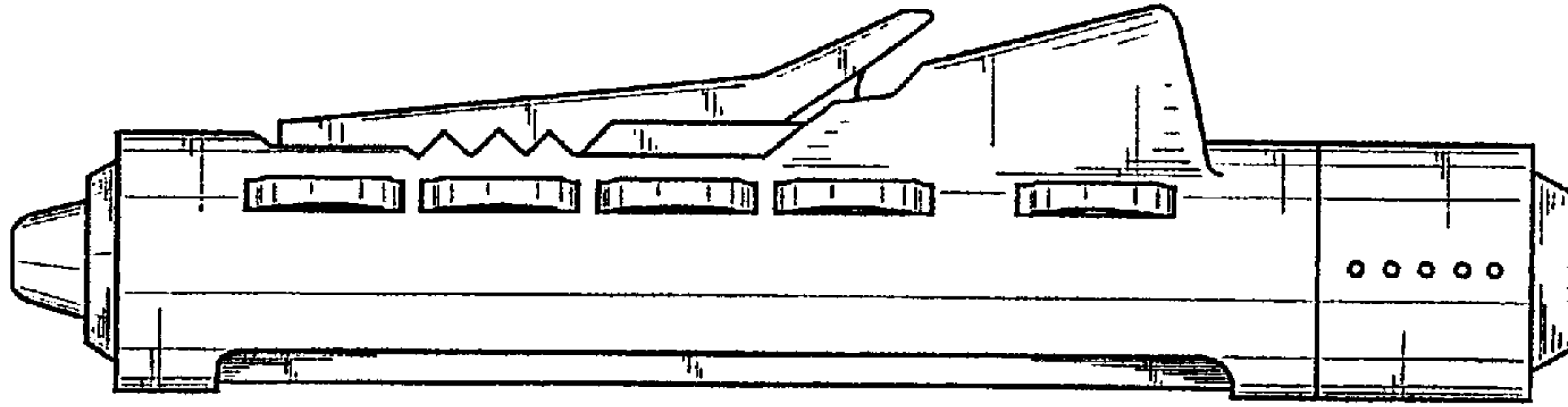


Fig. 6

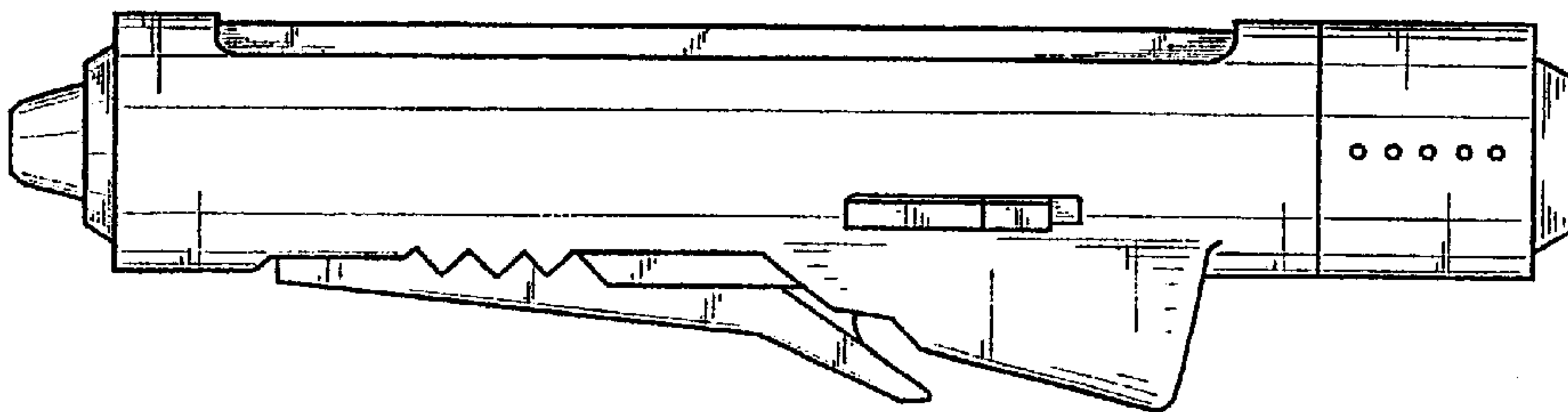


Fig. 7