



US00D450680B1

(12) **United States Design Patent**  
**Yuyama**

(10) **Patent No.:** **US D450,680 S**

(45) **Date of Patent:** **\*\* Nov. 20, 2001**

(54) **RADIO RECEIVER**

(75) Inventor: **Yasuo Yuyama**, Tokyo (JP)

(73) Assignee: **Sony Corporation**, Tokyo (JP)

(\*\*) Term: **14 Years**

(21) Appl. No.: **29/134,866**

(22) Filed: **Jan. 3, 2001**

(51) **LOC (7) Cl.** ..... **14-03**

(52) **U.S. Cl.** ..... **D14/198**

(58) **Field of Search** ..... D14/160-163,  
D14/165, 167-168, 188-189, 192-198,  
223; 455/344, 347, 350, 351

(56) **References Cited**

**U.S. PATENT DOCUMENTS**

D. 382,307	*	8/1997	Sharpe, III et al.	.....	D14/195
D. 396,722	*	8/1998	Benedetti	.....	D14/195
D. 414,491	*	9/1999	Kokkinis	.....	D14/171
D. 417,215	*	11/1999	Kokkinis	.....	D14/171
D. 427,177	*	6/2000	Yamazak	.....	D14/194
D. 435,536		12/2000	Ishibashi	.	

**OTHER PUBLICATIONS**

Catalog "Sony Mobile", 3 sheets, Sony Corporation, Spring/2000.

Catalog "95", p. 91, Sony Corporation, Jul. 2000.

\* cited by examiner

*Primary Examiner*—Nanda Bondade

(74) *Attorney, Agent, or Firm*—Rader, Fishman & Grauer, PLLC

(57) **CLAIM**

The ornamental design for a radio receiver, as shown and described.

**DESCRIPTION**

FIG. 1 is a perspective view of a radio receiver showing my new design;

FIG. 2 is a front elevational view thereof;

FIG. 3 is a rear elevational view thereof;

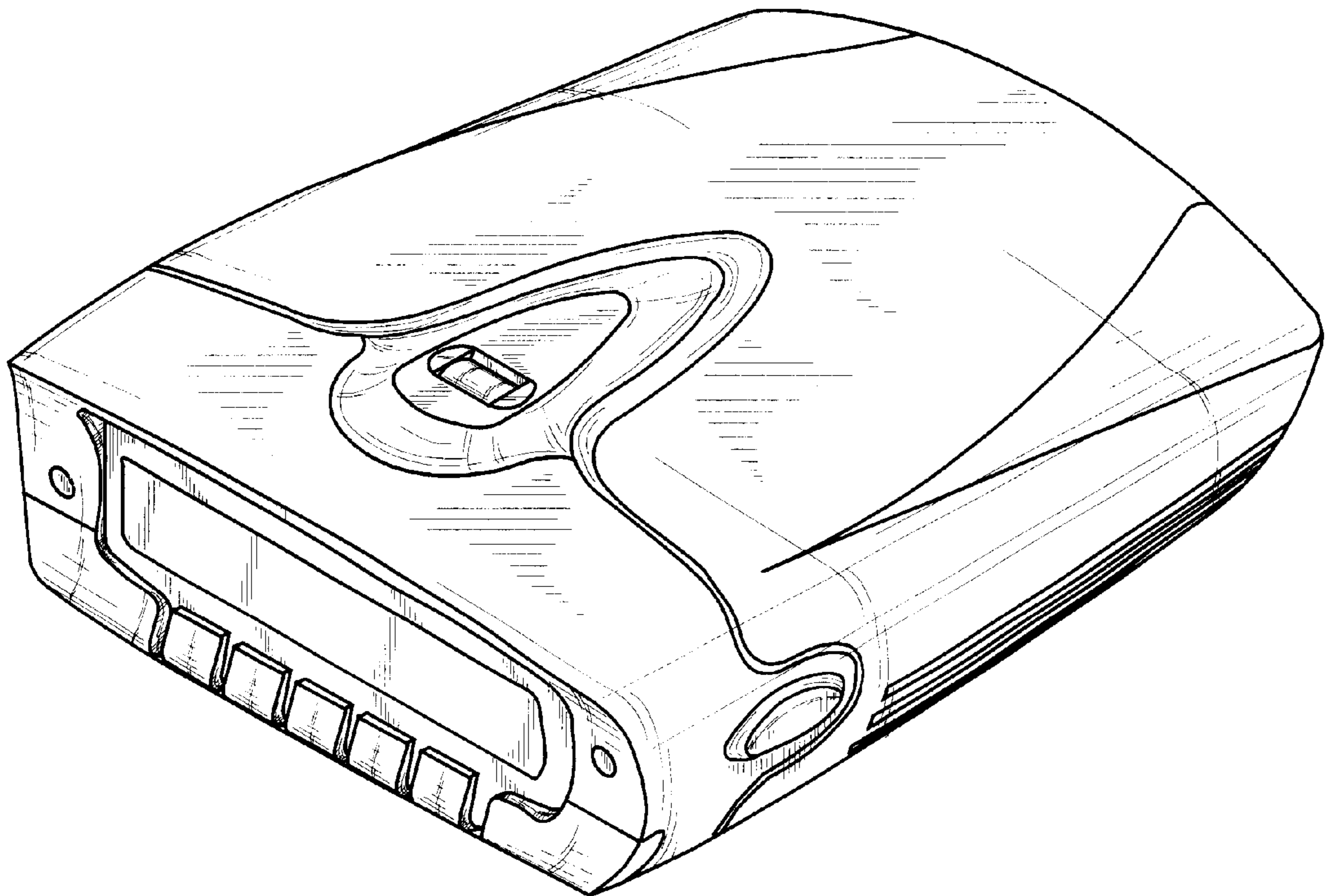
FIG. 4 is a right side elevational view thereof;

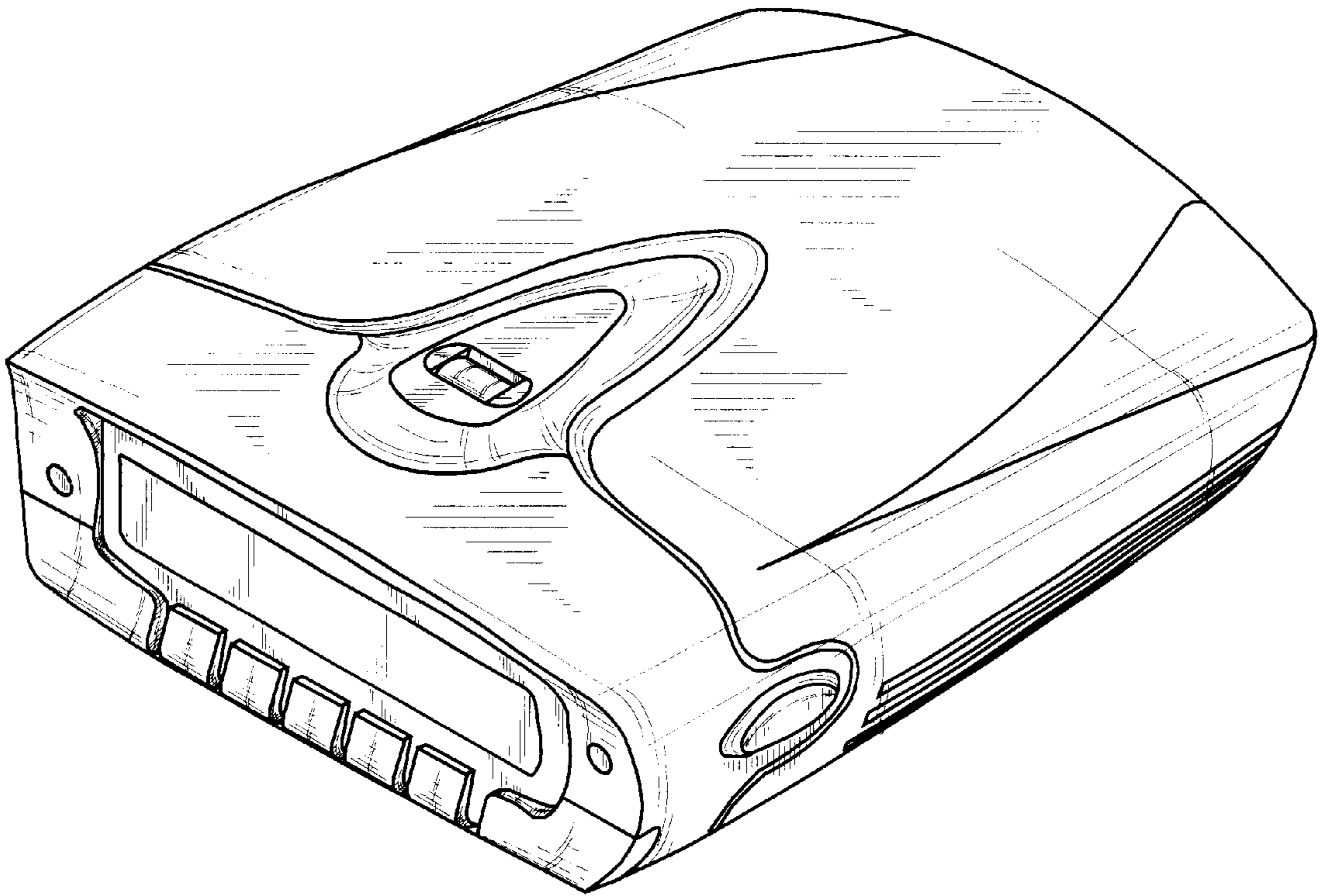
FIG. 5 is a left side elevational view thereof;

FIG. 6 is a top plan view thereof; and,

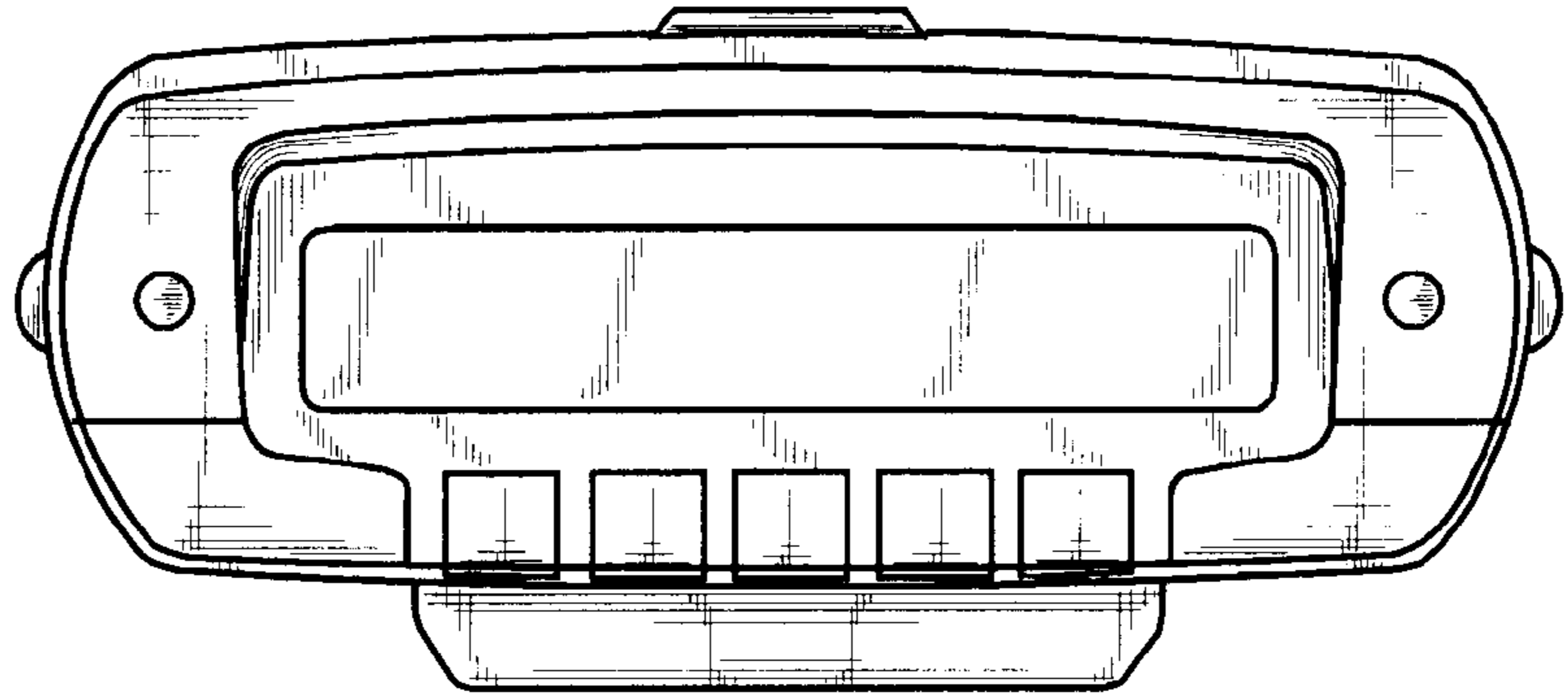
FIG. 7 is a bottom plan view thereof.

**1 Claim, 4 Drawing Sheets**

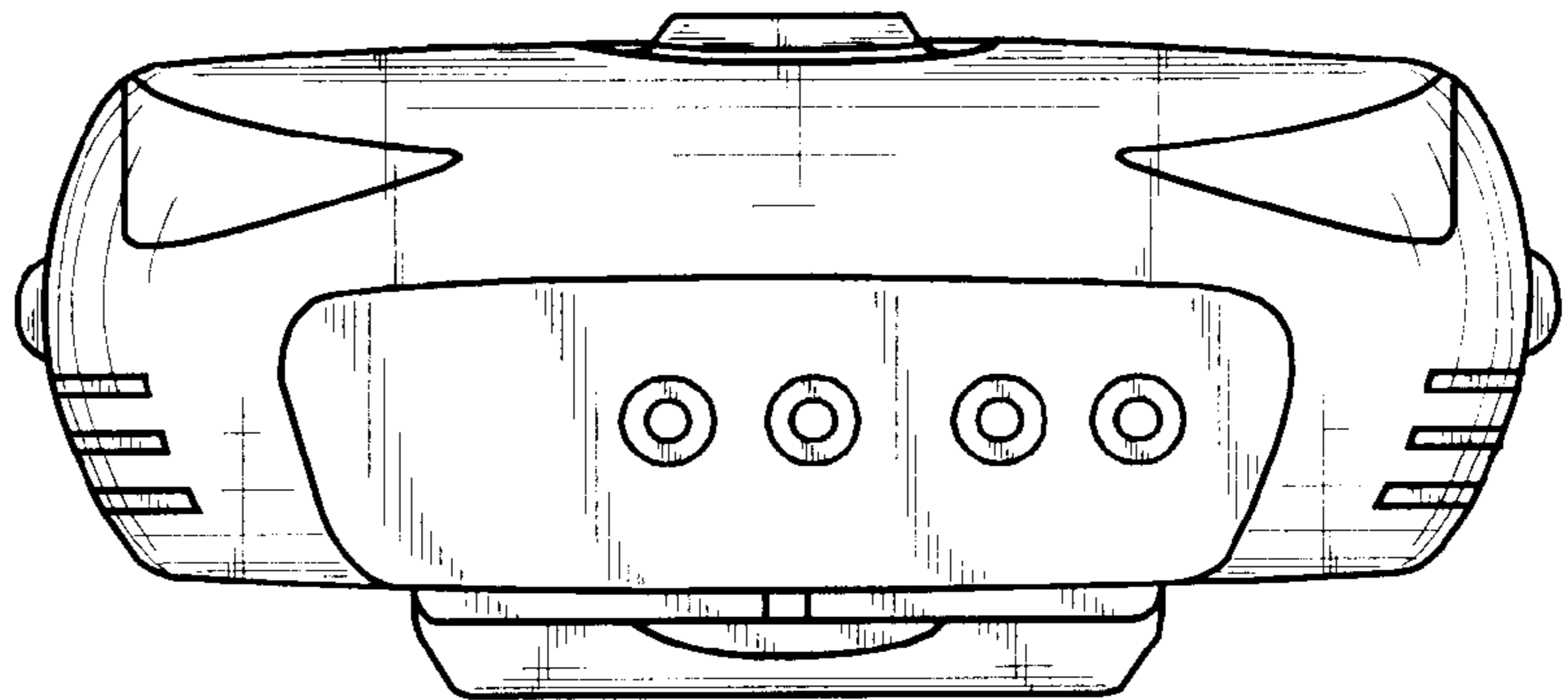




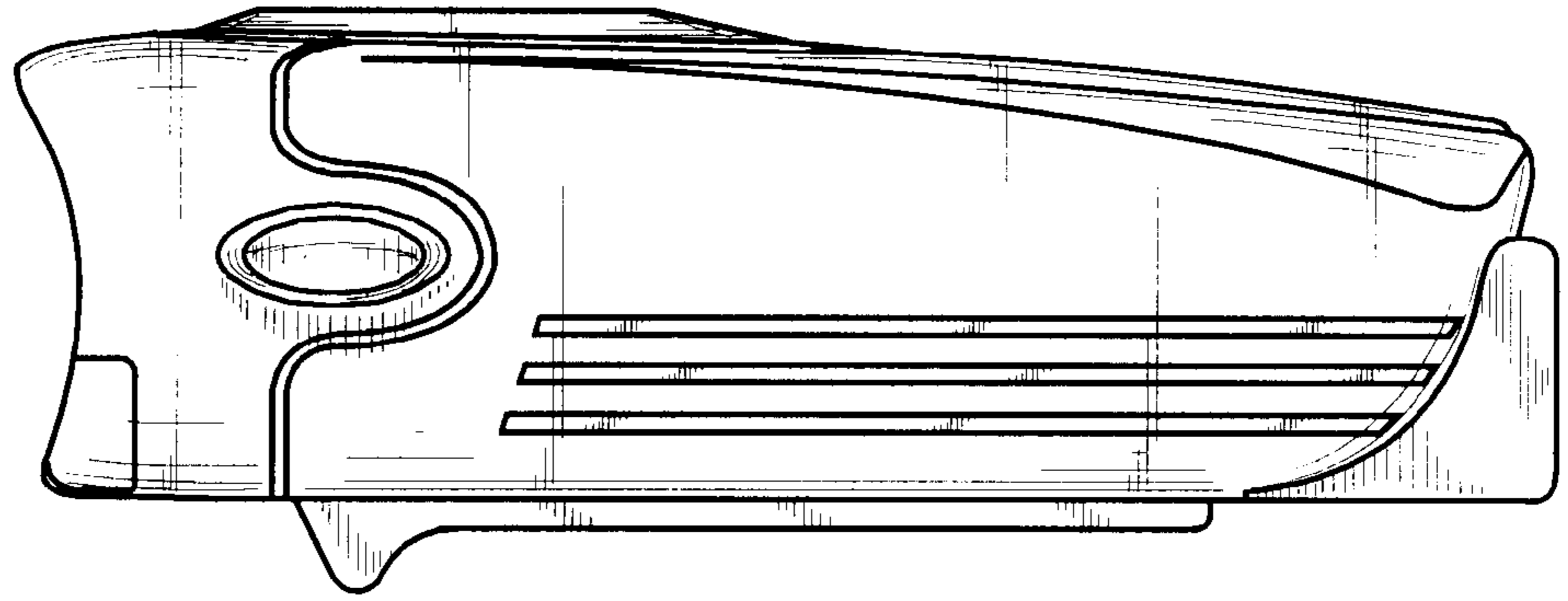
**Fig. 1**



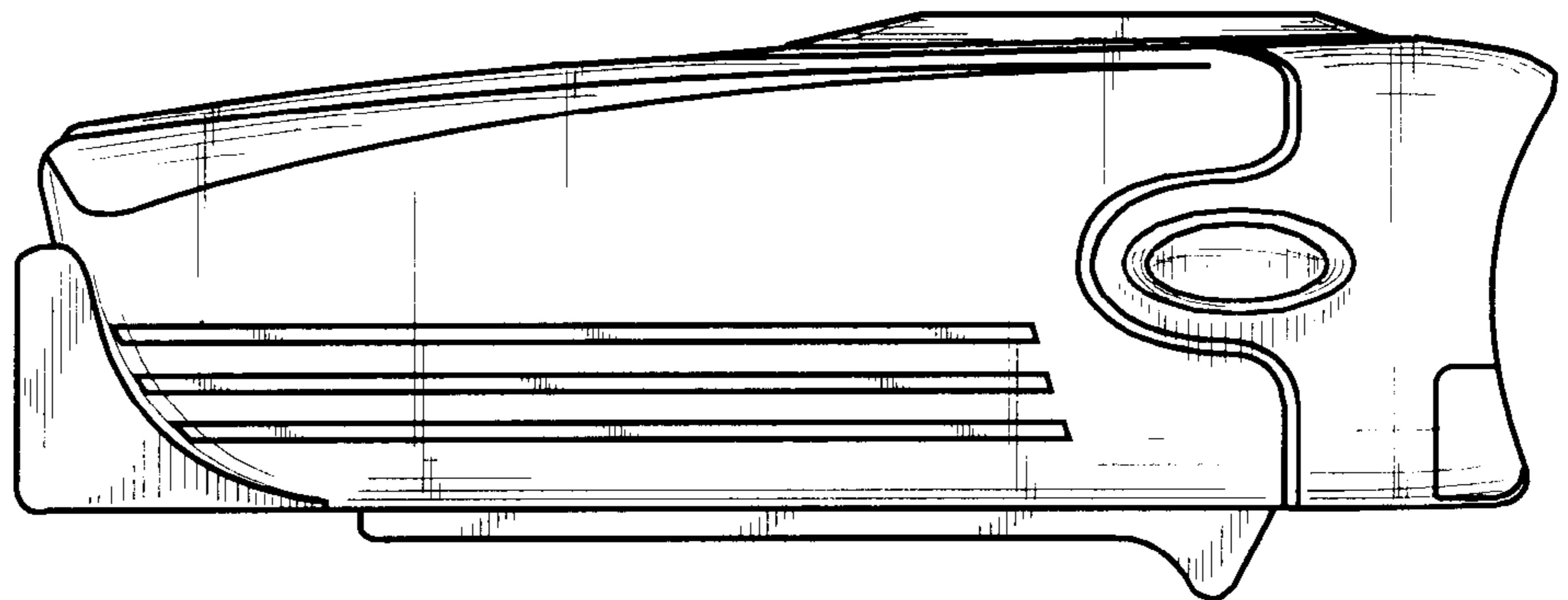
**Fig. 2**



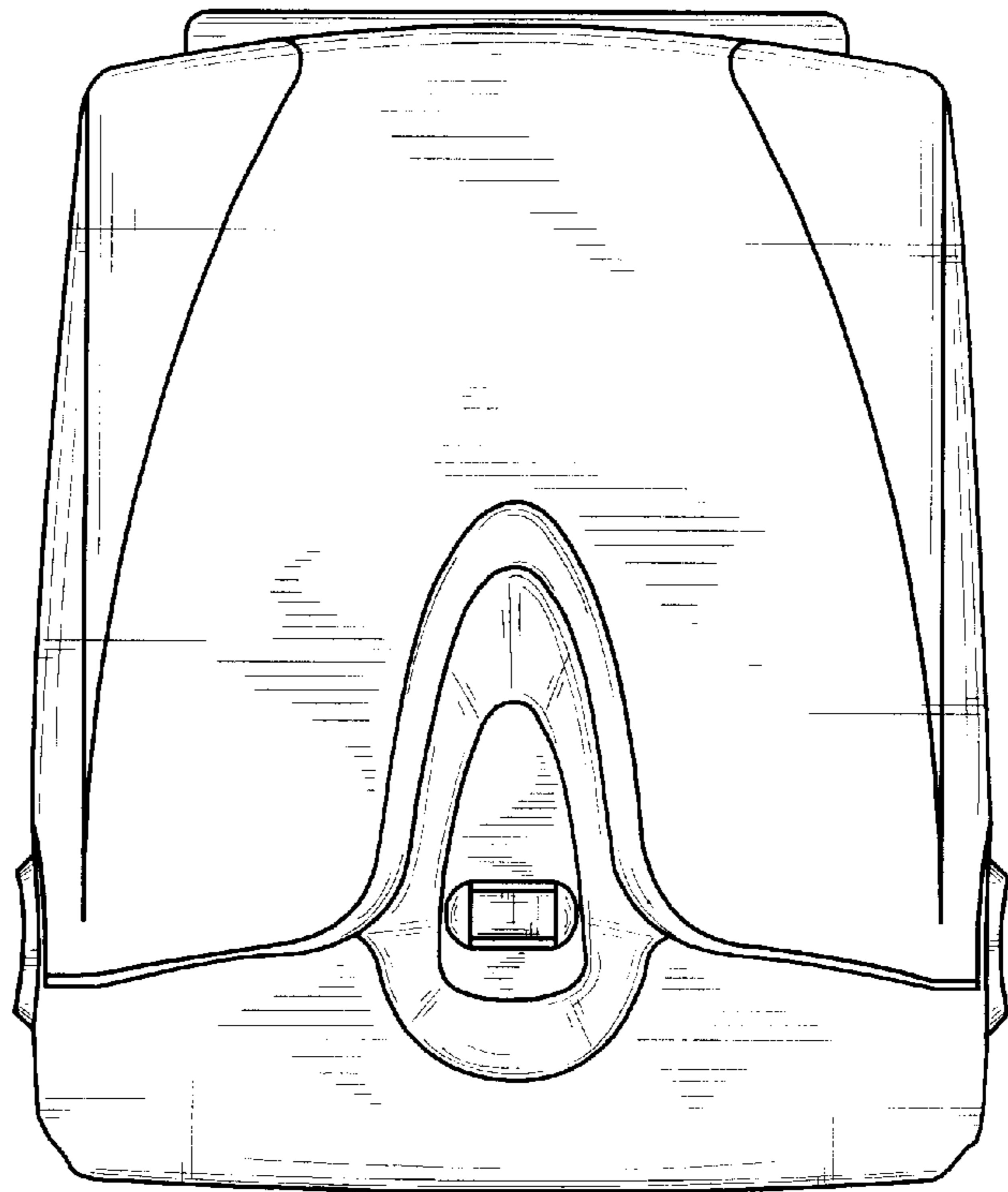
**Fig. 3**



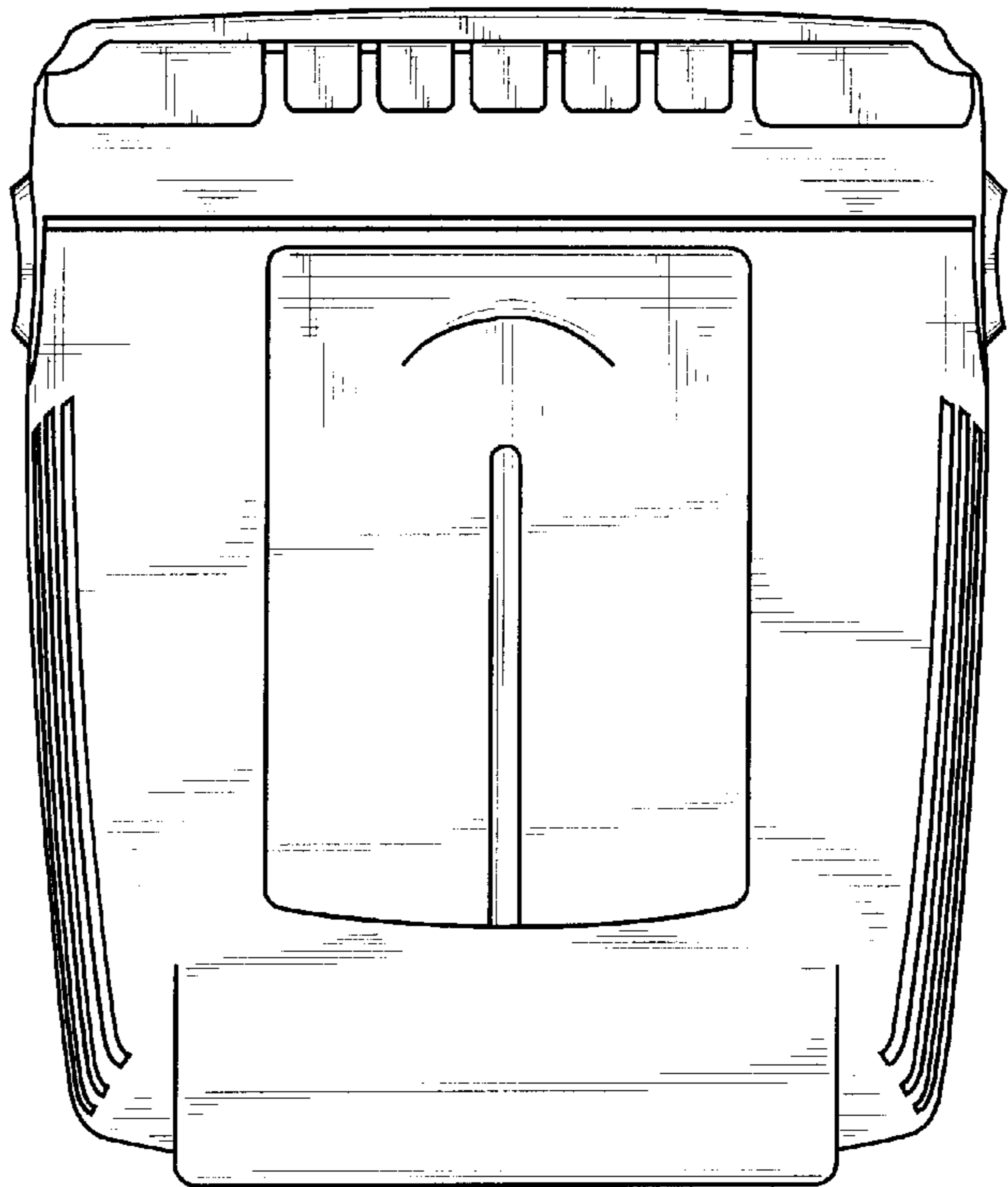
**Fig. 4**



**Fig. 5**



**Fig. 6**



**Fig. 7**