



US00D450677B1

(12) **United States Design Patent**  
**Solomita et al.**

(10) **Patent No.:** **US D450,677 S**

(45) **Date of Patent:** **\*\* Nov. 20, 2001**

(54) **CALLER ID SPEAKER TELEPHONE**

(75) Inventors: **Anthony Solomita**, Norwalk, CT (US);  
**Gerard A. Rutigliano**, Somers, NY  
(US); **James Nikolis**, Norwalk, CT  
(US)

(73) Assignee: **Conair Corporation**, Stamford, CT  
(US)

(\*\*) Term: **14 Years**

(21) Appl. No.: **29/133,071**

(22) Filed: **Nov. 21, 2000**

(51) **LOC (7) Cl.** ..... **14-03**

(52) **U.S. Cl.** ..... **D14/150; D14/144**

(58) **Field of Search** ..... D14/137, 141,  
D14/138, 218, 147-148, 247-248, 144,  
217, 341-347; 379/433.434, 419, 420, 428,  
440; 455/550-575, 90; D21/239; D13/168

(56) **References Cited**

**U.S. PATENT DOCUMENTS**

D. 237,195	*	10/1975	Kitai	.....	D18/7
D. 243,191	*	1/1977	Pemberton	.....	D18/7
D. 260,783	*	9/1981	Shimasaki	.....	D21/329
D. 313,401	*	1/1991	Tanabe	.....	D14/346
D. 317,755	*	6/1991	Lerude et al.	.....	D14/346
D. 335,892	*	5/1993	Onumata	.....	D18/7
D. 342,732		12/1993	Hinman et al.	.....	D14/150
D. 344,942	*	3/1994	Gilman et al.	.....	D14/155
D. 349,502		8/1994	Fan	.....	D14/240
D. 350,741	*	9/1994	Chen	.....	D14/150
D. 350,747		9/1994	McClendon	.....	D14/150
D. 355,644	*	2/1995	Risko	.....	D14/346
D. 359,920	*	7/1995	Sakamoto	.....	D10/65
D. 361,331	*	8/1995	Bryant	.....	D14/149
D. 364,618		11/1995	Somoza	.....	D14/142
D. 372,480		8/1996	Bungardt	.....	D14/247
D. 376,351	*	12/1996	Matsumoto	.....	D14/346
D. 376,822	*	12/1996	Osterhout	.....	D21/329
D. 377,015		12/1996	Ford et al.	.....	D14/149
D. 381,332	*	7/1997	Biasotti et al.	.....	D14/150
D. 391,953		3/1998	Copeland et al.	.....	D14/137
D. 391,955		3/1998	Nagele et al.	.....	D14/150
D. 396,716		8/1998	Matsuda et al.	.....	D14/150

D. 399,842		10/1998	Matsuda et al.	.....	D14/150
D. 403,667		1/1999	Musha	.....	D14/100
D. 406,841		3/1999	Myung	.....	D14/150
D. 407,702		4/1999	Biasotti et al.	.....	D14/141
D. 409,189		5/1999	Mavrakis et al.	.....	D14/147
D. 413,597	*	9/1999	Oba	.....	D14/144
D. 422,587	*	4/2000	Wild	.....	D14/138
D. 424,549		5/2000	Choi	.....	D14/117.3
D. 433,017	*	10/2000	Martinez	.....	D14/346
D. 433,671	*	11/2000	Fitzgerald	.....	D14/142
D. 441,733	*	5/2001	Do et al.	.....	D14/138
D. 442,569	*	5/2001	Hanna et al.	.....	D14/138
4,754,484	*	6/1988	Larkin et al.	.....	379/430
5,889,859	*	3/1999	Lundell et al.	.....	379/428

**OTHER PUBLICATIONS**

Hello Direct Spring 2000, p. 25, IBM belt pack at bottom right.\*

Hello Direct Spring 2000, p. 48, Bell Equipment SONECOR headset phone, 2nd from bottom right.\*

\* cited by examiner

*Primary Examiner*—Jeffrey Asch

(74) *Attorney, Agent, or Firm*—Ohlandt, Greeley, Ruggiero & Perle, LLP

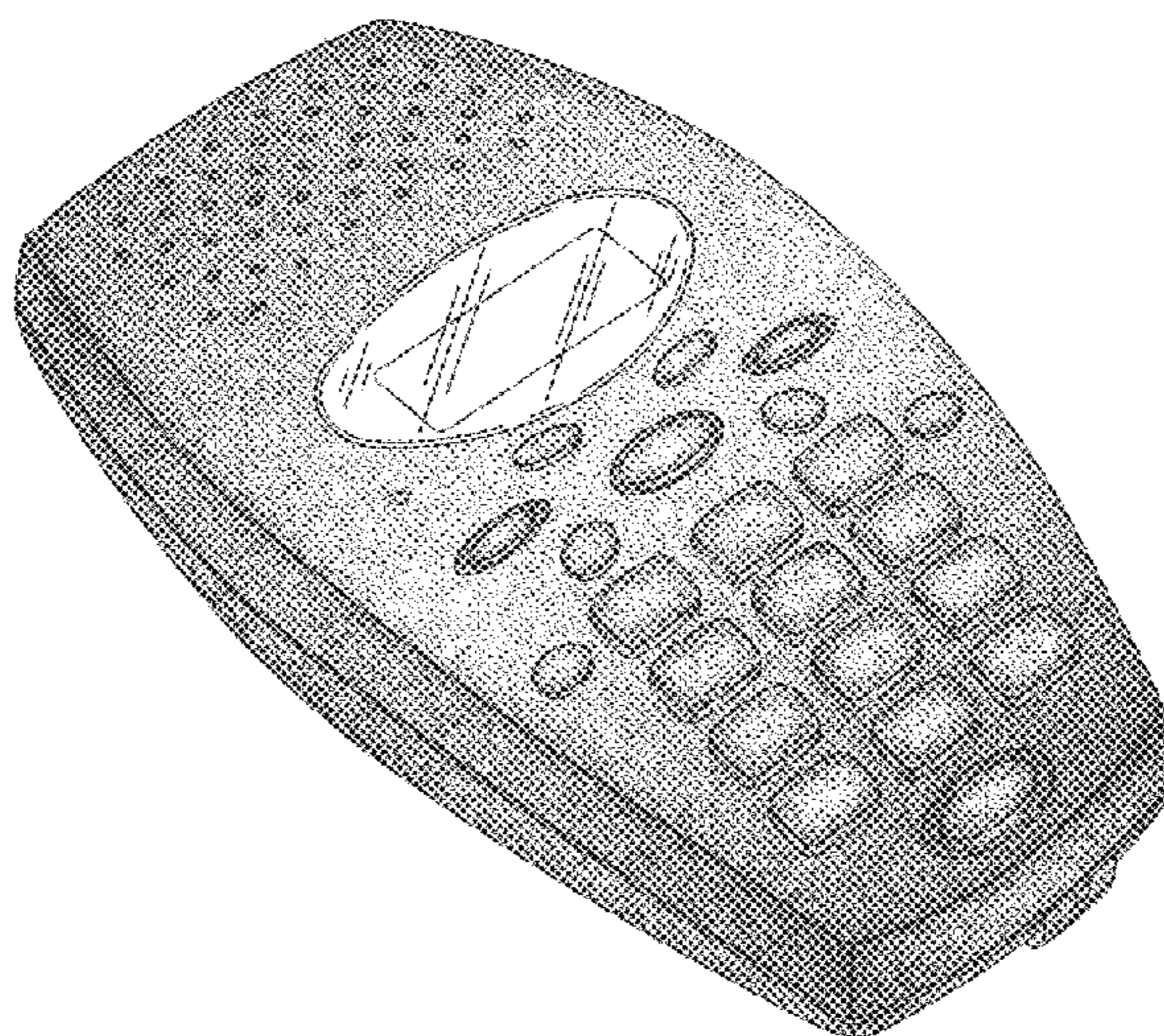
(57) **CLAIM**

The ornamental design for a caller ID speaker telephone, as shown and described.

**DESCRIPTION**

FIG. 1 is a perspective view of a caller ID speaker telephone according to the present invention; FIG. 2 is a top view of the caller ID speaker telephone of FIG. 1; FIG. 3 is a bottom view of the caller ID speaker telephone of FIG. 1; FIG. 4 is a first side view of the caller ID speaker telephone of FIG. 1; FIG. 5 is a second, opposite side view of the caller ID speaker telephone of FIG. 1; FIG. 6 is a first end view of the caller ID speaker telephone of FIG. 1; and, FIG. 7 is a second, opposite end view of the caller ID speaker telephone of FIG. 1.

**1 Claim, 5 Drawing Sheets**



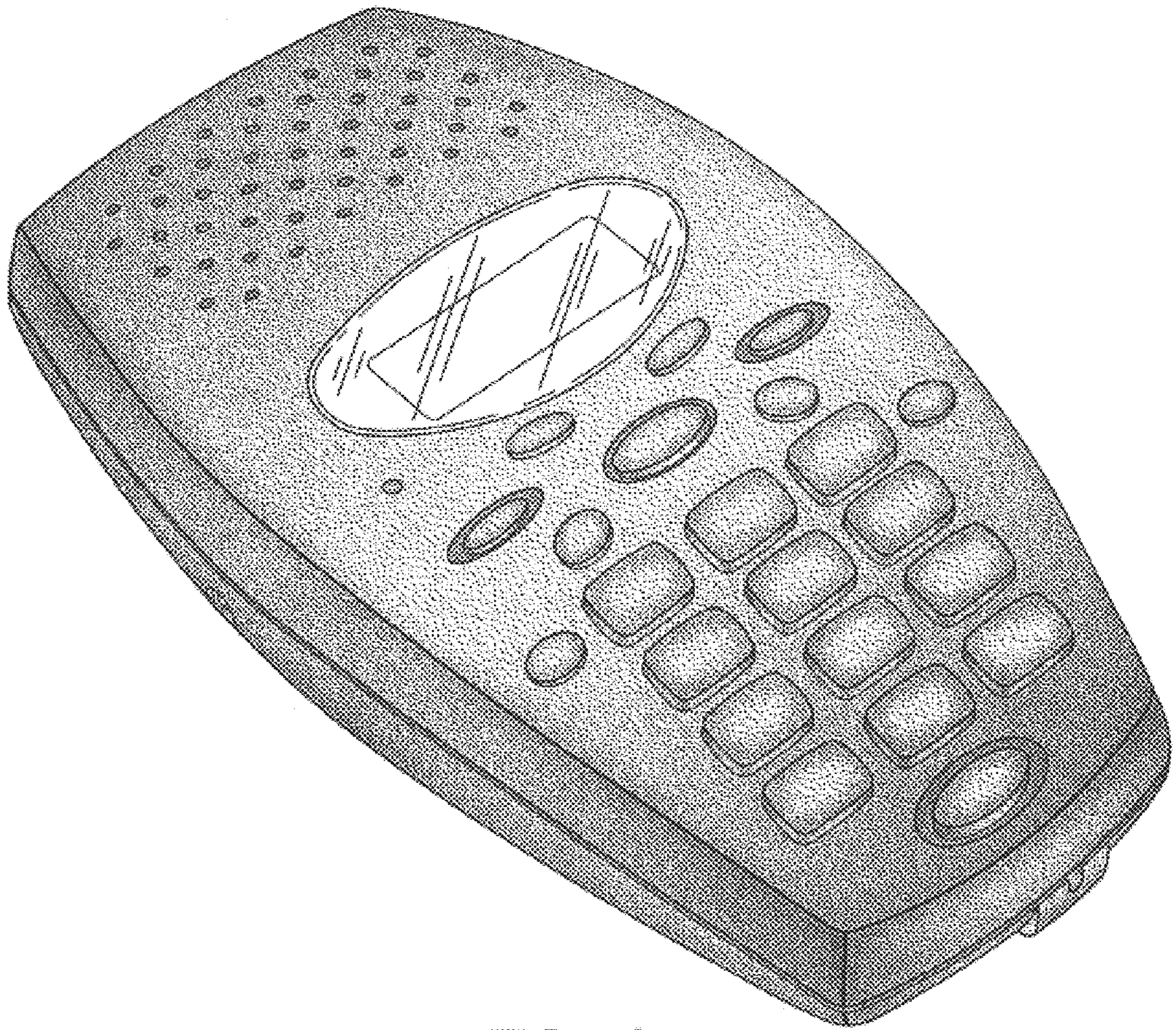
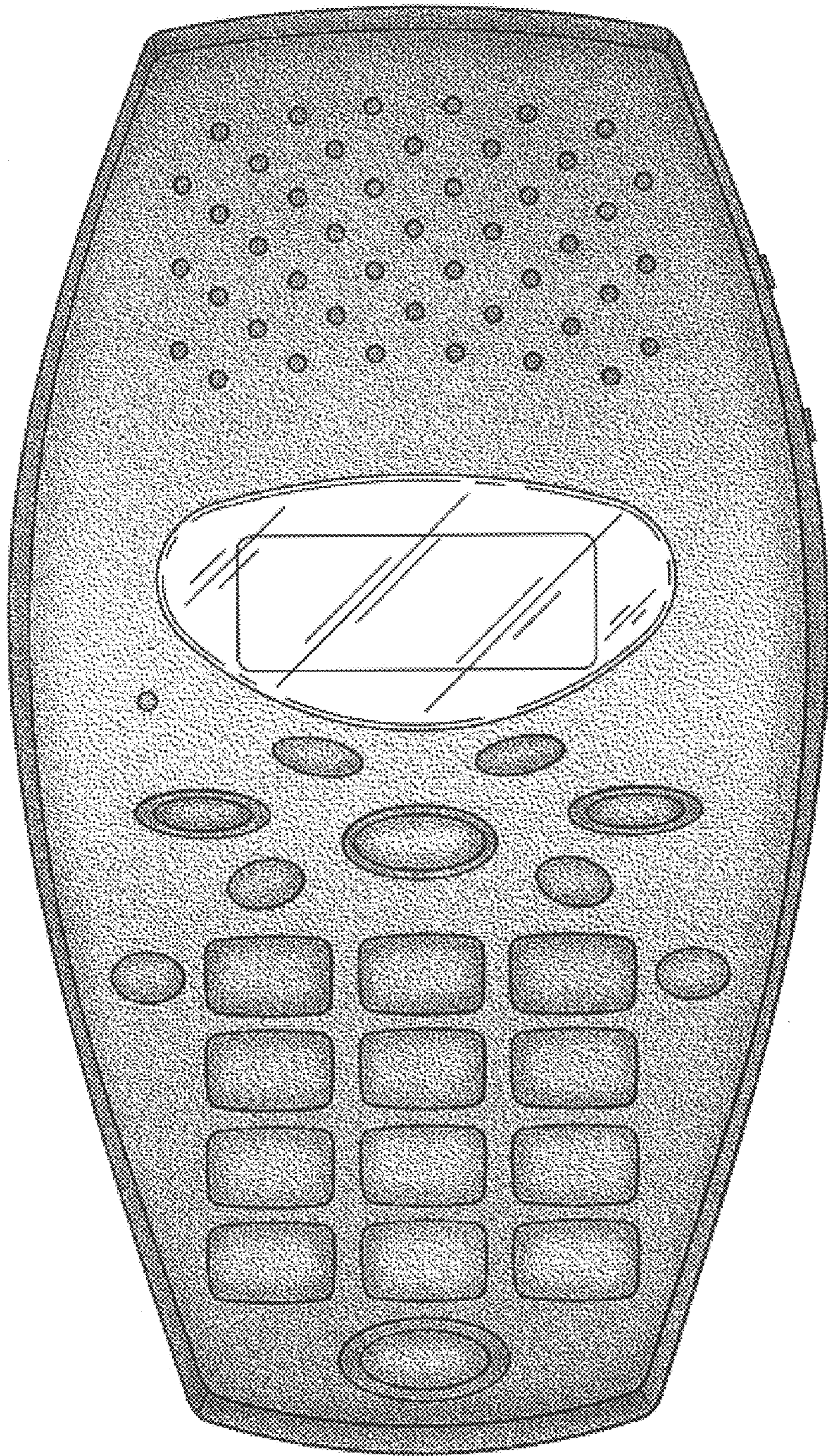
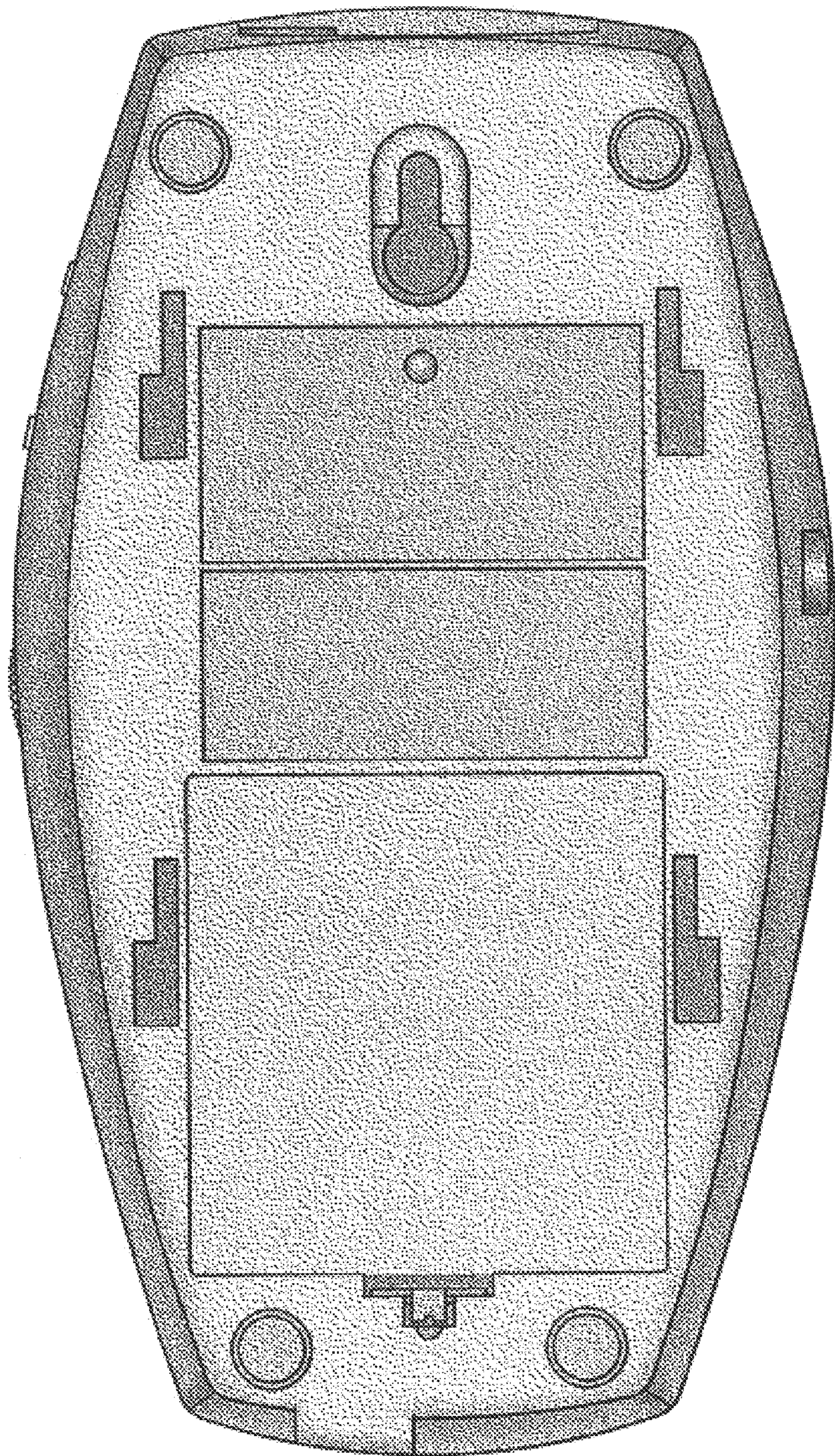


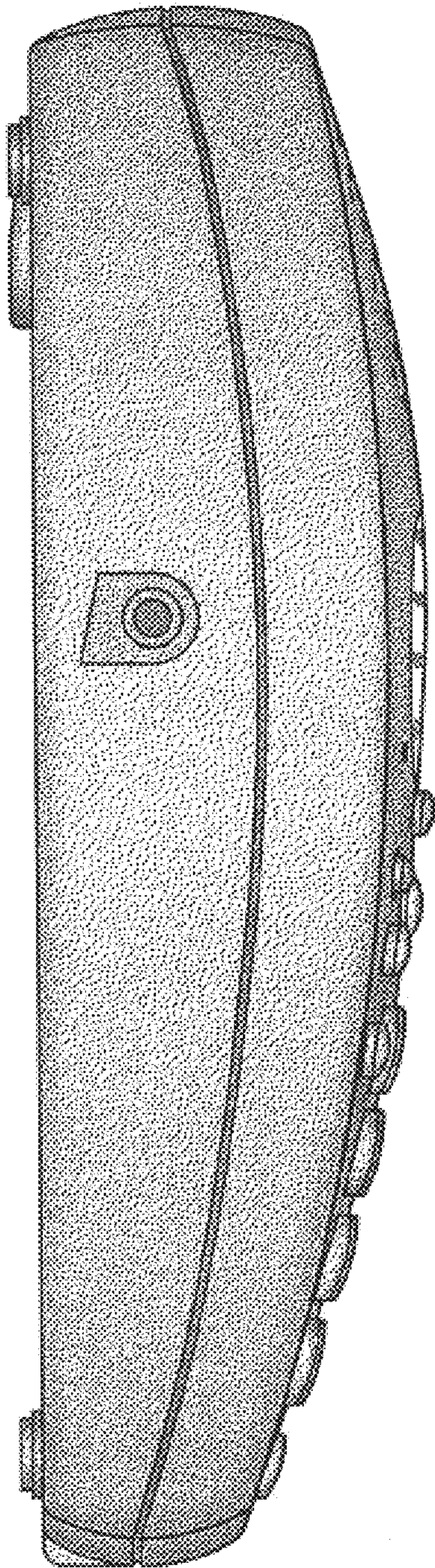
FIG. 1



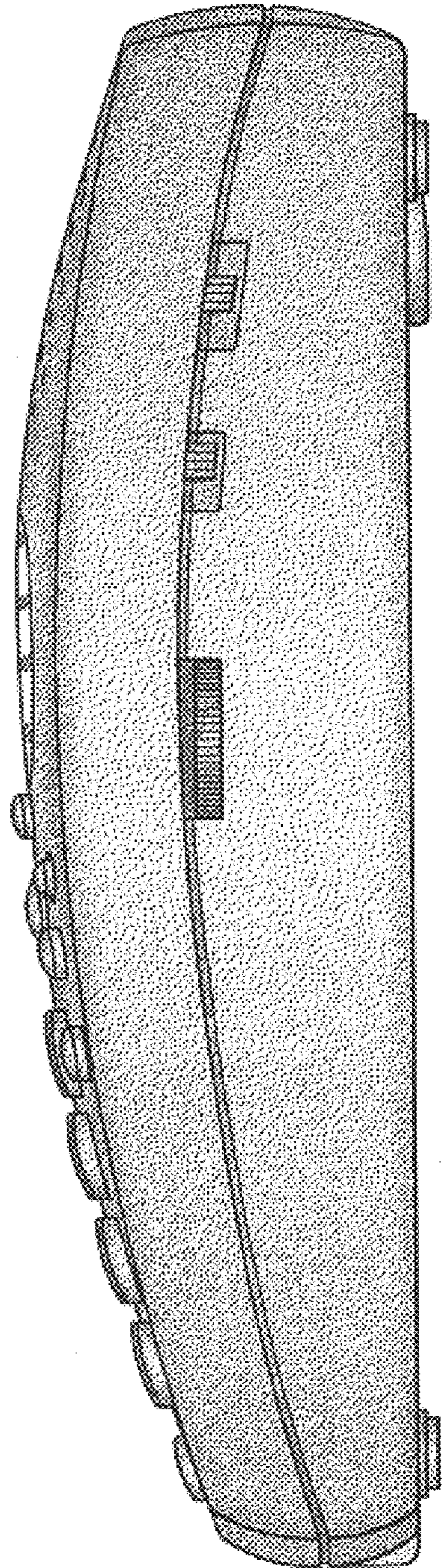
**FIG. 2**



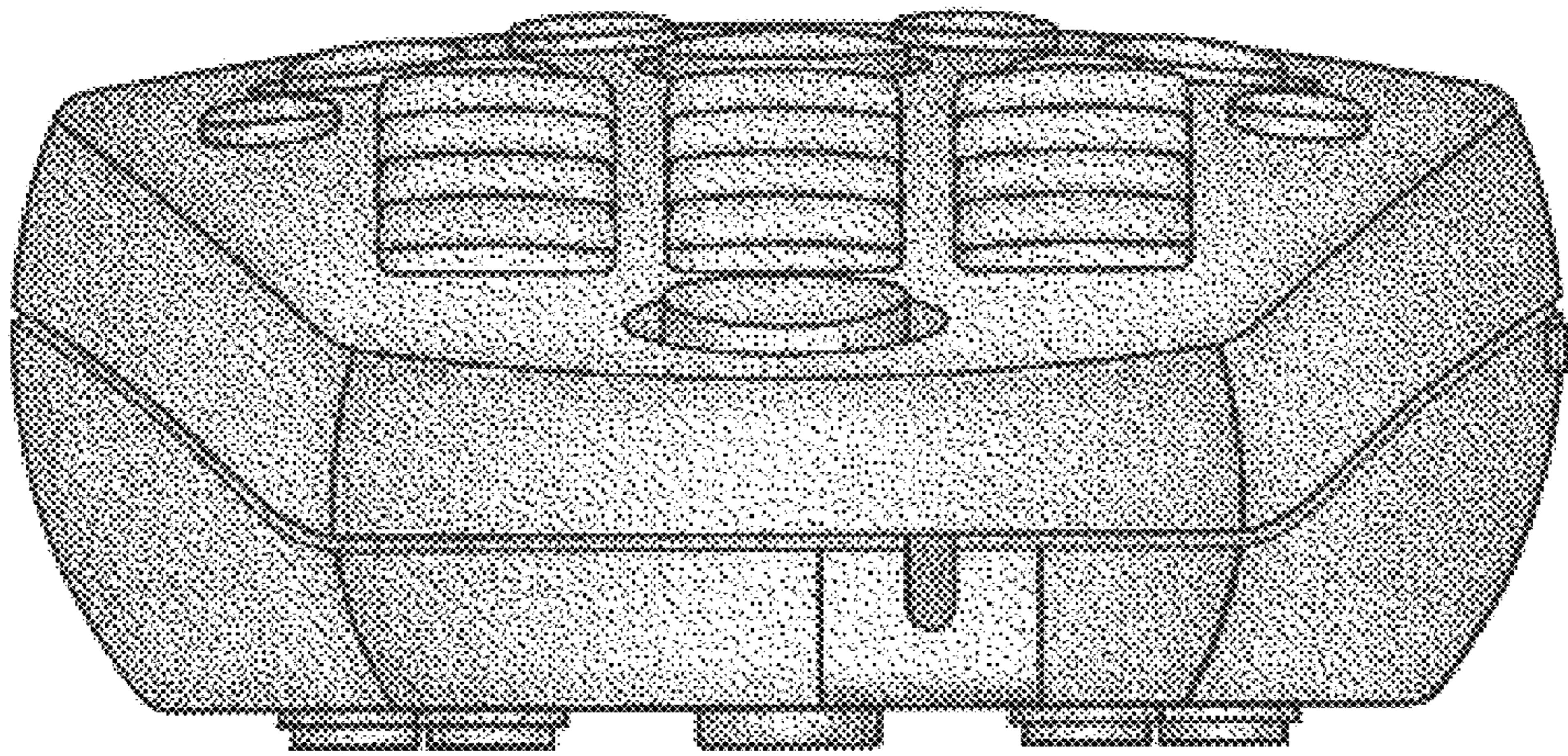
**FIG. 3**



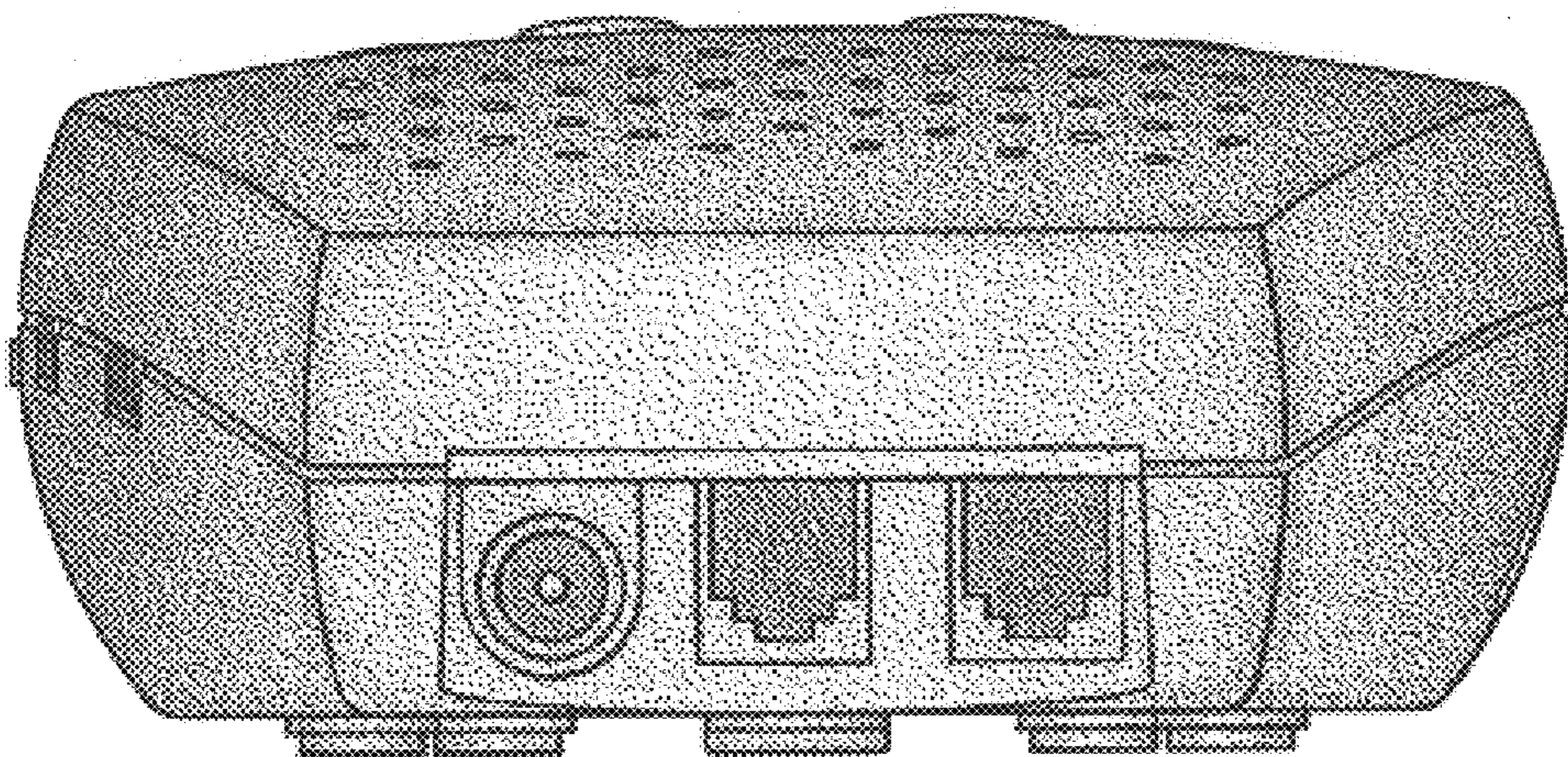
**FIG. 4**



**FIG. 5**



**FIG. 6**



**FIG. 7**