



US00D450675B1

(12) **United States Design Patent**
Kim et al.

(10) **Patent No.: US D450,675 S**

(45) **Date of Patent: ** Nov. 20, 2001**

(54) **CELLULAR TELEPHONE**

(75) Inventors: **Young S. Kim**, Los Altos; **Antonio L. Indindoli**, Gilroy, both of CA (US)

(73) Assignee: **Inno Design, Inc.**, Palo Alto, CA (US)

(**) Term: **14 Years**

(21) Appl. No.: **29/138,582**

(22) Filed: **Mar. 16, 2001**

(51) **LOC (7) Cl.** **14-03**

(52) **U.S. Cl.** **D14/138**

(58) **Field of Search** D14/137, 240,
D14/138, 218, 147-148, 247-248, 144,
426, 341-347; 379/433.434, 419, 420, 428,
440; 455/550-575, 90; D13/168

(56) **References Cited**

U.S. PATENT DOCUMENTS

D. 253,234	*	10/1979	Cooke	D13/168
D. 345,355	*	3/1994	Konno et al.	D14/138
D. 345,555	*	3/1994	Yokouchi et al.	D14/138
D. 346,171	*	4/1994	Ratcliffe	D14/248
D. 376,594	*	12/1996	Hogg et al.	D14/148
D. 383,130	*	9/1997	Waldner	D14/138
D. 390,509	*	2/1998	Antzinas et al.	D14/138
D. 407,703	*	4/1999	Stokes	D14/147

D. 407,709	*	4/1999	Stokes	D14/248
D. 412,169	*	7/1999	Schnell, III et al.	D14/138
D. 430,158	*	8/2000	Bhatia et al.	D14/341
D. 430,159	*	8/2000	Bhatia et al.	D14/341
D. 433,416	*	11/2000	Strand et al.	D14/426
D. 436,104	*	1/2001	Bhatia et al.	D14/341
D. 440,954	*	4/2001	Boling et al.	D14/138
D. 442,157	*	5/2001	Muenschler et al.	D14/138
6,128,515	*	10/2000	Kabler et al.	455/566

* cited by examiner

Primary Examiner—Jeffrey Asch

(74) *Attorney, Agent, or Firm*—Flehr Hohbach Test Albritton & Herbert LLP

(57) **CLAIM**

The ornamental design for a cellular telephone, as shown and described.

DESCRIPTION

FIG. 1 is a perspective view of the cellular telephone showing the top;

FIG. 2 is a perspective view of the cellular telephone showing the bottom;

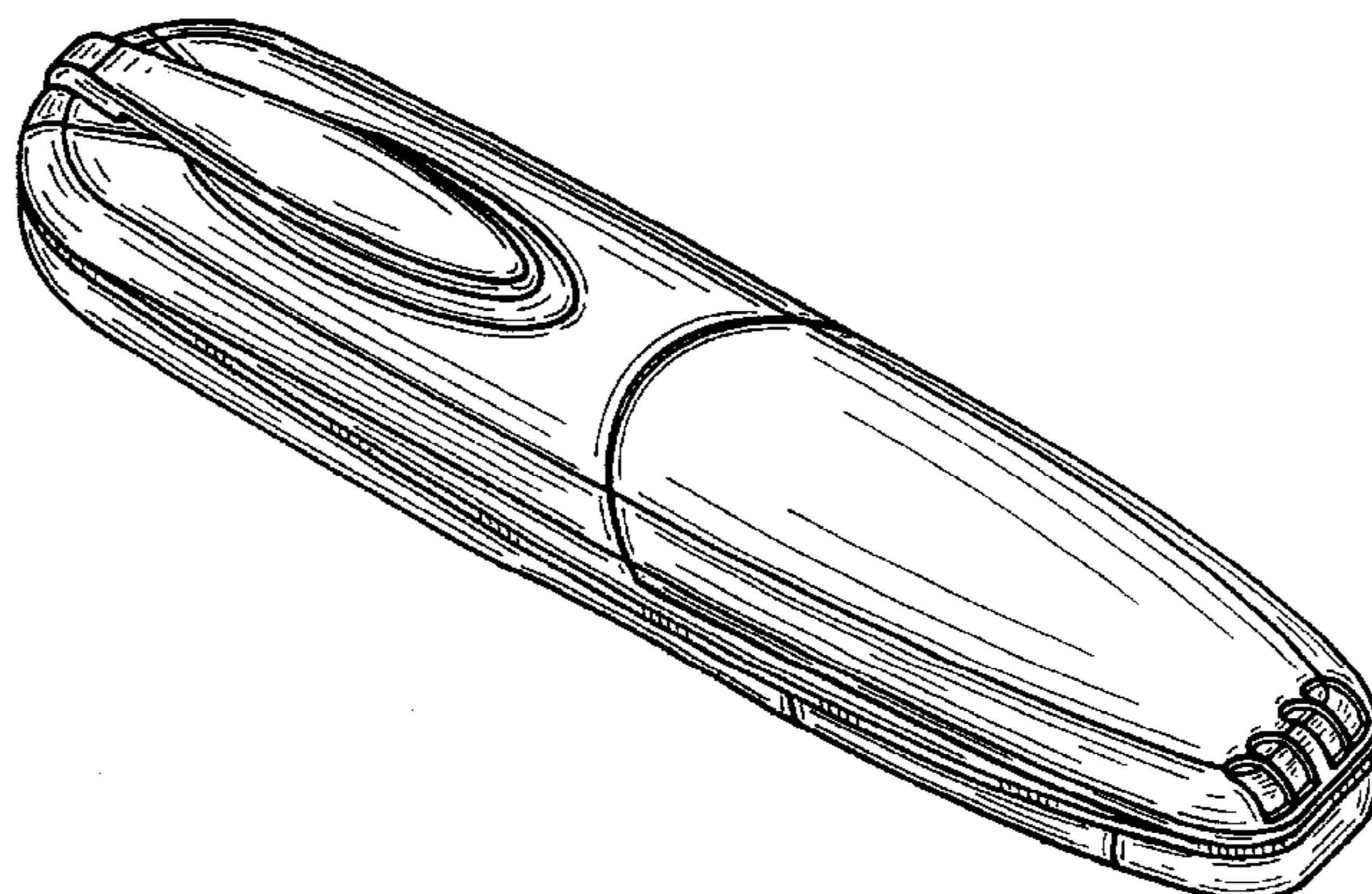
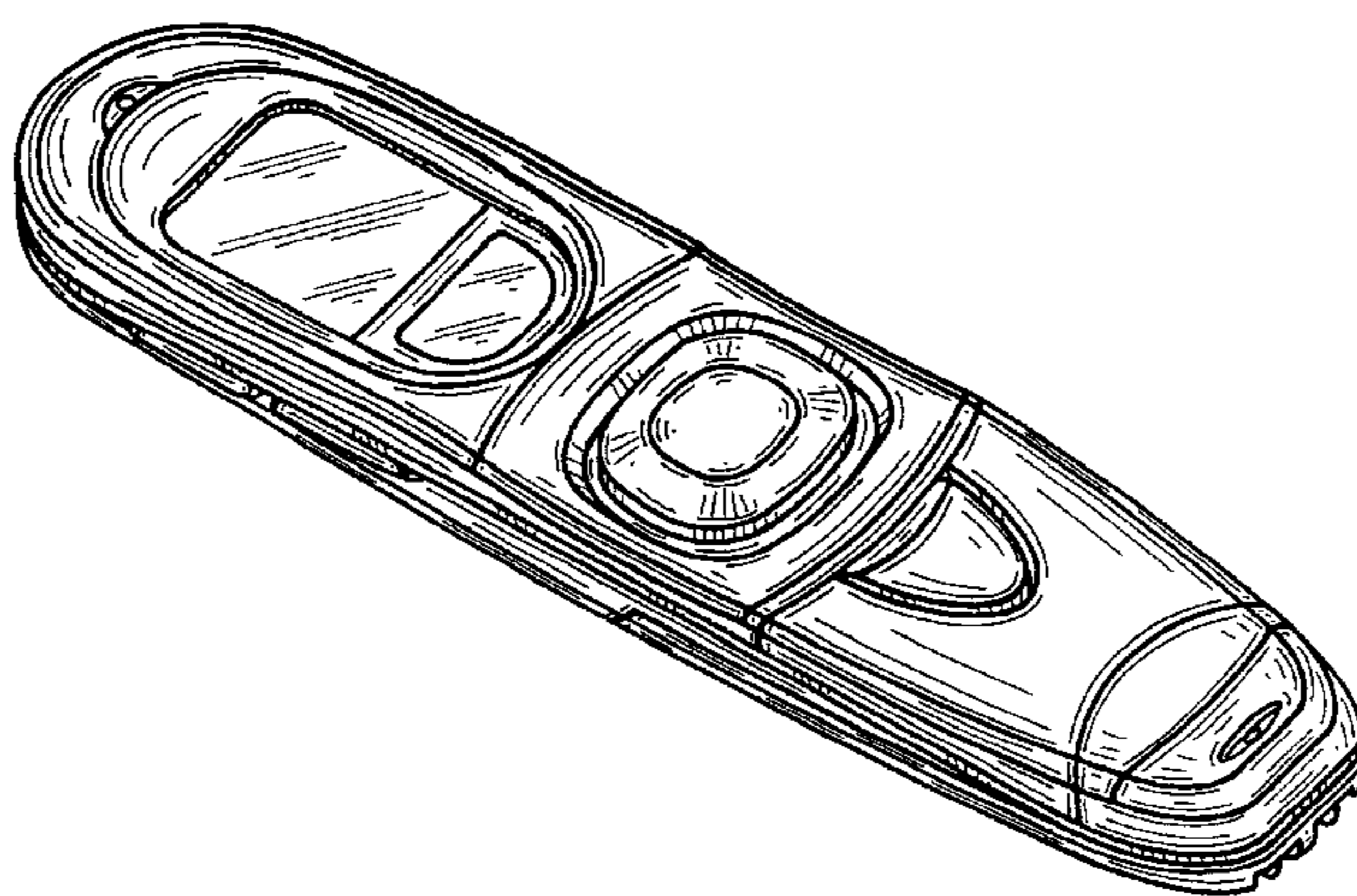
FIG. 3 is a top plan view of the cellular telephone;

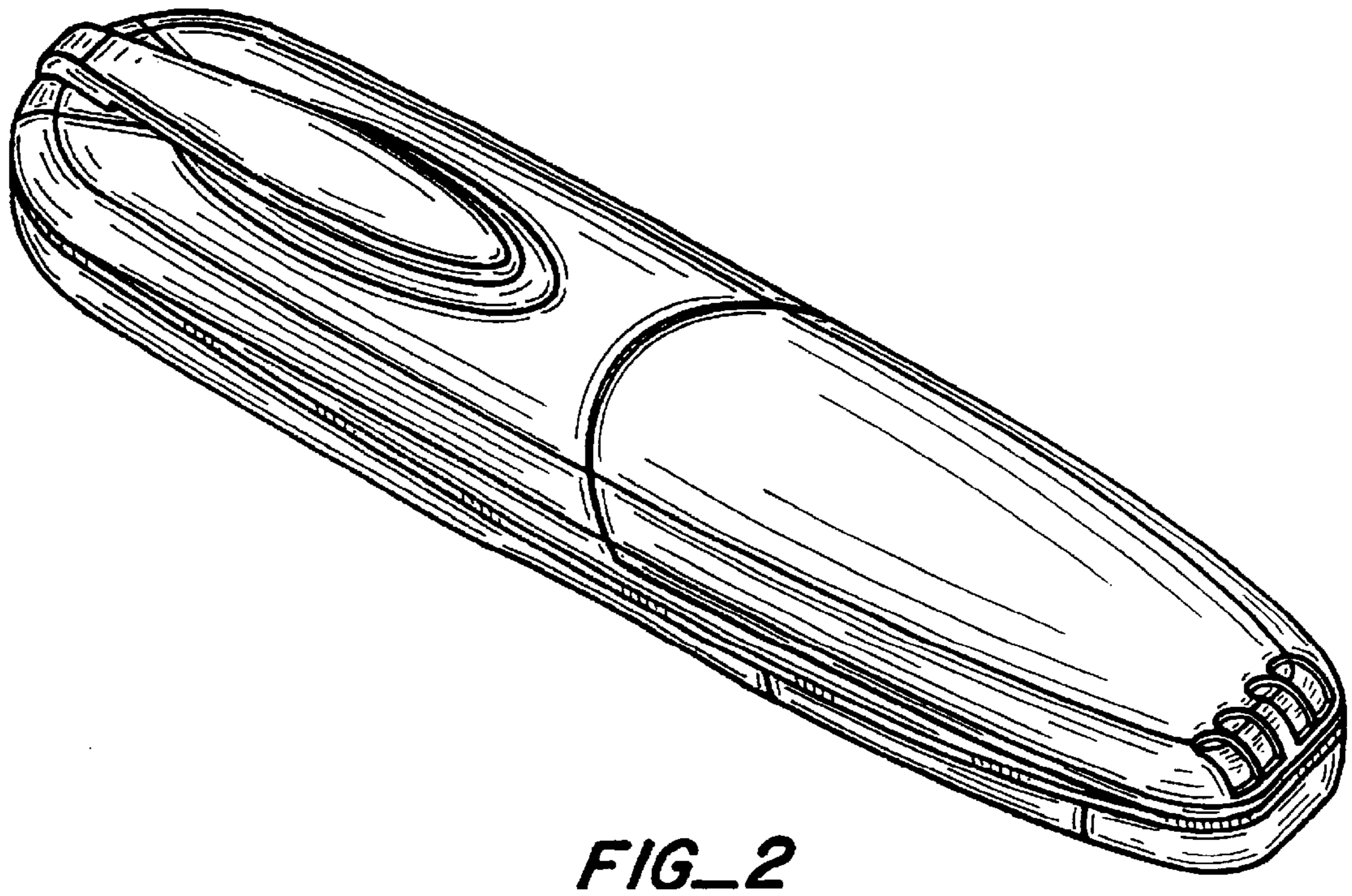
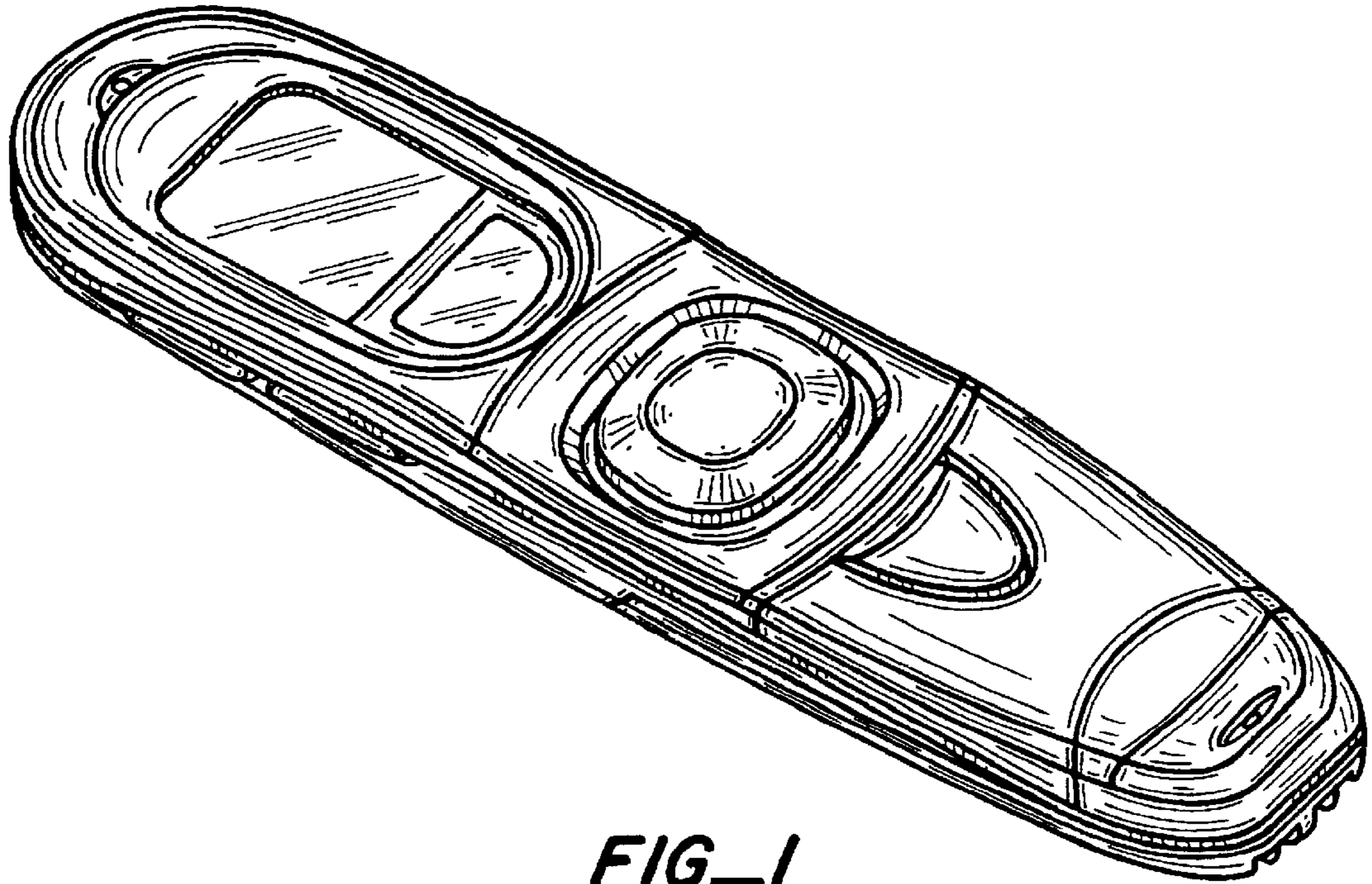
FIG. 4 is a bottom plan view of the cellular telephone;

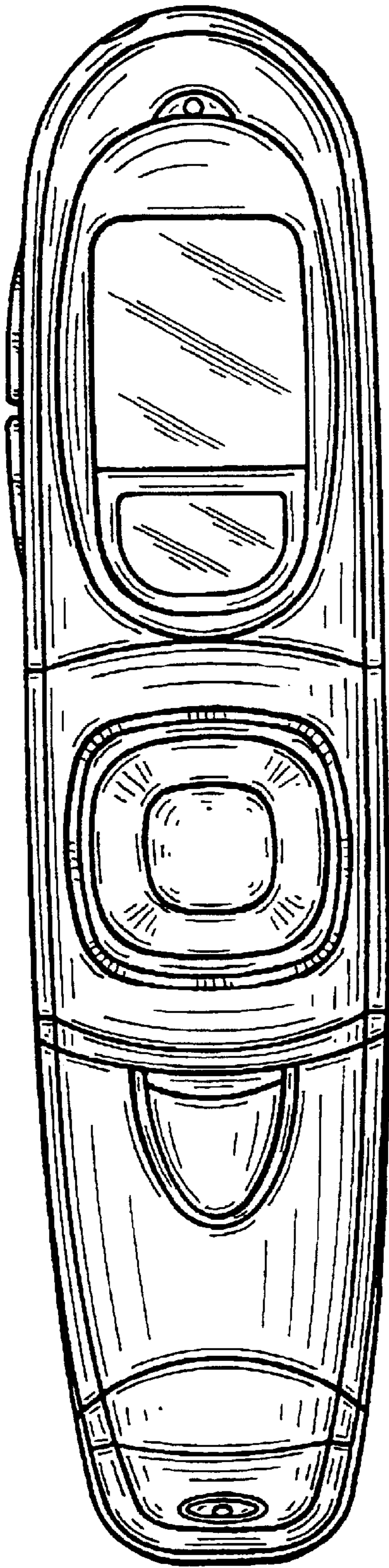
FIG. 5 is an end view of the cellular telephone; and,

FIG. 6 is a left side view of the cellular telephone thereof.

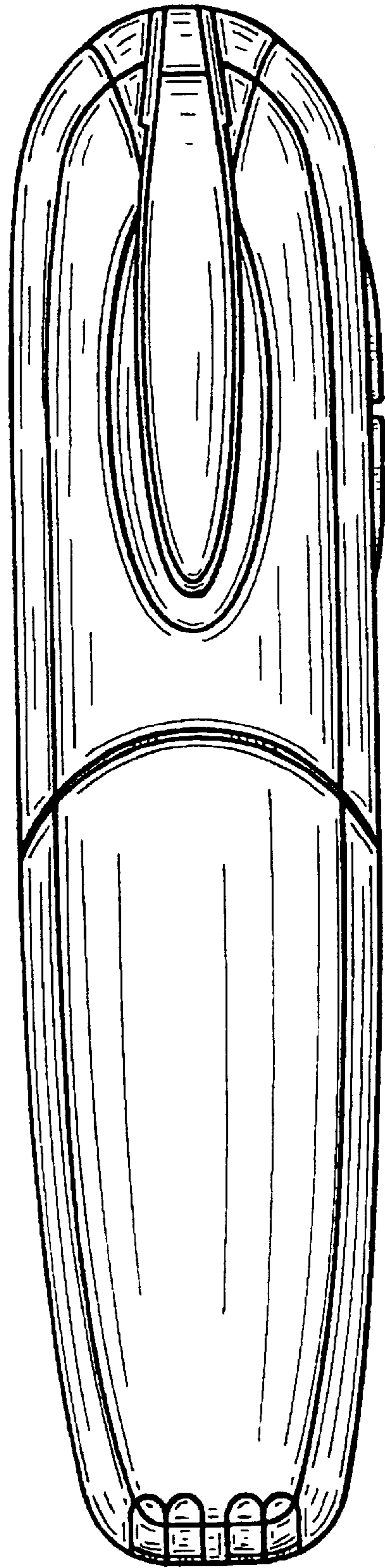
1 Claim, 3 Drawing Sheets



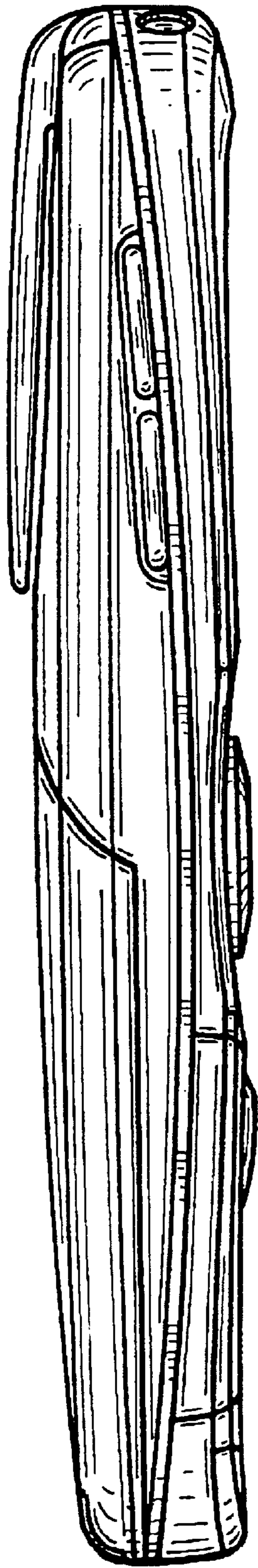




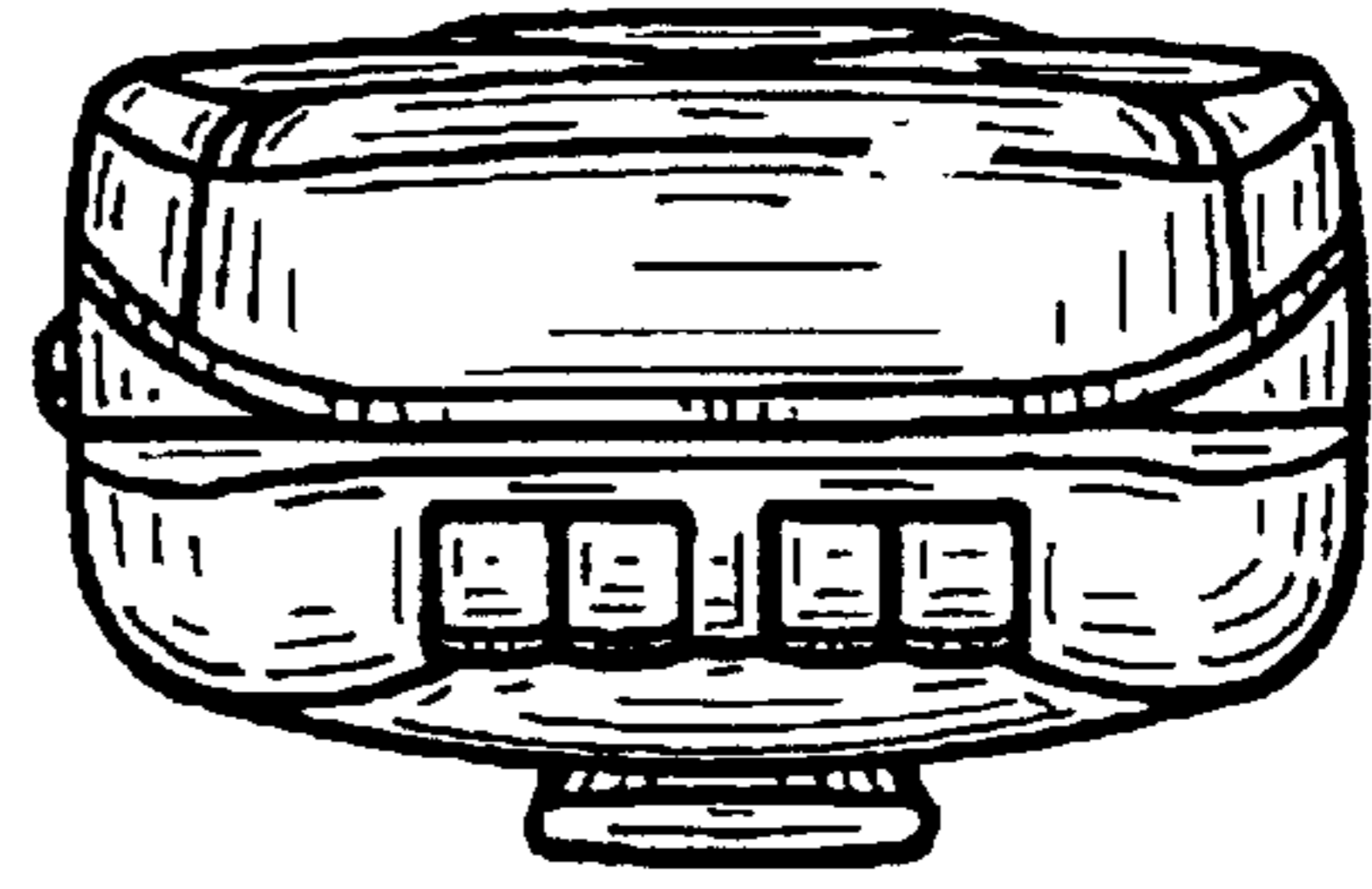
FIG_3



FIG_4



FIG_6



FIG_5