



US00D450669B1

(12) **United States Design Patent**
Lytel

(10) **Patent No.:** **US D450,669 S**

(45) **Date of Patent:** **** Nov. 20, 2001**

(54) **TELEVISION RECEIVER**

(75) **Inventor:** **Ronald L. Lytel**, New York, NY (US)

(73) **Assignees:** **Sony Corporation**, Tokyo (JP); **Sony Electronics, Inc.**, Park Ridge, NJ (US)

(**) **Term:** **14 Years**

(21) **Appl. No.:** **29/115,289**

(22) **Filed:** **Dec. 10, 1999**

(51) **LOC (7) Cl.** **14-03**

(52) **U.S. Cl.** **D14/126**

(58) **Field of Search** D14/125-129,
D14/131-136, 371, 374-382; 312/7.2; 348/836,
838, 825

(56) **References Cited**

U.S. PATENT DOCUMENTS

D. 256,920	*	9/1980	Takashima et al.	D14/126
D. 295,516	*	5/1988	Clophus et al.	D14/133
D. 308,368	*	6/1990	Mikami	D14/126
D. 319,437	*	8/1991	Kurozumi et al.	D14/126
D. 324,041	*	2/1992	Nakahara	D14/126

D. 324,215	*	2/1992	Kawai	D14/129
D. 362,848	*	10/1995	Naito et al.	D14/126
D. 393,461	*	4/1998	Goto	D14/126
D. 415,754	*	10/1999	Tanigawa et al.	D14/126
D. 417,448	*	12/1999	Takagi et al.	D14/126

* cited by examiner

Primary Examiner—Philip S. Hyder

(74) *Attorney, Agent, or Firm*—Jay H. Maioli

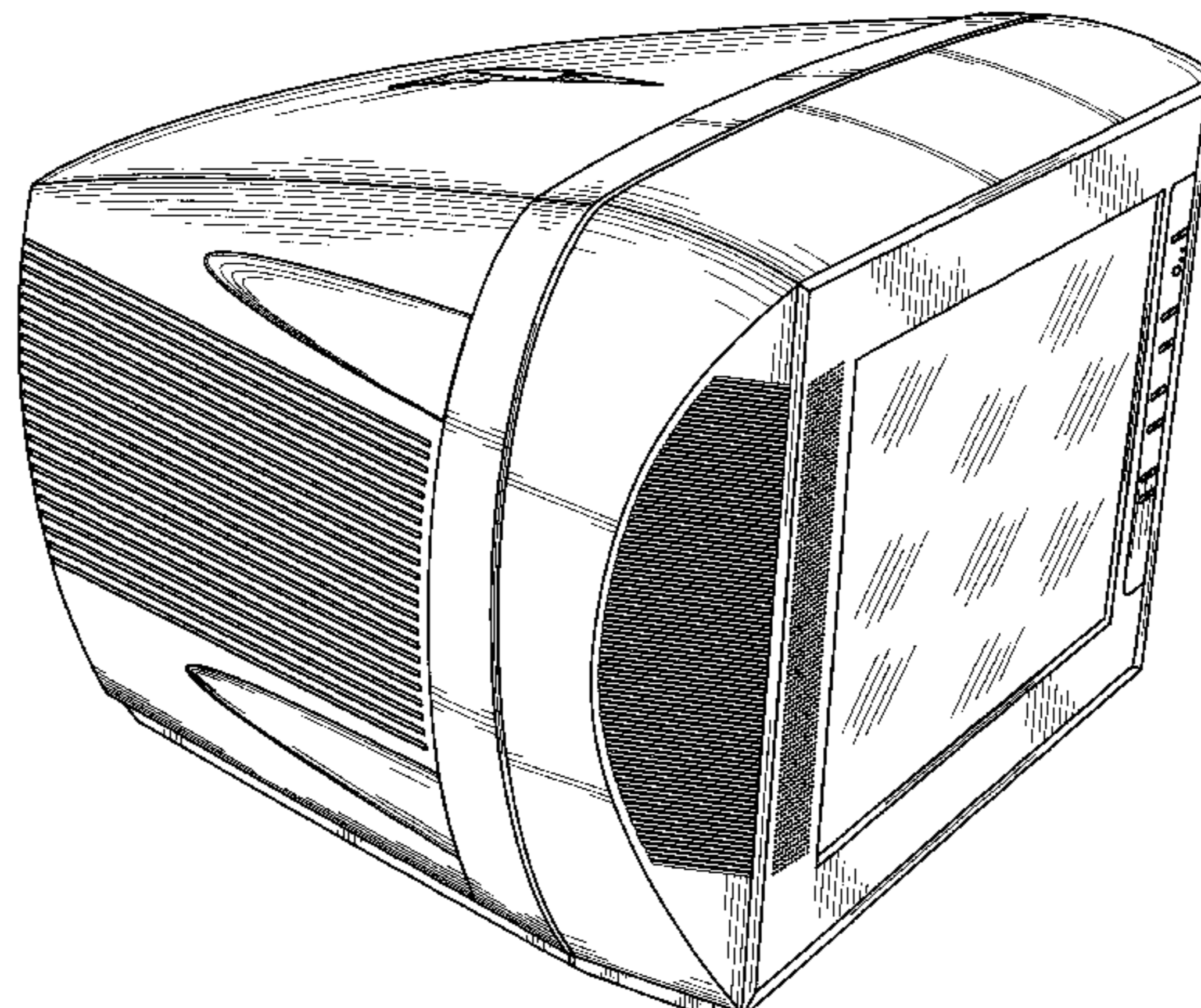
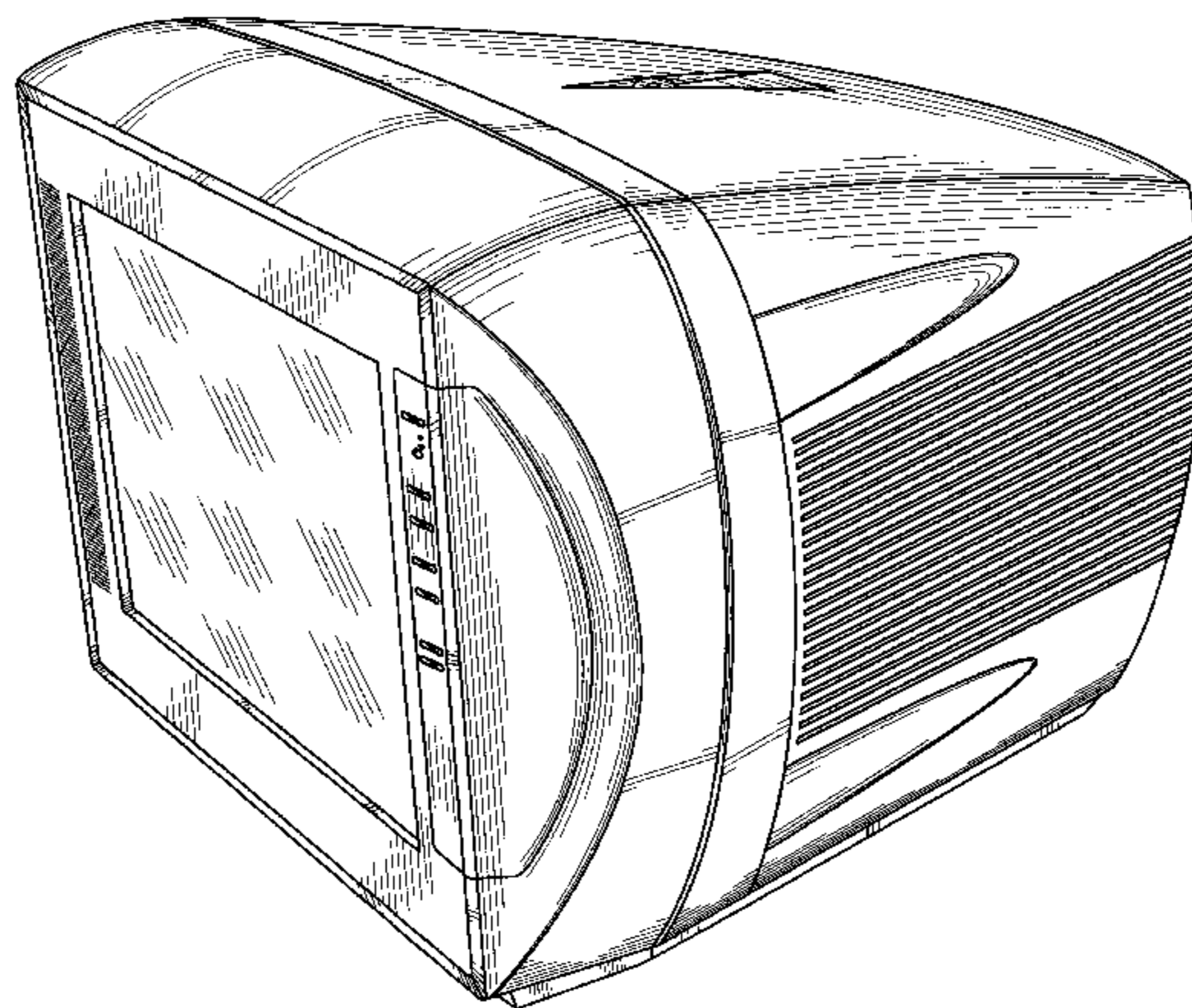
(57) **CLAIM**

The ornamental design for a television receiver, as shown and described.

DESCRIPTION

FIG. 1 is a top, front and right-side perspective view of a television receiver, showing my new design; FIG. 2 is a top, front and left-side perspective view thereof; FIG. 3 is a front elevational view thereof; FIG. 4 is a rear elevational view thereof; FIG. 5 is a left-side elevational view thereof; FIG. 6 is a right-side elevational view thereof; and, FIG. 7 is a top plan view thereof, the bottom thereof being void of ornamentation.

1 Claim, 7 Drawing Sheets



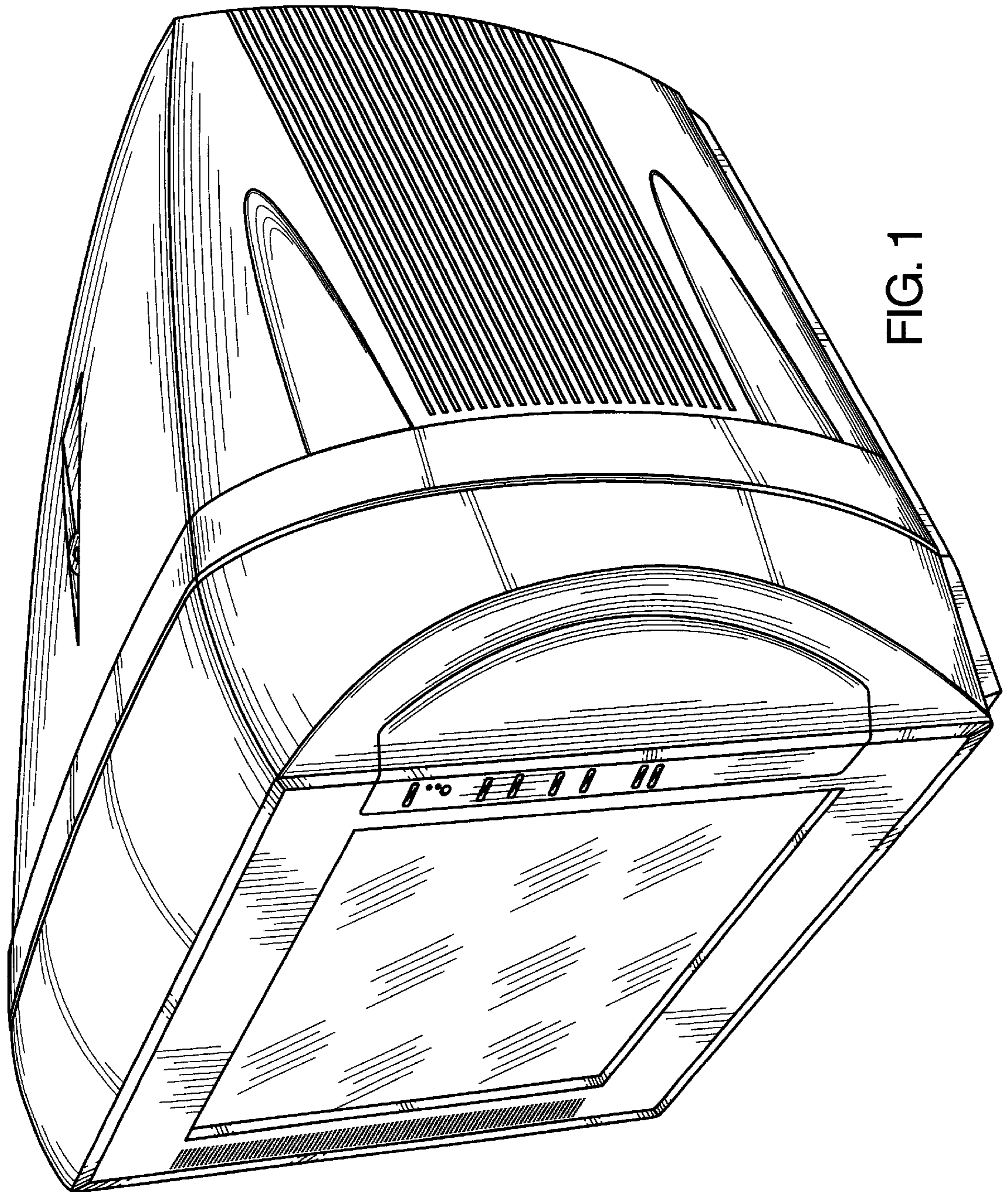


FIG. 1

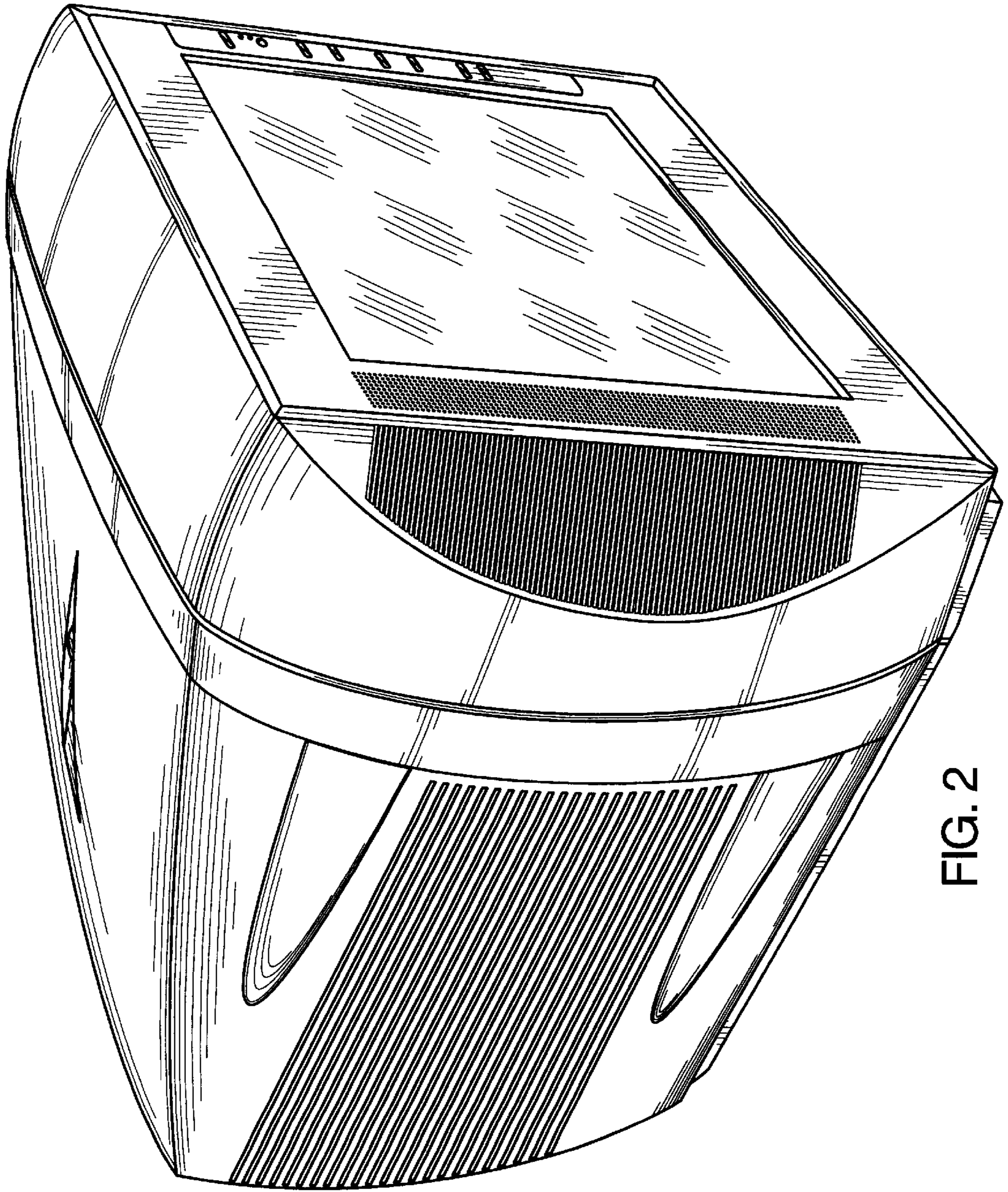


FIG. 2

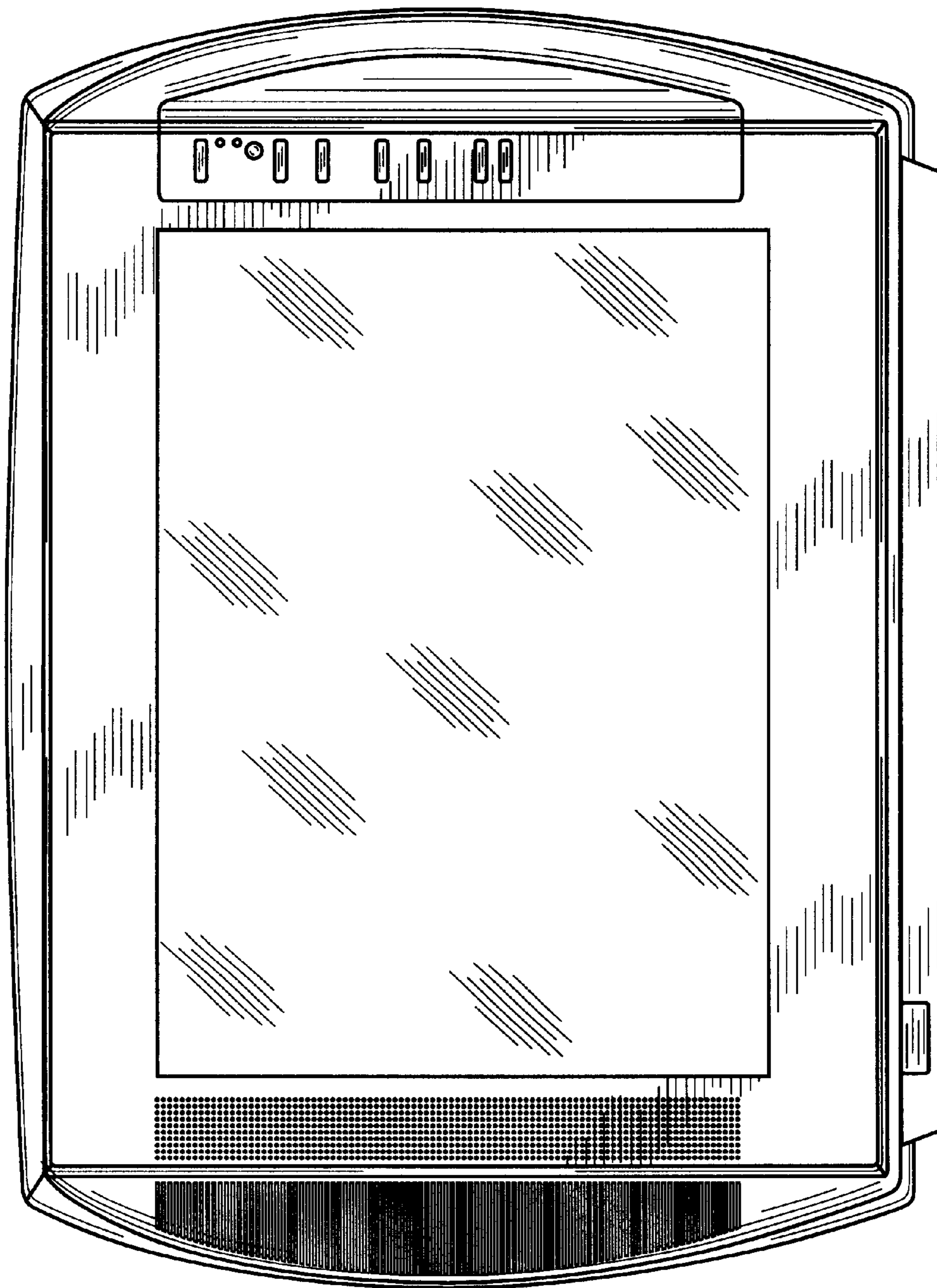


FIG. 3

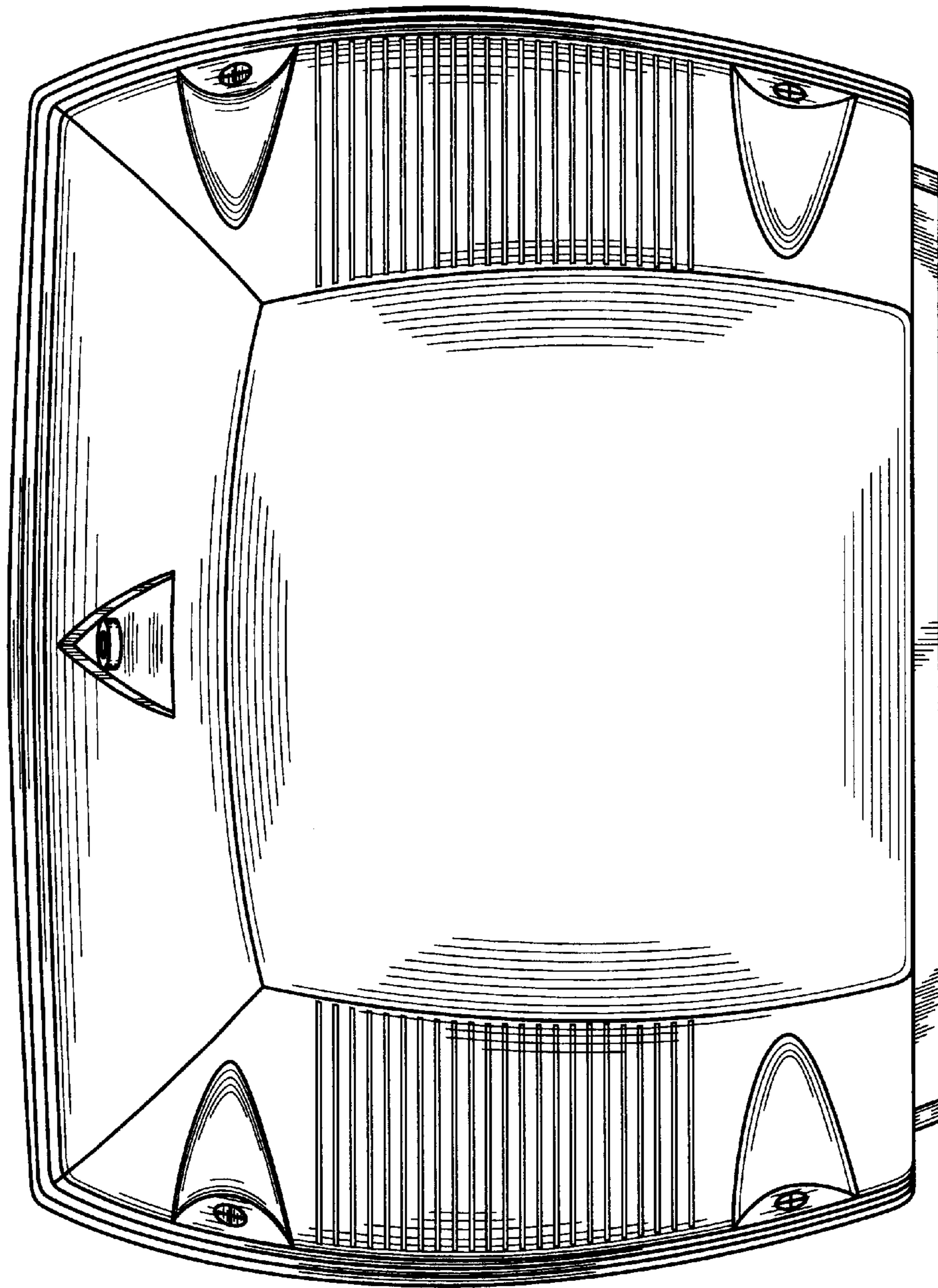


FIG. 4

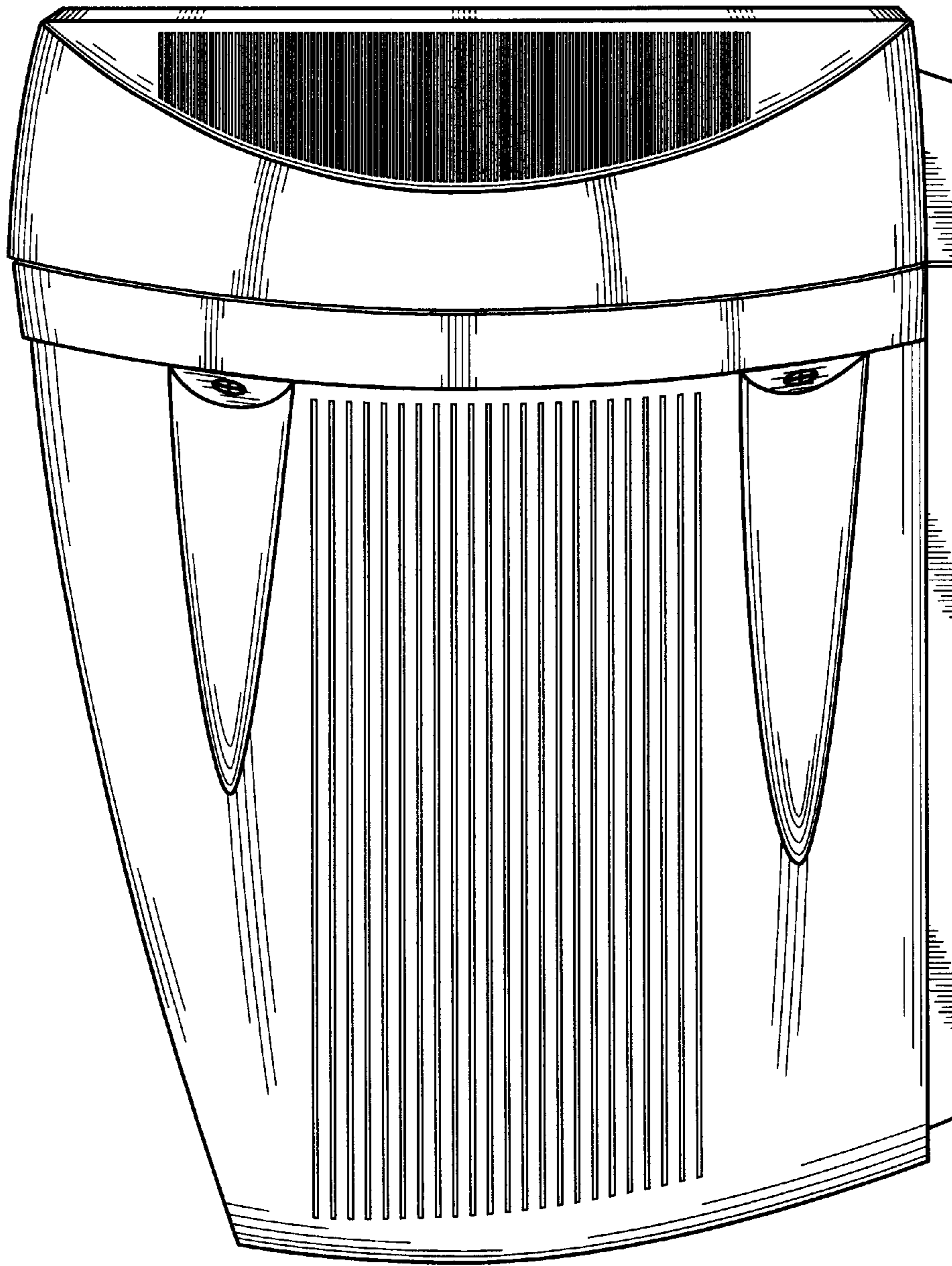


FIG. 5

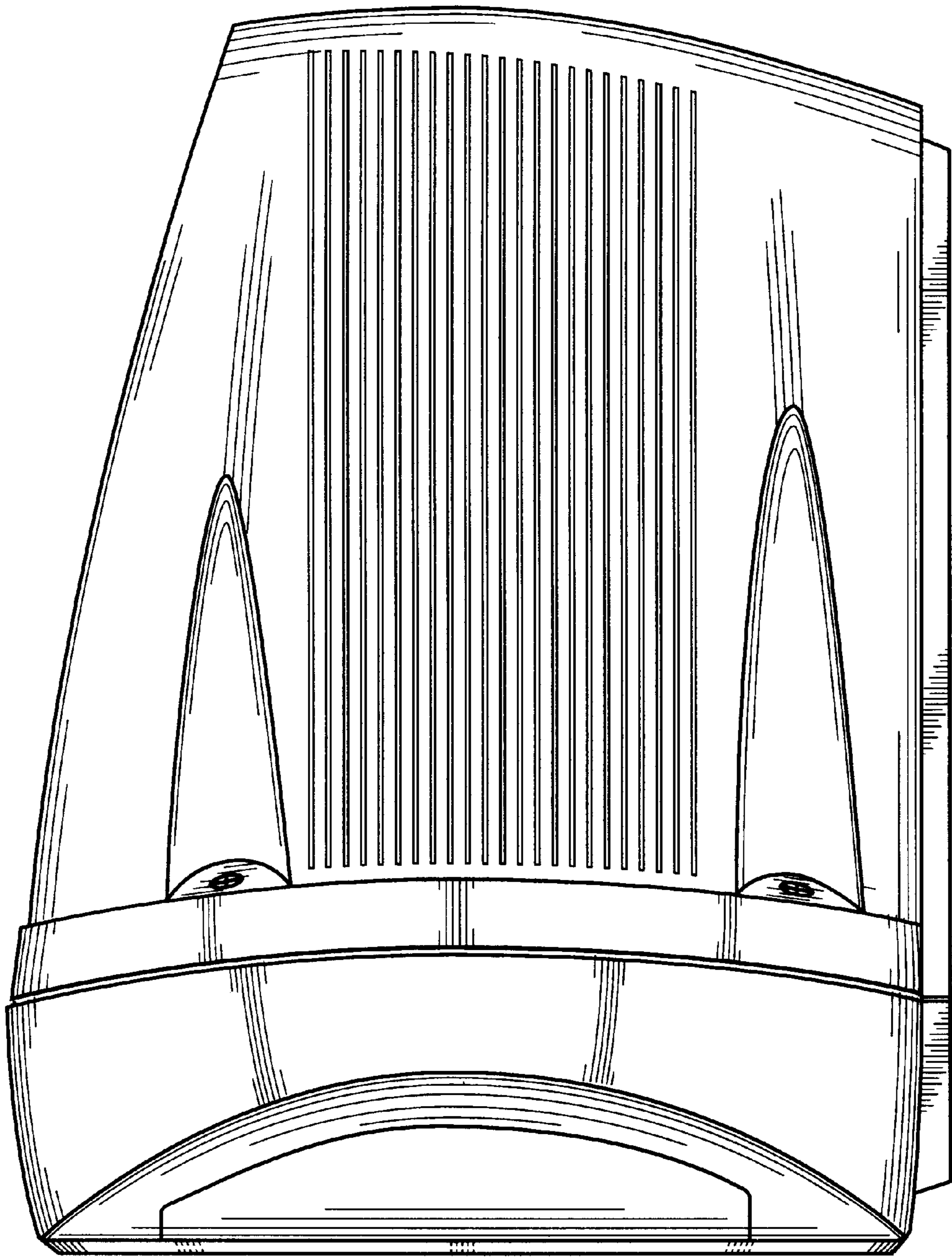


FIG. 6

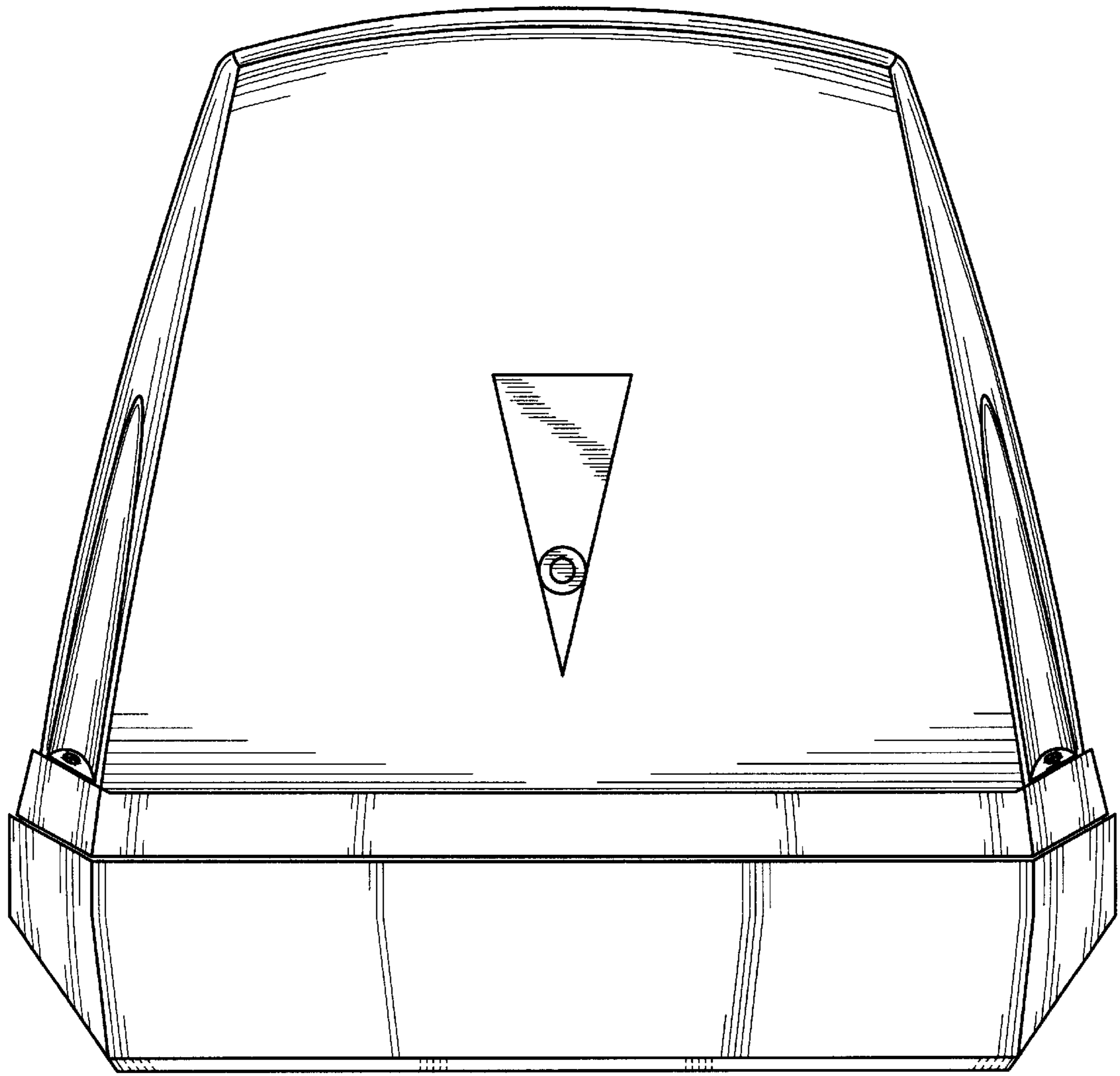


FIG. 7