



US00D450668B1

(12) **United States Design Patent**  
**Khovaylo et al.**

(10) **Patent No.:** **US D450,668 S**

(45) **Date of Patent:** **\*\* Nov. 20, 2001**

(54) **OPTICAL SCANNER**

(75) Inventors: **Modest Khovaylo**, Fort Collins, CO (US); **Davin Stowell**, New York; **Scott Henderson**, Brooklyn, both of NY (US)

(73) Assignee: **Hewlett-Packard Company**, Palo Alto, CA (US)

(\*\*) Term: **14 Years**

(21) Appl. No.: **29/092,525**

(22) Filed: **Aug. 20, 1998**

(51) **LOC (7) Cl.** ..... **14-02**

(52) **U.S. Cl.** ..... **D14/107**

(58) **Field of Search** ..... D14/100, 107, D14/108, 109, 118; D18/36, 37, 39; 250/556; 235/454, 470; 358/408, 472, 474, 497

(56) **References Cited**

**U.S. PATENT DOCUMENTS**

- D. 380,742 \* 7/1997 Van De Loo ..... D14/107
- D. 388,773 \* 1/1998 Chang et al. .... D14/107
- D. 389,468 \* 1/1998 Chang et al. .... D14/107
- D. 391,930 \* 3/1998 Cheng-Yung ..... D14/107
- D. 394,047 \* 5/1998 Chang et al. .... D14/107

**OTHER PUBLICATIONS**

U.S. application No. 09/154,001 filed Sep. 16, 1998 for Optical Scanner with Inclined Platen of Modest Khovaylo.

U.S. Design application No. 29/075,936 filed Aug. 28, 1997 for Scanner of Modest Khovaylo and James C. Dow.

U.S. Divisional Design application No. 29/094295 filed Sep. 29, 1998 for Scanner of Modest Khovaylo and James C. Dow.

\* cited by examiner

*Primary Examiner*—Freda Nunn

(57) **CLAIM**

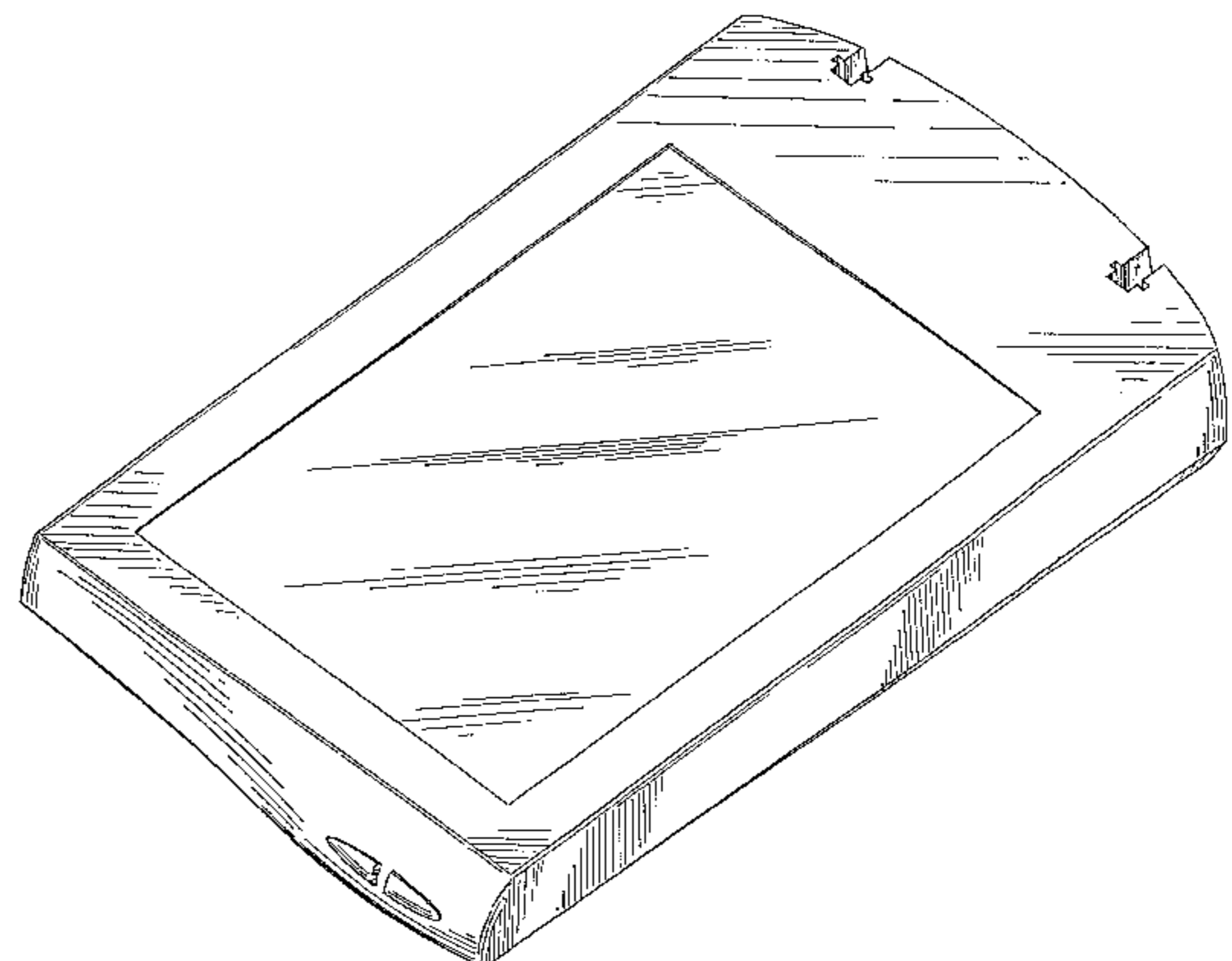
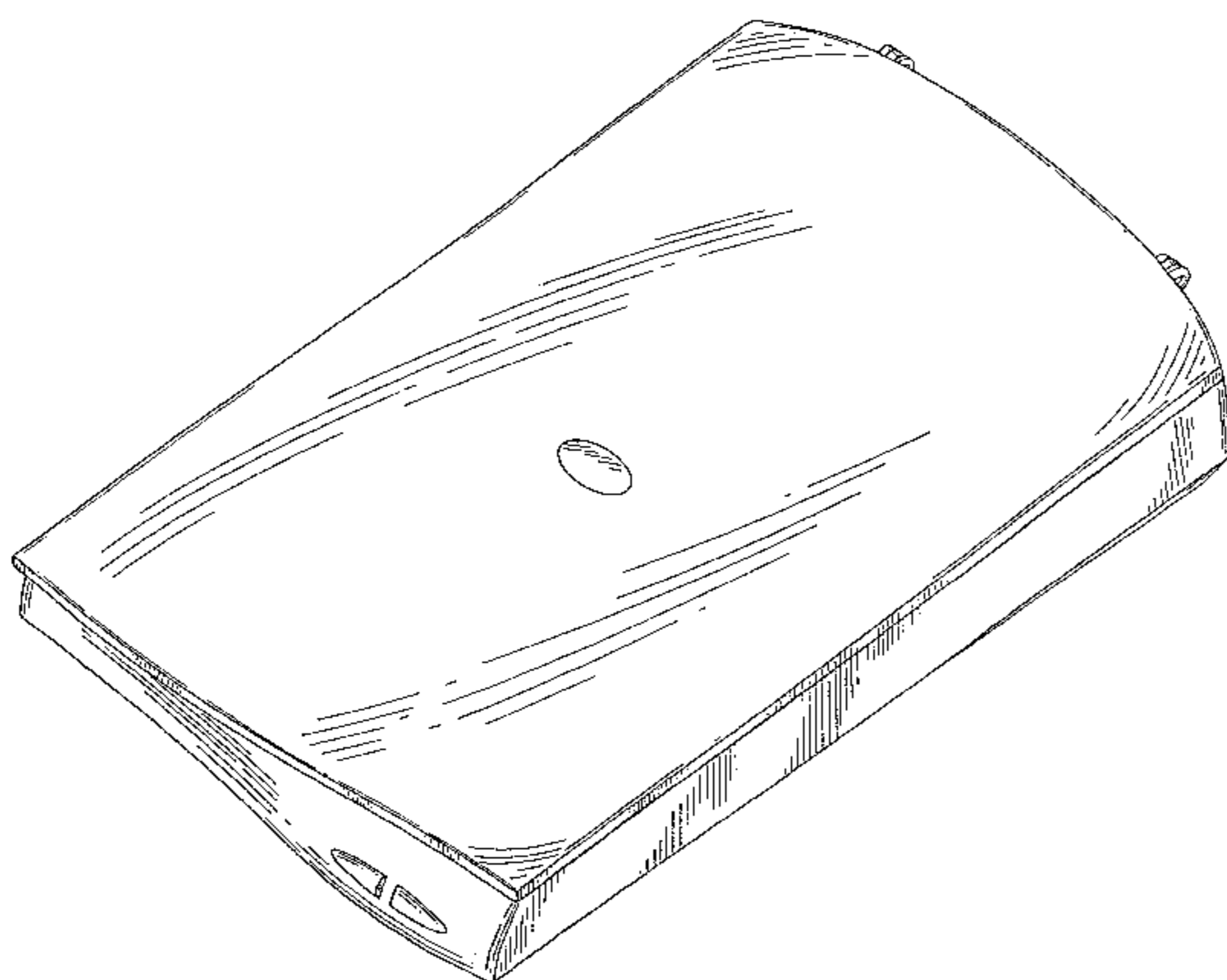
The ornamental design for an optical scanner, as shown and described.

**DESCRIPTION**

FIG. 1 is a top front right perspective view of a first embodiment of an optical scanner showing our new design; FIG. 2 is a top front left perspective view thereof; FIG. 3 is a top rear right perspective view thereof; FIG. 4 is a top rear left perspective view thereof; FIG. 5 is a front elevation view thereof; FIG. 6 is a rear elevation view thereof; FIG. 7 is a right side elevation view thereof; FIG. 8 is a left side elevation view thereof; FIG. 9 is a top plan view thereof; FIG. 10 is a bottom plan view thereof; FIG. 11 is a top front right perspective view thereof with the cover removed; FIG. 12 is a top front right perspective view of a second embodiment of an optical scanner showing our new design; FIG. 13 is a top front left perspective view of the second embodiment; FIG. 14 is a top rear right perspective view of the second embodiment; FIG. 15 is a top rear left perspective view of the second embodiment; FIG. 16 is a front elevation view of the second embodiment; FIG. 17 is a rear elevation view of the second embodiment; FIG. 18 is a right side elevation view of the second embodiment; FIG. 19 is a left side elevation view of the second embodiment; FIG. 20 is a top plan view of the second embodiment; FIG. 21 is a bottom plan view of the second embodiment; and, FIG. 22 is a top front right perspective view of the second embodiment with the cover removed.

The broken lines are shown in the views for illustrative purposes only and form no part of the claimed design.

**1 Claim, 18 Drawing Sheets**



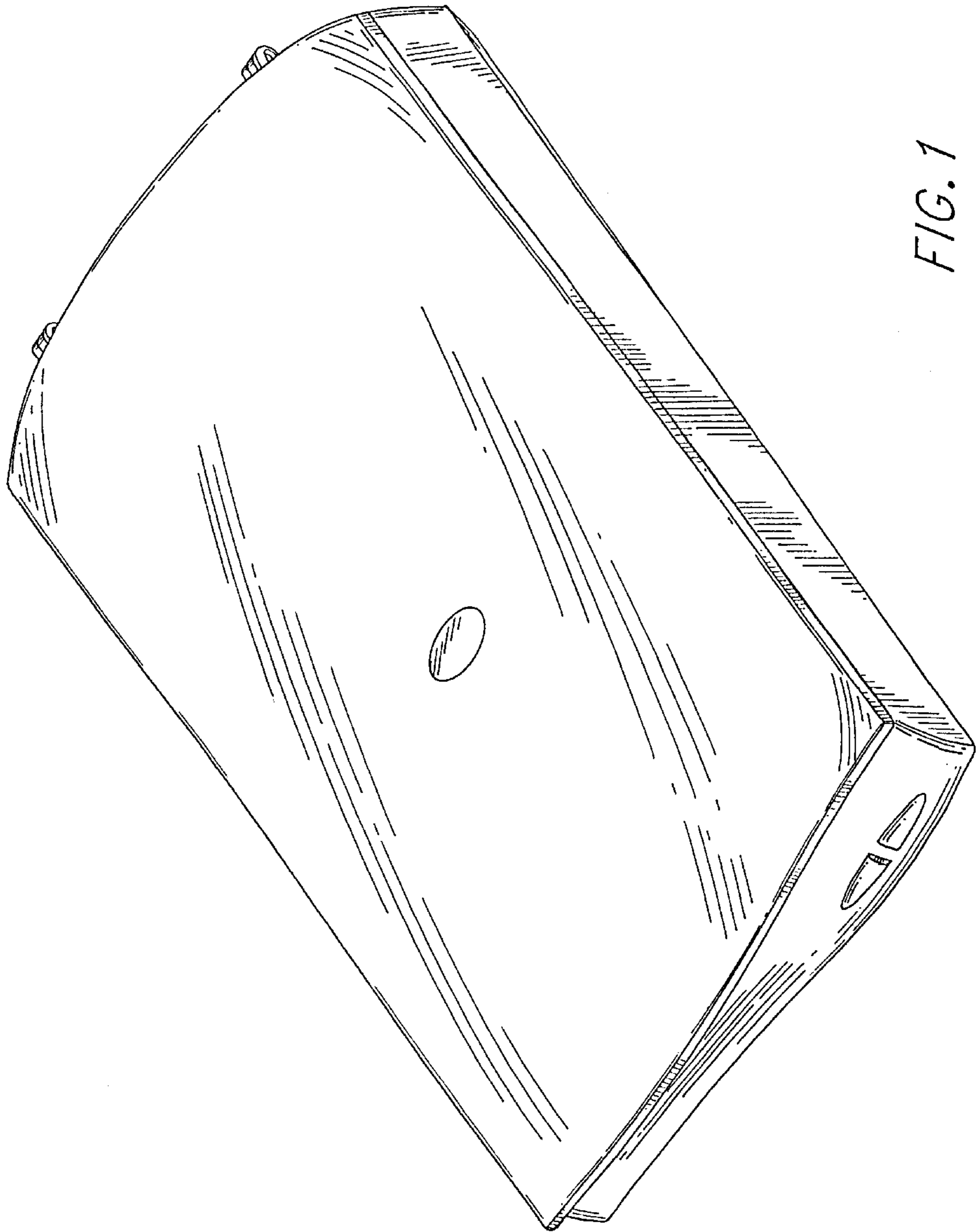


FIG. 1

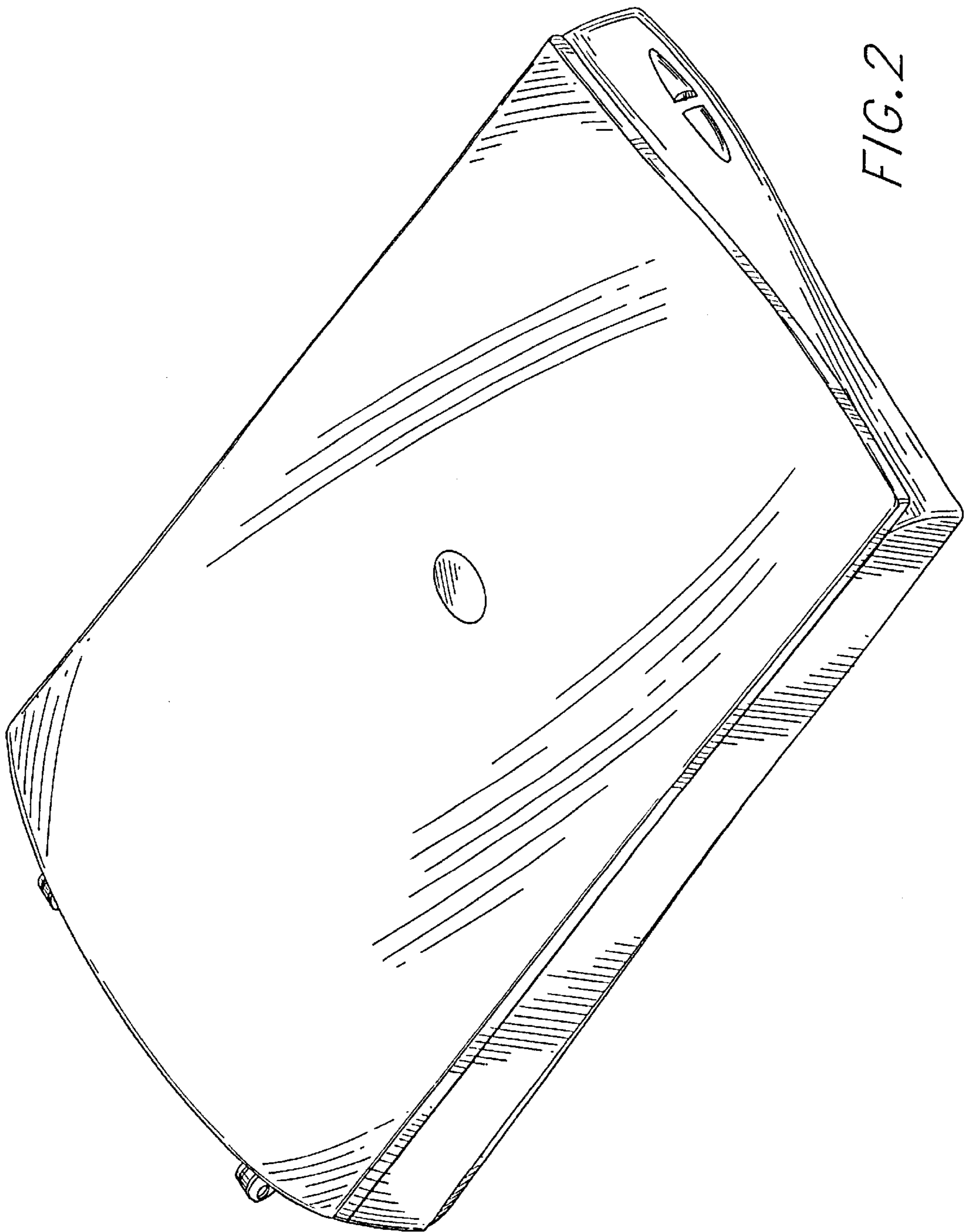


FIG. 2

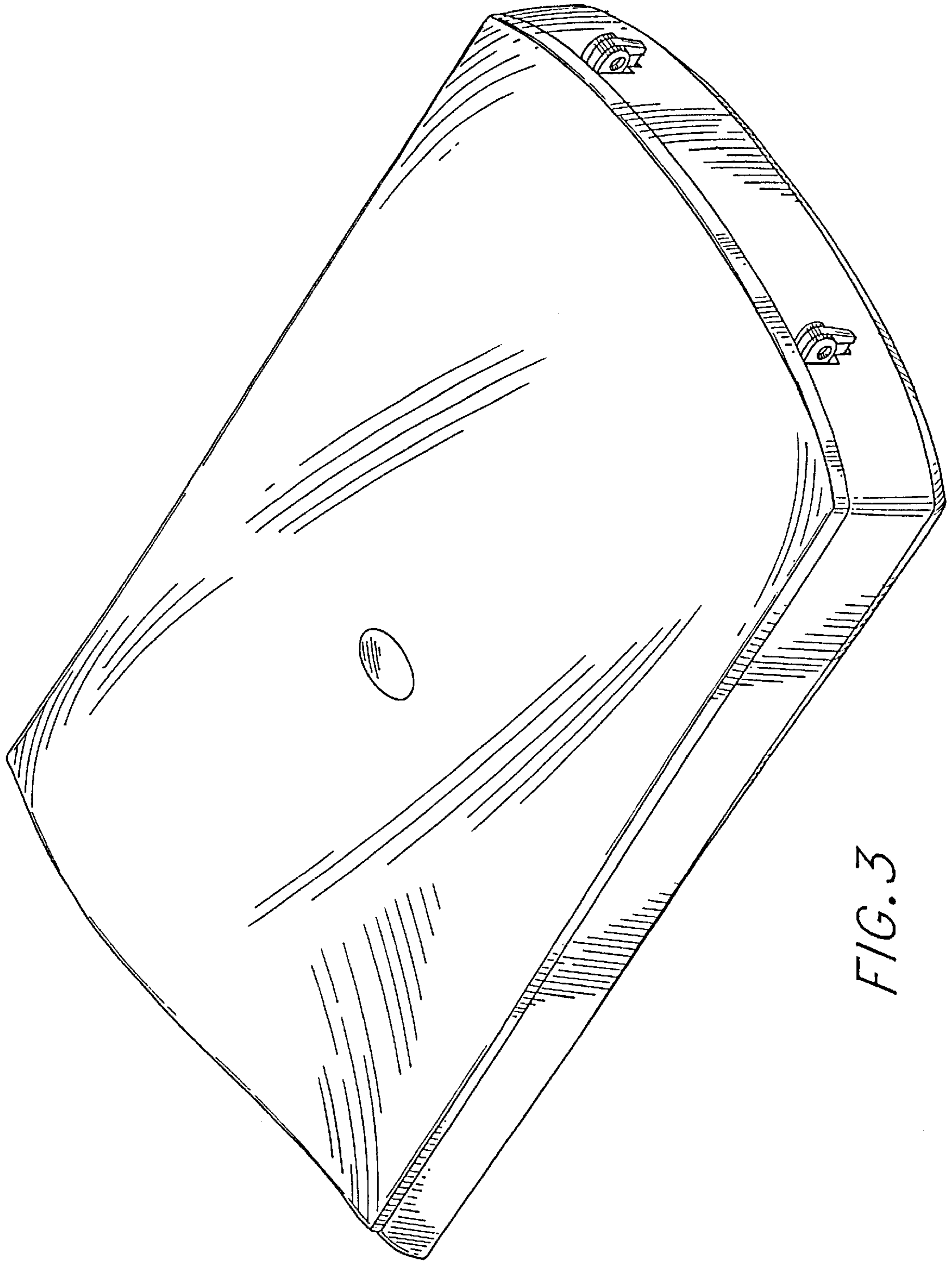


FIG. 3

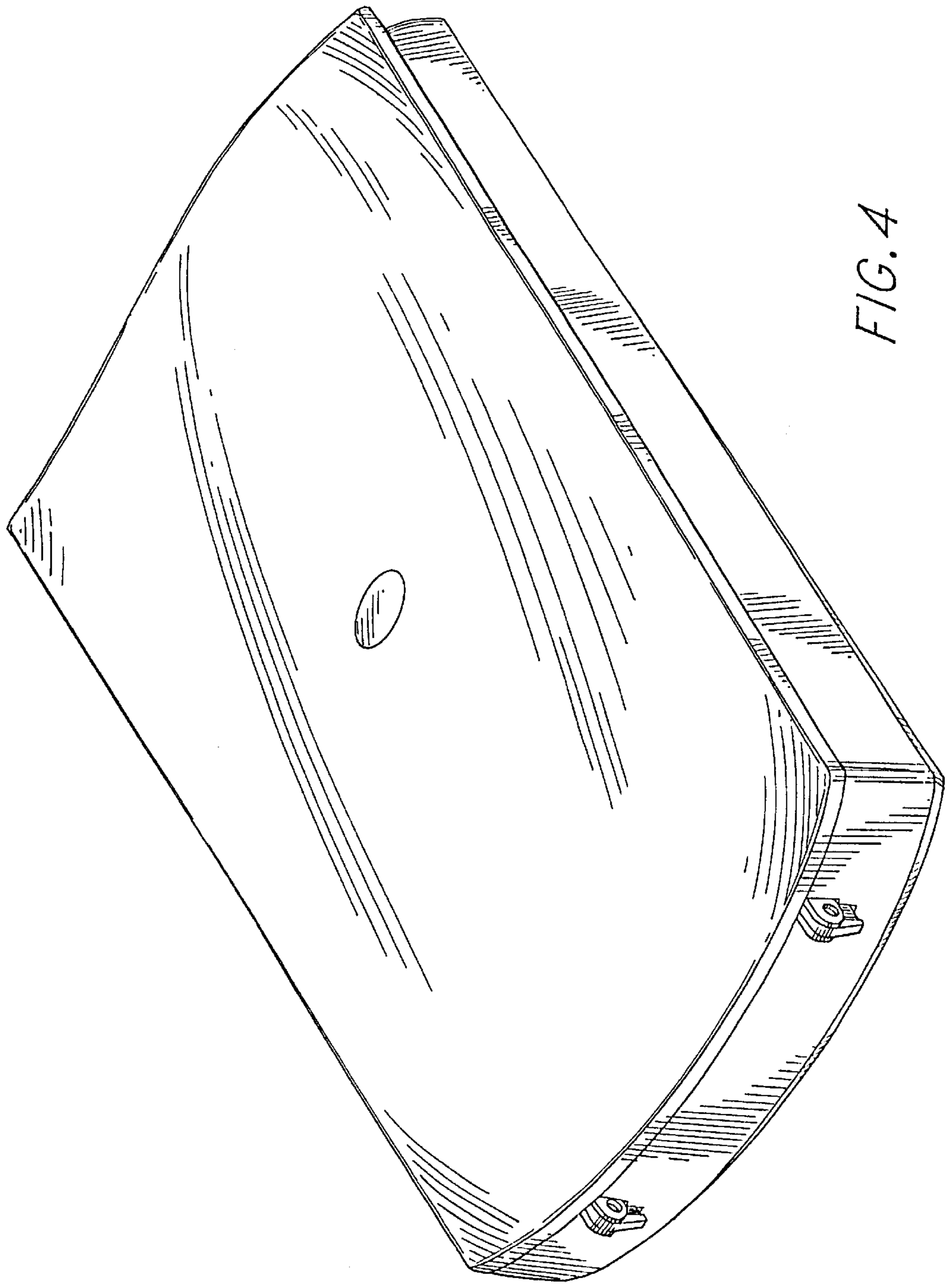


FIG. 4

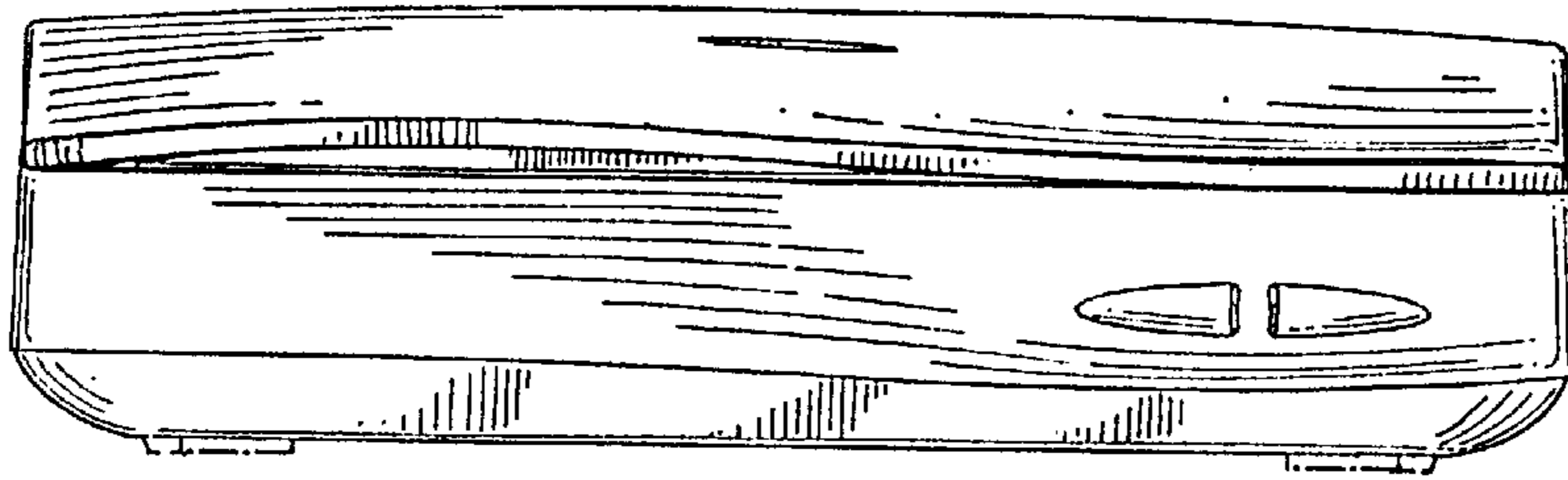


FIG. 5

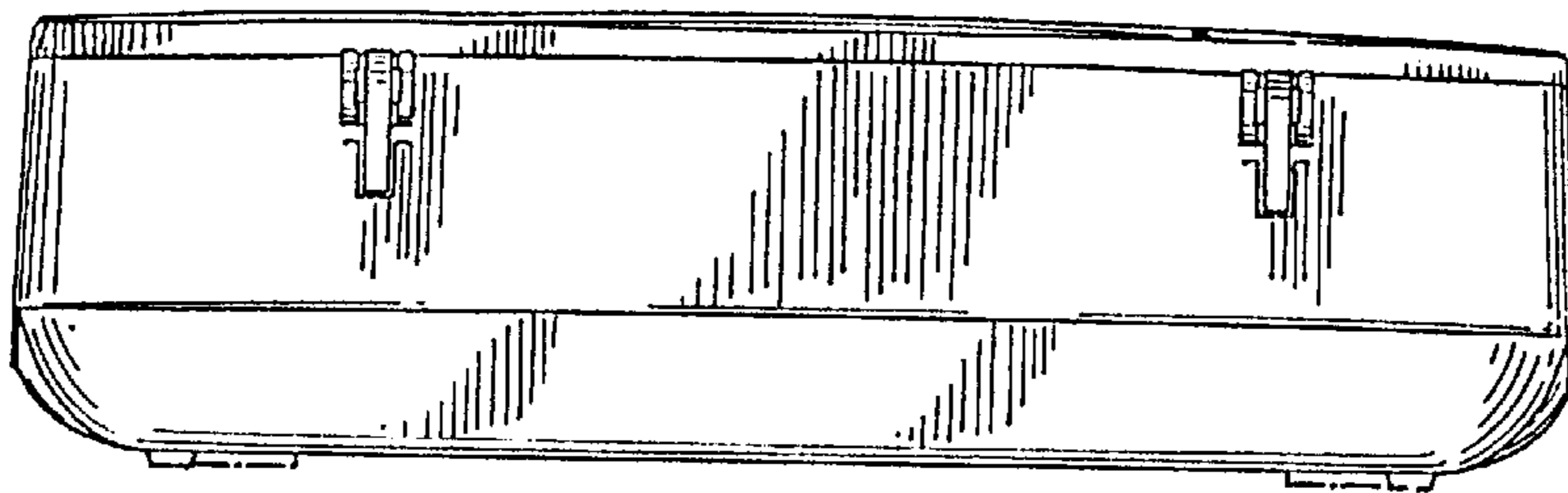


FIG. 6

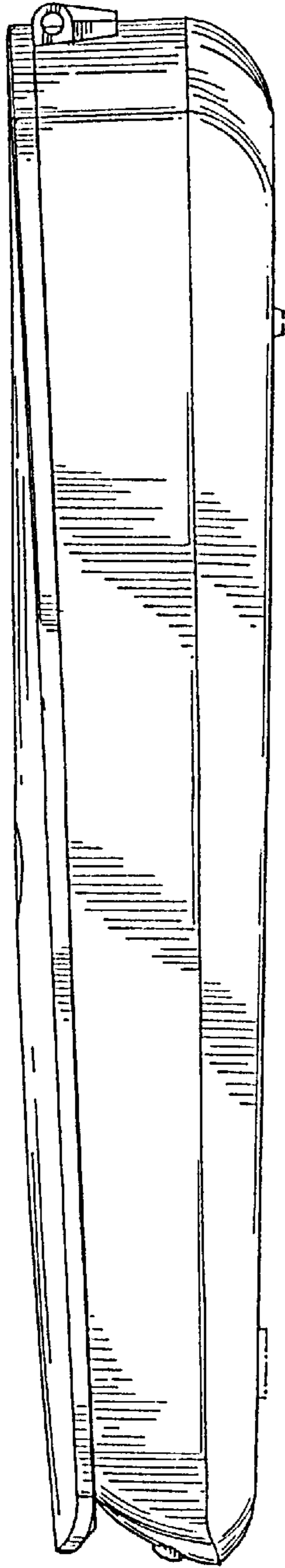


FIG. 7

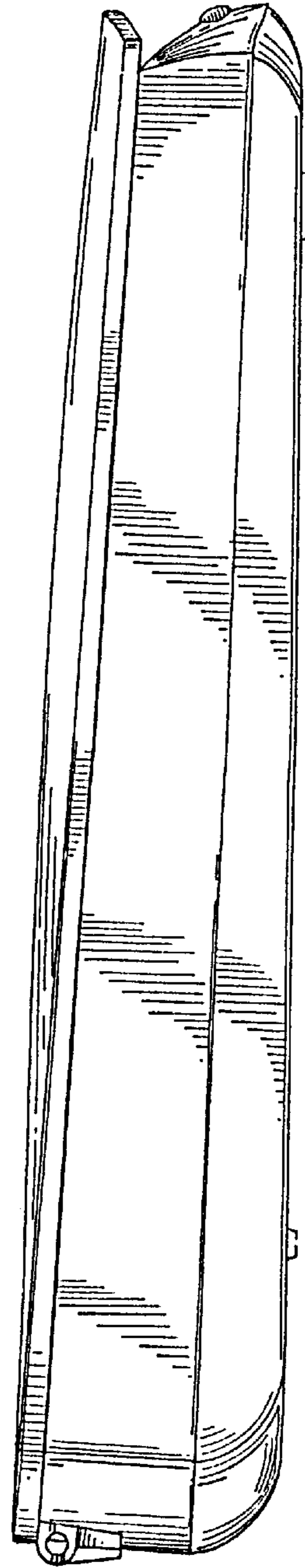


FIG. 8

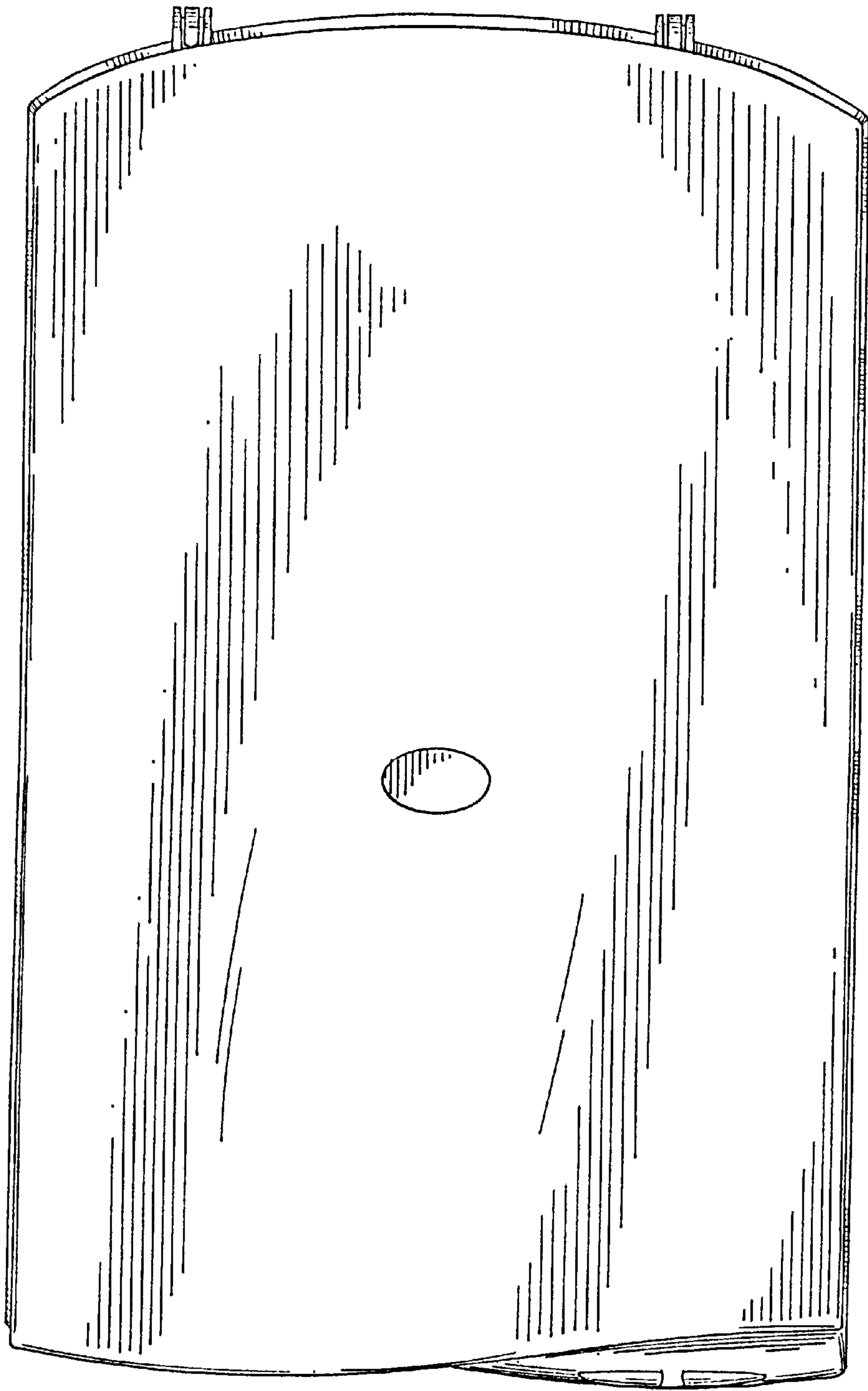


FIG. 9



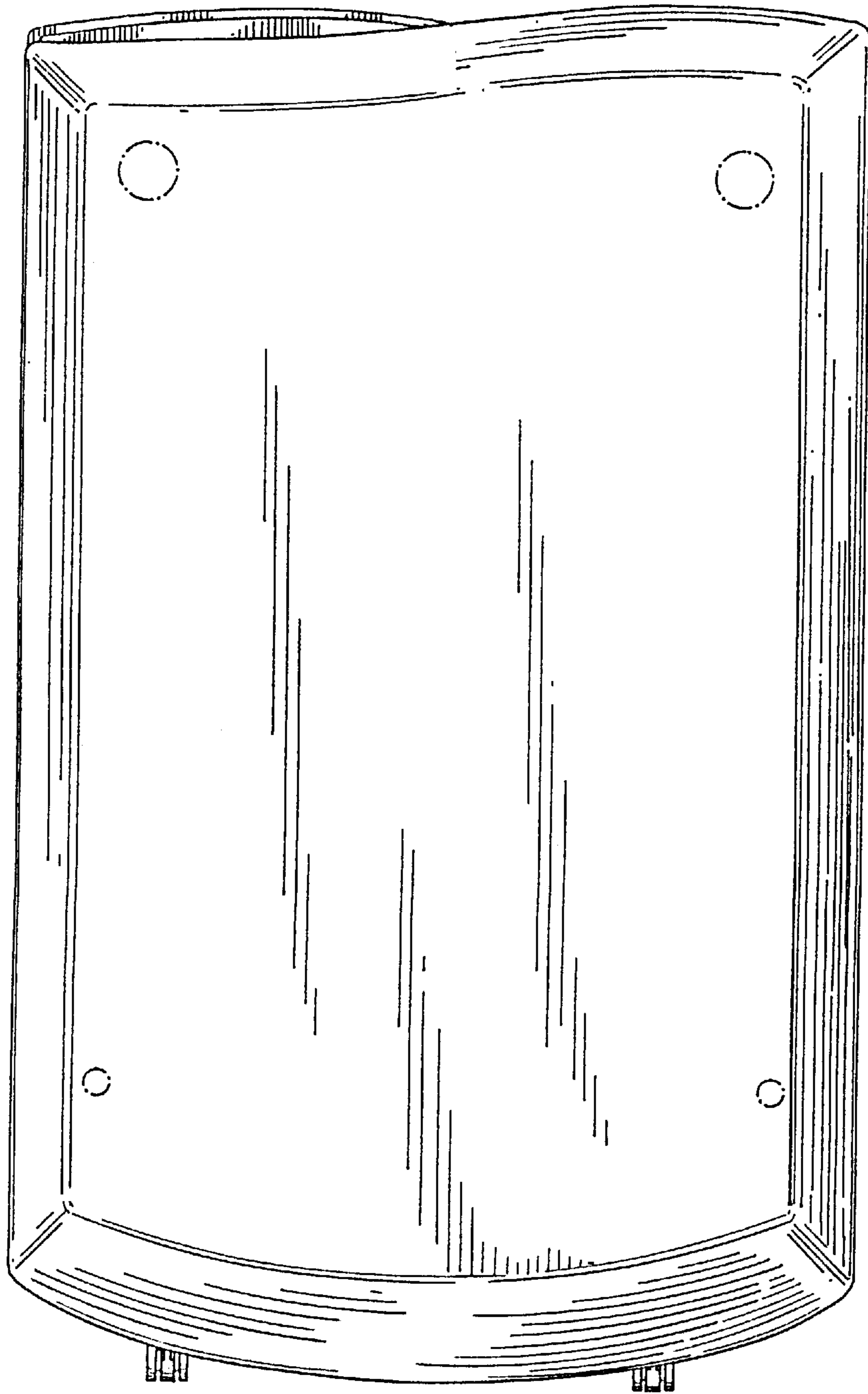


FIG. 10

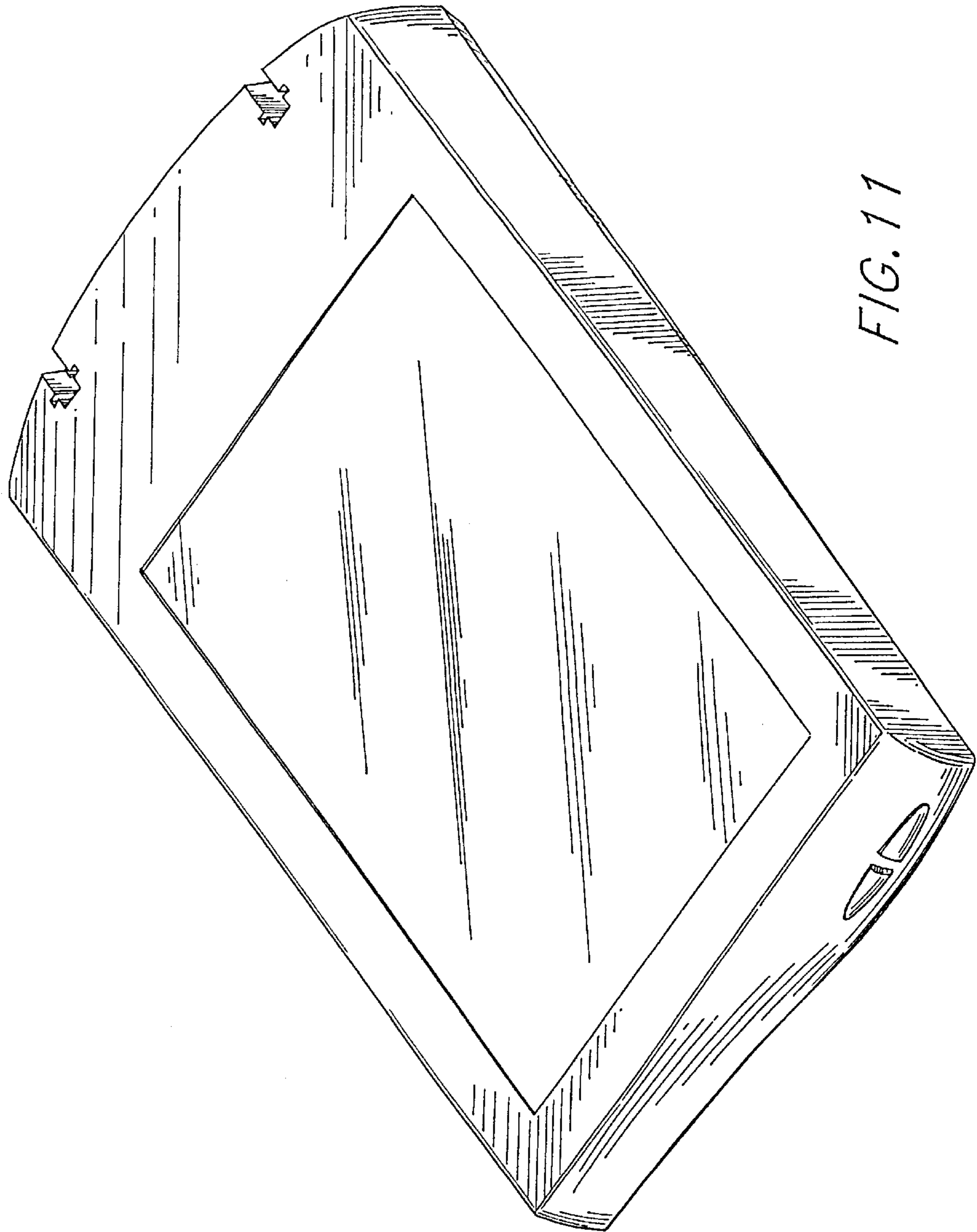


FIG. 11

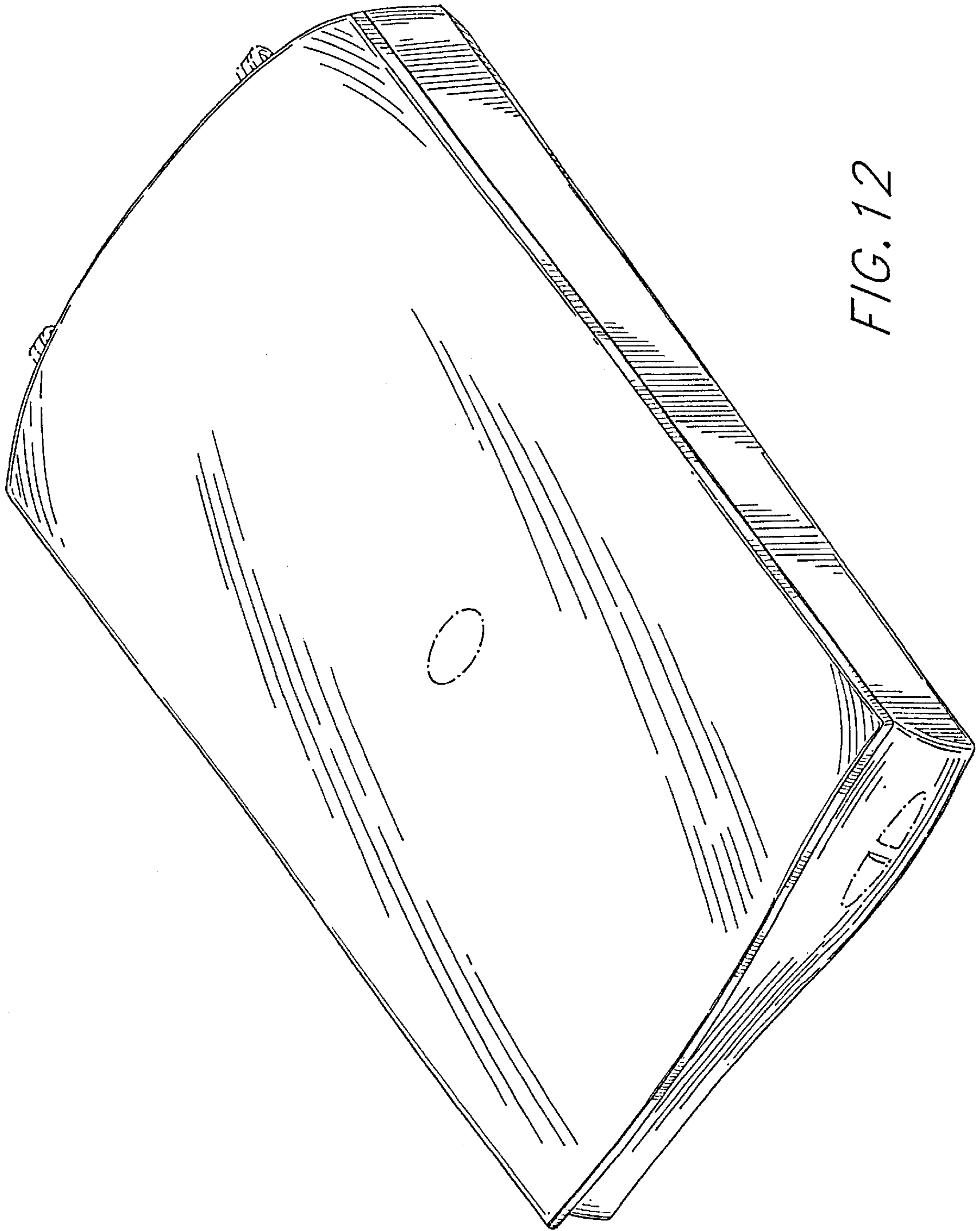


FIG. 12

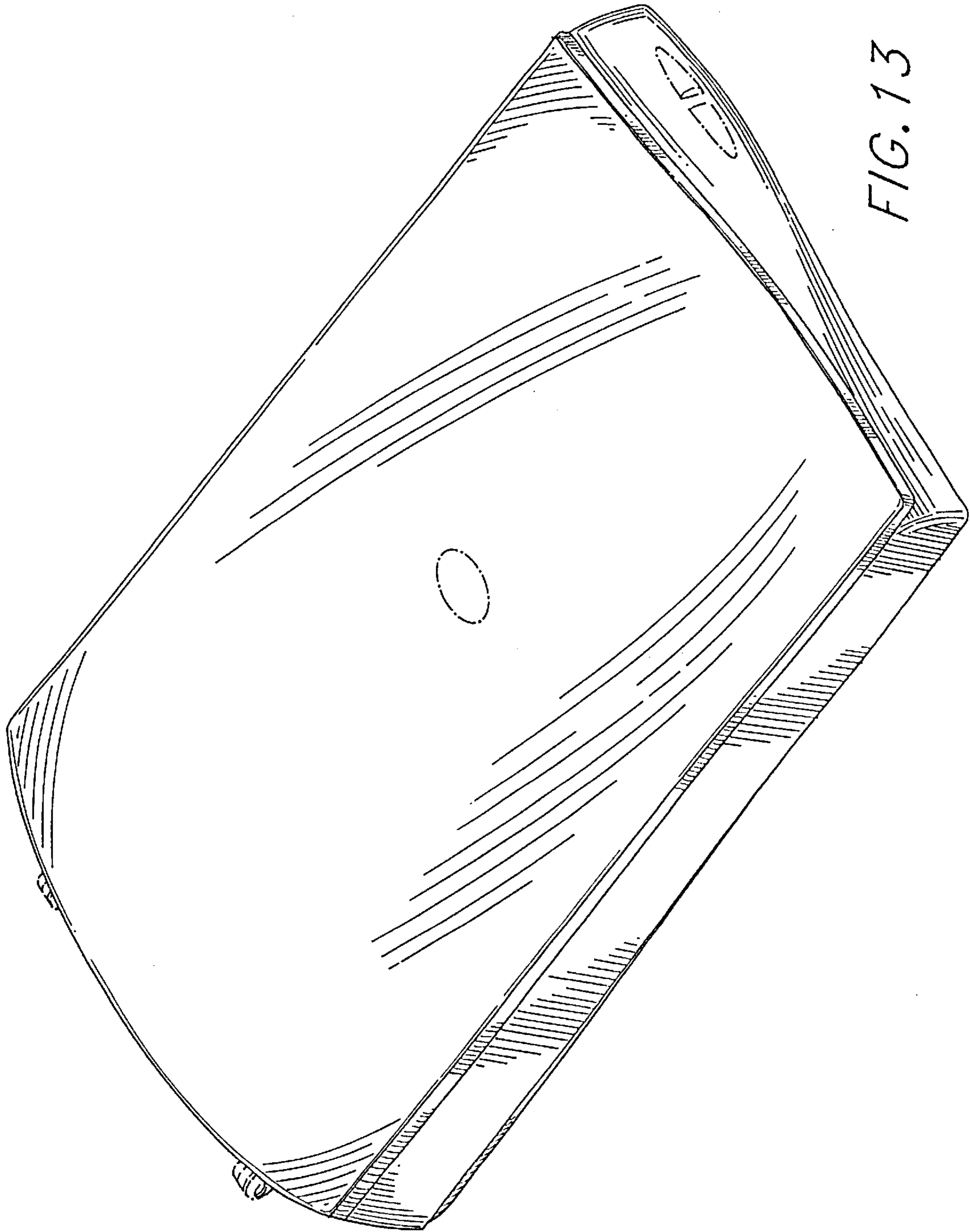


FIG. 13

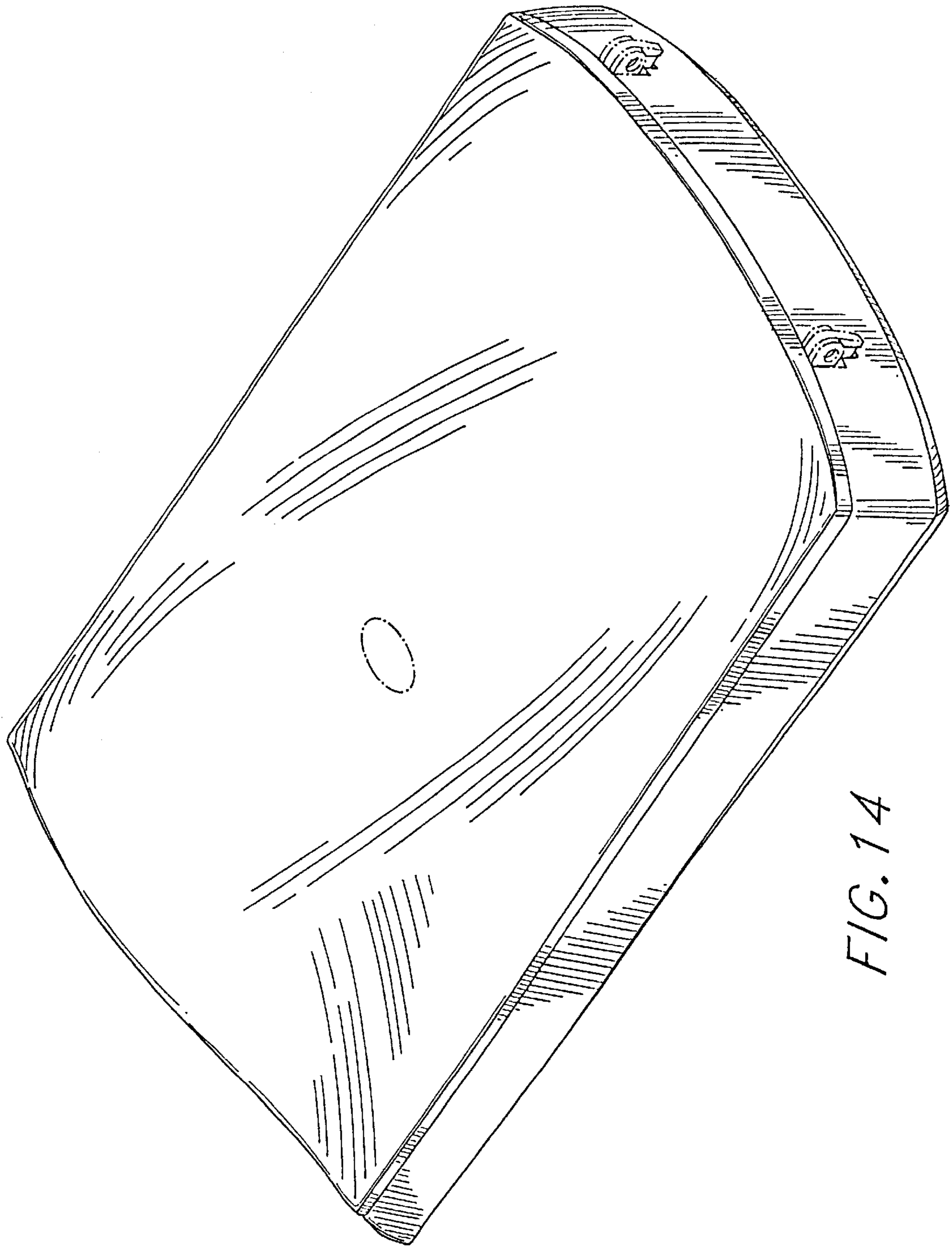


FIG. 14

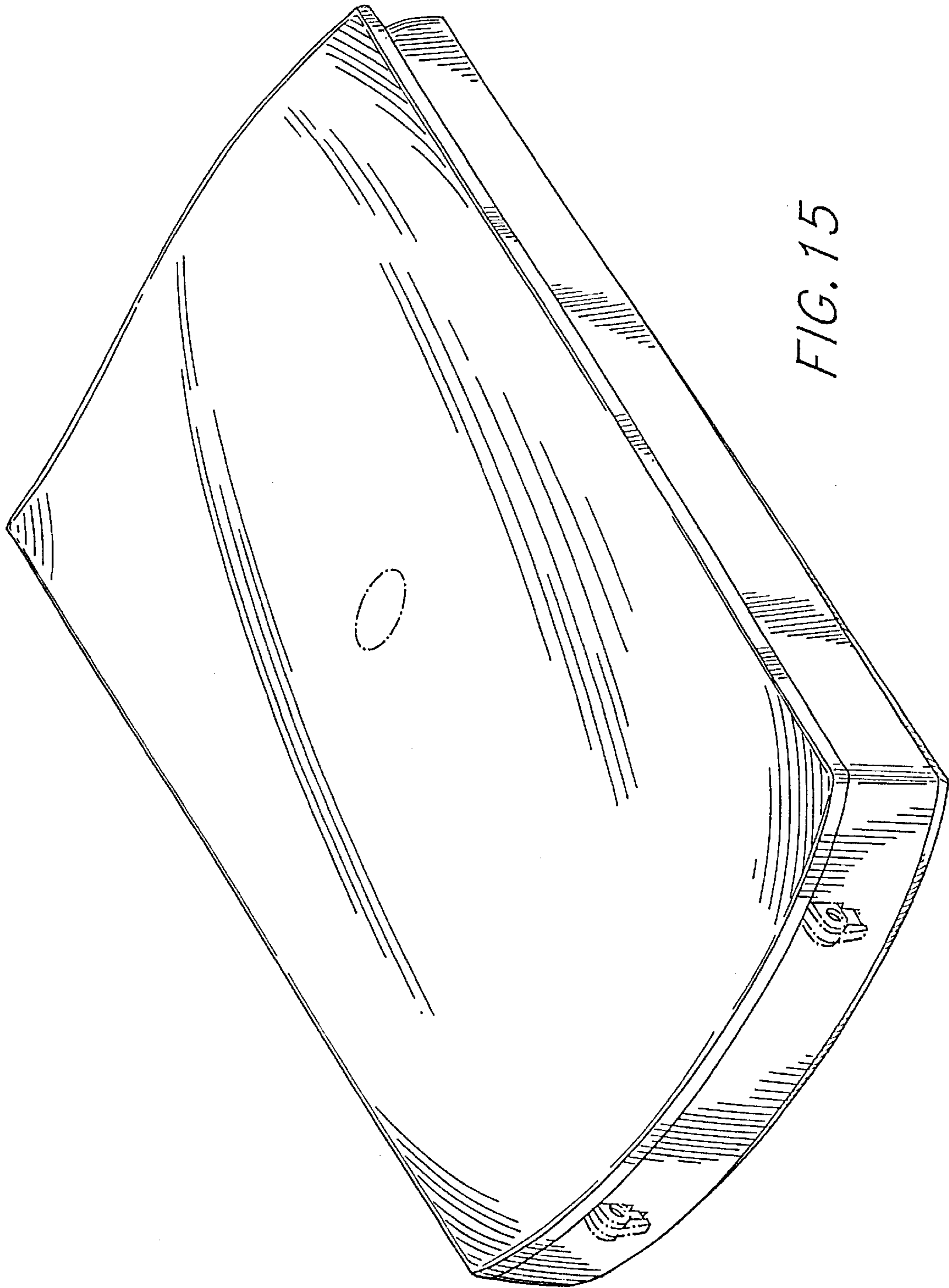
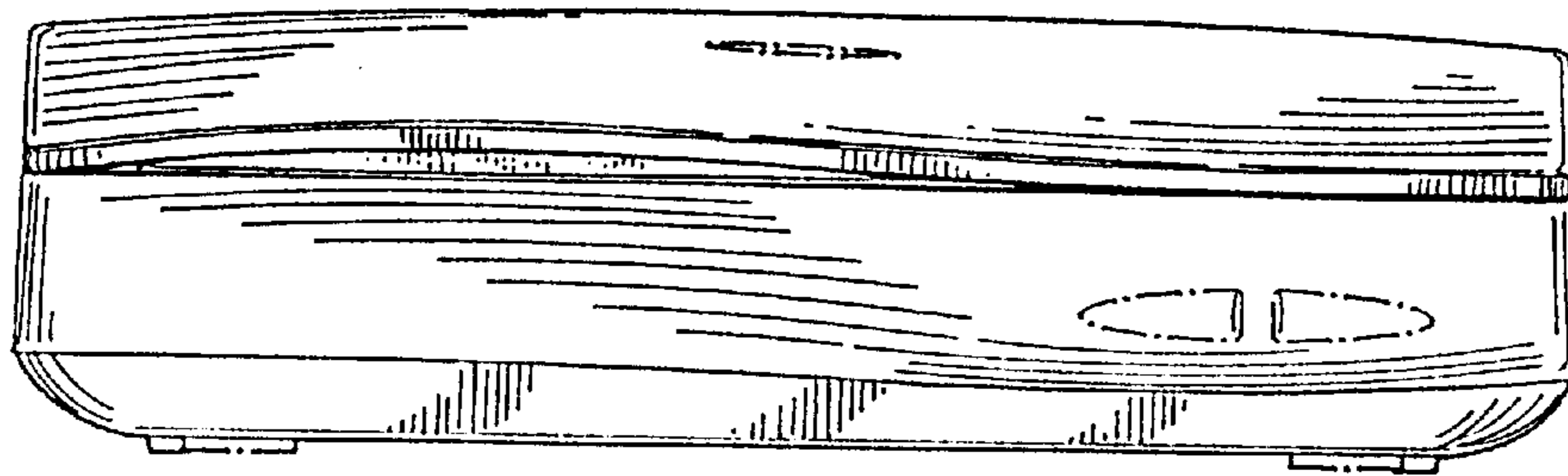
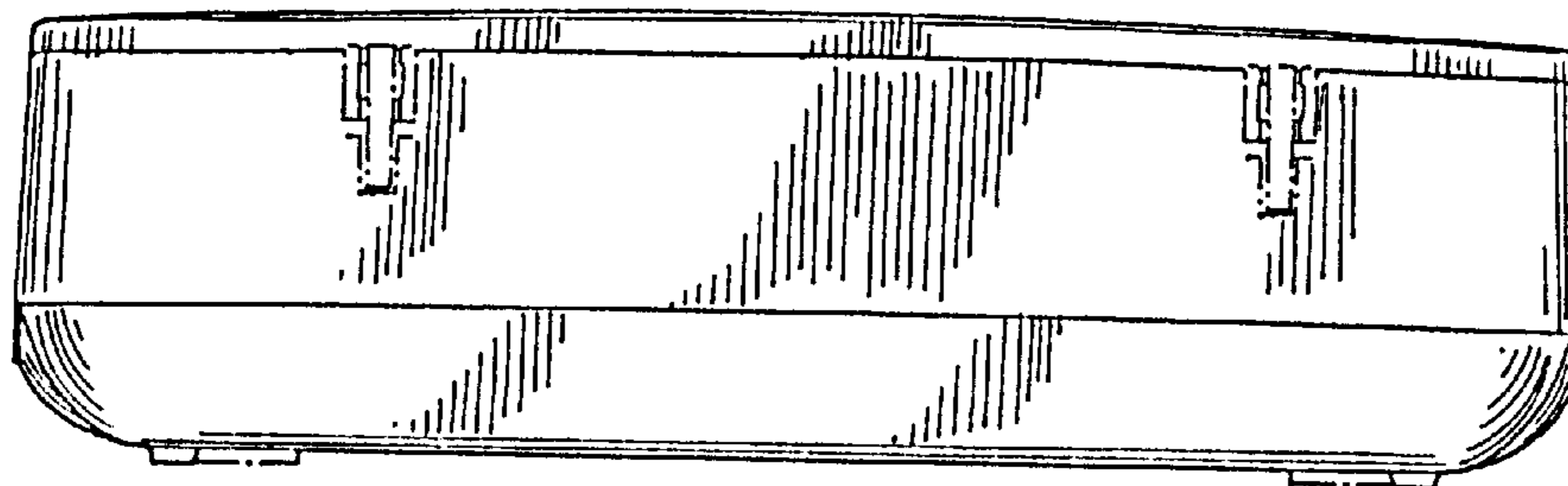


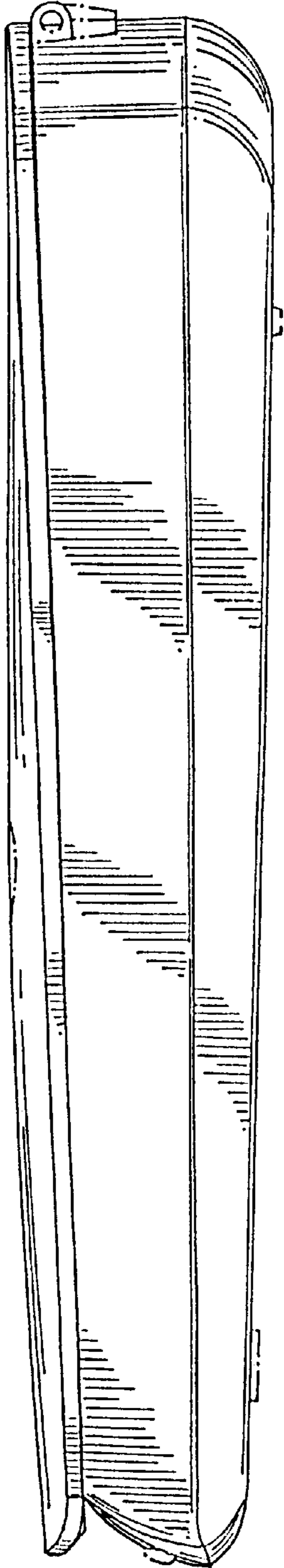
FIG. 15



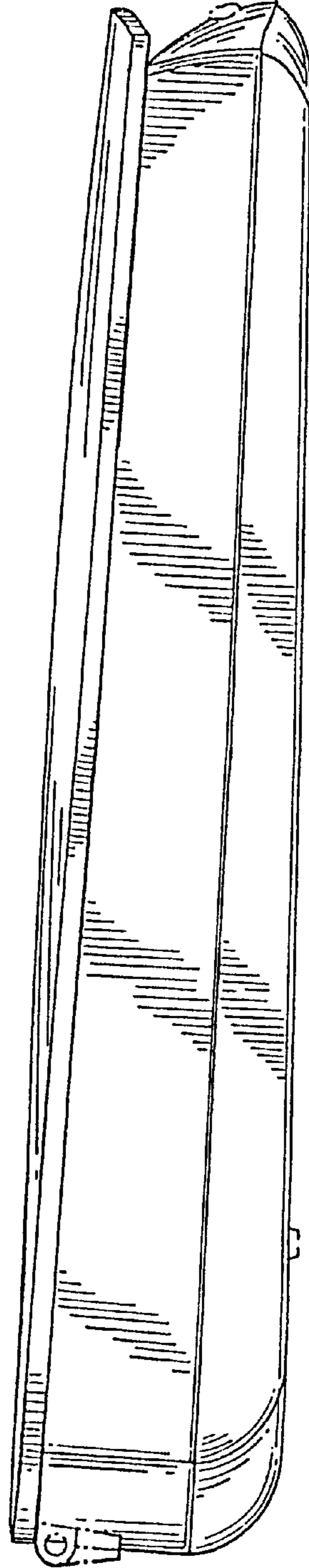
*FIG. 16*



*FIG. 17*



*FIG. 18*



*FIG. 19*



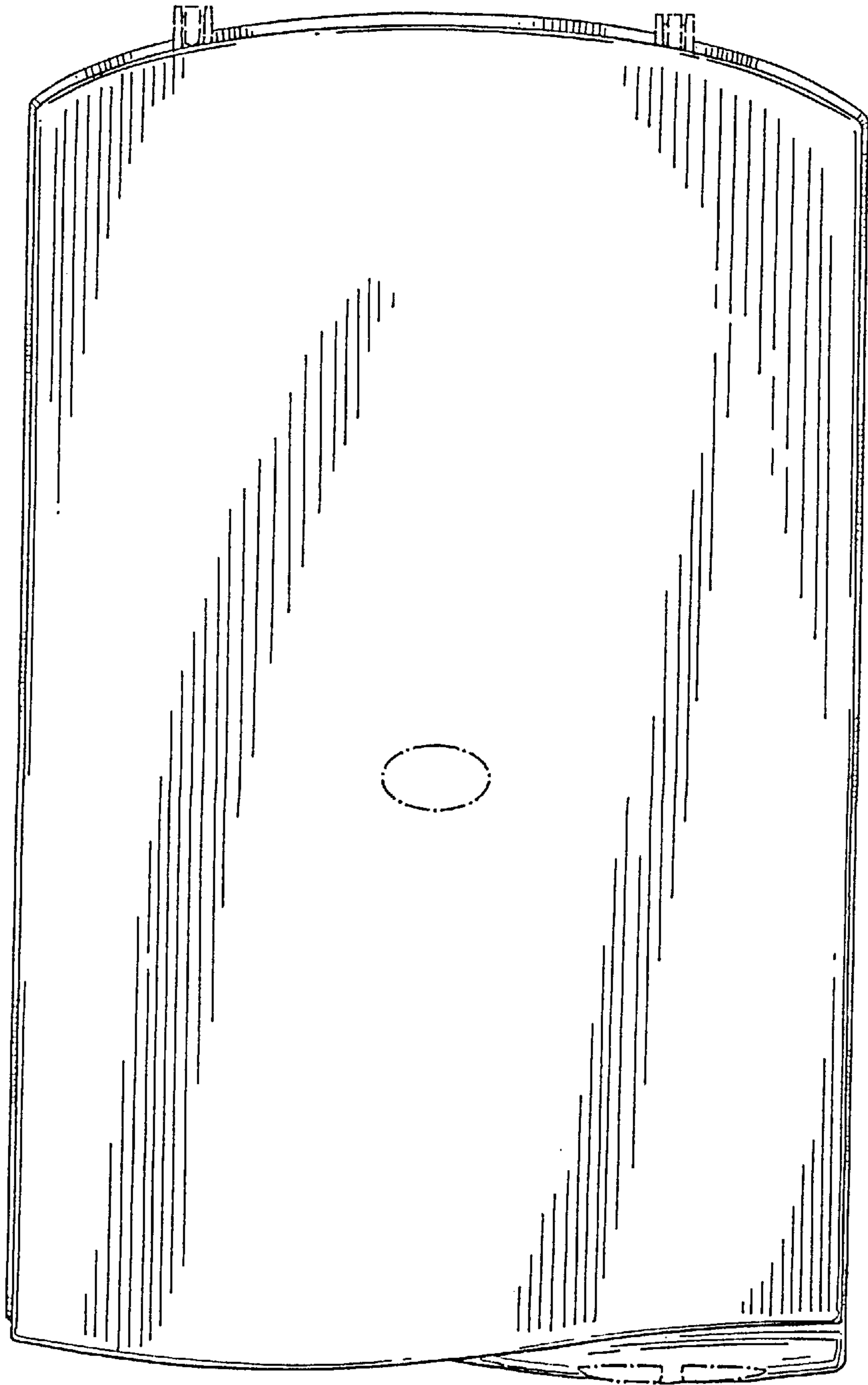


FIG. 20

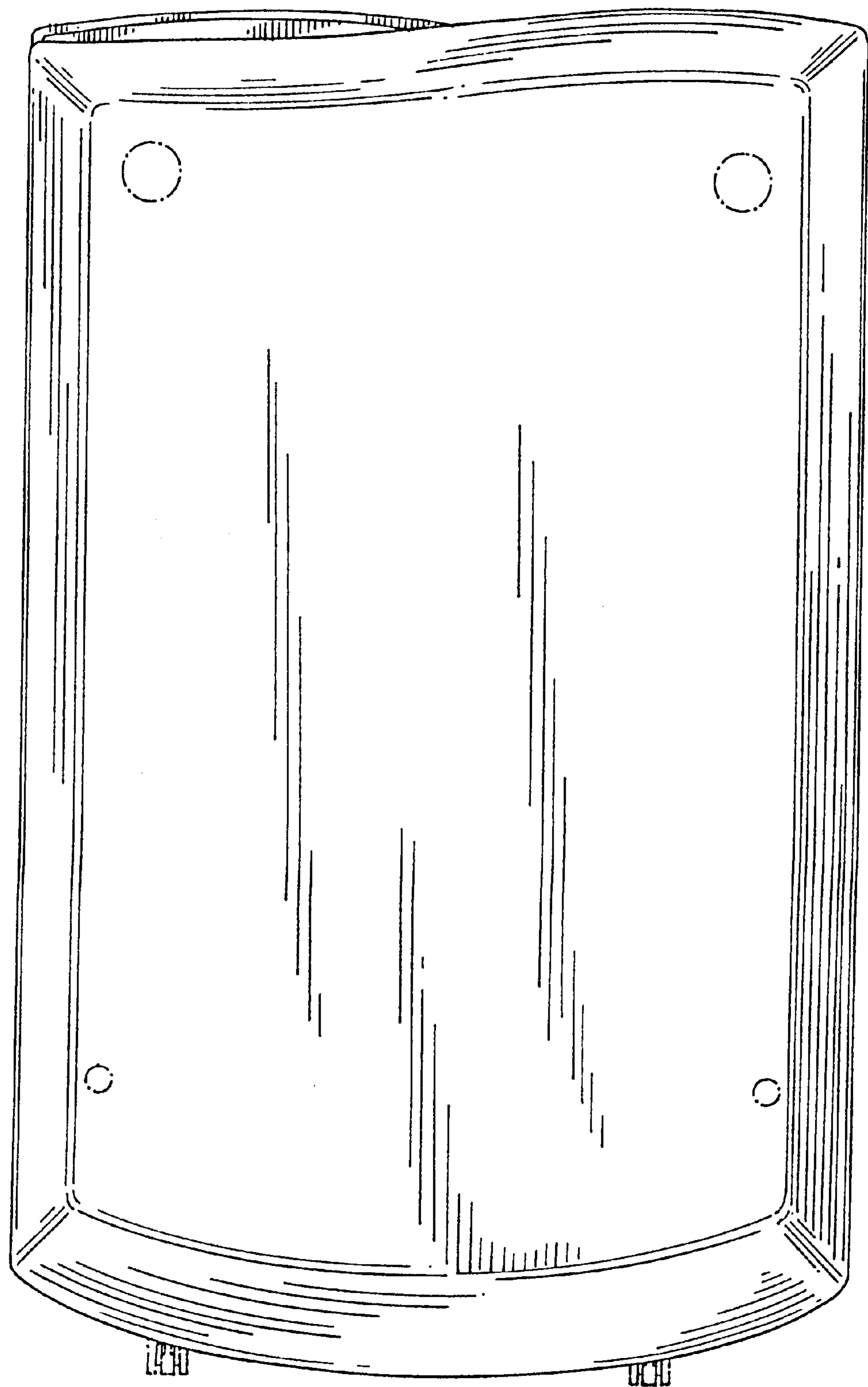


FIG. 21

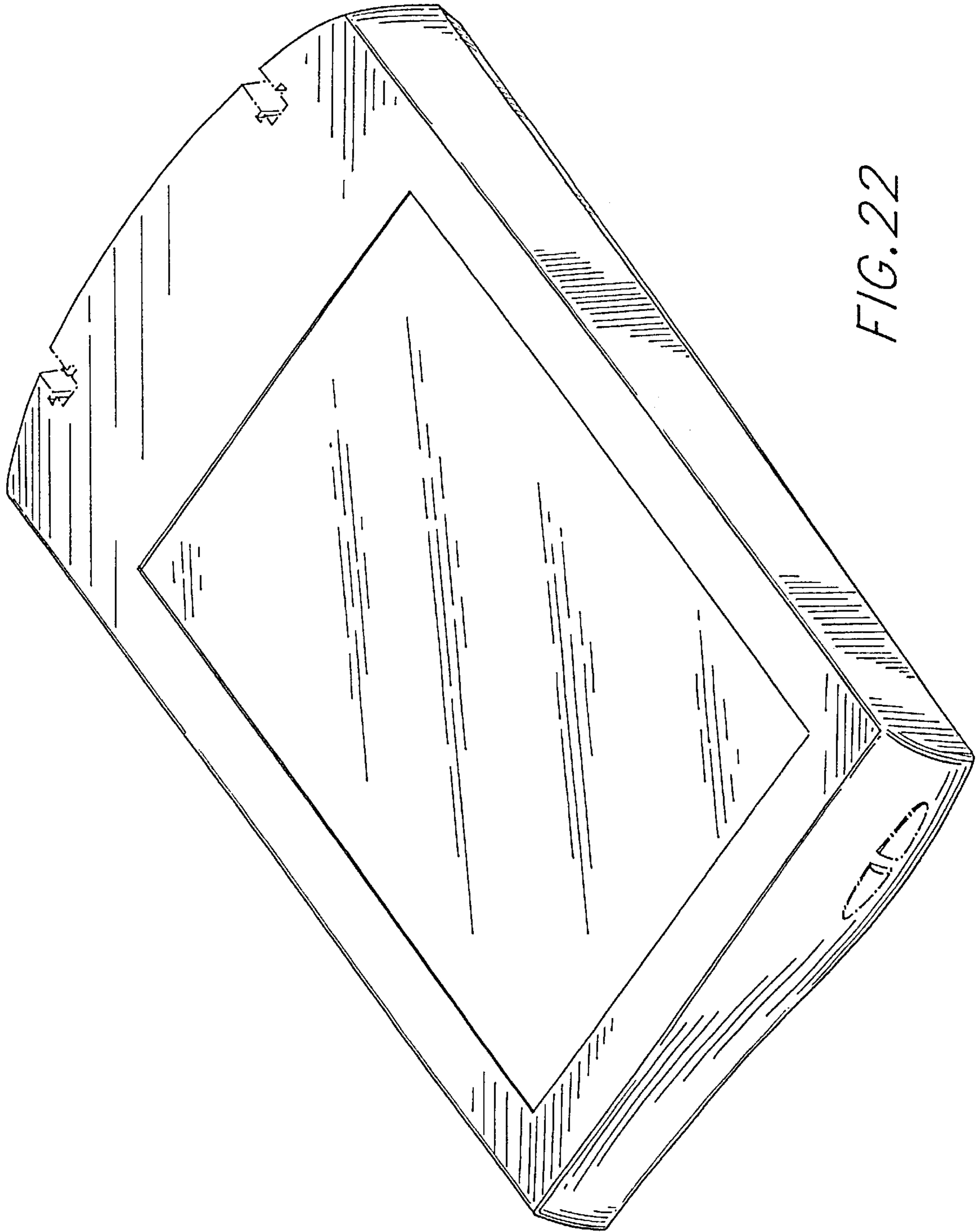


FIG. 22