



US00D450664B1

(12) **United States Design Patent**
Smith

(10) **Patent No.:** **US D450,664 S**

(45) **Date of Patent:** **** Nov. 20, 2001**

(54) **COVER FOR ELECTRONICS HOUSING**

(75) **Inventor:** **Dwight David Smith**, Lynchburg, VA (US)

(73) **Assignee:** **Telefonaktiebolaget L.M. Ericsson**, Stockholm (SE)

(**) **Term:** **14 Years**

(21) **Appl. No.:** **29/130,761**

(22) **Filed:** **Oct. 9, 2000**

(51) **LOC (7) Cl.** **13-03**

(52) **U.S. Cl.** **D13/177**

(58) **Field of Search** D13/158, 173,
D13/177, 184, 199; 174/66, 67; 200/302.1,
302.2, 333

(56) **References Cited**

U.S. PATENT DOCUMENTS

D. 274,721	7/1984	Smith	D13/40
D. 376,329	* 12/1996	Youabian	D13/184 X
D. 384,332	* 9/1997	Downie, Jr.	D13/177
D. 388,061	12/1997	Tuvy et al.	D13/152
D. 401,568	* 11/1998	Alden et al.	D13/184
D. 410,437	* 6/1999	Mowery	D13/177
D. 418,515	* 1/2000	Tucker et al.	D13/184 X
D. 437,313	2/2001	Chen et al.	D14/240
3,378,666	* 4/1968	Rys	200/302.2
5,369,548	11/1994	Combs	361/643
5,621,192	4/1997	Bordwell et al.	174/67
5,959,250	9/1999	Daoud	174/65 R
6,133,531	10/2000	Hayduke et al.	174/67

OTHER PUBLICATIONS

Design Patent Application entitled *Electronics Housing*, Ser. No. 29/130,762, filed Oct. 9, 2000.

* cited by examiner

Primary Examiner—Brian N. Vinson

(74) *Attorney, Agent, or Firm*—Myers Bigel Sibley & Sajovec, P.A.

(57) **CLAIM**

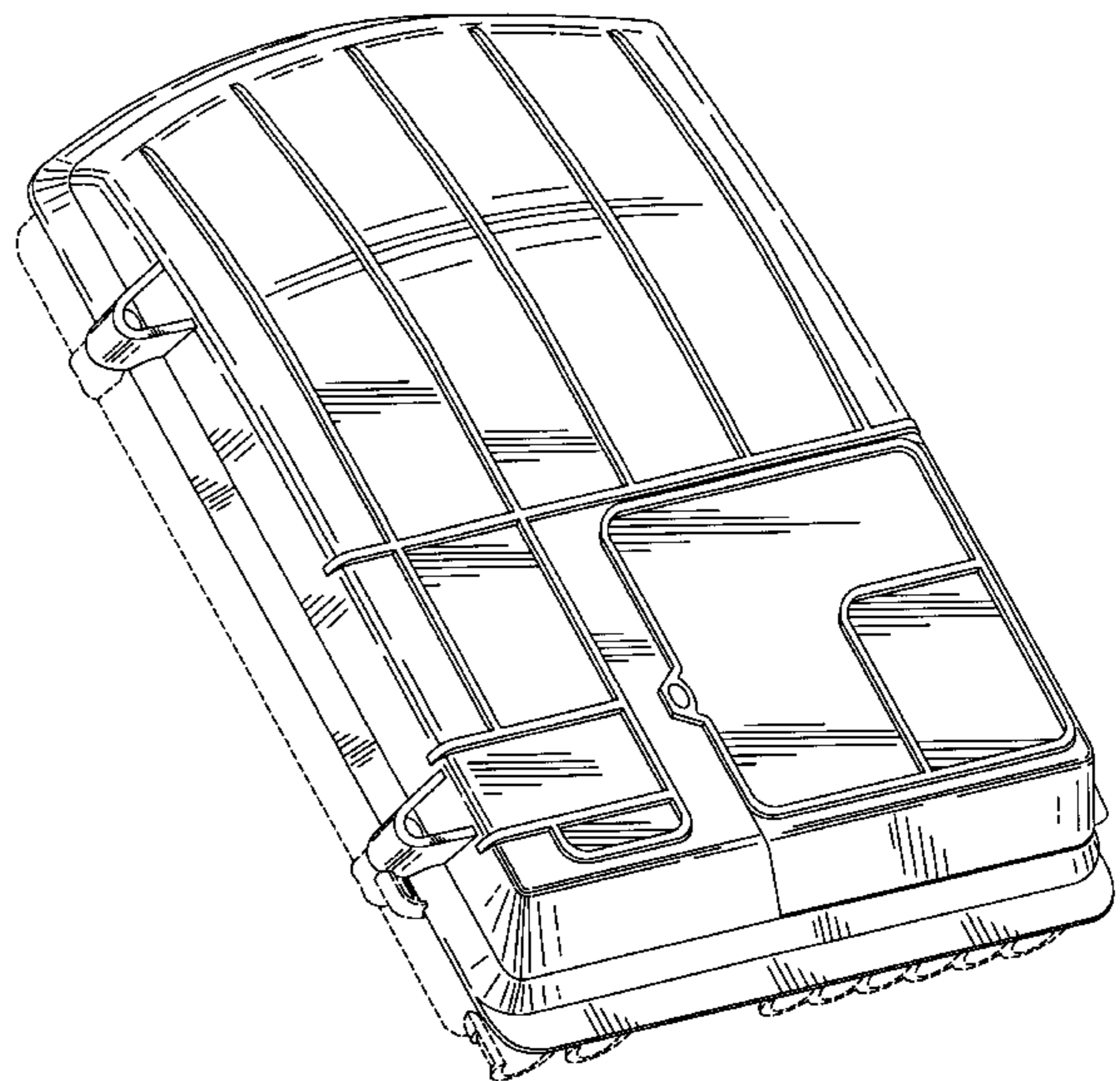
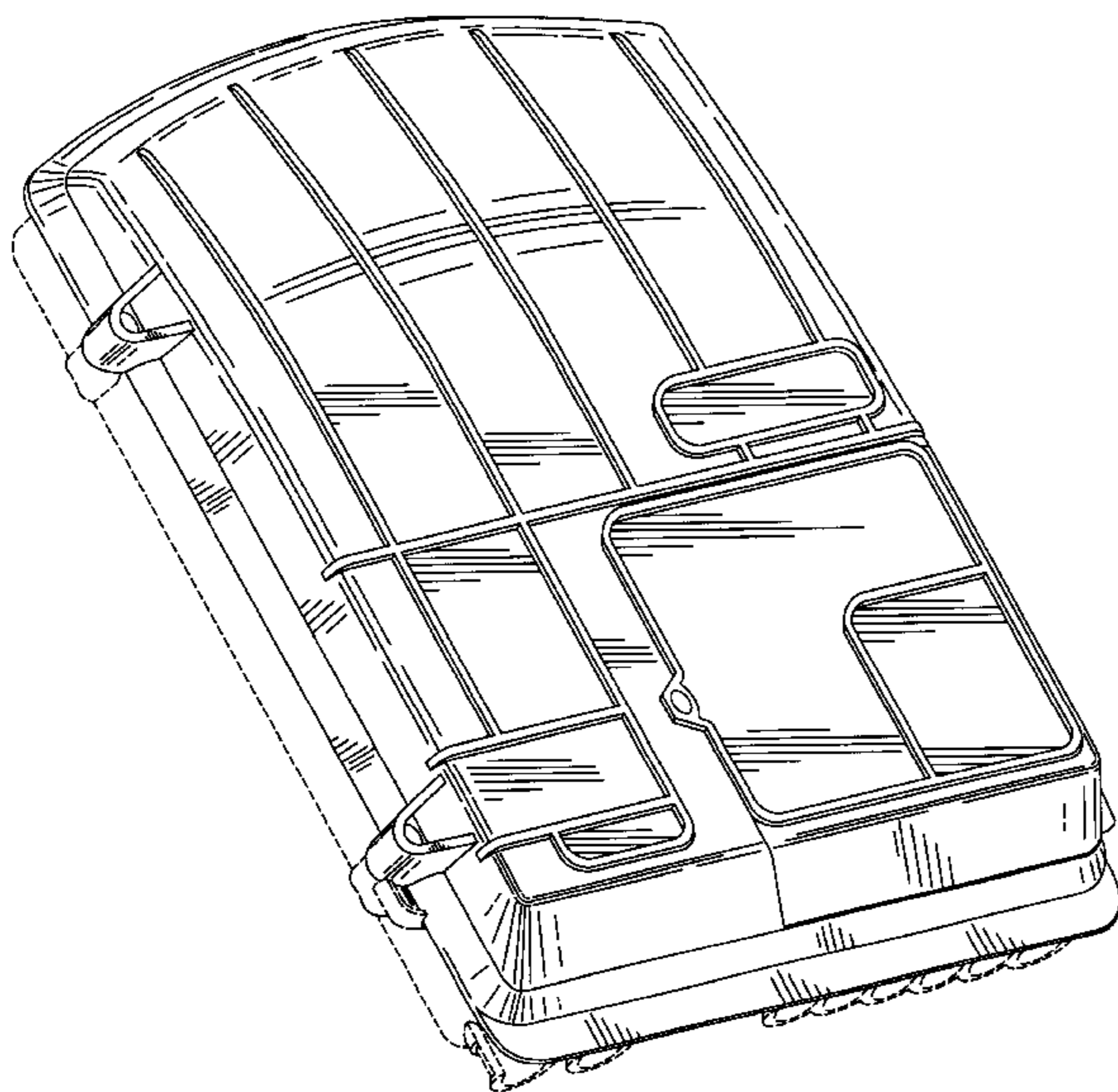
The ornamental design for a cover for electronics housing, as shown and described.

DESCRIPTION

FIG. 1 is a front perspective view of the cover for electronics housing showing my design;
FIG. 2 is a front view thereof;
FIG. 3 is a side view thereof;
FIG. 4 is an opposing side view thereof;
FIG. 5 is a bottom end view thereof;
FIG. 6 is a top end view thereof;
FIG. 7 is a front perspective view of an alternate embodiment of my design;
FIG. 8 is a front view thereof;
FIG. 9 is a side view thereof;
FIG. 10 is an opposing side view thereof;
FIG. 11 is a bottom end view thereof; and,
FIG. 12 is a top end view thereof.

The rear view of the cover for electronics housing is disclaimed as lacking ornamentality for both embodiments. The broken lines shown herein are for illustrative purposes only and form no part of the claimed design.

1 Claim, 8 Drawing Sheets



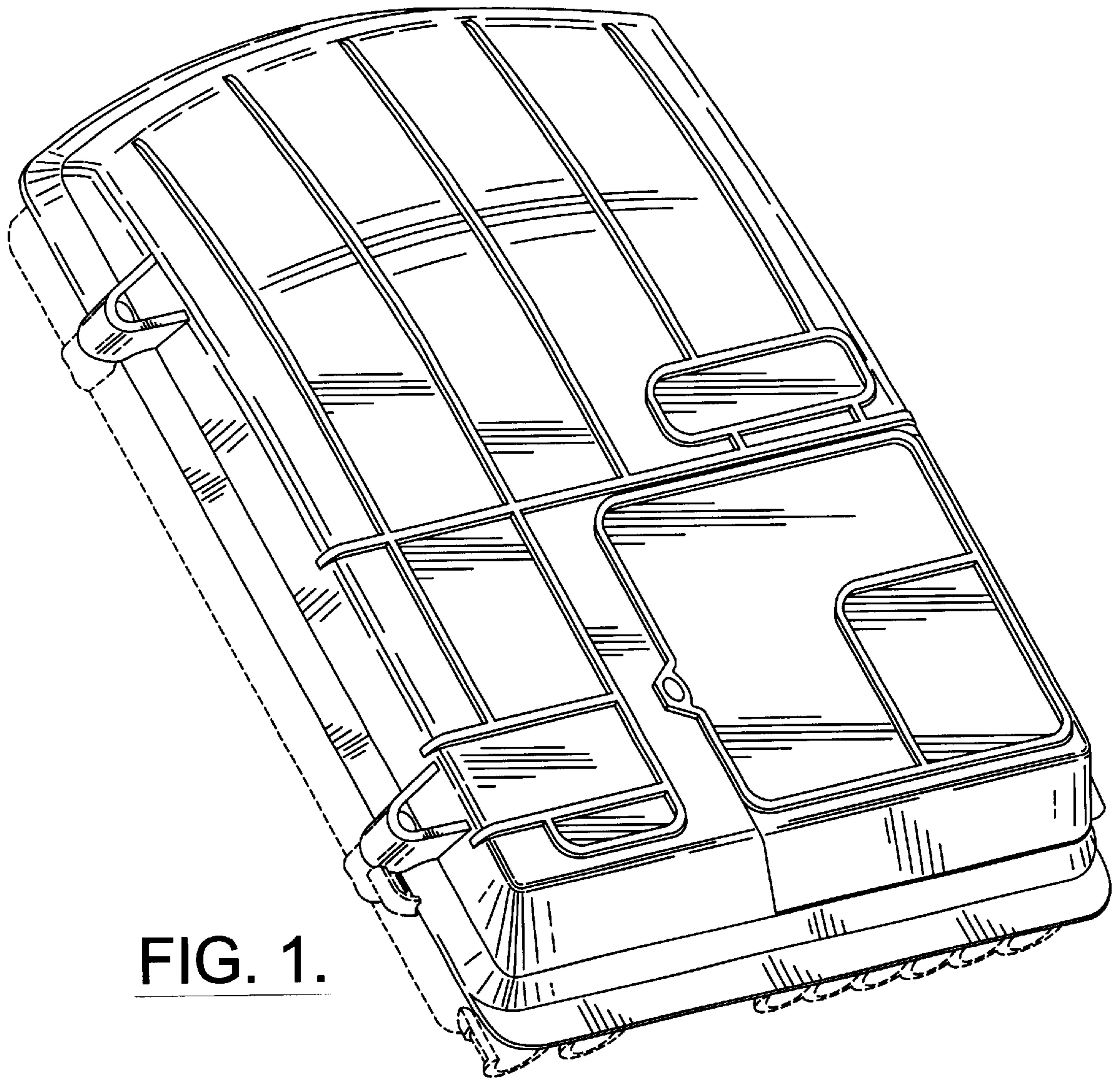


FIG. 1.

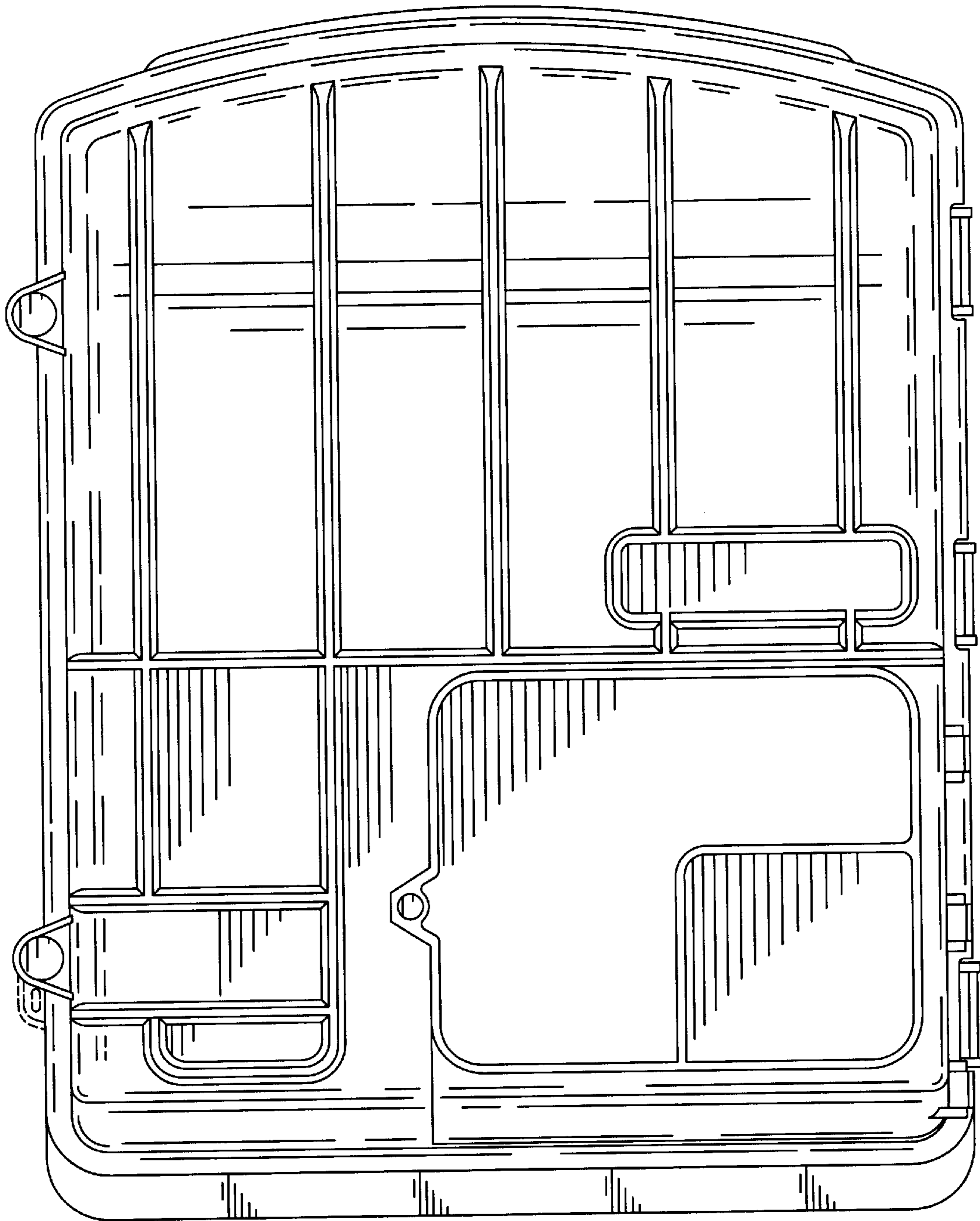


FIG. 2.

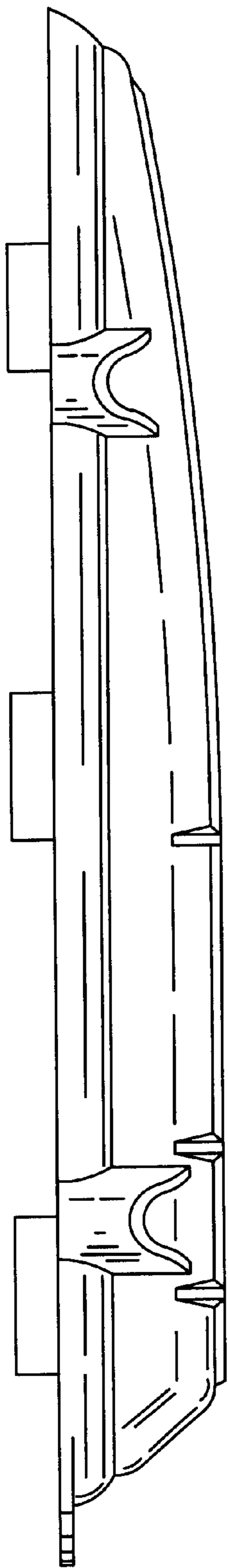


FIG. 3.

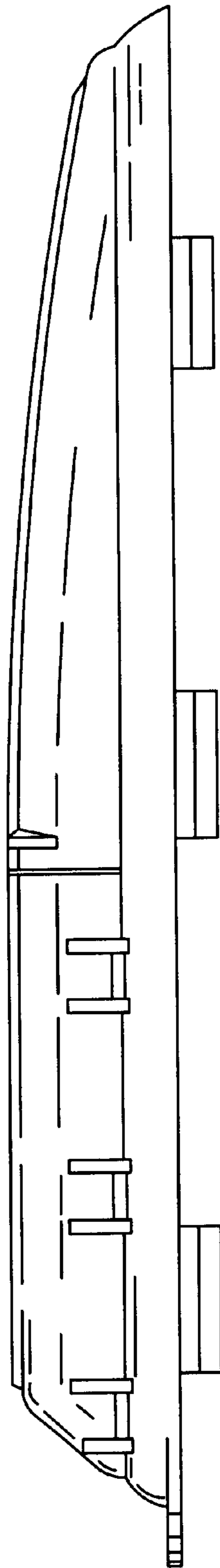


FIG. 4.

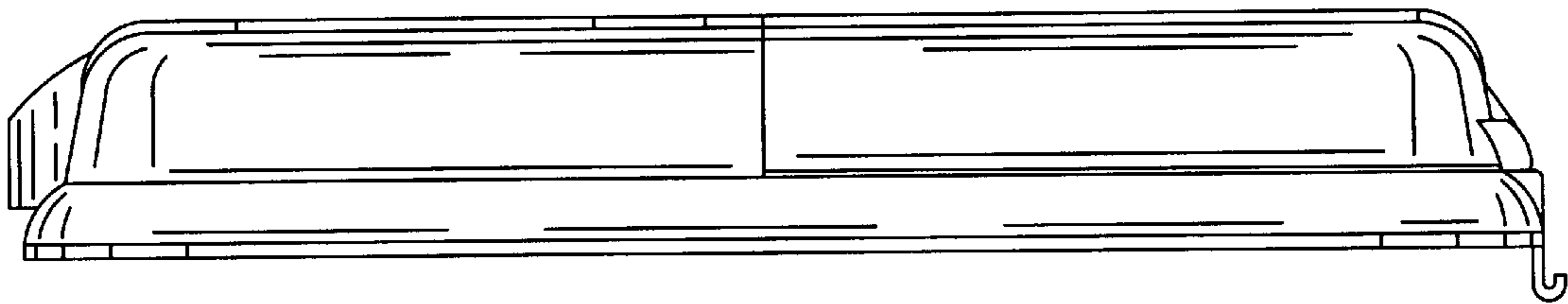


FIG. 5.

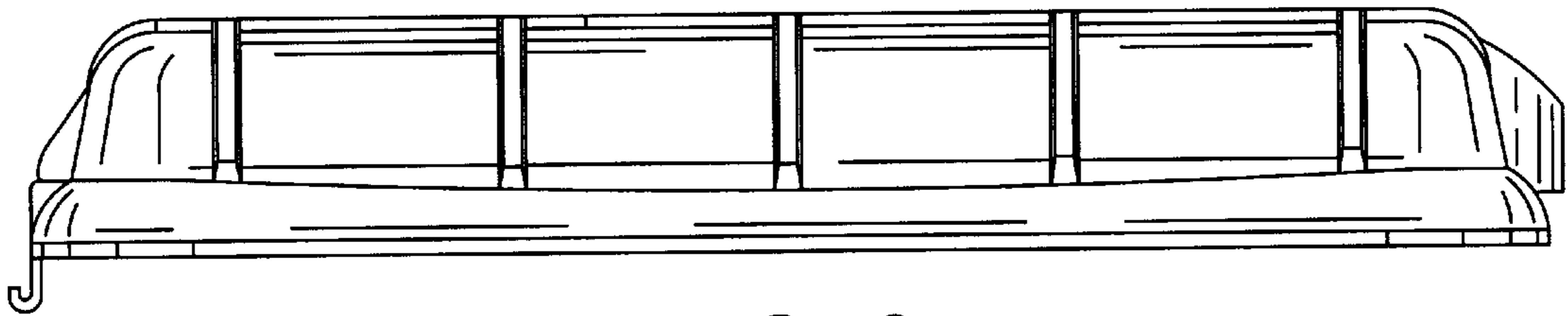


FIG. 6.

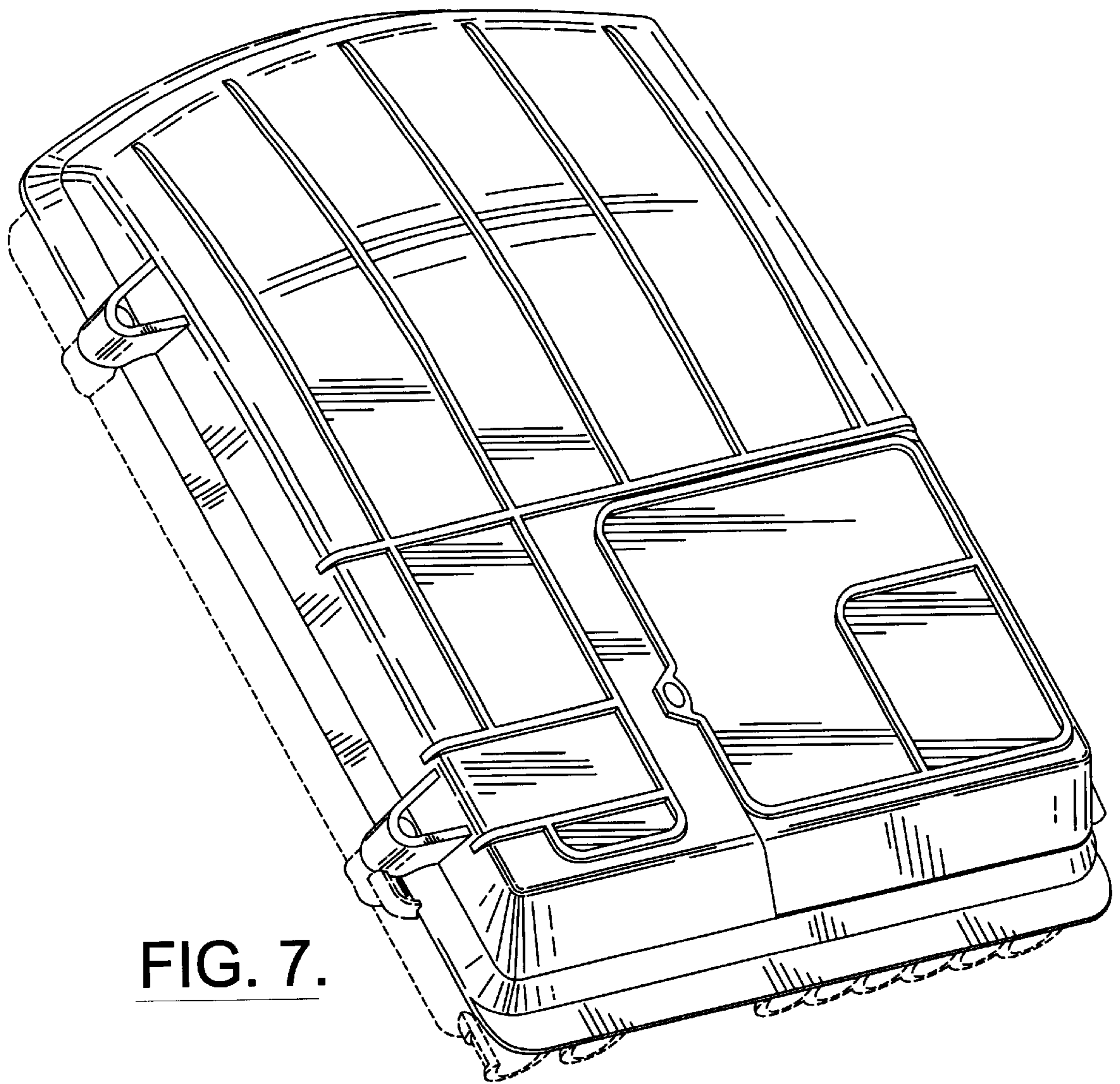


FIG. 7.

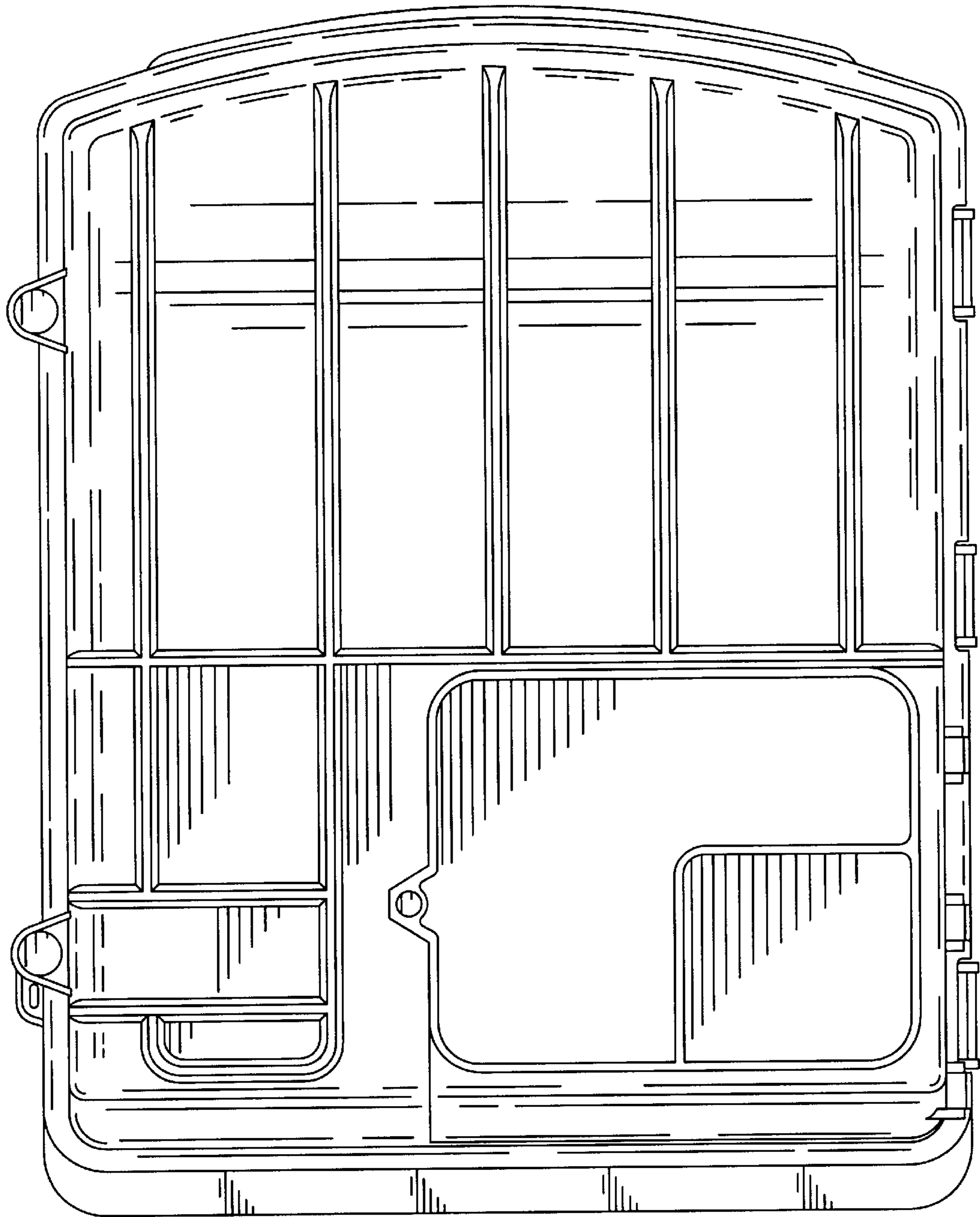


FIG. 8.

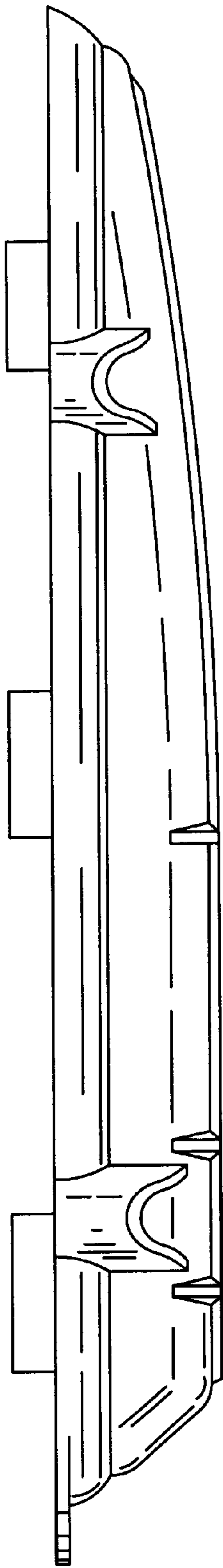


FIG. 9.

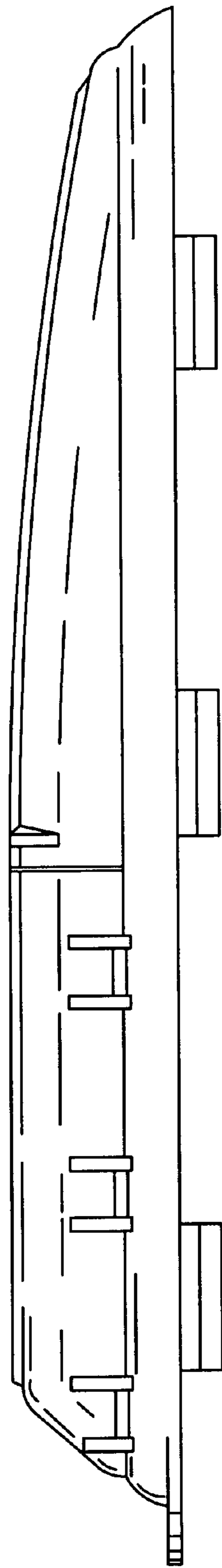


FIG. 10.

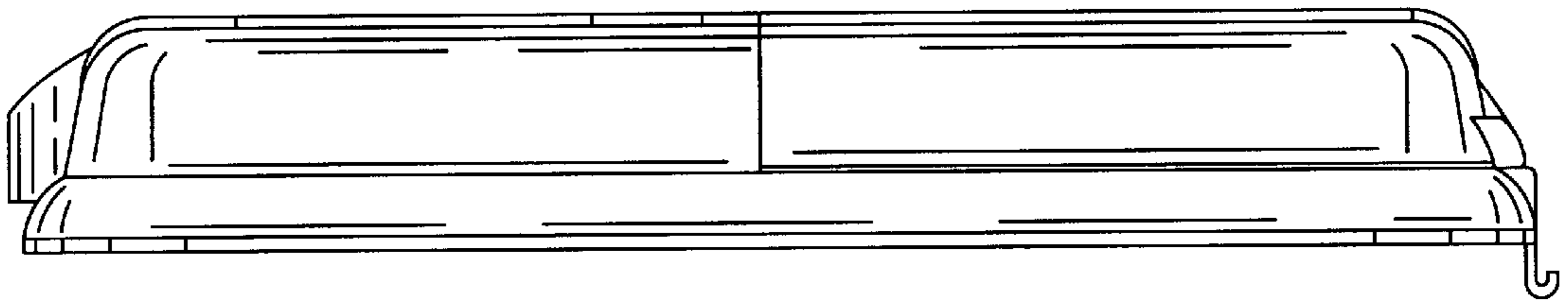


FIG. 11.

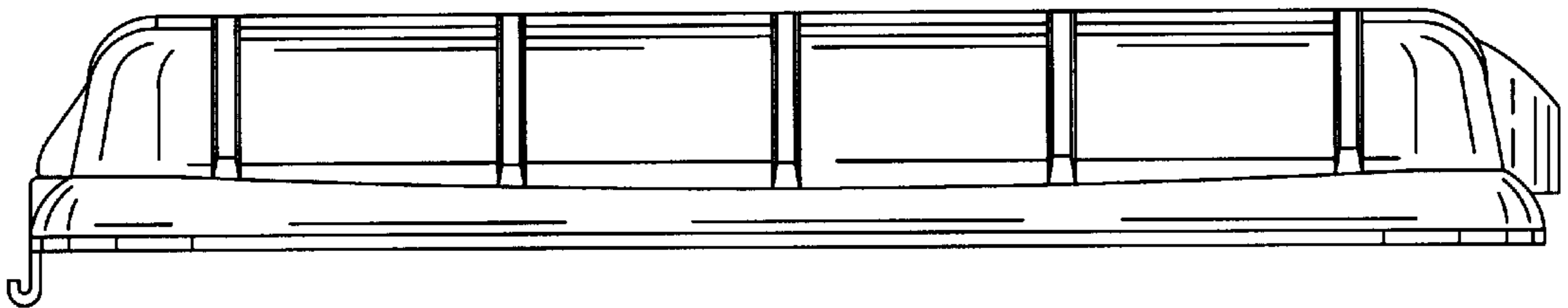


FIG. 12