



US00D450662B1

(12) **United States Design Patent**
Kwok

(10) **Patent No.:** **US D450,662 S**

(45) **Date of Patent:** **** Nov. 20, 2001**

(54) **REMOTE CONTROL DEVICE**

(75) **Inventor:** **Ronny Nam Wong Kwok, Shatin (HK)**

(73) **Assignee:** **Saitek Ltd., Kowloon (HK)**

(**) **Term:** **14 Years**

(21) **Appl. No.:** **29/130,005**

(22) **Filed:** **Sep. 25, 2000**

(51) **LOC (7) Cl.** **14-03**

(52) **U.S. Cl.** **D13/168**

(58) **Field of Search** D13/168; D14/174,
D14/191, 218; D10/106; D21/234; 200/293-293.1,
298, 330-331; 340/825.22-825.23, 825.69,
825.72; 341/176; 455/128

(56) **References Cited**

U.S. PATENT DOCUMENTS

- D. 310,349 * 9/1990 Rowen D13/168
- D. 375,057 * 10/1996 Heun D14/218 X
- D. 391,924 * 3/1998 Mayo et al. D13/168
- D. 407,695 * 4/1999 Hwang D13/168

- D. 436,083 * 1/2001 Kishita et al. D13/168
- D. 440,208 * 4/2001 Lynch et al. D13/168
- 4,768,230 * 8/1988 Viebrantz et al. D13/168 X
- 5,606,143 * 2/1997 Young D13/168 X

* cited by examiner

Primary Examiner—Brian N. Vinson

(74) *Attorney, Agent, or Firm*—Foley, Hoag & Eliot LLP

(57) **CLAIM**

The ornamental design for a “remote control device”, as shown and described.

DESCRIPTION

FIG. 1 is a perspective view from above of “remote control device”;

FIG. 2 is a perspective view from from below;

FIG. 3 is a left side elevational view thereof;

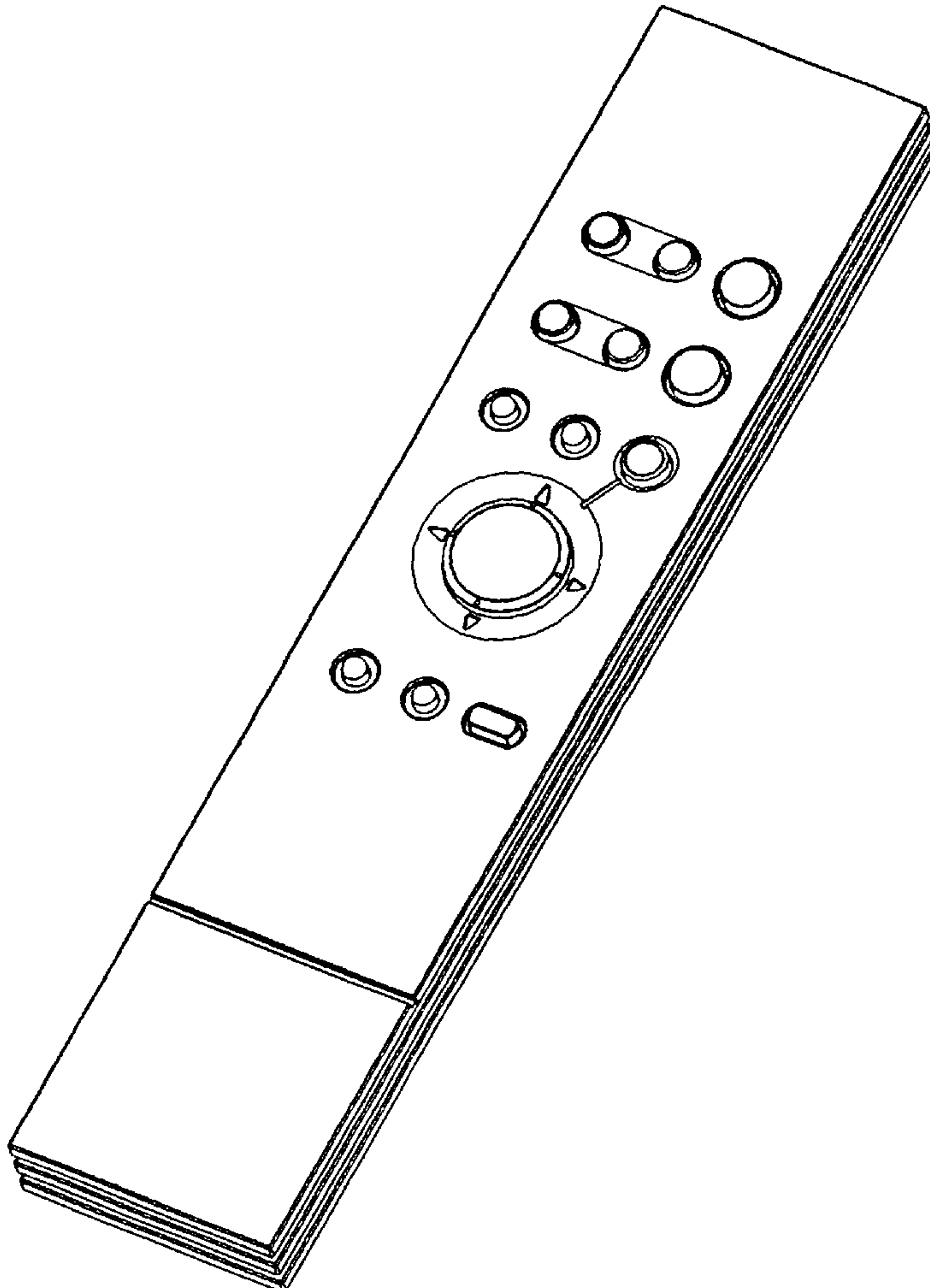
FIG. 4 is a right side elevational view thereof;

FIG. 5 is a top plan view thereof;

FIG. 6 is a front elevational view thereof; and,

FIG. 7 is a rear elevational view thereof.

1 Claim, 5 Drawing Sheets



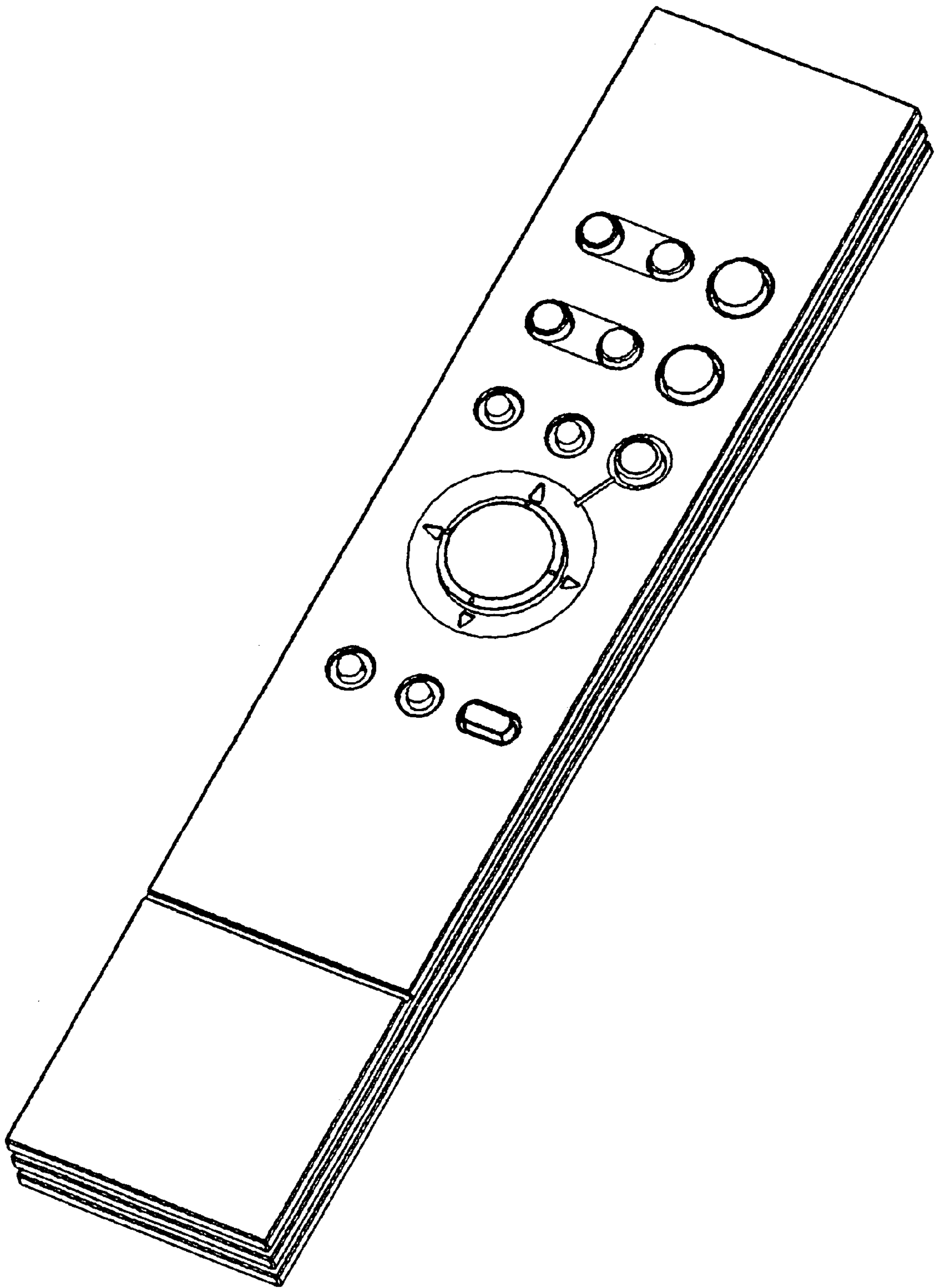


FIG. 1

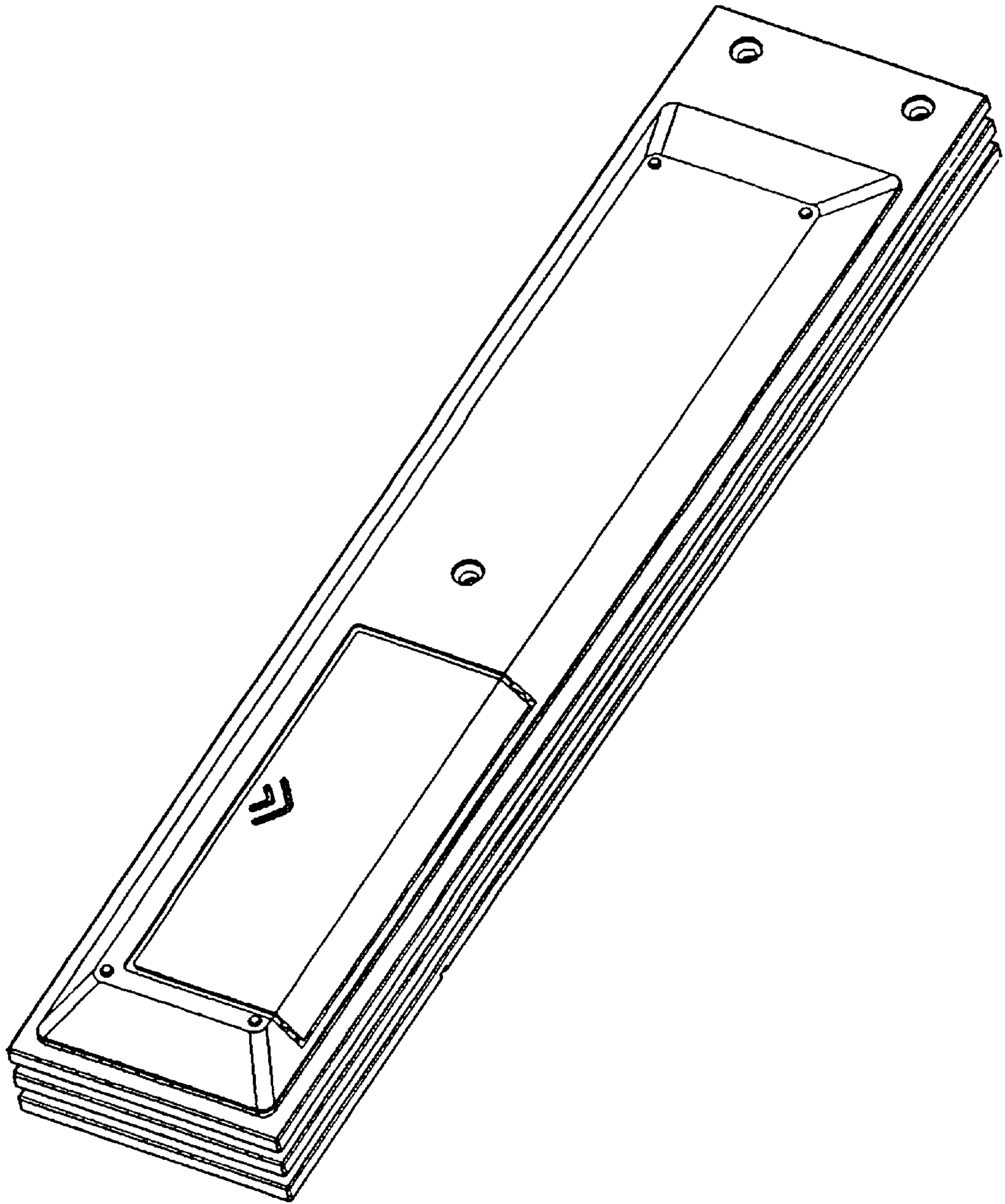


FIG. 2

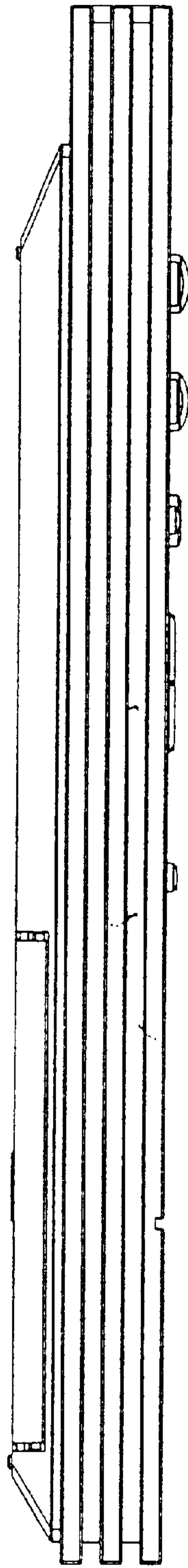


FIG. 3

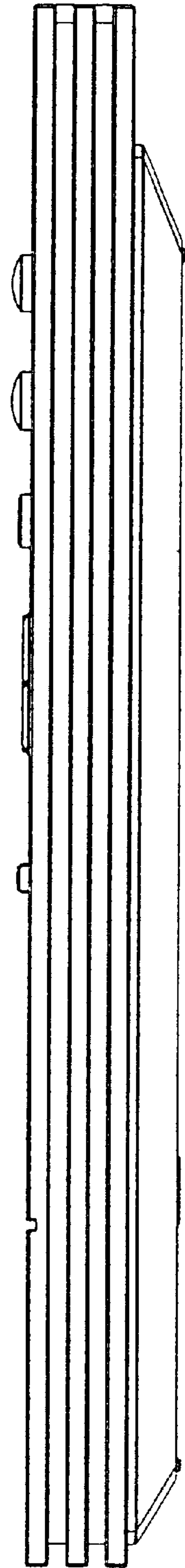


FIG. 4

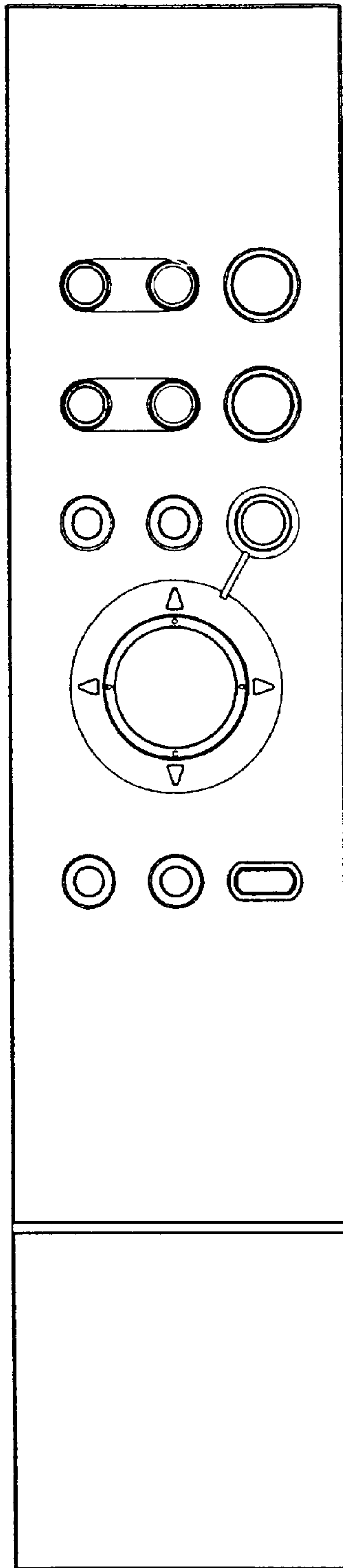


FIG. 5

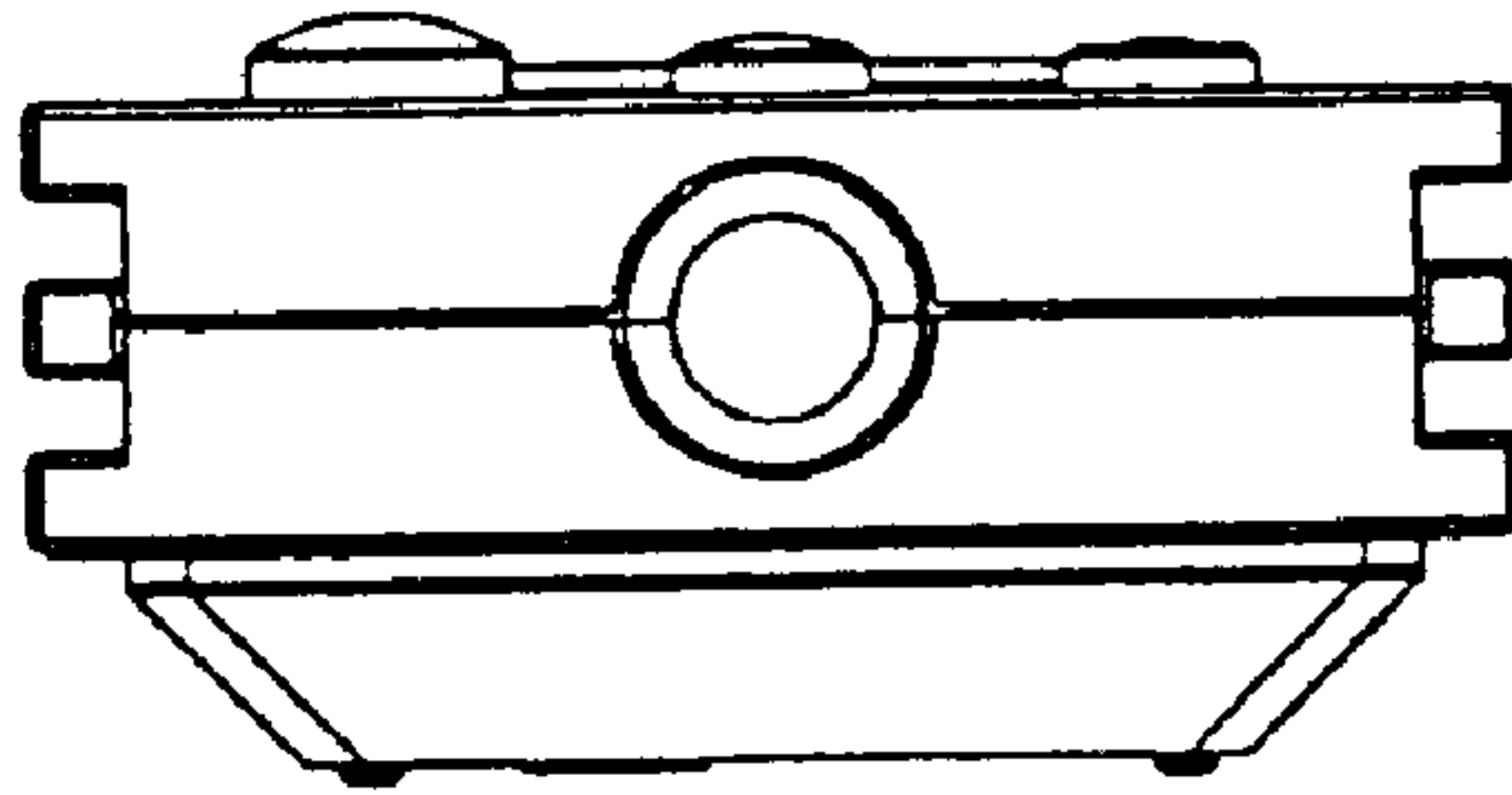


FIG. 6

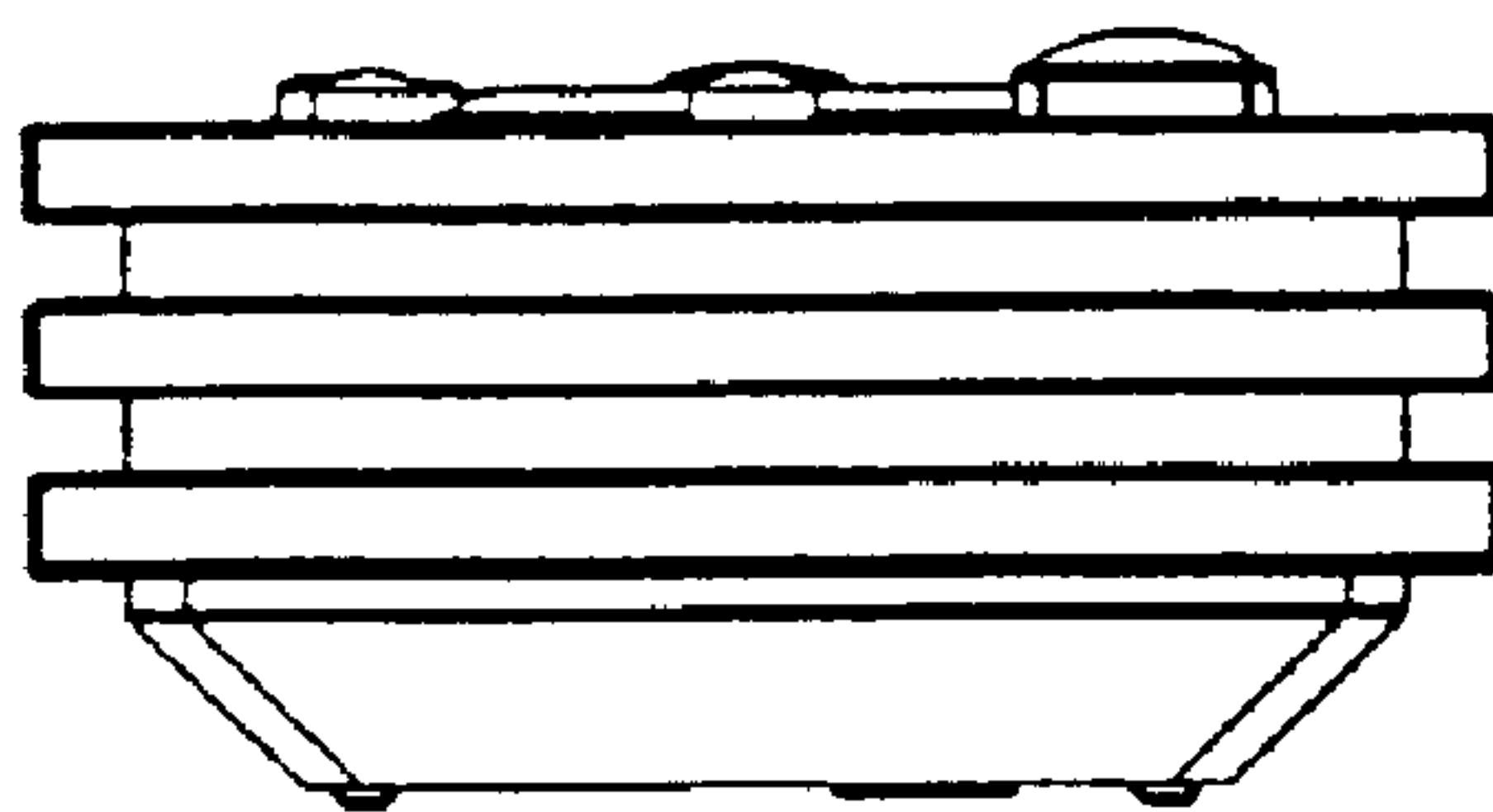


FIG. 7