



US00D450660B1

(12) **United States Design Patent**
Seymour et al.

(10) **Patent No.:** **US D450,660 S**

(45) **Date of Patent:** **** Nov. 20, 2001**

(54) **SINGLE POLE ARC FAULT CIRCUIT BREAKER**

(75) Inventors: **Raymond K. Seymour**, Plainville;
Michael C. Guerrette, East Bristol,
both of CT (US); **Douglas Tilghman**,
Marlton, NJ (US); **Frederick W.**
Glabau, Kensington, CT (US); **Henry**
H. Mason, Jr., Farmington, CT (US);
Brenda Zhang, West Hartford, CT
(US); **Murali Magham**, Secunderabad
(IN)

(73) Assignee: **General Electric Company**,
Schenectady, NY (US)

(**) Term: **14 Years**

(21) Appl. No.: **29/121,883**

(22) Filed: **Apr. 14, 2000**

(51) **LOC (7) Cl.** **13-03**

(52) **U.S. Cl.** **D13/160**

(58) **Field of Search** D13/158-160;
200/237, 293, 297, 302.3, 330

(56) **References Cited**

U.S. PATENT DOCUMENTS

D. 233,241 * 10/1974 Mune D13/160

D. 316,403 * 4/1991 Mercer et al. D13/160
D. 320,783 * 10/1991 Sharp et al. D13/160
D. 355,642 * 2/1995 Marach et al. D13/160
D. 359,948 * 7/1995 Merlin D13/160
D. 442,146 * 5/2001 Greenberg et al. D13/160

* cited by examiner

Primary Examiner—Brian N. Vinson

(74) *Attorney, Agent, or Firm*—Cantor Colburn LLP; Carl
B. Horton

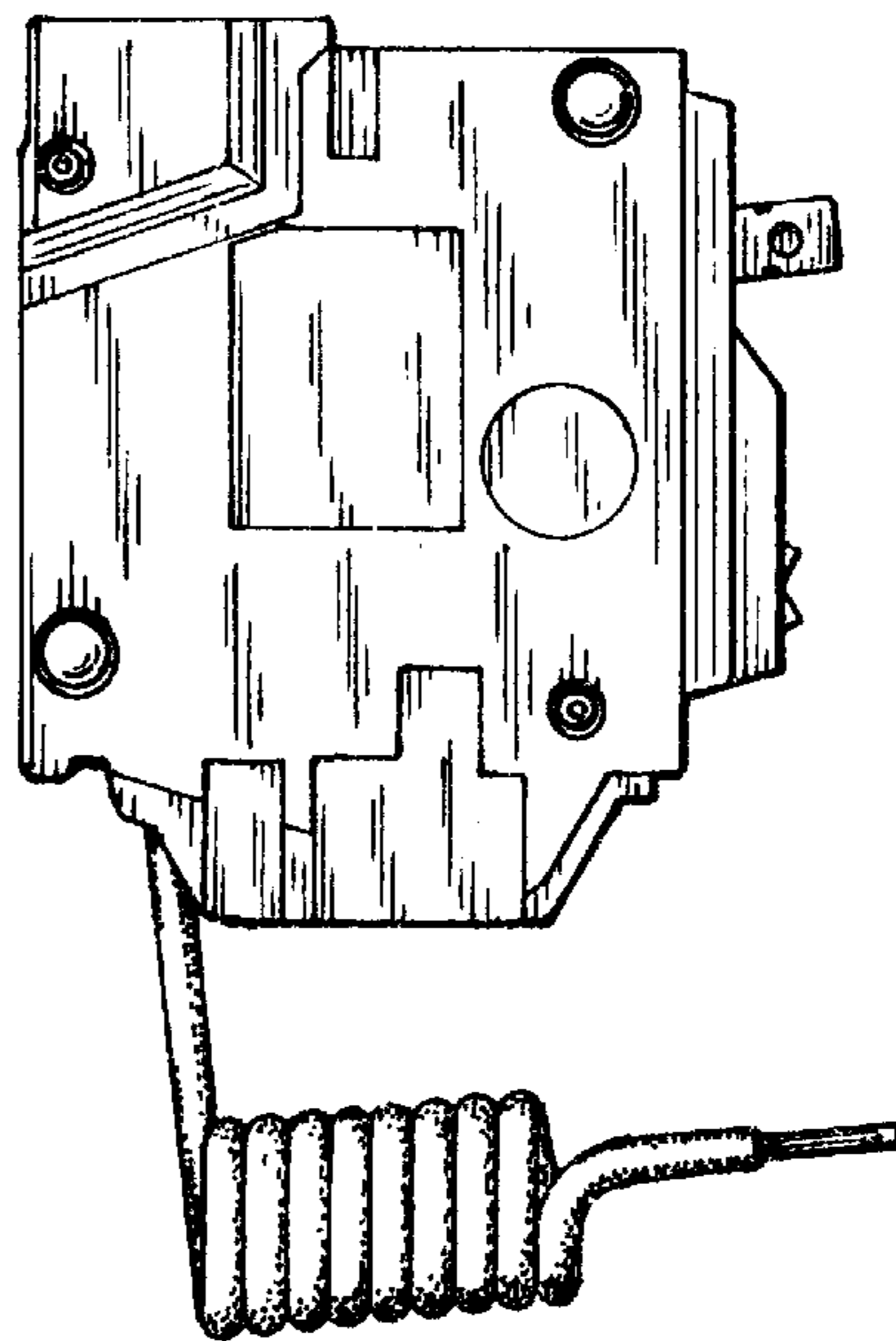
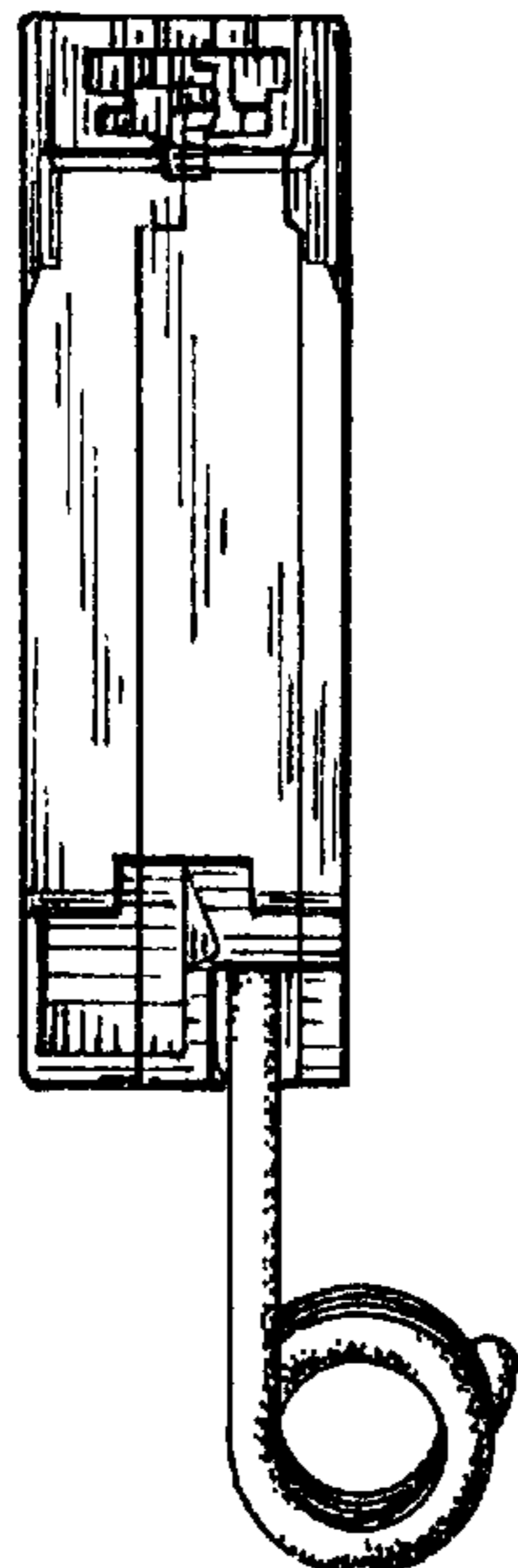
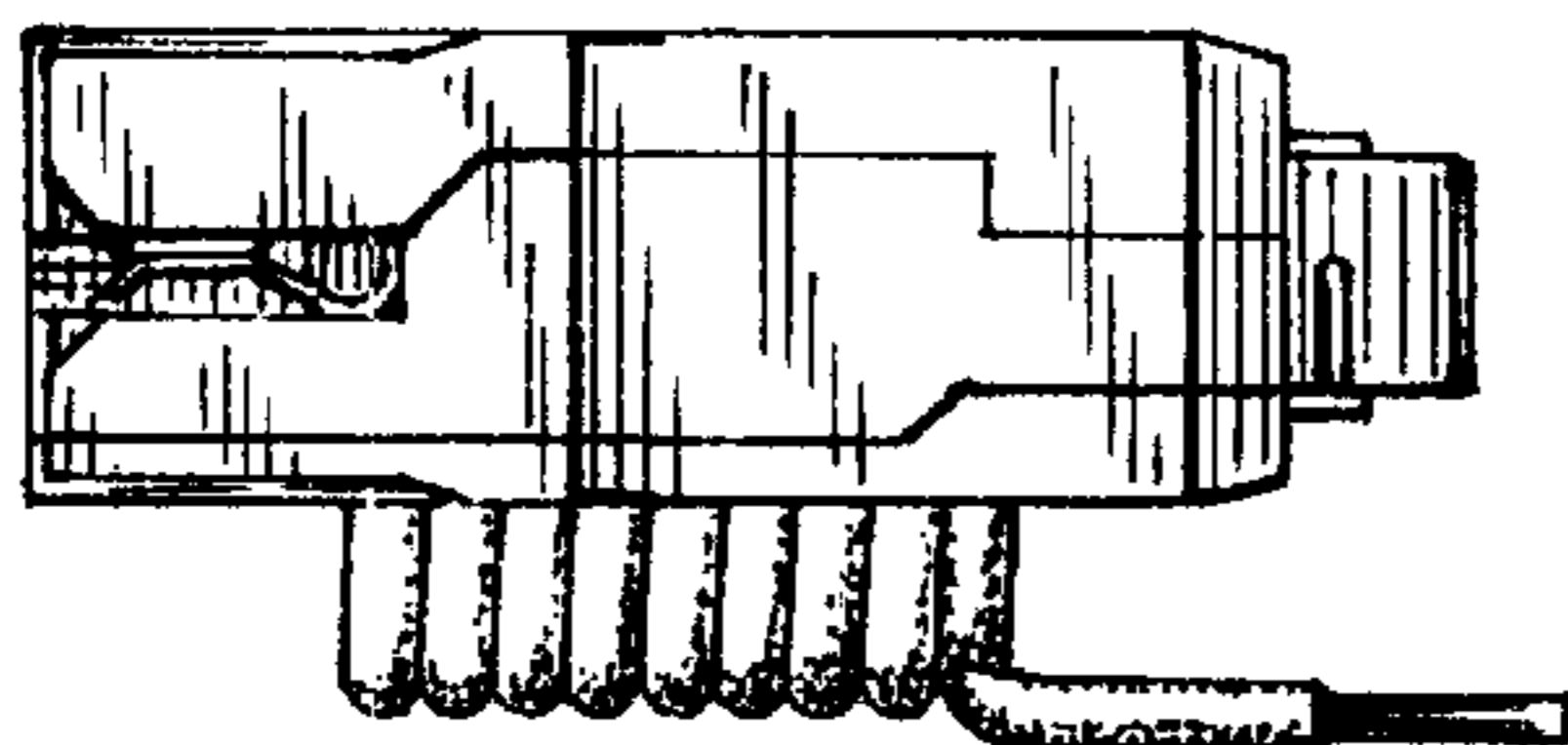
(57) **CLAIM**

The ornamental design for a single pole arc fault circuit
breaker, as shown and described.

DESCRIPTION

FIG. 1 is a top plan view of a single pole arc fault circuit
breaker;
FIG. 2 is a back elevation view of single pole arc fault circuit
breaker;
FIG. 3 is a left elevation view of single pole arc fault circuit
breaker;
FIG. 4 is a front elevation view of single pole arc fault circuit
breaker;
FIG. 5 is a bottom plan view of single pole arc fault circuit
breaker; and,
FIG. 6 is a right elevation view of single pole arc fault circuit
breaker.

1 Claim, 2 Drawing Sheets



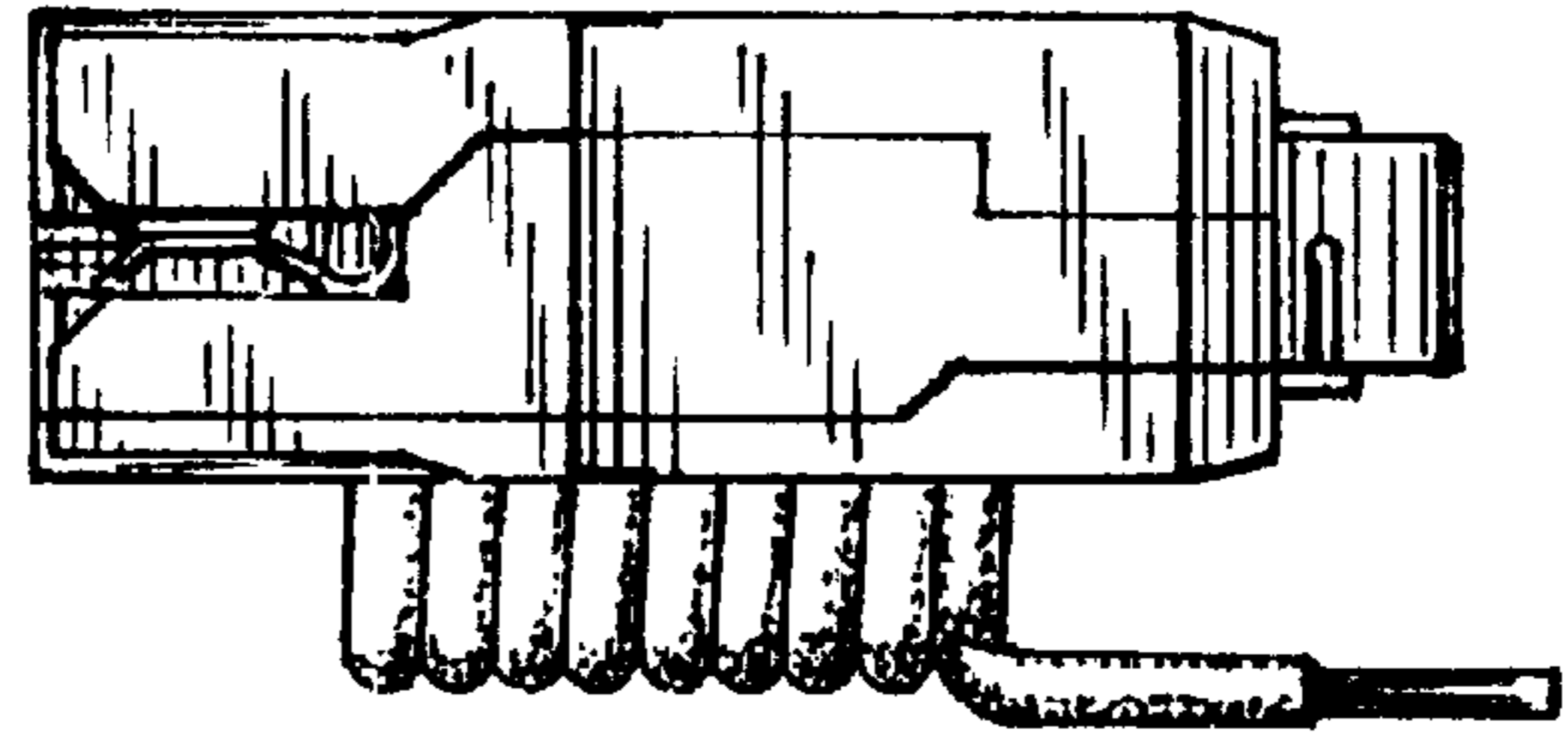


FIG. 1

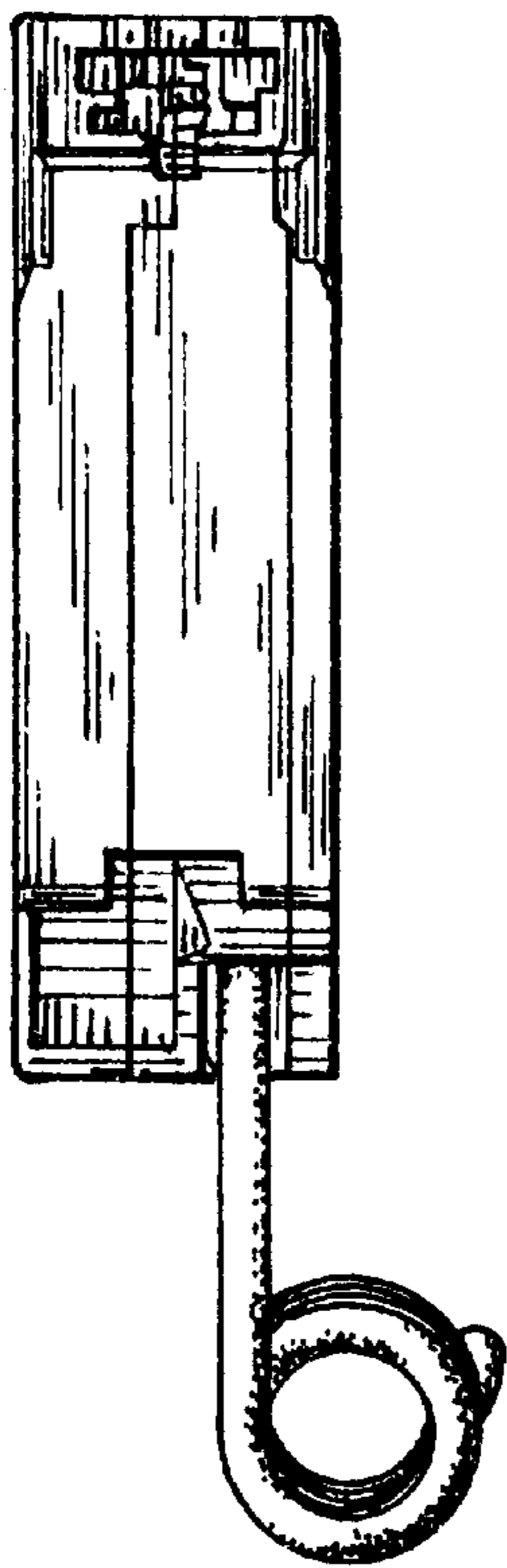


FIG. 2

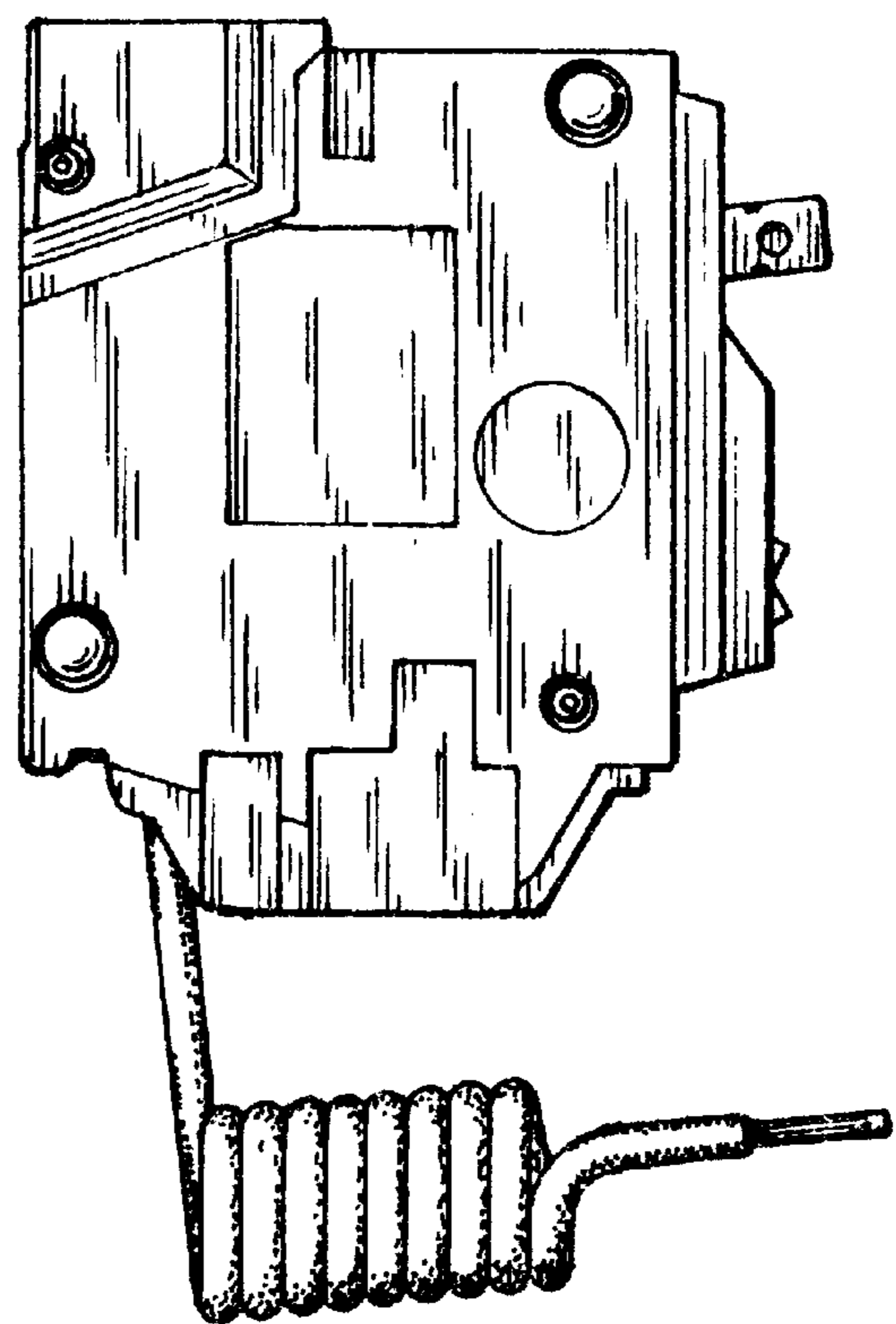


FIG. 3

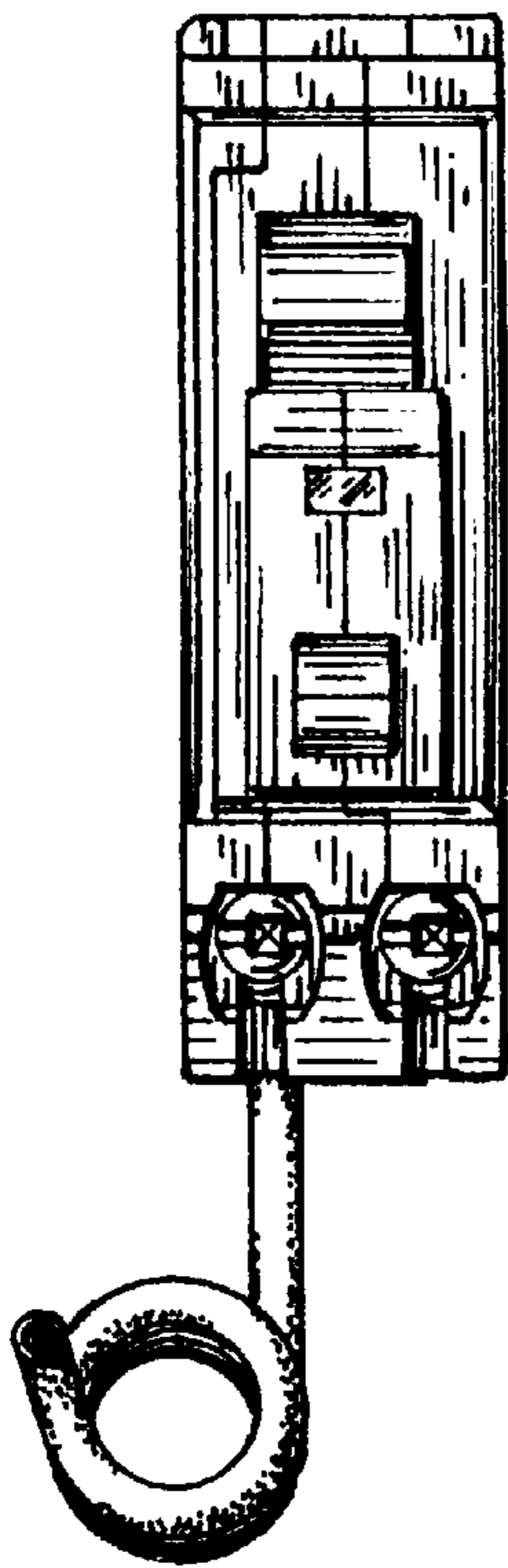


FIG. 4

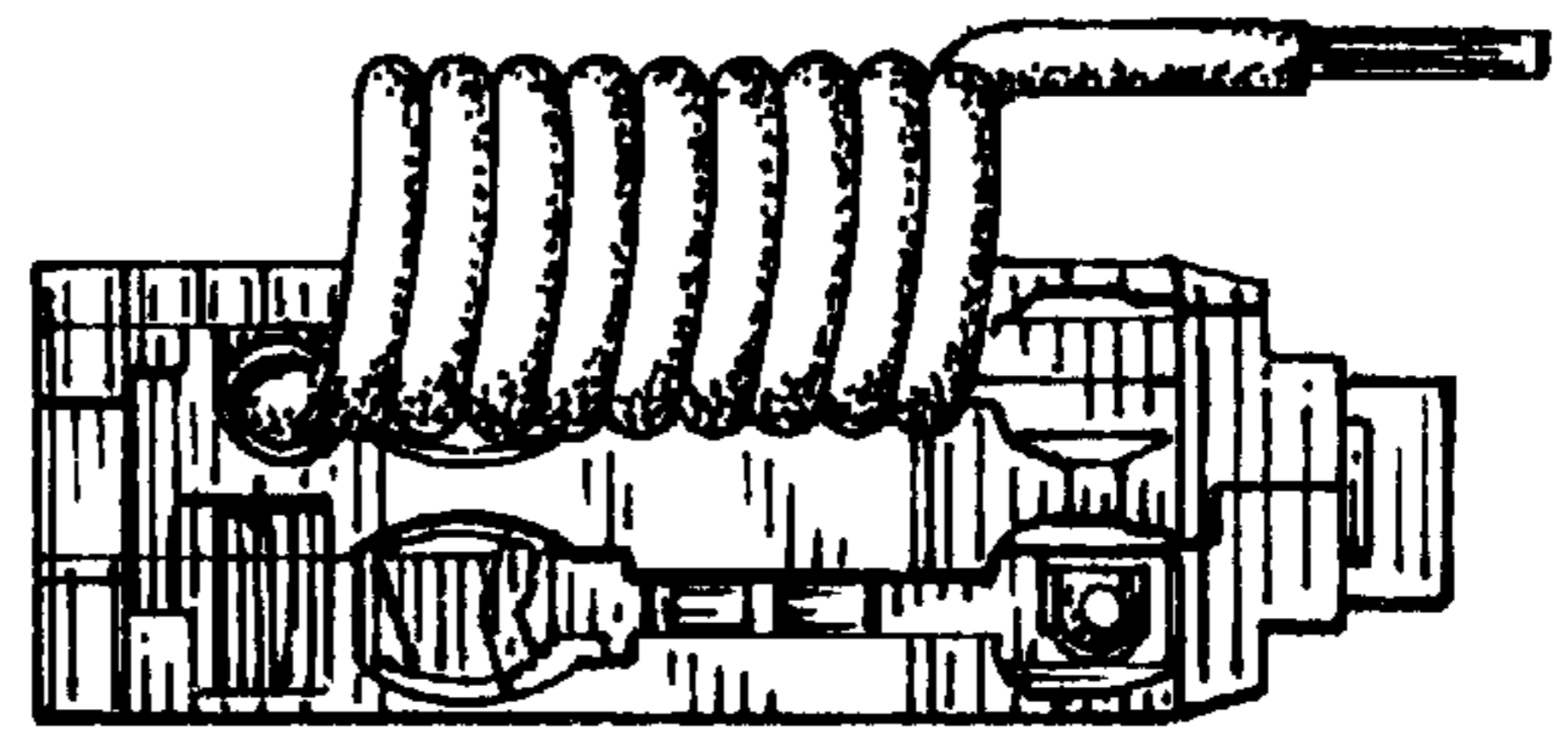


FIG. 5

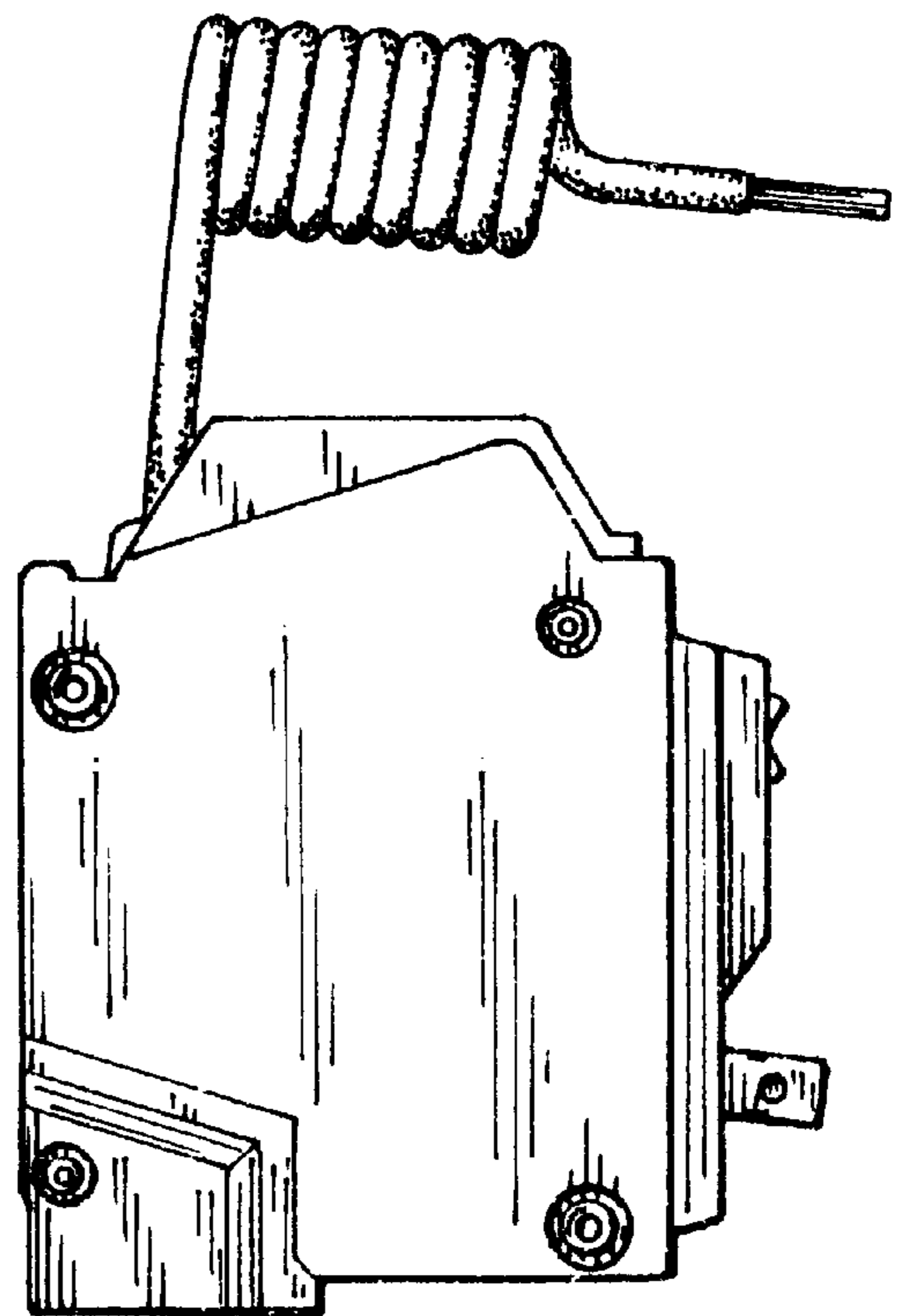


FIG. 6