



US00D450659B1

(12) **United States Design Patent**
Hu et al.

(10) **Patent No.:** **US D450,659 S**

(45) **Date of Patent:** **** Nov. 20, 2001**

(54) **ELECTRICAL CONNECTOR**

(75) Inventors: **Bingbo Hu; Qisheng Zheng**, both of
Kunsan (CN)

(73) Assignee: **Hon Hai Precision Ind. Co., Ltd.**,
Taipei Hsien (TW)

(**) Term: **14 Years**

(21) Appl. No.: **29/138,265**

(22) Filed: **Mar. 8, 2001**

(30) **Foreign Application Priority Data**

Sep. 14, 2000 (TW) 089306190

(51) **LOC (7) Cl.** **13-03**

(52) **U.S. Cl.** **D13/147**

(58) **Field of Search** D13/133, 146,
D13/147; 439/607, 668, 188, 541.5

(56) **References Cited**

U.S. PATENT DOCUMENTS

- D. 377,336 * 1/1997 Tan et al. D13/147
- D. 379,969 * 6/1997 Tan D13/147
- D. 432,083 * 10/2000 Chang D13/133

- 5,695,362 * 12/1997 Hillbish et al. 439/541.5
- 6,056,594 * 5/2000 Ching 439/541.5
- 6,083,044 * 7/2000 Wang et al. 439/567
- 6,109,936 * 8/2000 Tan et al. 439/92
- 6,168,462 * 1/2001 Liao 439/541.5
- 6,179,653 * 1/2001 Cheng et al. 439/541.5
- 6,200,161 * 3/2001 McClinton et al. 439/541.5
- 6,234,833 * 5/2001 Tsai et al. 439/188 X

* cited by examiner

Primary Examiner—Joel Sincavage

(74) *Attorney, Agent, or Firm*—Wei Te Chung

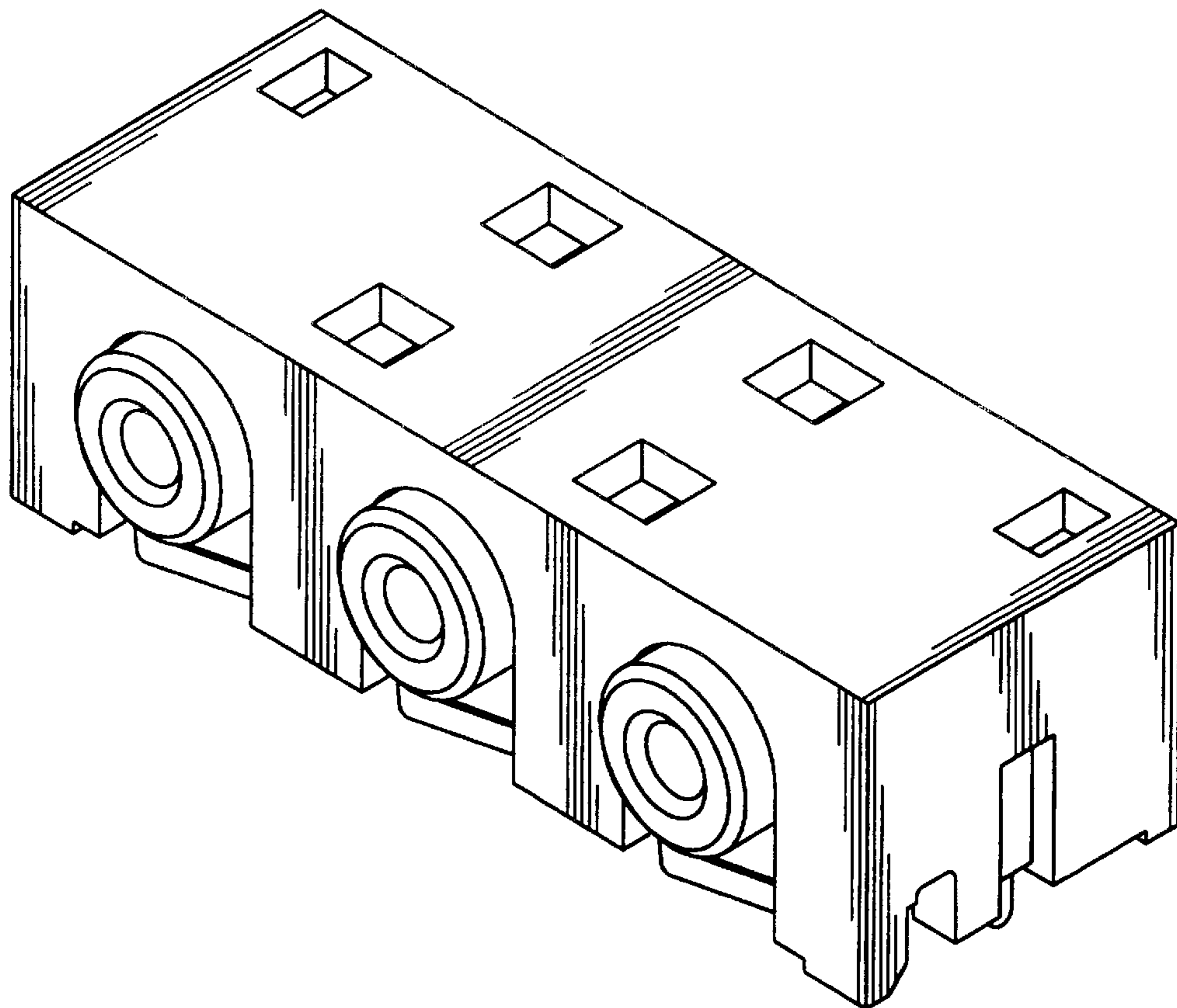
(57) **CLAIM**

The ornamental design for an electrical connector, as shown.

DESCRIPTION

FIG. 1 is a front, top and right side perspective view of an electrical connector showing our new design;
 FIG. 2 is a front elevational view thereof;
 FIG. 3 is a rear elevational view thereof;
 FIG. 4 is a left side elevational view thereof;
 FIG. 5 is a right side elevational view thereof;
 FIG. 6 is a top plan view thereof; and,
 FIG. 7 is a bottom plan view thereof.

1 Claim, 6 Drawing Sheets



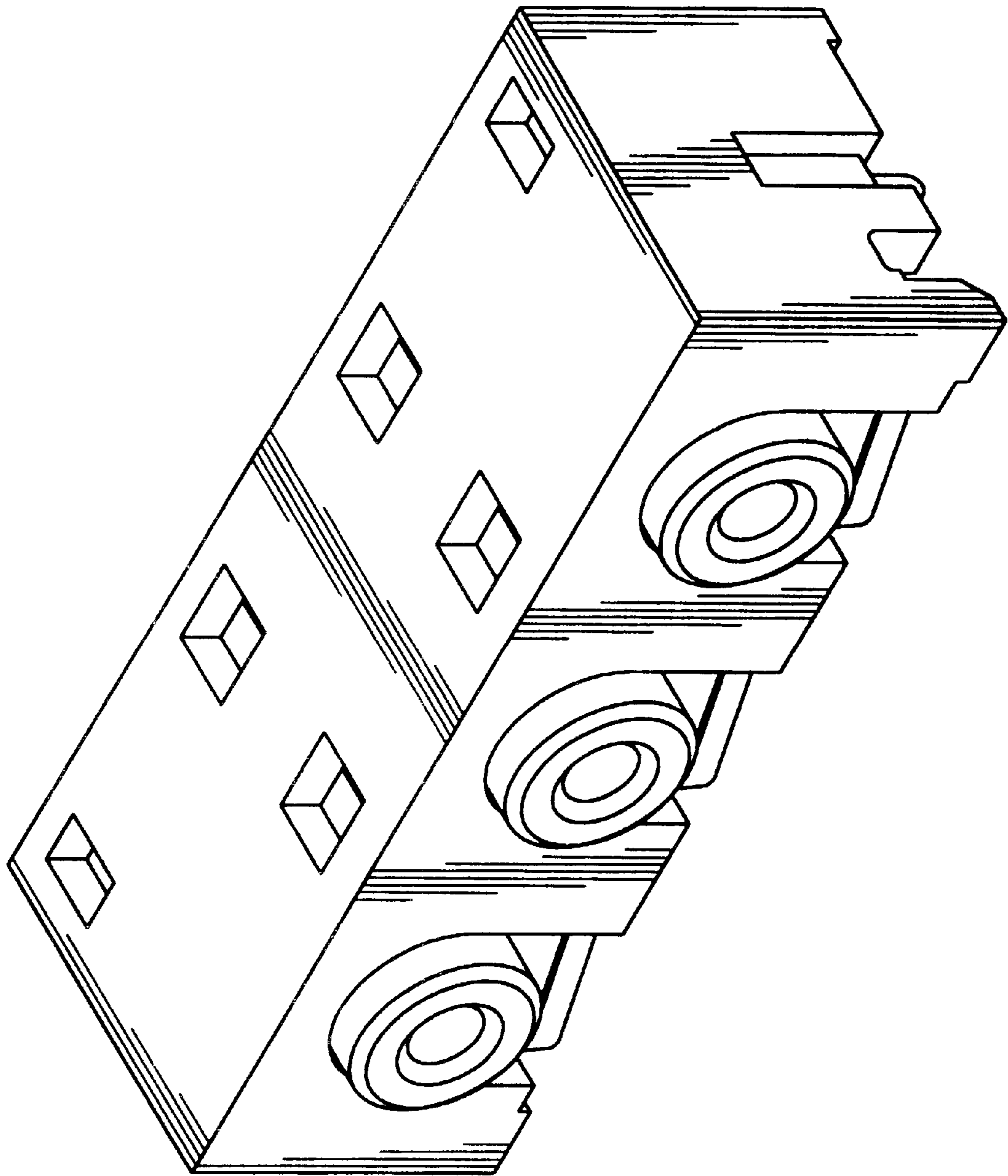


FIG. 1

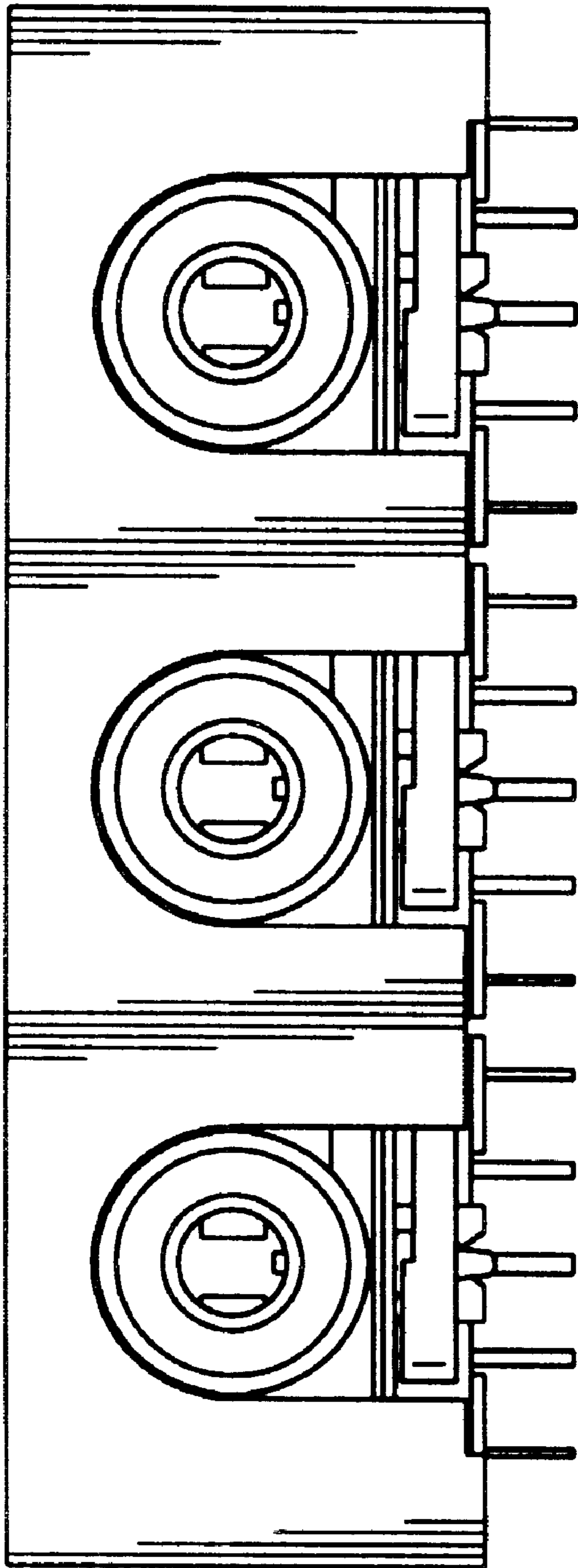


FIG. 2

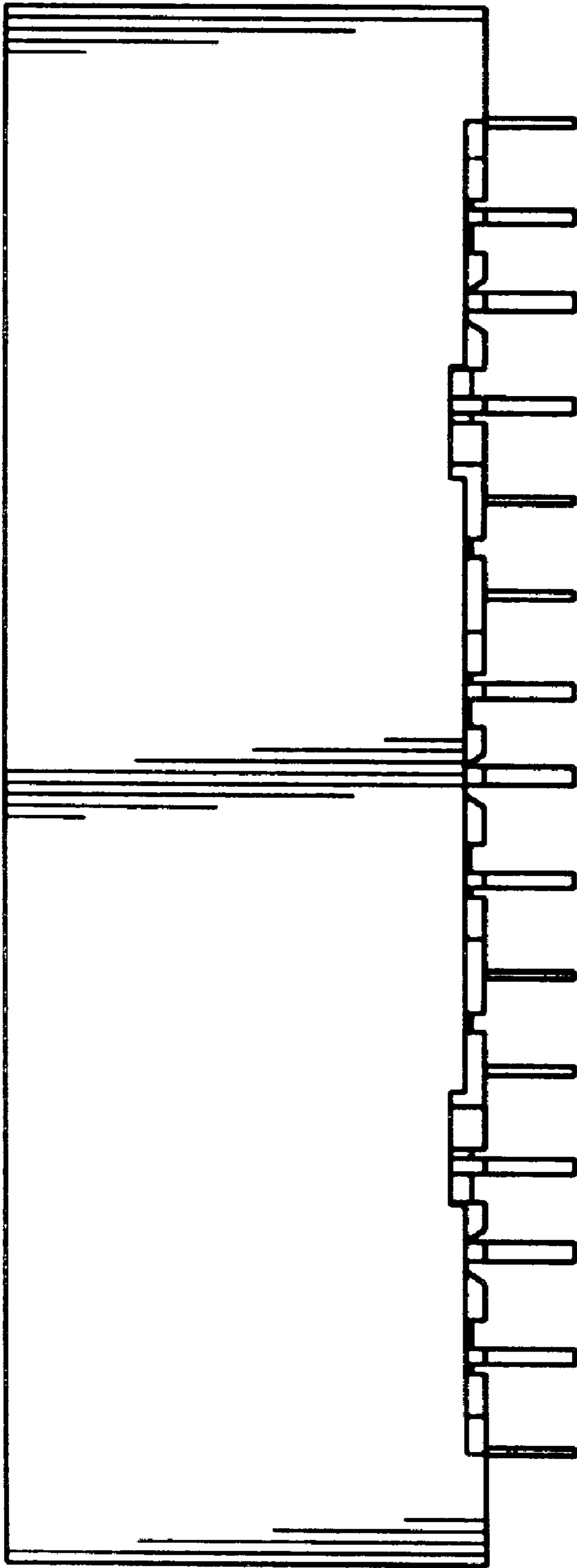


FIG. 3

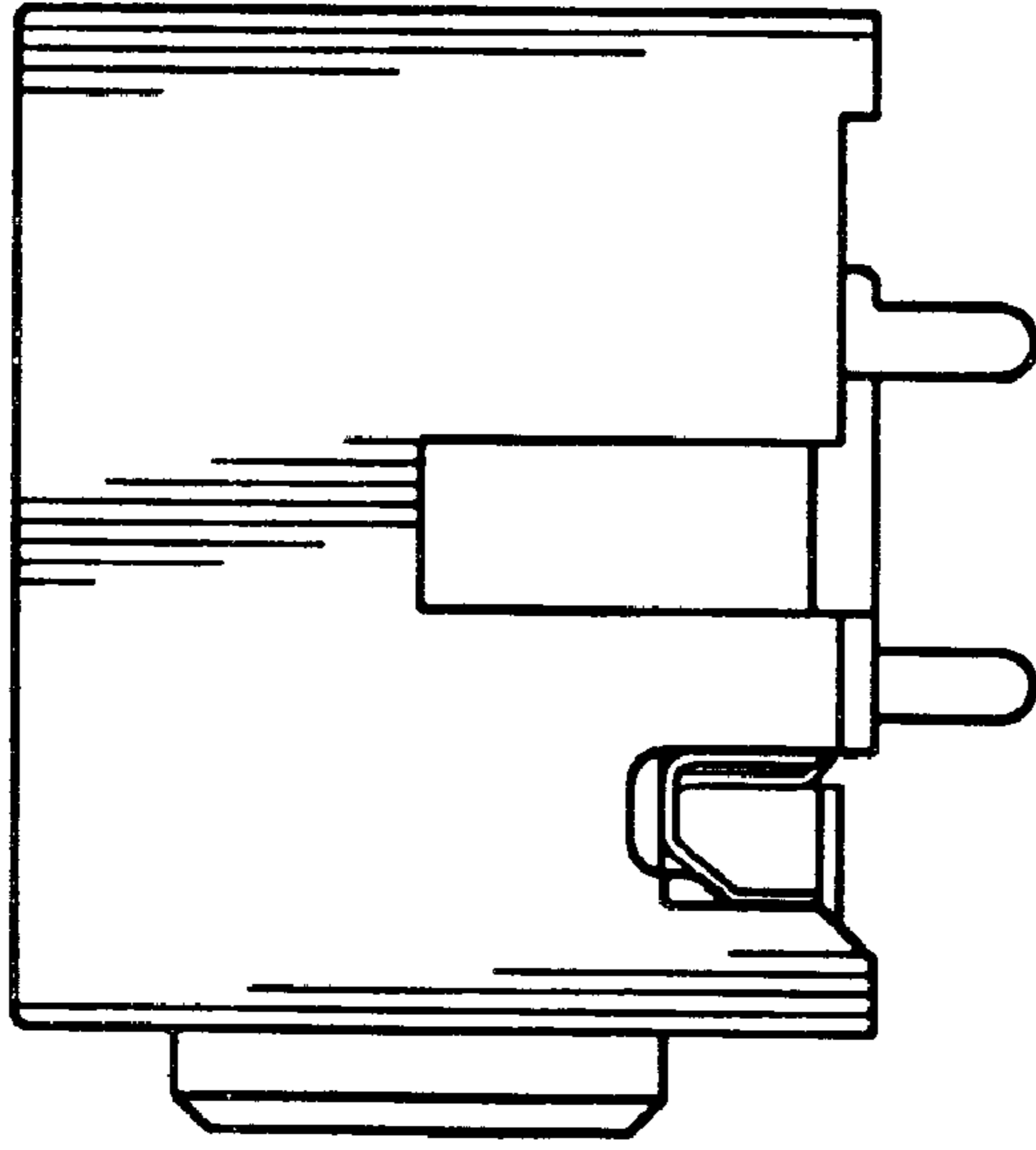


FIG. 4

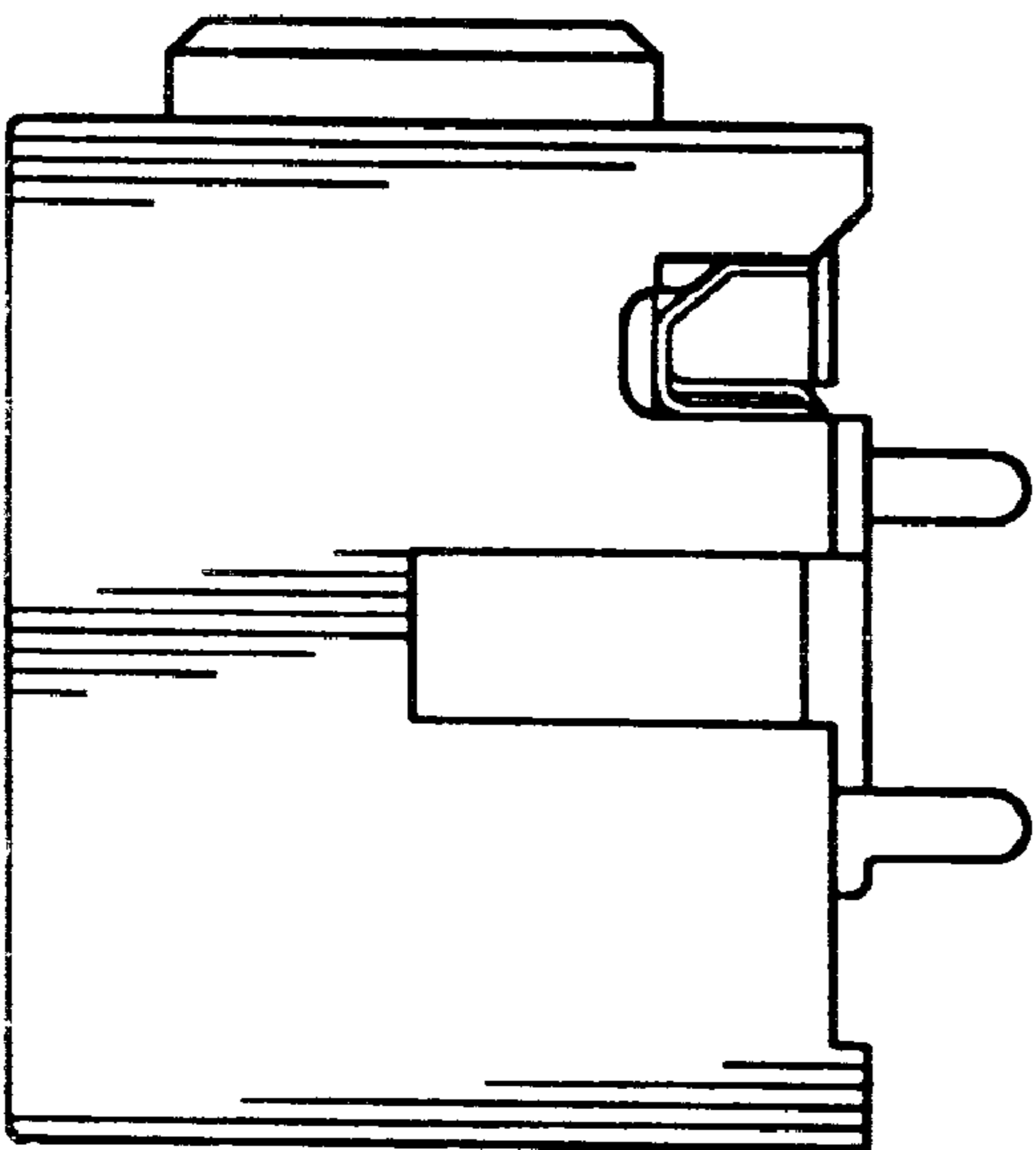


FIG. 5

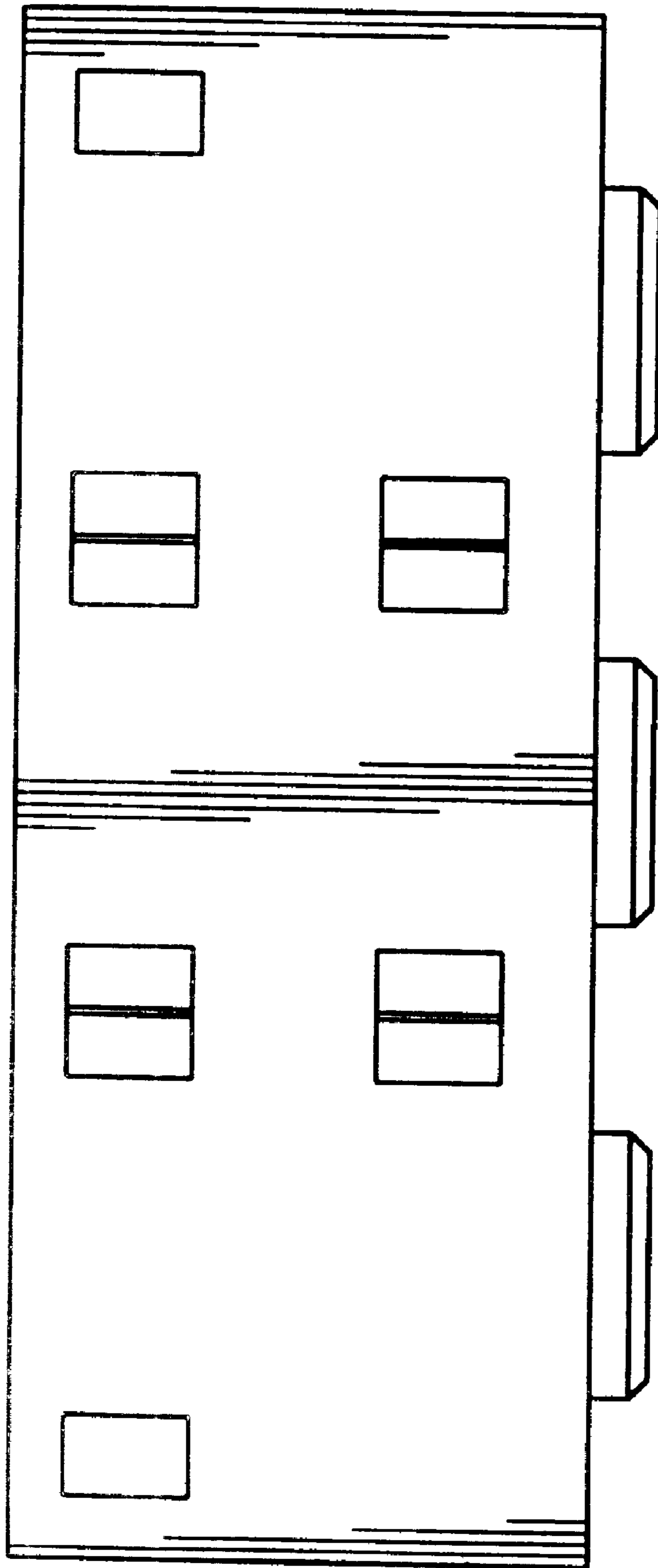


FIG. 6

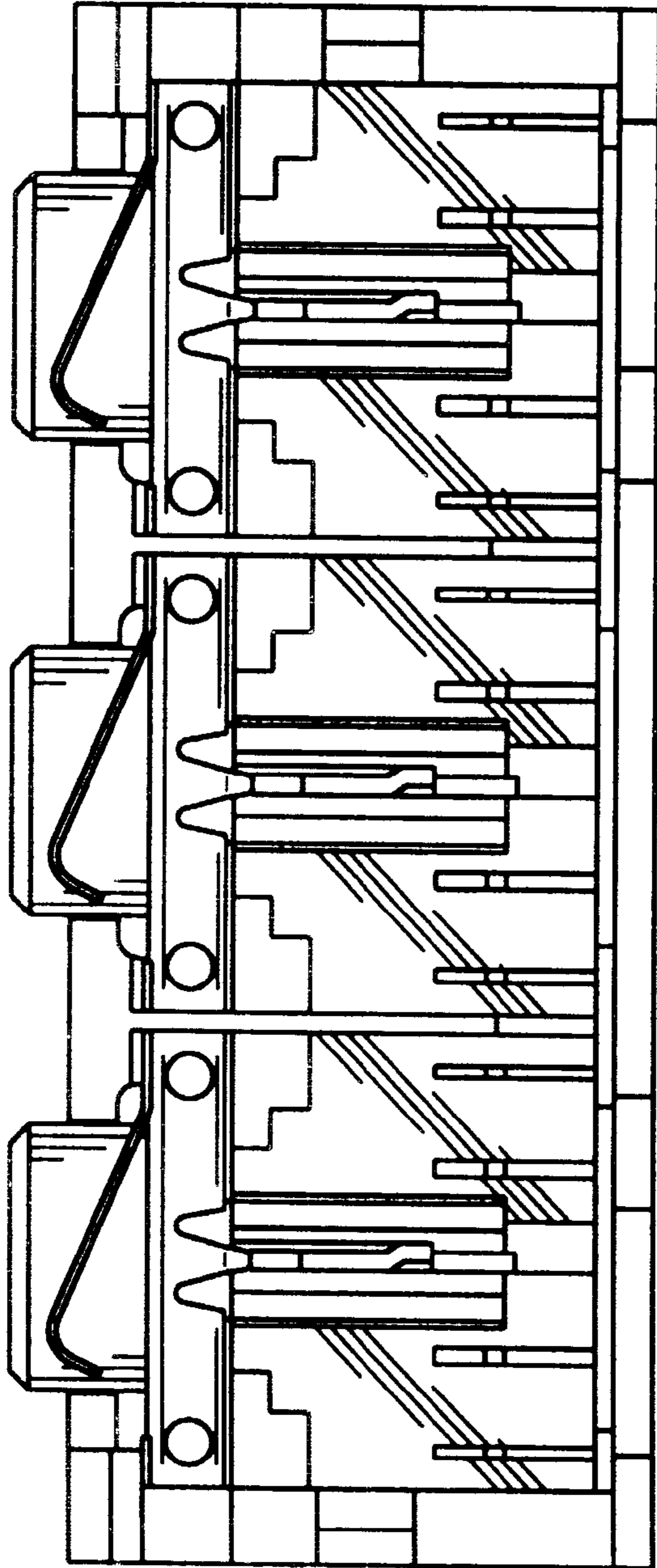


FIG. 7