



US00D450658B1

(12) **United States Design Patent** (10) **Patent No.:** **US D450,658 S**
Kurasaki et al. (45) **Date of Patent:** **** Nov. 20, 2001**

(54) **HOLDER FOR FLEXIBLE FLAT CABLE**

(57) **CLAIM**

(75) Inventors: **Naoki Kurasaki; Kazuhiro Takehira; Satoru Watanabe**, all of Osaka (JP)

The ornamental design for a holder for flexible flat cable, as shown and described.

(73) Assignee: **J. S. T. Mfg. Co., LTD**, Osaka (JP)

DESCRIPTION

(**) Term: **14 Years**

FIG. 1 is a perspective view of a first embodiment of a holder for a flexible flat cable, as viewed from top, front and right side, showing our new design;

(21) Appl. No.: **29/133,787**

FIG. 2 is a perspective view thereof, as viewed from bottom, rear and left side;

(22) Filed: **Dec. 8, 2000**

FIG. 3 is a top plan view thereof;

(30) **Foreign Application Priority Data**

FIG. 4 is a front elevation view thereof, a rear elevation view thereof being same image;

Jun. 15, 2000 (JP) 12-016242
Jun. 15, 2000 (JP) 12-016243
Jun. 15, 2000 (JP) 12-016244

FIG. 5 is a right side view thereof, a left side view thereof being same image;

(51) **LOC (7) Cl.** **13-03**

FIG. 6 is a bottom plan view thereof;

(52) **U.S. Cl.** **D13/147**

FIG. 7 is a perspective view of a second embodiment of the holder for a flexible flat cable, as viewed from top, front and right side;

(58) **Field of Search** D13/146, 147;
439/62, 260, 630, 636, 637, 495, 496

FIG. 8 is a perspective view of the embodiment of FIG. 7, as viewed from bottom, rear and left side;

(56) **References Cited**

U.S. PATENT DOCUMENTS

D. 390,828 * 2/1998 Aramaki D13/147
D. 412,884 * 8/1999 Wu D13/147
4,479,686 * 10/1984 Hoshino et al. 439/62 X
4,487,464 * 12/1984 Kirschenbaum 439/62
4,586,254 * 5/1986 Ammon et al. 439/636 X
4,645,277 * 2/1987 Kikuchi et al. 439/62
4,715,820 * 12/1987 Andrews, Jr. et al. 439/59
5,466,171 * 11/1995 Bixler et al. 439/378
5,641,291 * 6/1997 Sueki et al. 439/83
6,129,573 * 10/2000 Juntwait et al. 439/260 X
6,149,468 * 11/2000 Meng 439/637

FIG. 9 is a top plan view of the embodiment of FIG. 7;

FIG. 10 is a front elevation view of the embodiment of FIG. 7, a rear elevation view thereof being same image;

FIG. 11 is a bottom plan view of the embodiment of FIG. 7; FIG. 12 is a right side view of the embodiment of FIG. 7, a left side view thereof being same image;

FIG. 13 is a perspective view of a third embodiment of the holder for a flexible flat cable, as viewed from top, front and right side;

FIG. 14 is a perspective view of the third embodiment, as viewed from bottom, rear and left side;

FIG. 15 is a top plan view of the embodiment of FIG. 13; FIG. 16 is a front elevation view of the embodiment of FIG. 13, a rear elevation view thereof being same image;

FIG. 17 is a bottom plan view of the embodiment of FIG. 13; and,

FIG. 18 is a right side view of the embodiment of FIG. 13, a left side view thereof being same image.

* cited by examiner

Primary Examiner—Joel Sincavage

(74) *Attorney, Agent, or Firm*—Rader, Fishman & Grauer, PLLC

1 Claim, 9 Drawing Sheets

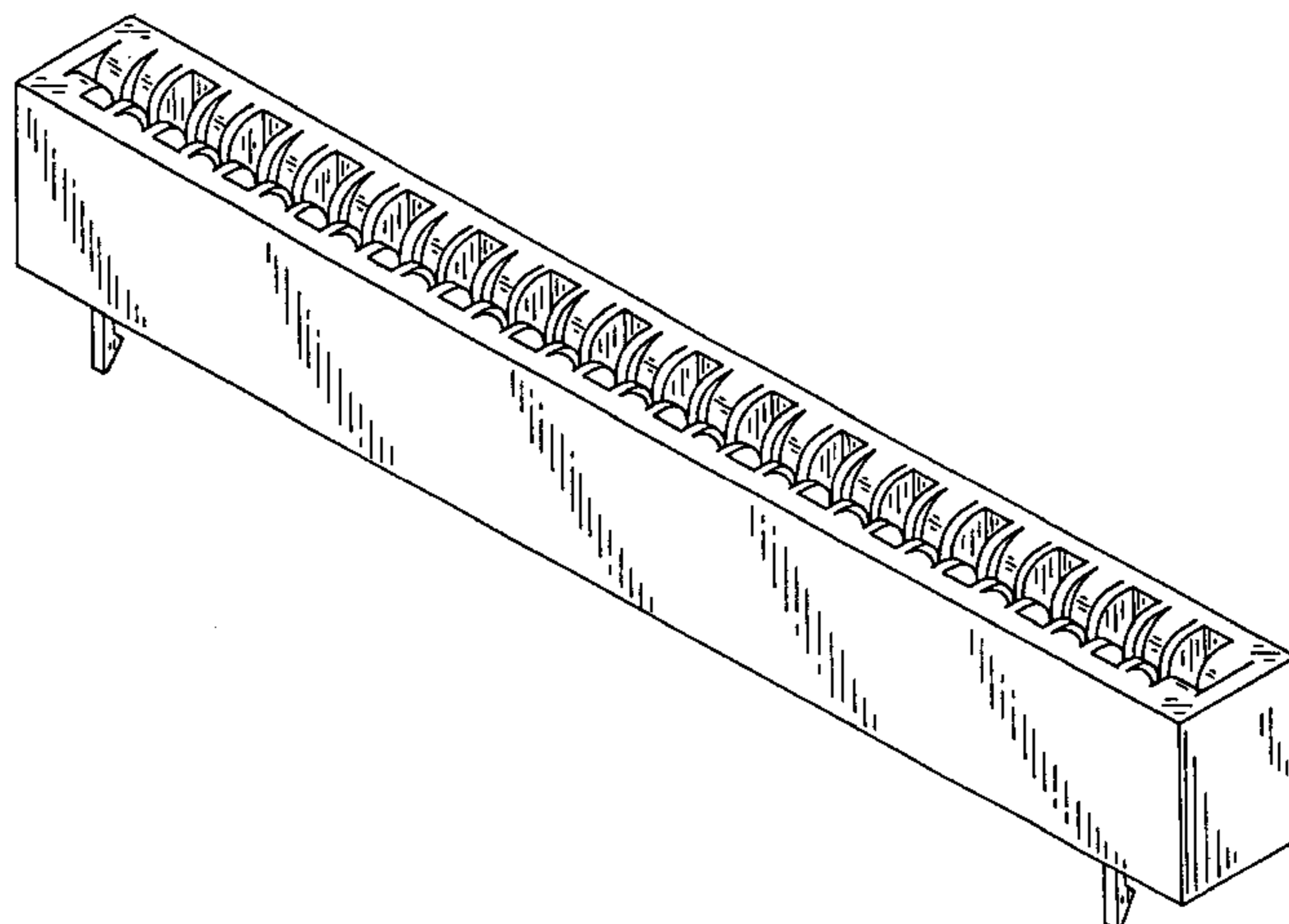


FIG. 1

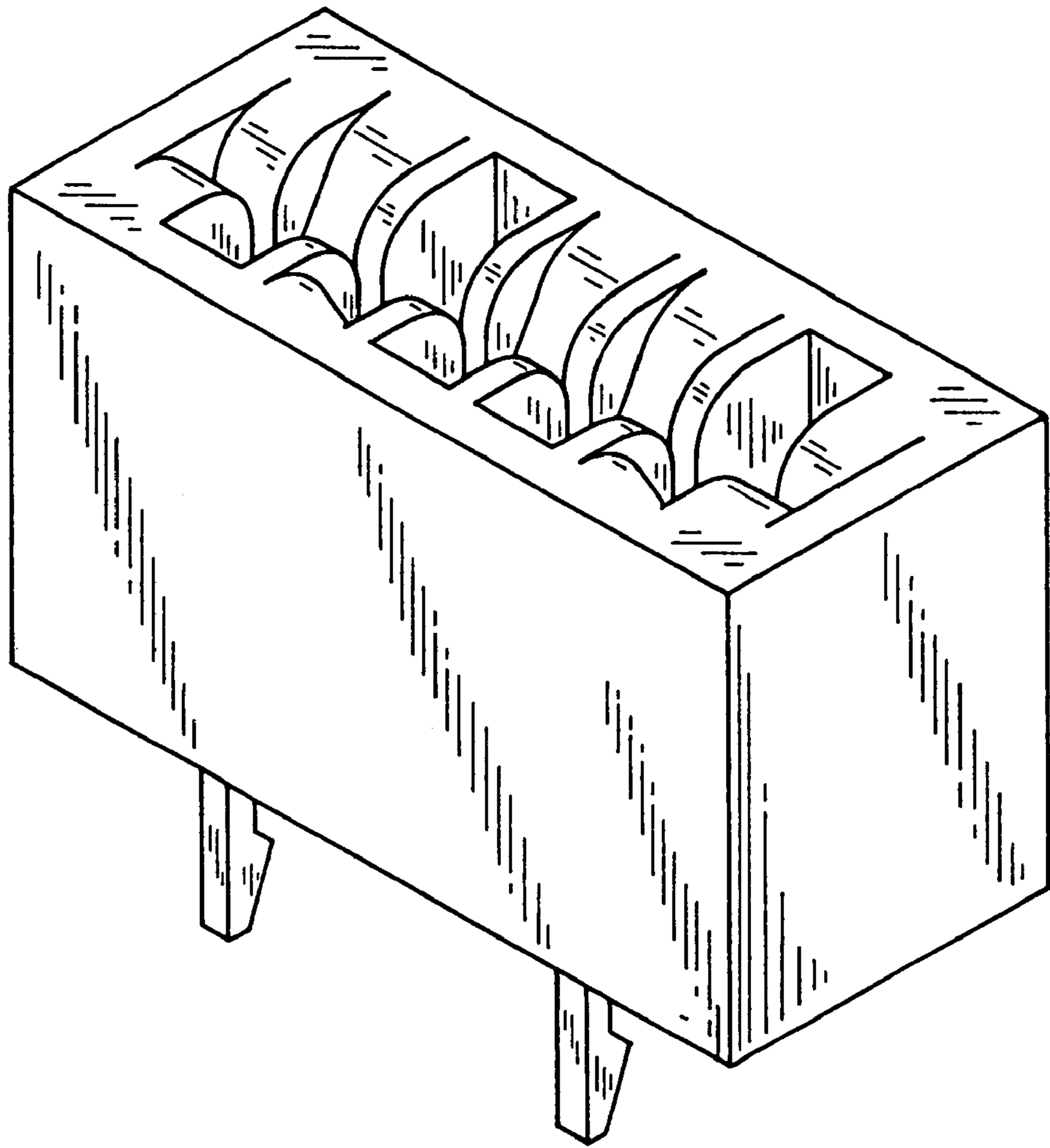


FIG. 2

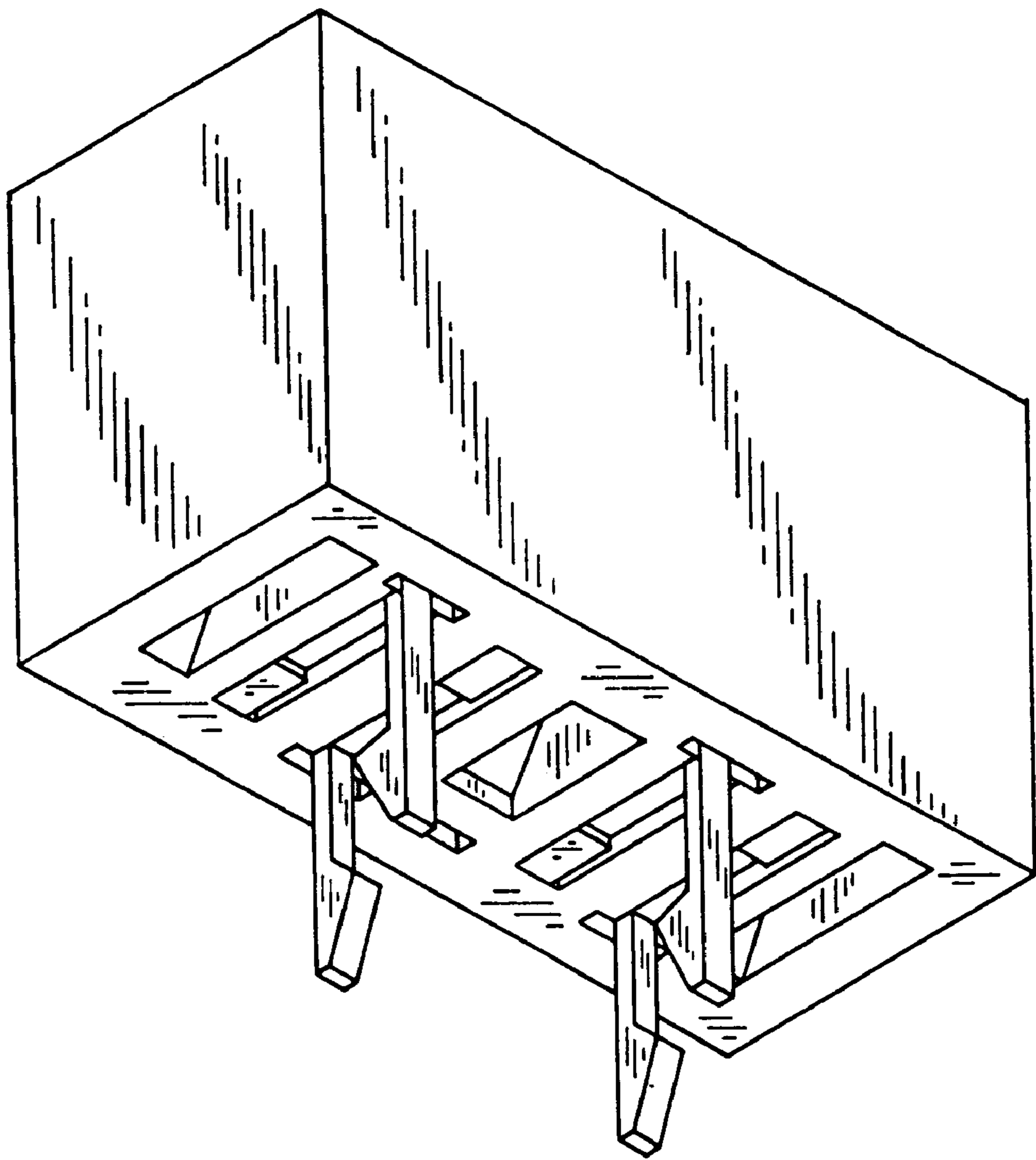


FIG. 3

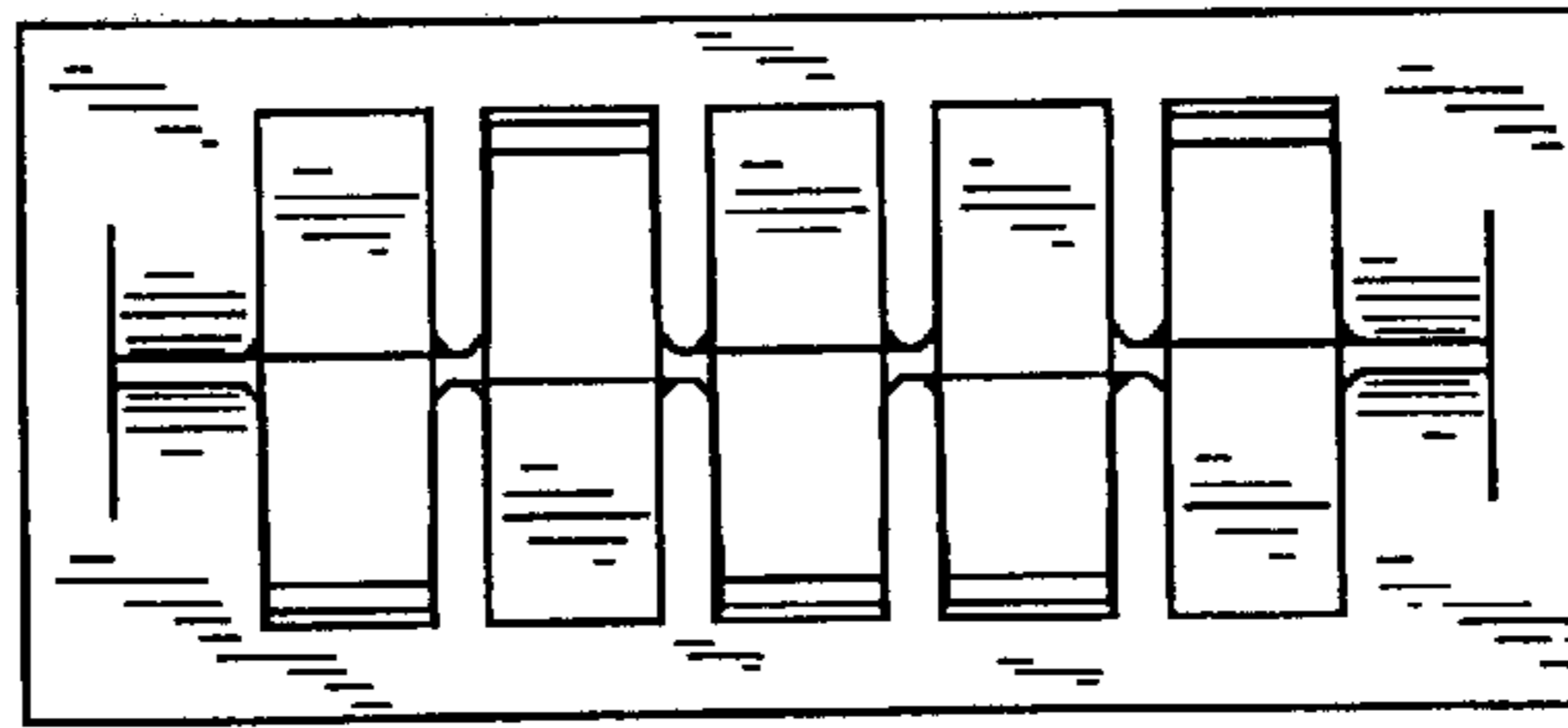


FIG. 4

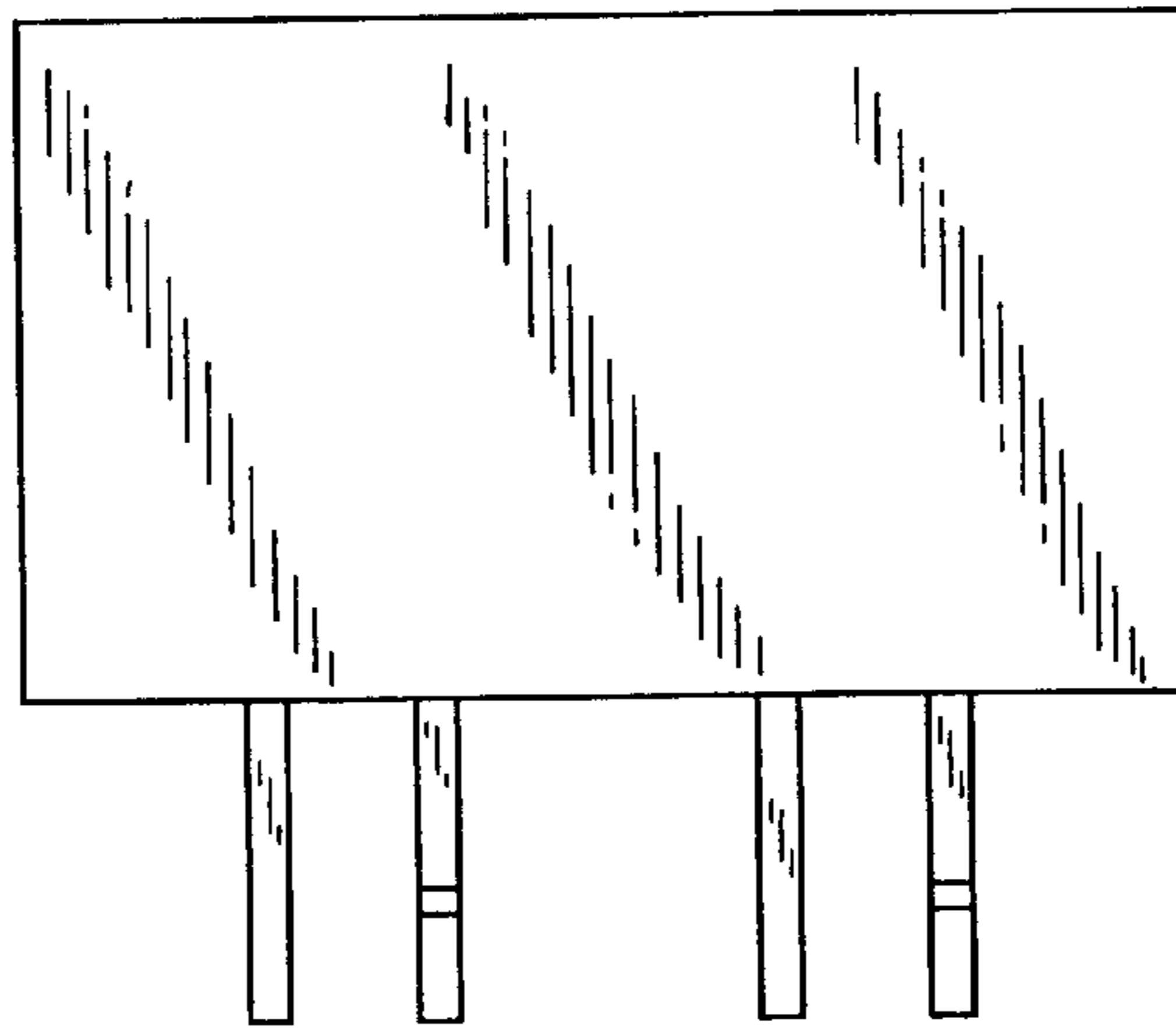


FIG. 5

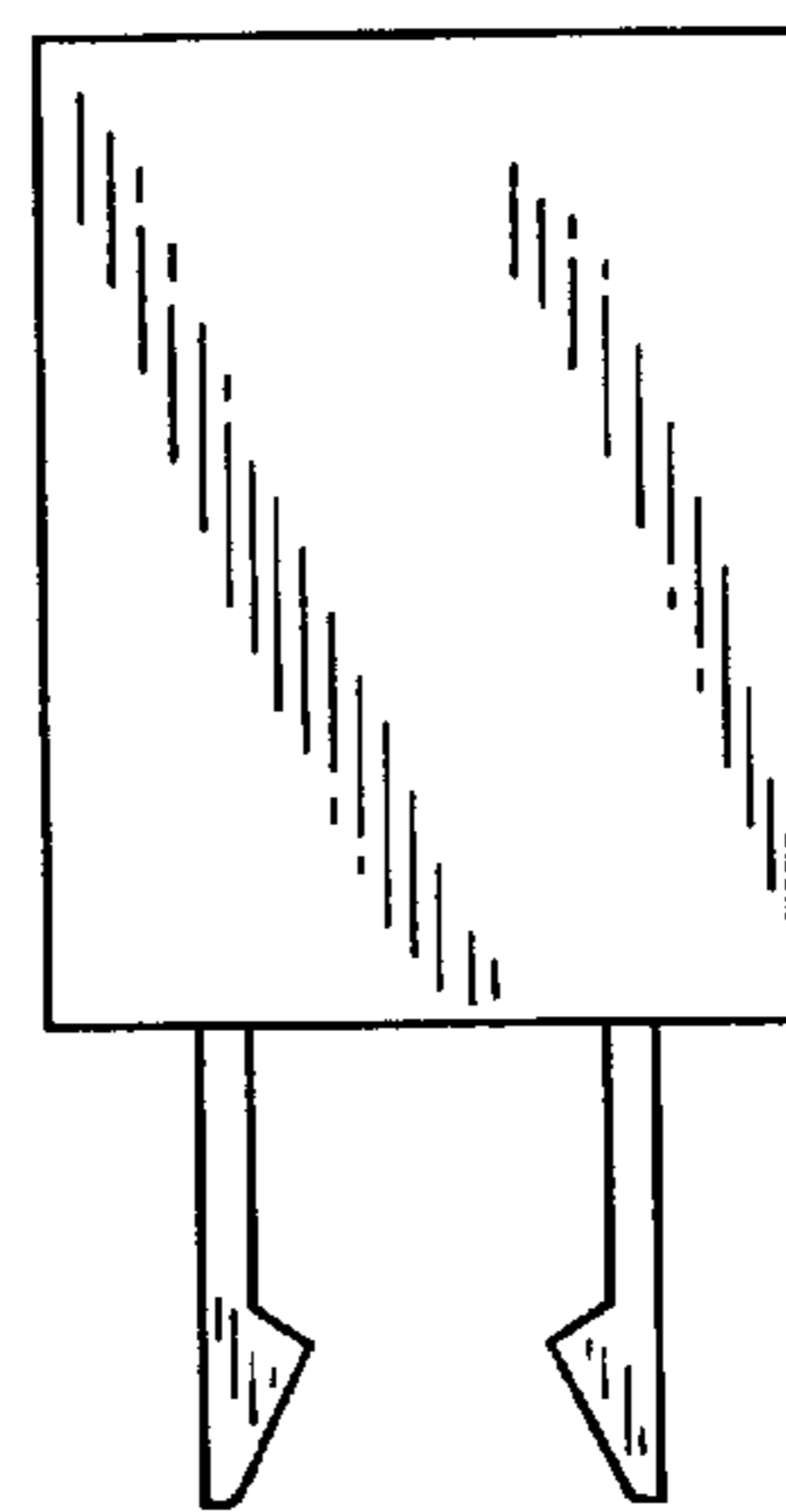


FIG. 6

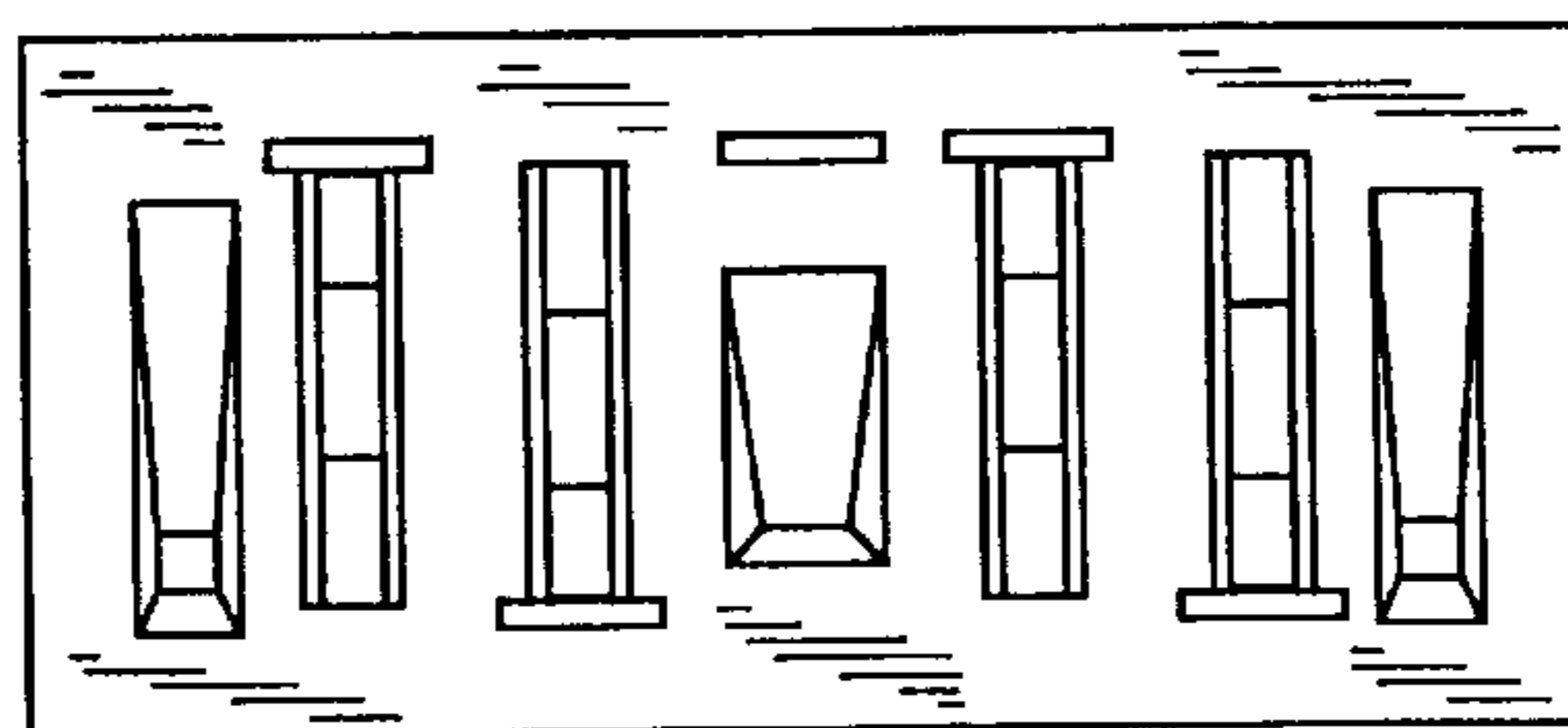


FIG. 7

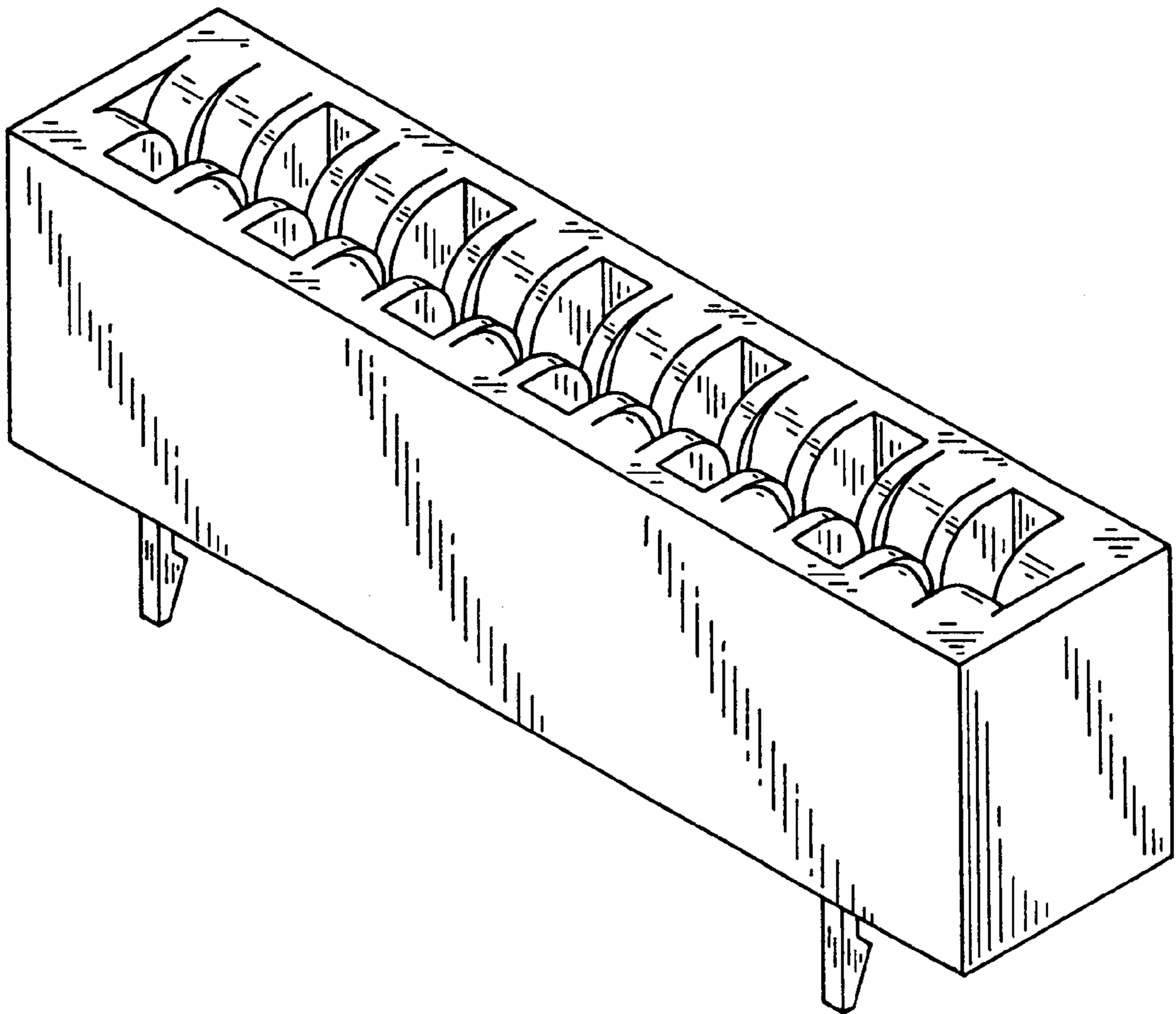


FIG. 8

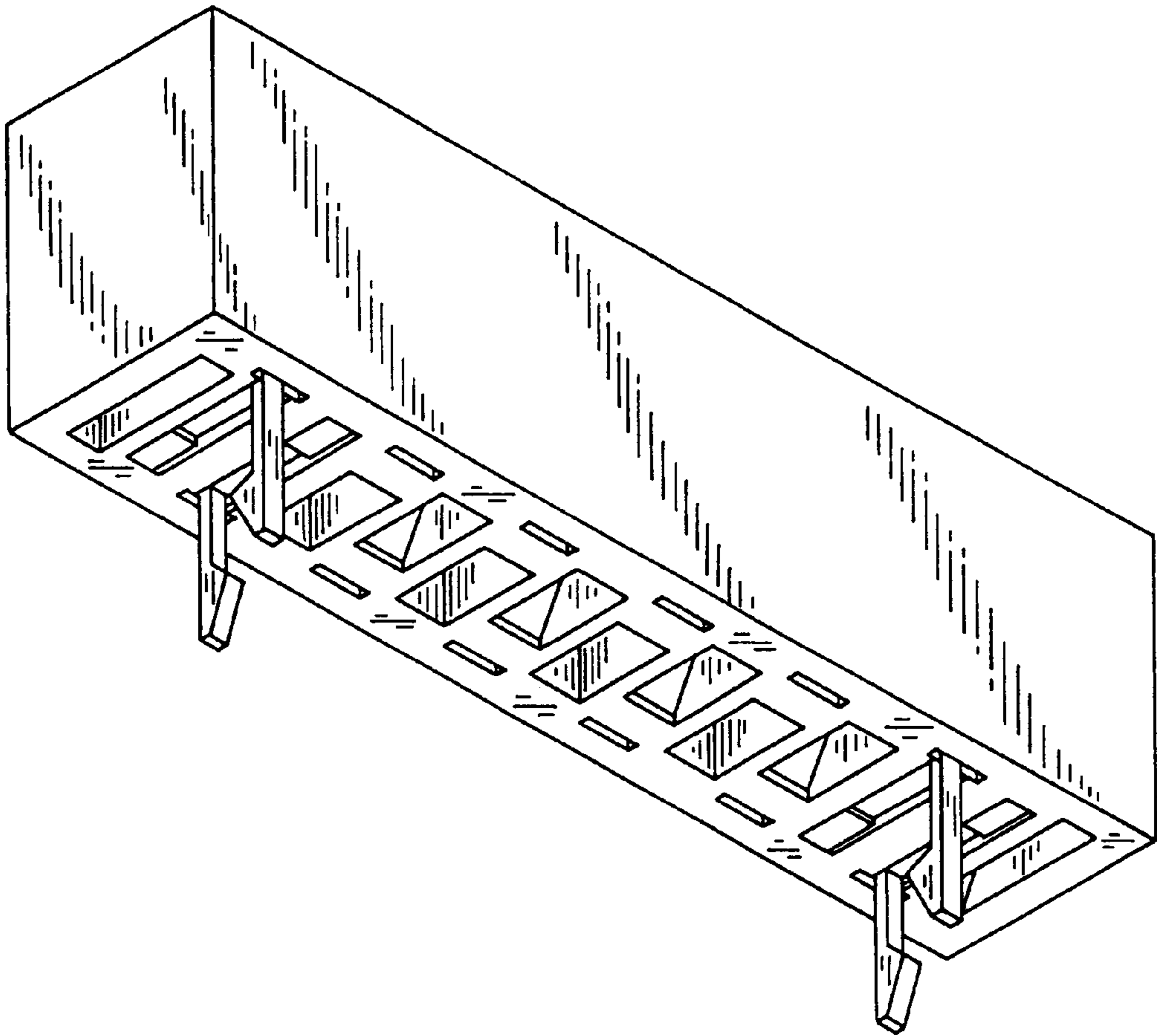


FIG. 9

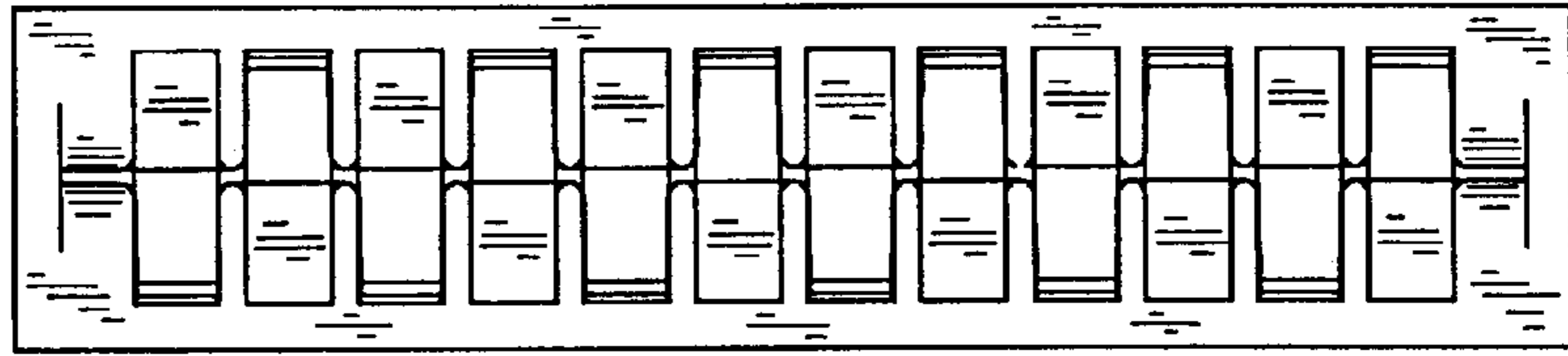


FIG. 10

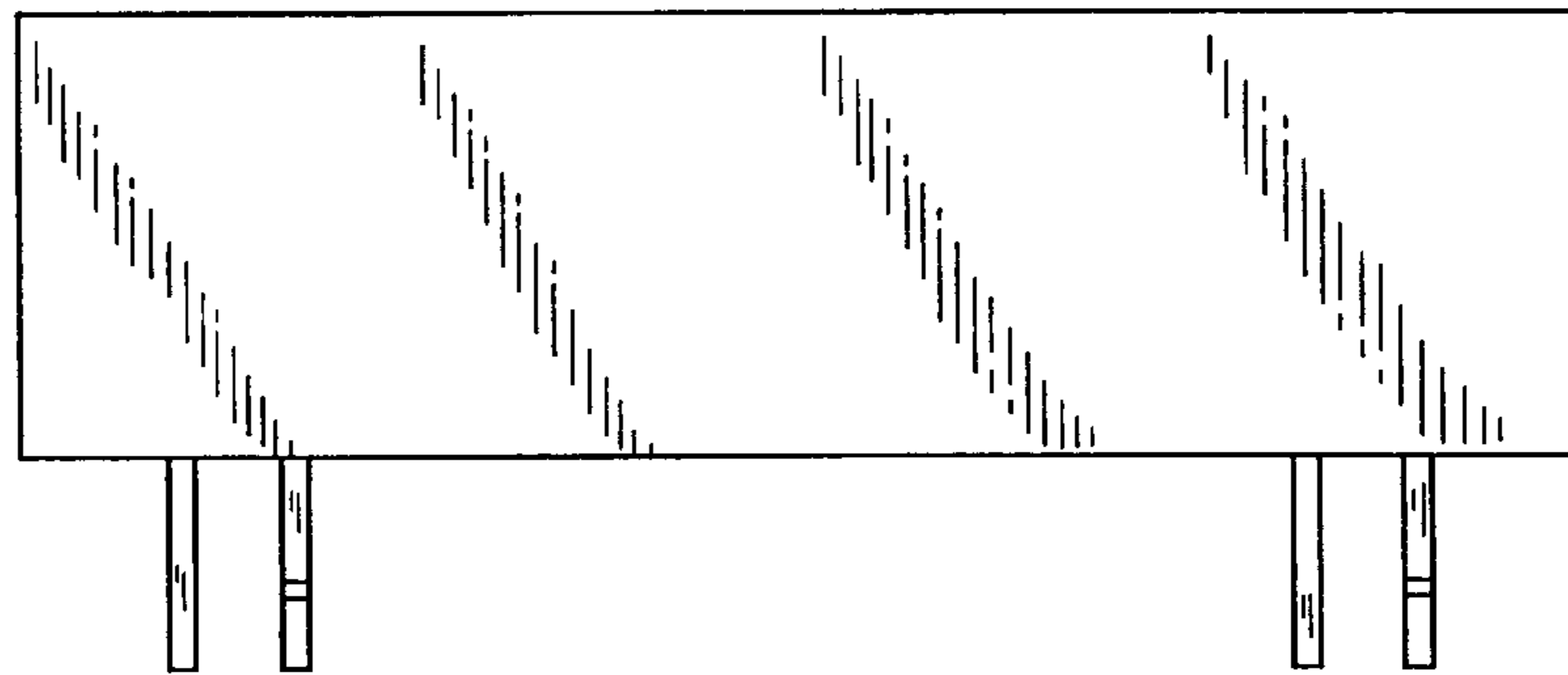


FIG. 11

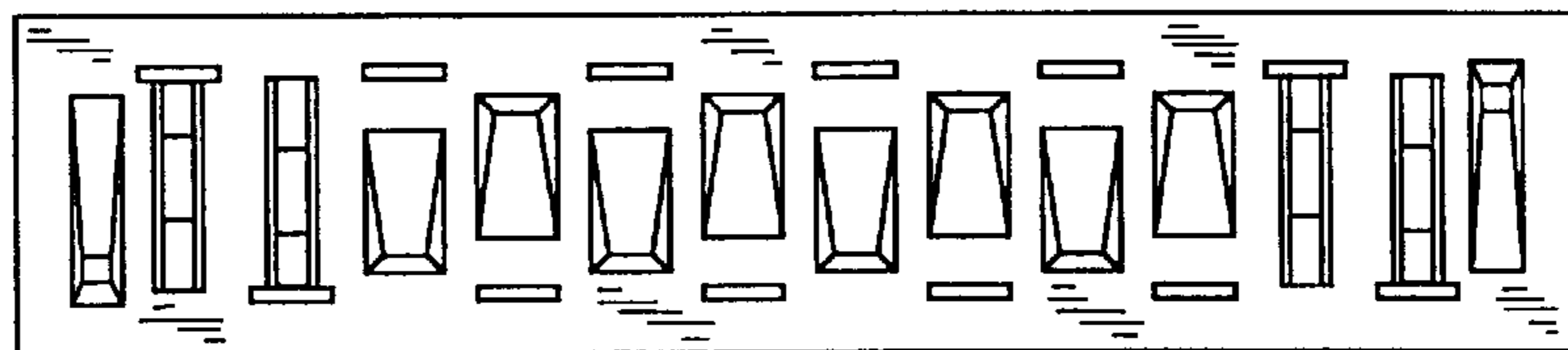


FIG. 12

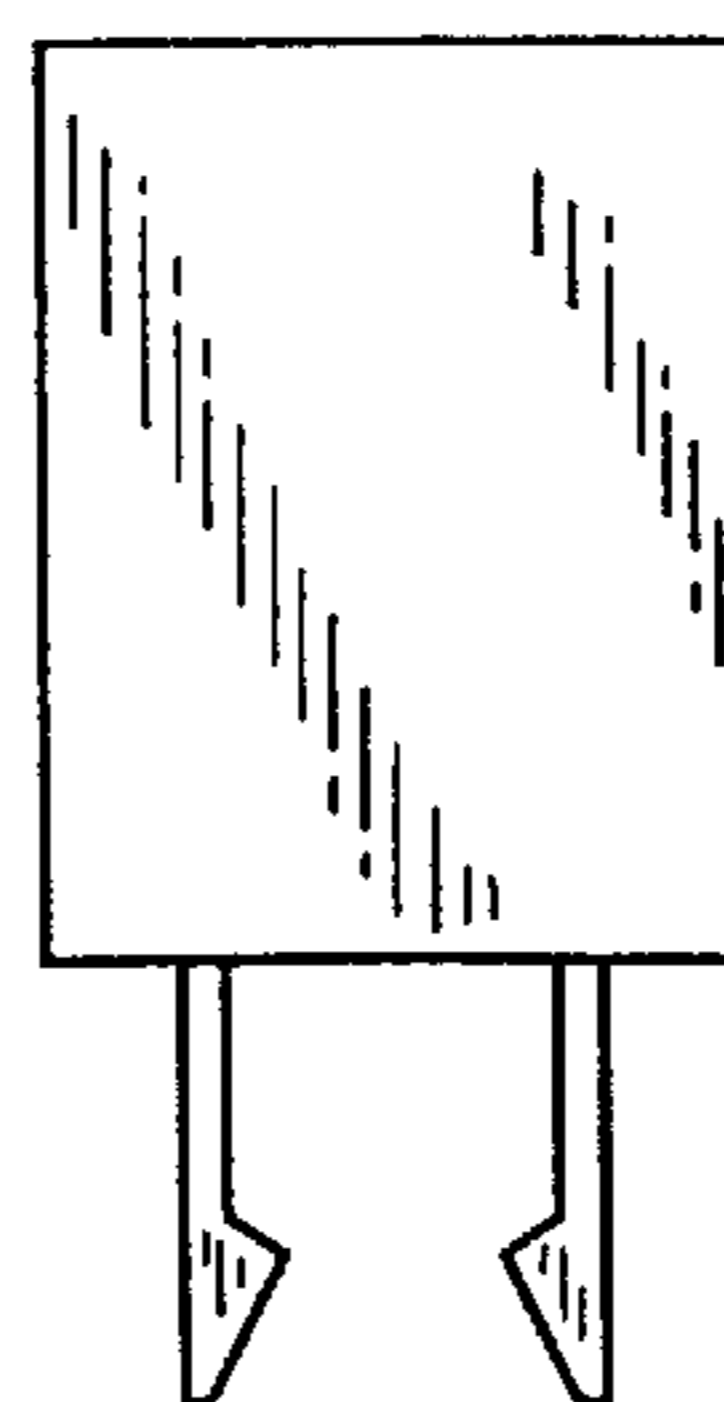


FIG. 13

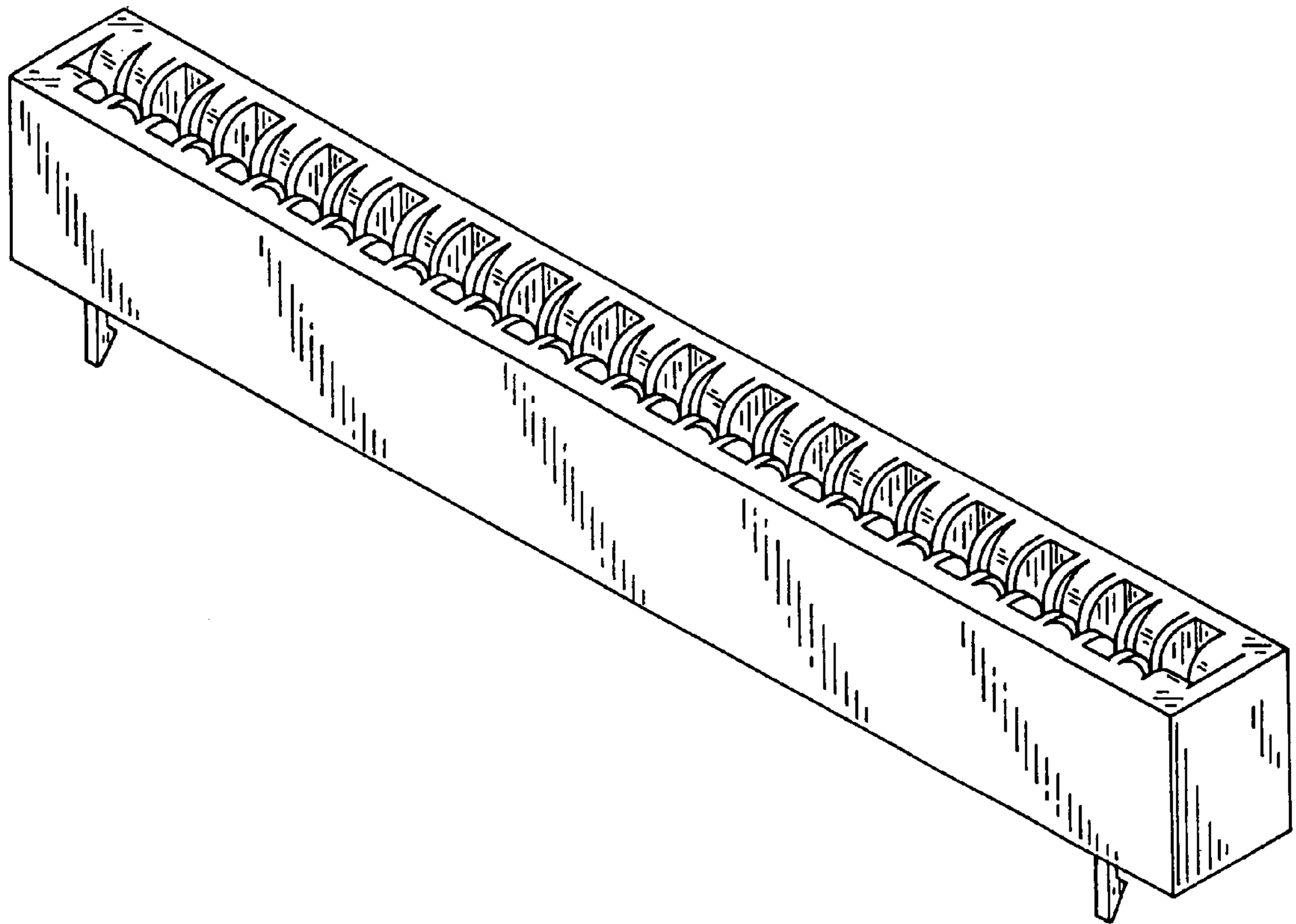


FIG. 14

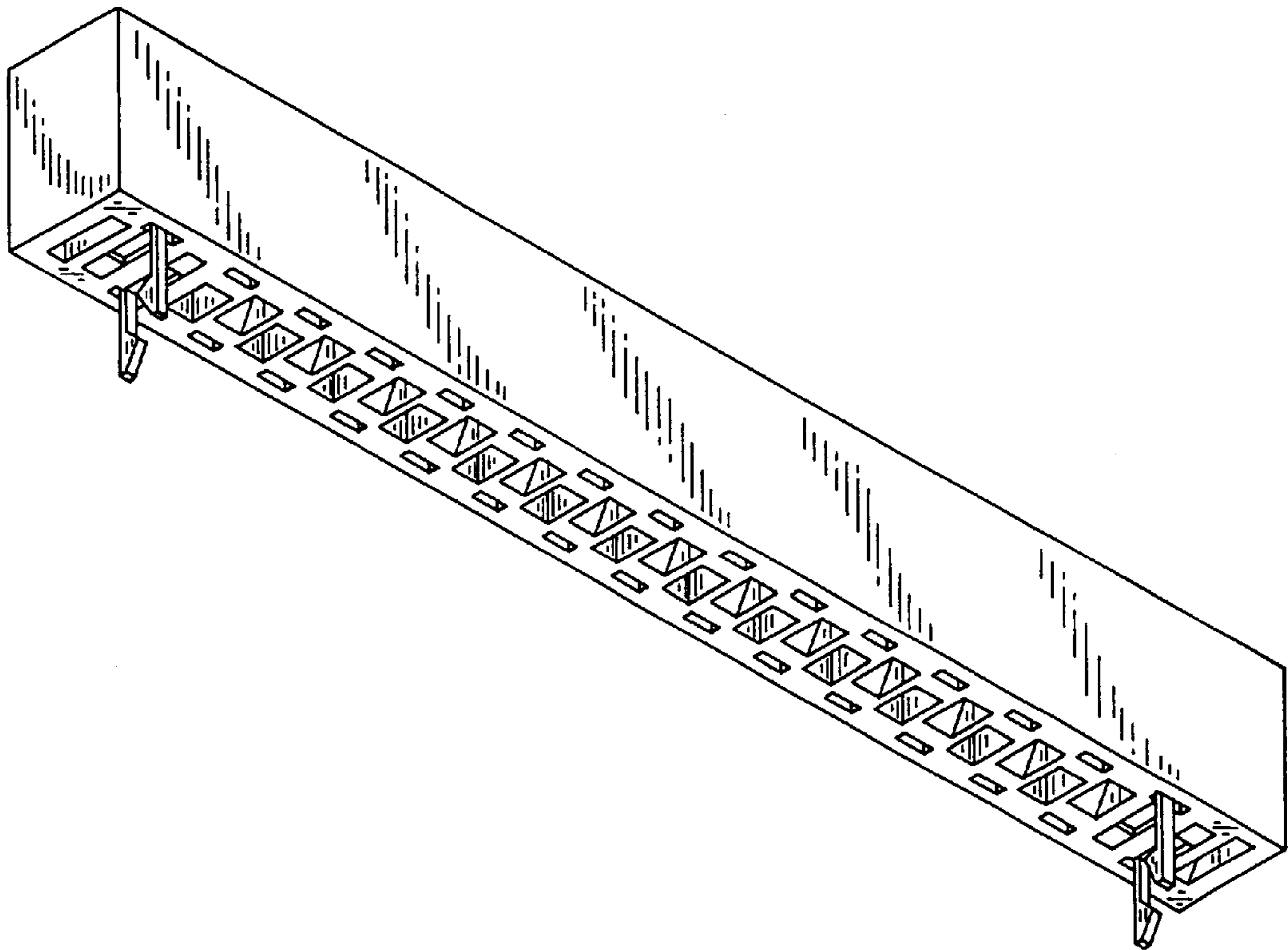


FIG. 15

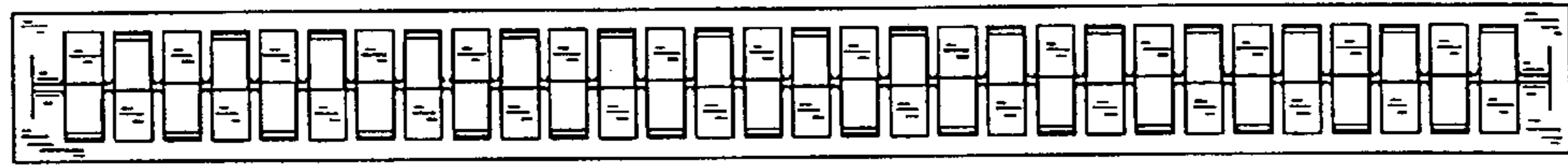


FIG. 16

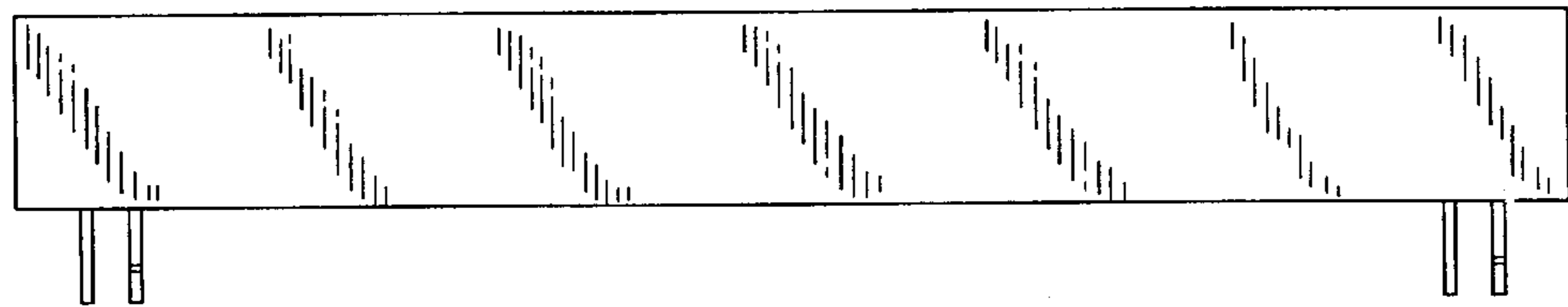
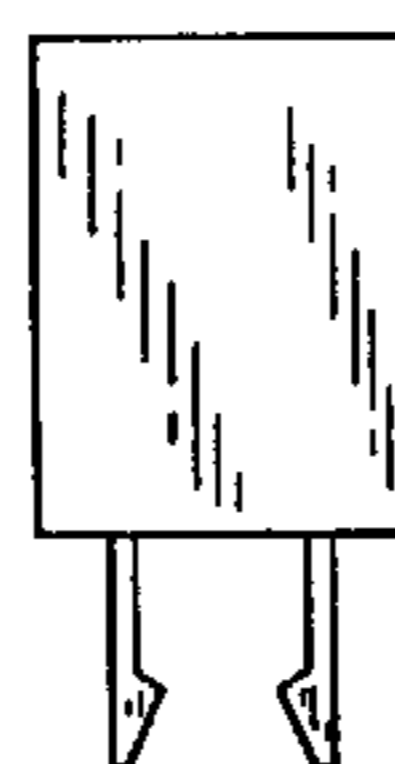


FIG. 17



FIG. 18



UNITED STATES PATENT AND TRADEMARK OFFICE
CERTIFICATE OF CORRECTION

PATENT NO. : Des 450,658 S
DATED : November 20, 2001
INVENTOR(S) : Naoki Kurasaki et al.

Page 1 of 1

It is certified that error appears in the above-identified patent and that said Letters Patent is hereby corrected as shown below:

Title page,

Item [30], **Foreign Application Priority Data**, please change "12-016242" to -- 2000-016242 --, "12-016243" to -- 2000-016243 --, and "12-016244" to -- 2000-016244 --.

Signed and Sealed this

Fourth Day of June, 2002

Attest:

A handwritten signature in black ink, appearing to read "James E. Rogan", written over a horizontal line.

Attesting Officer

JAMES E. ROGAN
Director of the United States Patent and Trademark Office