



US00D450655B1

(12) **United States Design Patent**  
**Cheng**

(10) **Patent No.:** **US D450,655 S**

(45) **Date of Patent:** **\*\* Nov. 20, 2001**

(54) **OPTICAL FIBER PLUG**

5,588,080 \* 12/1996 Kawamura ..... 385/78  
6,173,097 \* 1/2001 Throckmorton et al. .... 385/59

(76) Inventor: **Yu-Feng Cheng**, No. 7, Fuhsing St.,  
Tucheng Ind. Dist., Tucheng City,  
Taipei Hisen (TW)

\* cited by examiner

(\*\*) Term: **14 Years**

*Primary Examiner*—Joel Sincavage

(74) *Attorney, Agent, or Firm*—Rosenberg, Klein & Lee

(21) Appl. No.: **29/141,443**

(57) **CLAIM**

(22) Filed: **May 8, 2001**

The ornamental design for an optical fiber plug, as shown.

(51) **LOC (7) Cl.** ..... **13-03**

**DESCRIPTION**

(52) **U.S. Cl.** ..... **D13/133**

FIG. 1 is a perspective view of an optical fiber plug, showing my new design;

(58) **Field of Search** ..... D13/133, 146;

FIG. 2 is a front view thereof;

385/59, 71, 76, 78, 82, 86, 87, 139

FIG. 3 is a rear view thereof;

(56) **References Cited**

FIG. 4 is a left side view thereof;

**U.S. PATENT DOCUMENTS**

FIG. 5 is a right side view thereof;

D. 373,567 \* 9/1996 Rak et al. .... D13/133

FIG. 6 is a top plan view thereof; and,

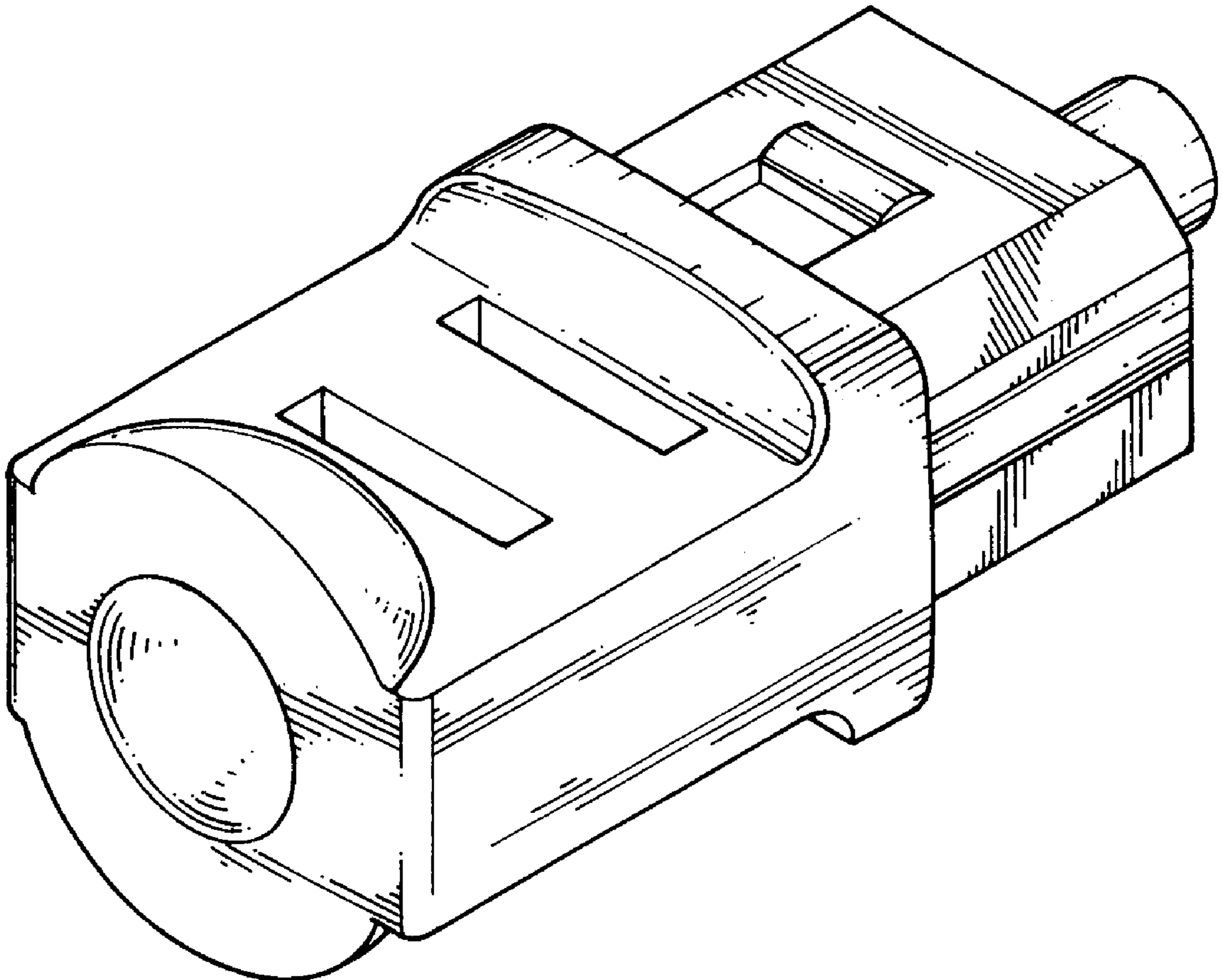
5,268,982 \* 12/1993 Schaffer et al. .... 385/86

FIG. 7 is a bottom plan view thereof.

5,301,250 \* 4/1994 Cheng ..... 385/76

5,577,145 \* 11/1996 Mask ..... 385/78 X

**1 Claim, 7 Drawing Sheets**



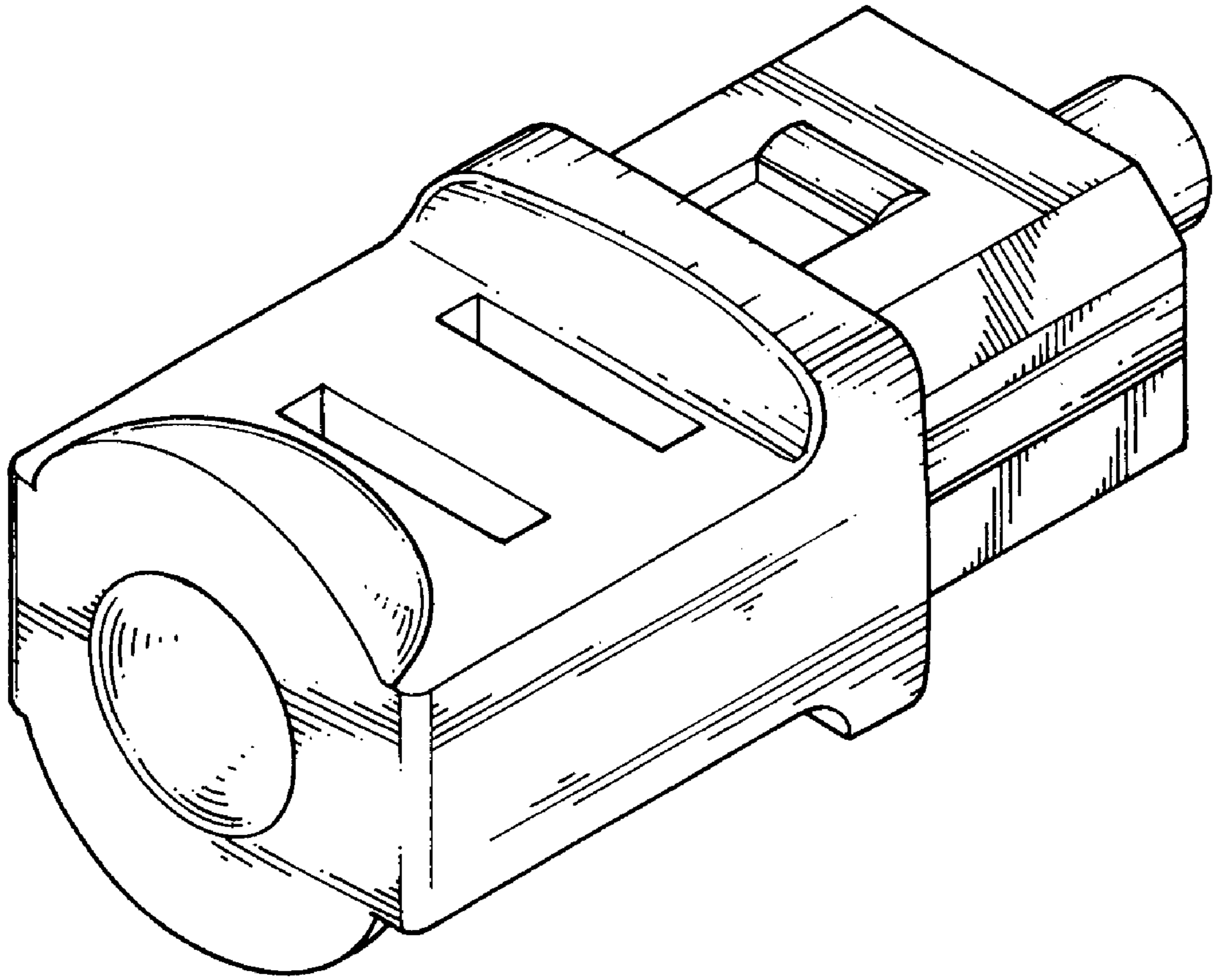


FIG. 1

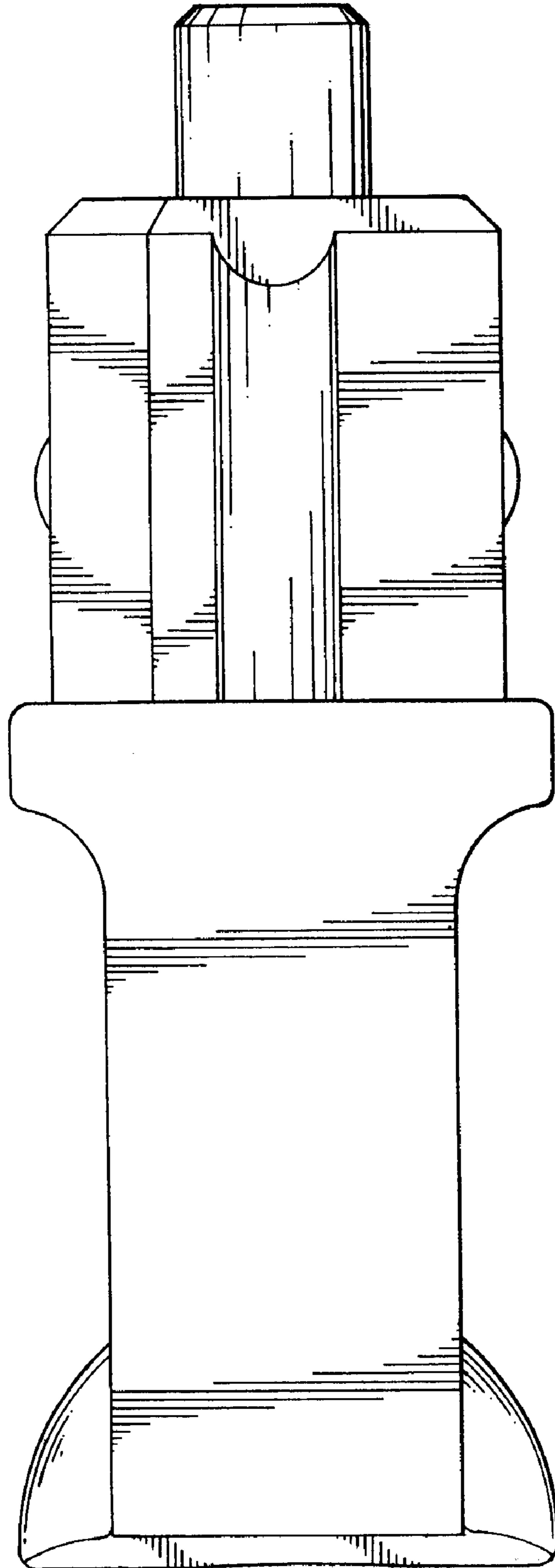


FIG. 2

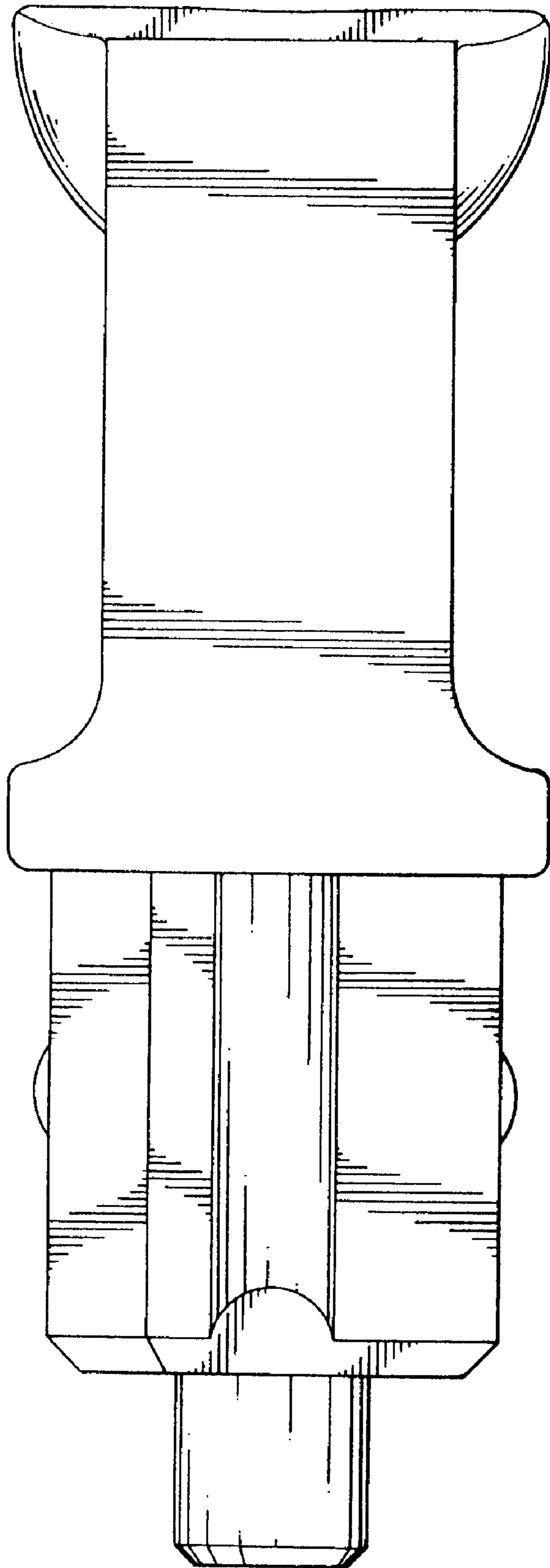


FIG. 3

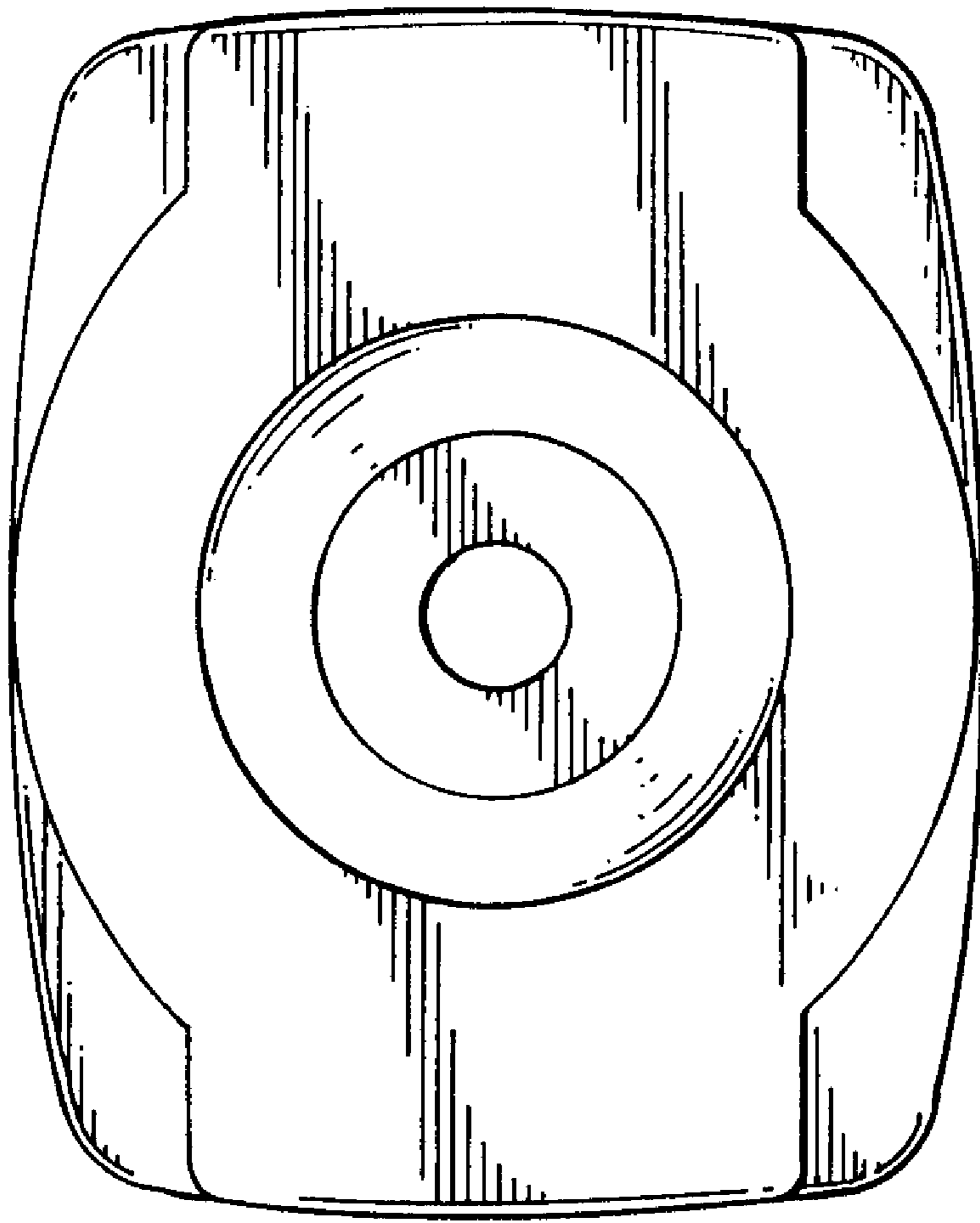


FIG. 4

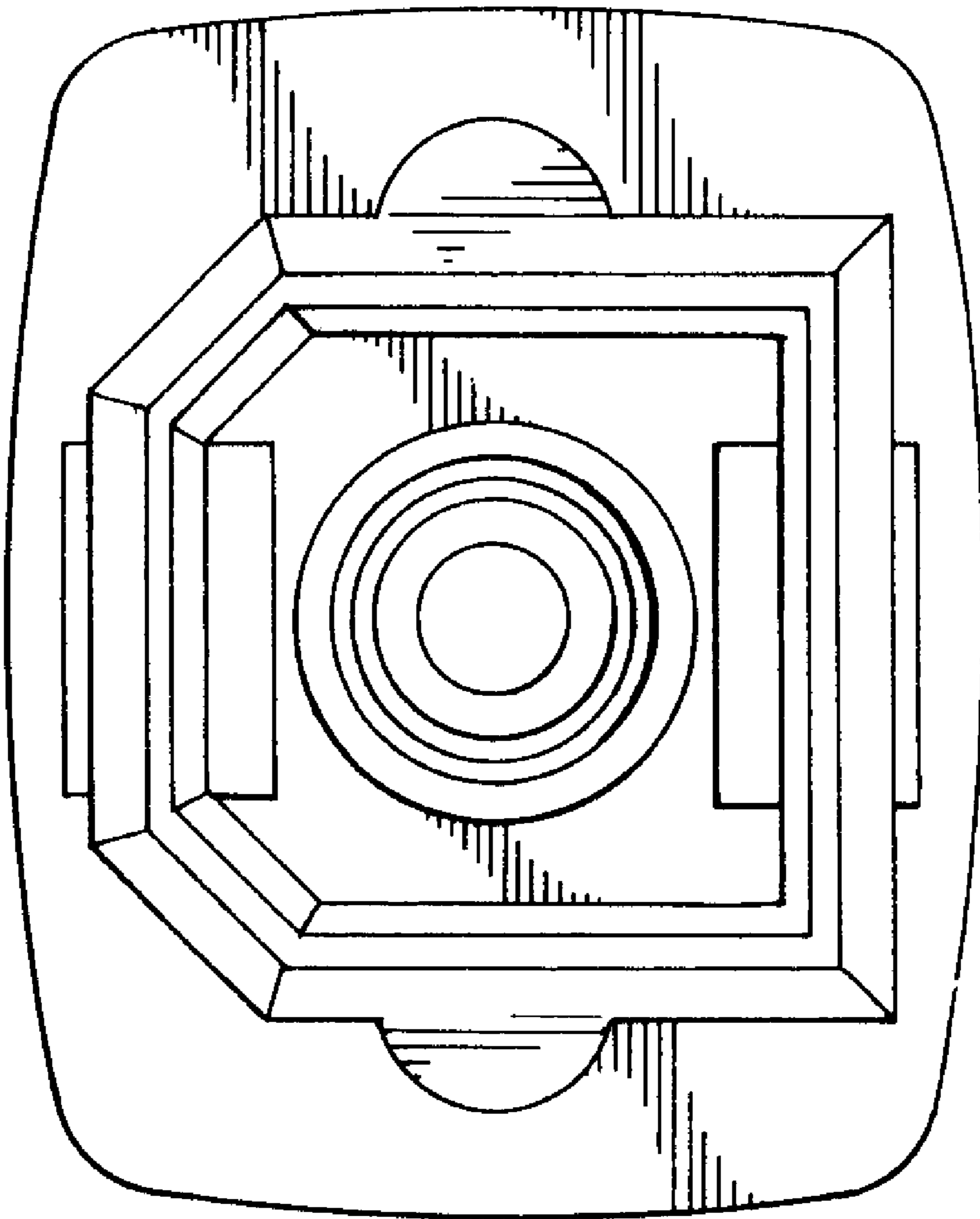


FIG. 5

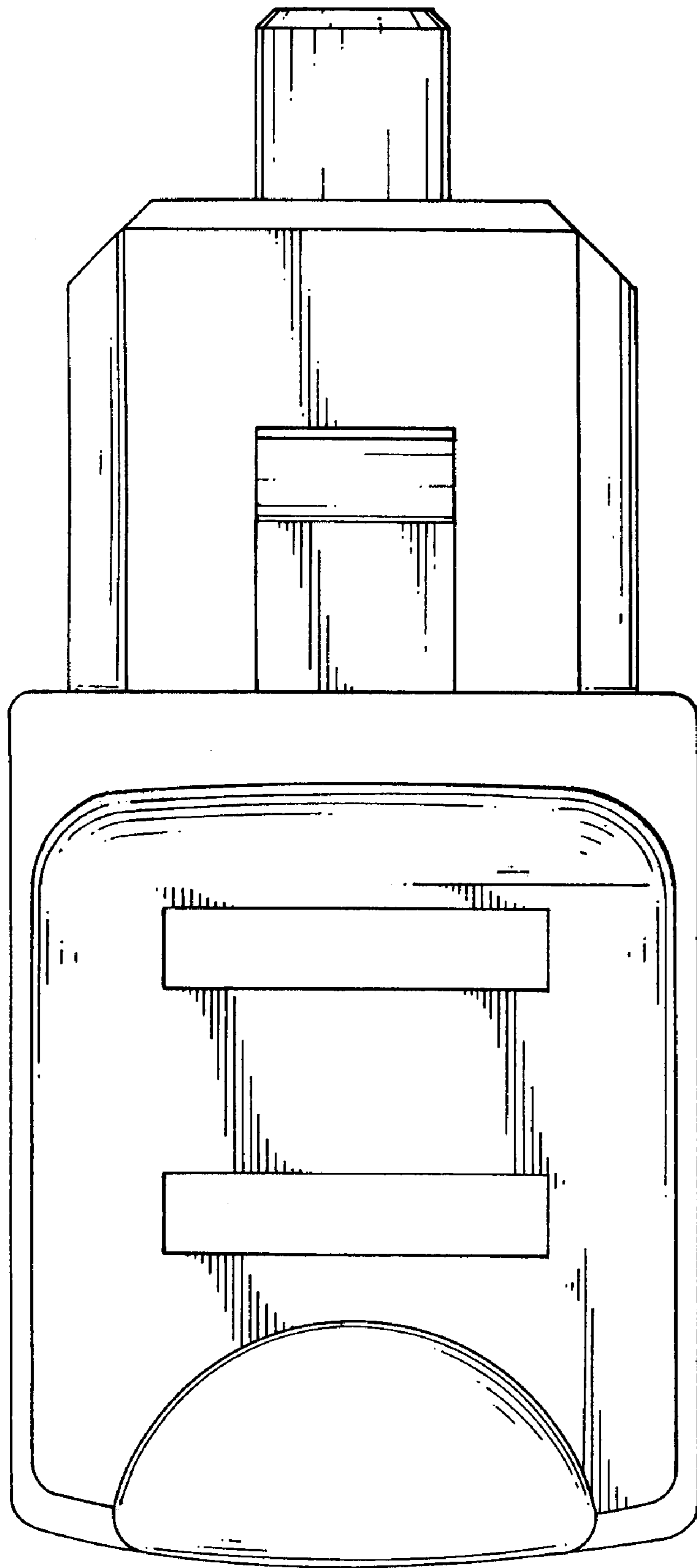


FIG.6

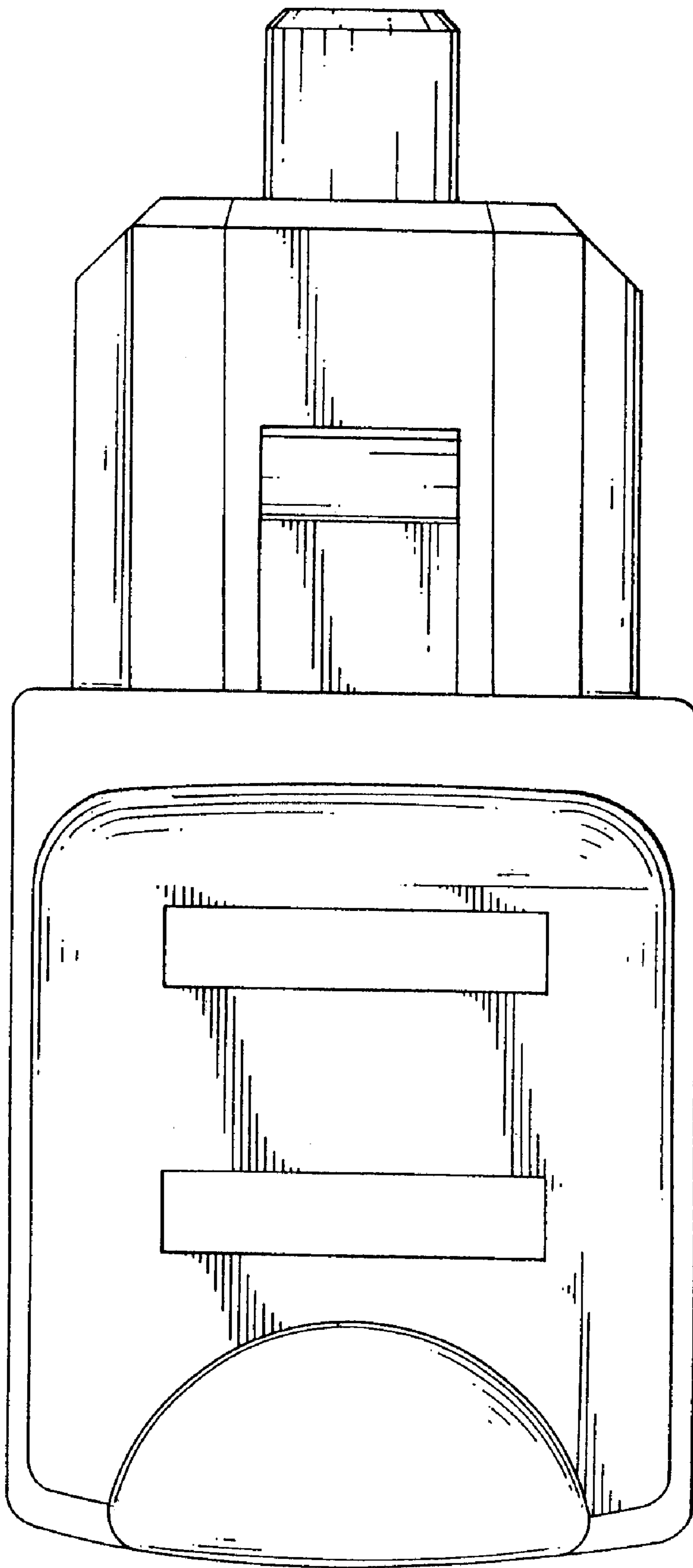


FIG. 7