



US00D450653B1

(12) **United States Design Patent**  
**Hertel et al.**

(10) **Patent No.: US D450,653 S**

(45) **Date of Patent: \*\* Nov. 20, 2001**

(54) **AUTOMOTIVE BATTERY COVER WITH  
POWER DISTRIBUTION AND FUSE  
CONNECTIONS**

(75) Inventors: **Steven J. Hertel**, Lakewood; **Charles  
J. Ortega**, Long Beach; **John C.  
Williams**, Covina, all of CA (US)

(73) Assignee: **Metra Electronics Corporation**, Holly  
Hill, FL (US)

(\*\*) Term: **14 Years**

(21) Appl. No.: **29/132,050**

(22) Filed: **Nov. 2, 2000**

(51) **LOC (7) Cl. .... 13-02**

(52) **U.S. Cl. .... D13/119**

(58) **Field of Search .... D13/119; 439/138,  
439/163, 175, 177, 121**

(56) **References Cited**

**U.S. PATENT DOCUMENTS**

D. 24,465	7/1895	Packard .	
D. 96,551	8/1935	Hollingsworth .	
D. 381,010	7/1997	Ansley .....	D13/178
D. 390,831	2/1998	Liang .....	D13/178
3,444,505	5/1969	Becker .....	339/94
3,937,636	* 2/1976	Slautterback .....	429/179 X
4,155,000	* 5/1979	Jenzano .....	429/160 X
4,352,540	10/1982	Liu .....	339/196 R
4,444,853	* 4/1984	Halsall et al. ....	429/177 X
4,555,451	* 11/1985	Harrod et al. ....	429/178 X
4,562,128	* 12/1985	Humphreys et al. ....	429/175 X
4,808,495	* 2/1989	Goldstein .....	429/175
4,887,978	12/1989	Murakami .....	439/553
4,950,195	8/1990	Perreault et al. ....	439/830
5,002,505	3/1991	Jones et al. ....	439/622
5,116,246	5/1992	Perry et al. ....	439/621
5,167,541	12/1992	Alves et al. ....	439/622
5,202,198	* 4/1993	Mix et al. ....	429/160
5,236,792	* 8/1993	Larkin et al. ....	429/121
5,328,392	7/1994	Lin et al. ....	439/833
5,362,253	11/1994	Lin et al. ....	439/462
5,389,462	* 2/1995	Lin .....	429/121

5,440,073	8/1995	Lin et al. ....	174/74 R
5,551,894	9/1996	Lin et al. ....	439/621
5,573,423	11/1996	Lin et al. ....	439/462
5,573,433	11/1996	Lin et al. ....	439/805
5,618,209	4/1997	Lin et al. ....	439/621
5,643,693	* 7/1997	Hill et al. ....	429/121
5,648,749	7/1997	Lin et al. ....	337/205
5,899,777	5/1999	Liang .....	439/805
5,934,947	8/1999	Liang .....	439/762
6,004,159	12/1999	Liang .....	439/621
6,071,155	6/2000	Liang .....	439/805
6,090,502	* 7/2000	Ingram et al. ....	429/178 X
6,162,097	12/2000	Liang .....	439/621

\* cited by examiner

*Primary Examiner*—Joel Sincavage

(74) *Attorney, Agent, or Firm*—Fitzpatrick, Cella, Harper & Scinto

(57) **CLAIM**

We claim the ornamental design for an automotive battery cover with power distribution and fuse connections, as shown and described.

**DESCRIPTION**

FIG. 1 is a left front perspective view of an automotive battery cover with power distribution and fuse connections, showing a preferred embodiment of our design. The battery structure shown in dotted line is environmental structure, and does not form part of the claimed design;

FIG. 2 is a top plan view of FIG. 1;

FIG. 3 is a bottom plan view of FIG. 1;

FIG. 4 is a right side elevation view of FIG. 1;

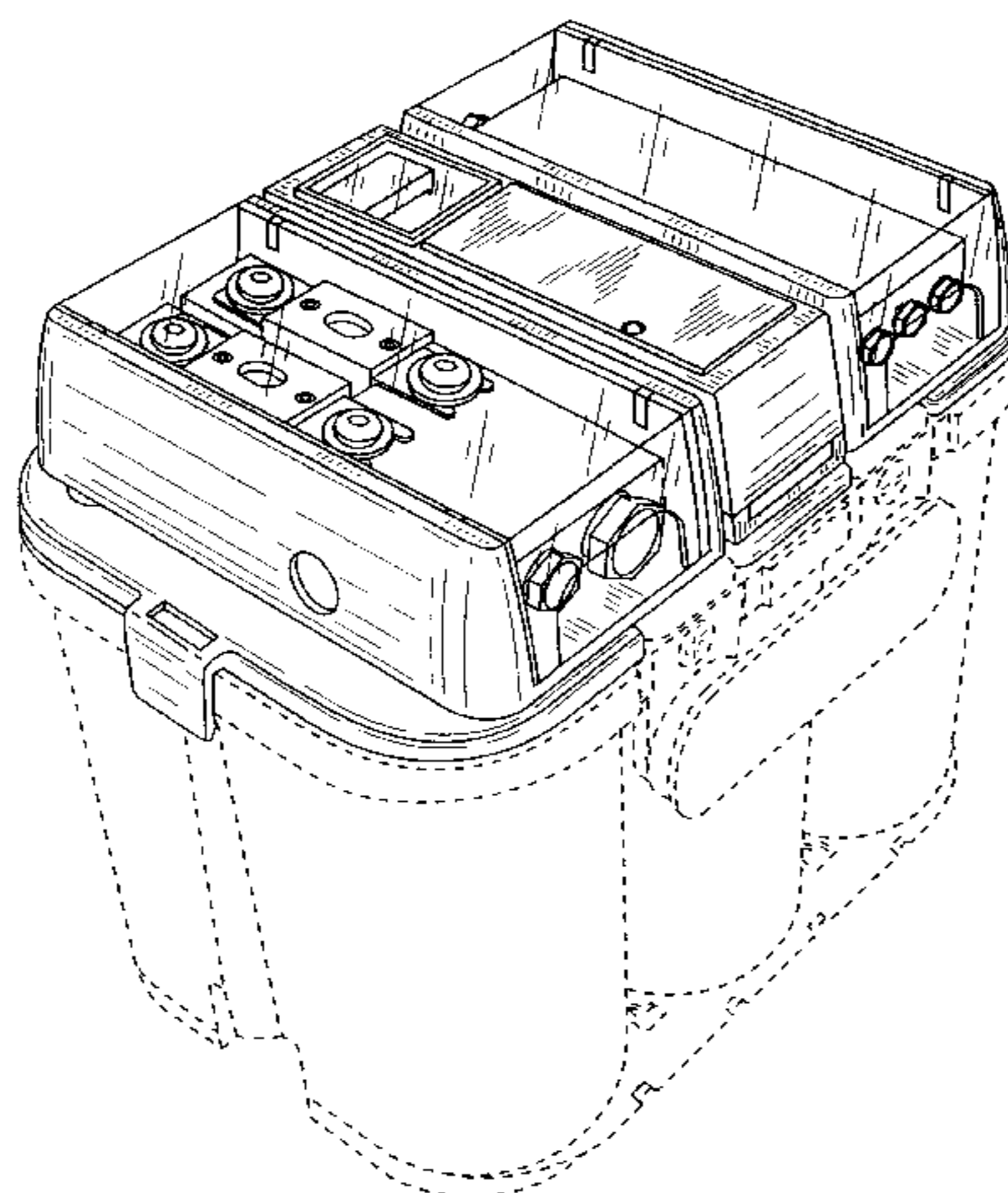
FIG. 5 is a left side elevation view of FIG. 1;

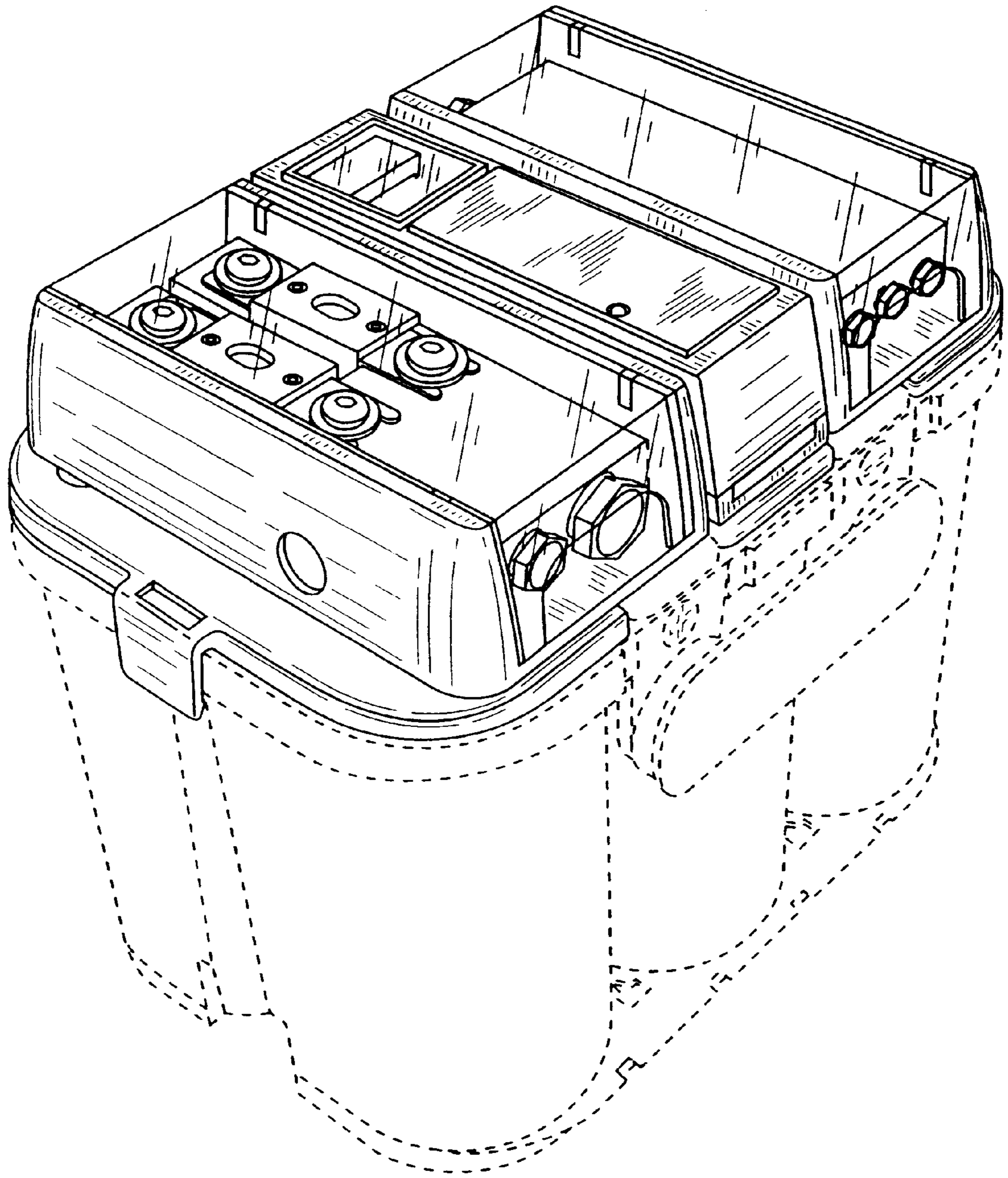
FIG. 6 is a rear side elevation view of FIG. 1; and,

FIG. 7 is a front side elevation view of FIG. 1.

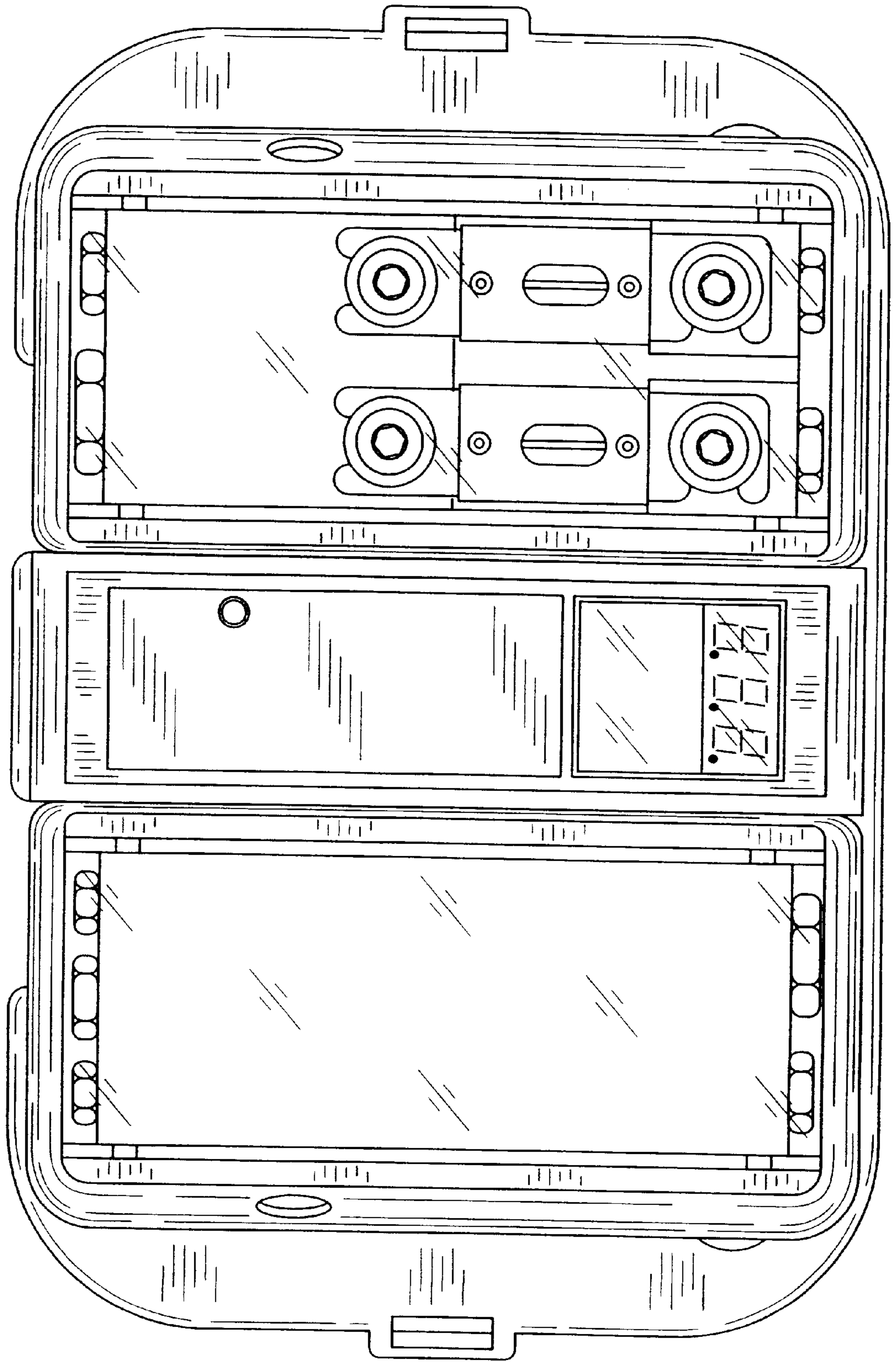
The appearance of our design for an automotive battery cover with power distribution and fuse connections characterized by a pair of transparent covers with openings for access to novel metal distribution blocks which comprise battery connectors, fuse holders and external power wire connections, as shown.

**1 Claim, 5 Drawing Sheets**

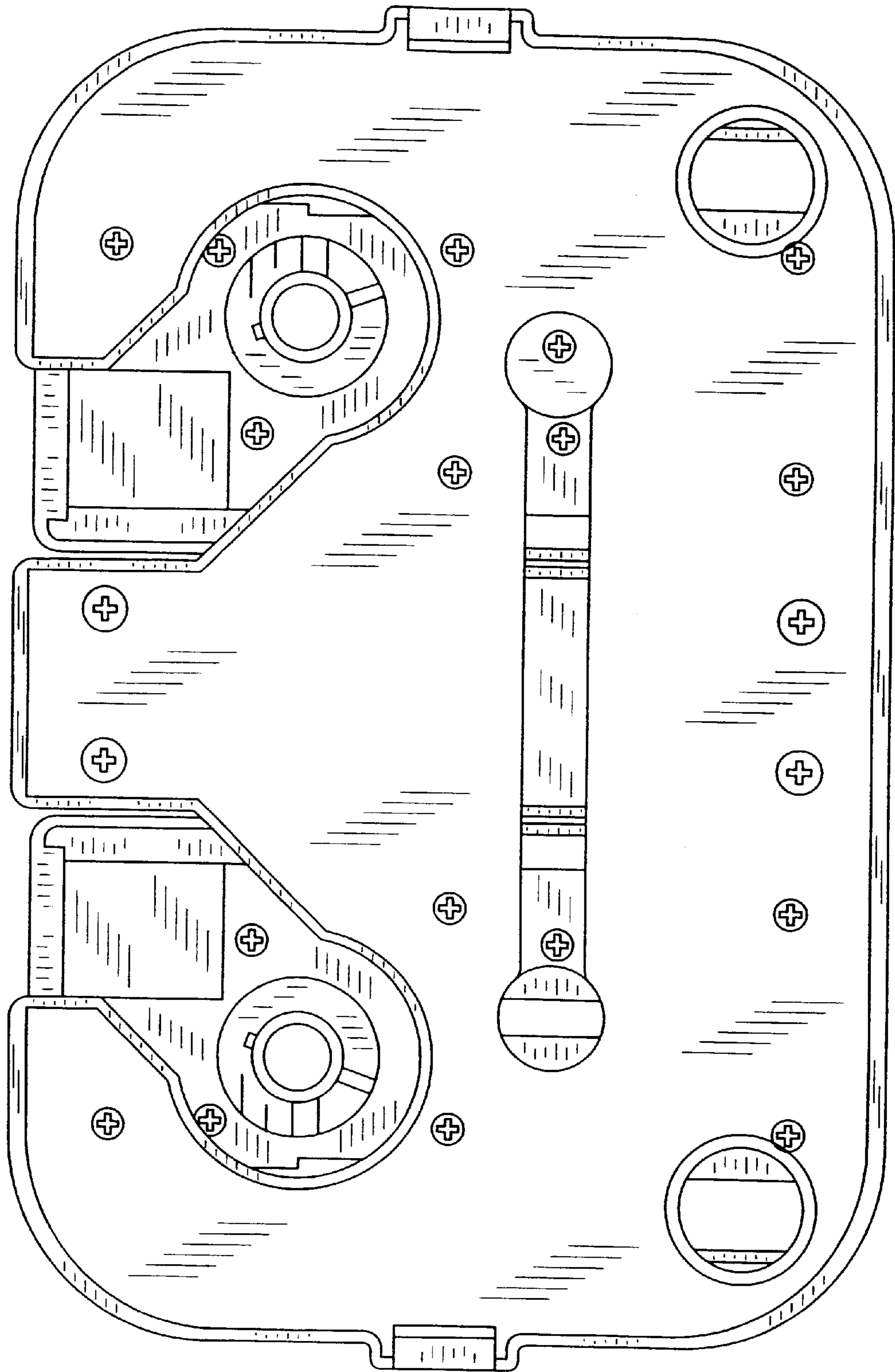




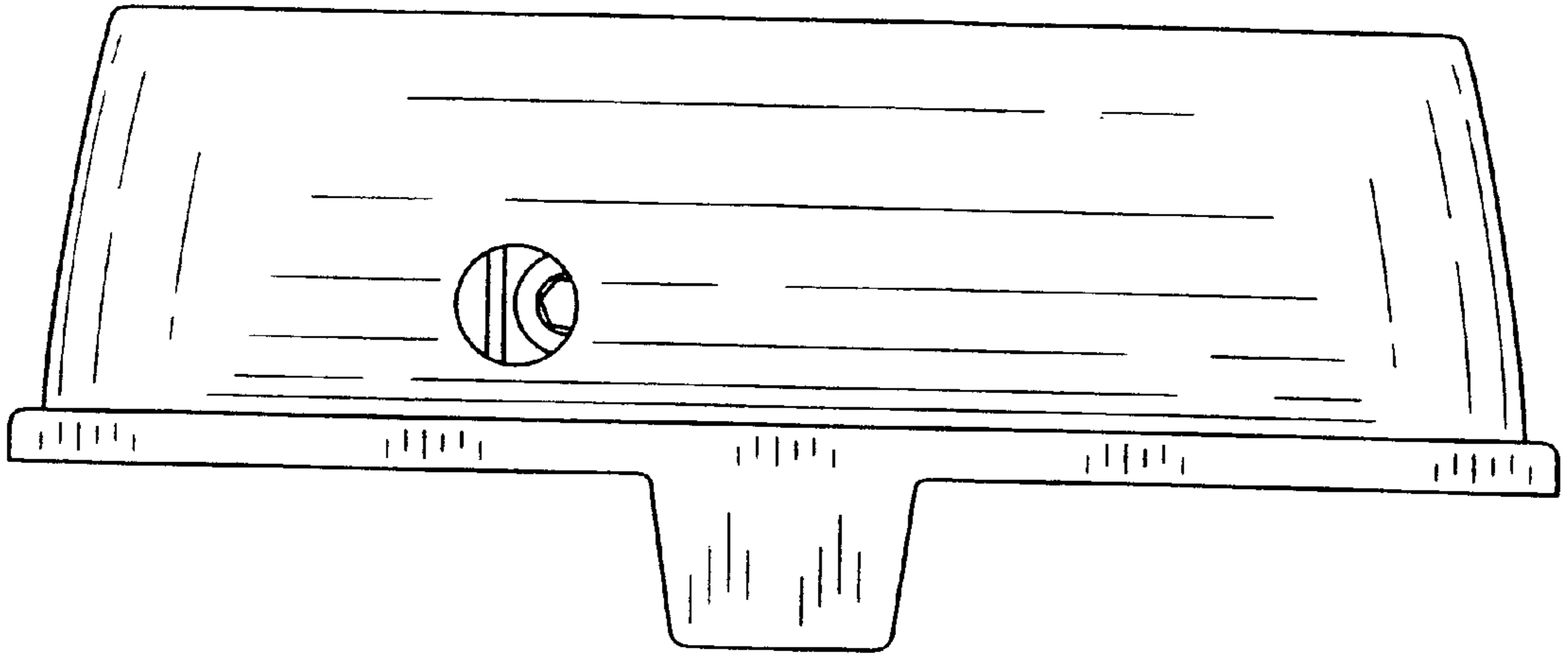
**FIG. 1**



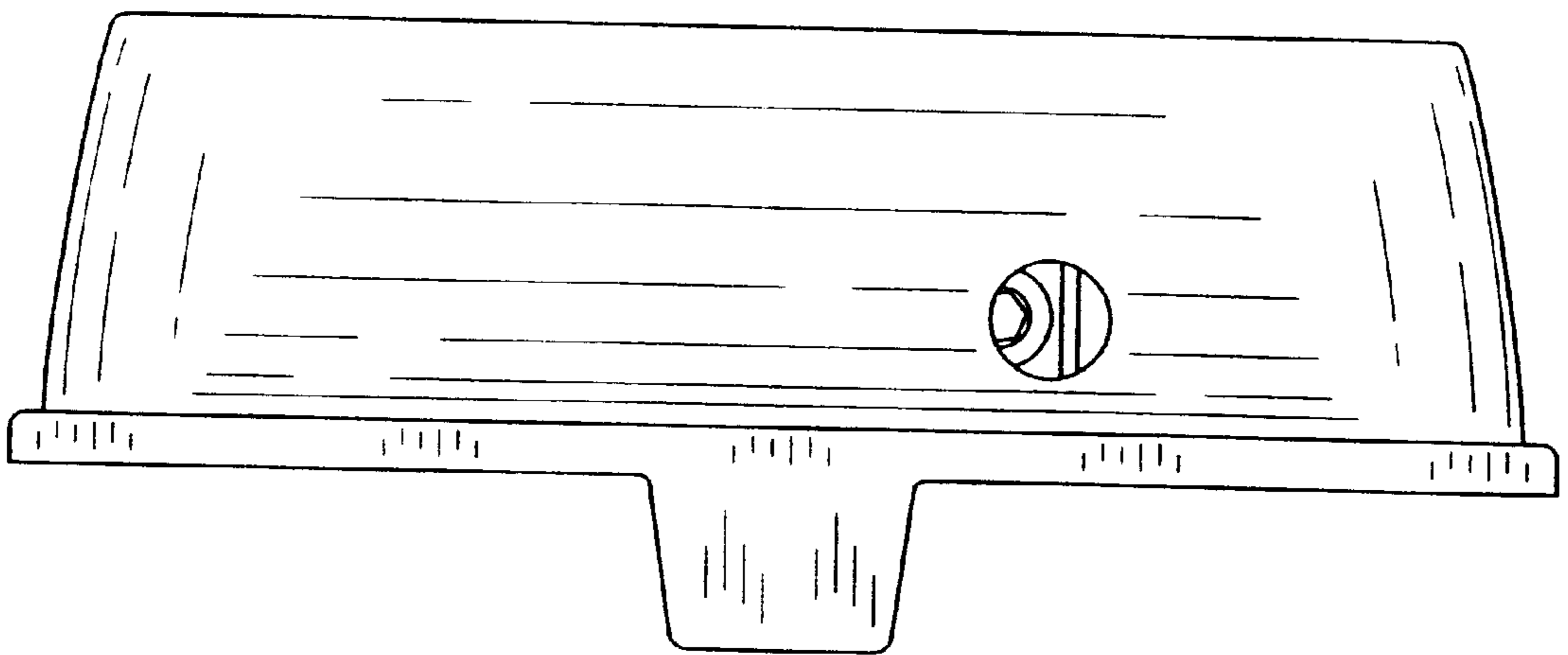
**FIG. 2**



**FIG. 3**



**FIG. 4**



**FIG. 5**



**FIG. 6**



**FIG. 7**