



US00D450649B1

(12) **United States Design Patent**
Penzes

(10) **Patent No.:** **US D450,649 S**

(45) **Date of Patent:** **** Nov. 20, 2001**

(54) **FRONT FACE OF A VEHICLE WHEEL**

(75) **Inventor:** **Anton Penzes, LakeForest, CA (US)**

(73) **Assignee:** **TSW Alloy Wheels, Lake Forest, CA (US)**

(**) **Term:** **14 Years**

(21) **Appl. No.:** **29/126,575**

(22) **Filed:** **Jul. 20, 2000**

(51) **LOC (7) Cl.** **12-16**

(52) **U.S. Cl.** **D12/211**

(58) **Field of Search** **D12/204-211;**
301/37.1, 64.1, 65

D. 414,454	*	9/1999	Chung	D12/211
D. 416,850	*	11/1999	Cohen et al.	D12/211
D. 421,953	*	3/2000	Sims et al.	D12/211
D. 425,850	*	5/2000	Chung	D12/211
D. 429,206	*	8/2000	Ito	D12/211
D. 432,975	*	10/2000	Chung	D12/211
D. 436,911	*	1/2001	Chung	D12/211

* cited by examiner

Primary Examiner—Stacia Cadmus

(74) *Attorney, Agent, or Firm*—Liniak, Berenato, Longacre & White

(57) **CLAIM**

The ornamental design for a front face of a vehicle wheel, as shown and described.

DESCRIPTION

FIG. 1 is a front view of the front face of a vehicle wheel according to the present invention; and,
FIG. 2 is a front elevational perspective view of the front face of a vehicle wheel of FIG. 1 according to the present invention.

The broken line showing of environment is for illustrative purposes only and forms no part of the claimed design.

1 Claim, 2 Drawing Sheets

(56) **References Cited**

U.S. PATENT DOCUMENTS

D. 225,626	*	12/1972	Davidson	D12/211
D. 339,561	*	9/1993	Maiworm et al.	D12/211
D. 344,924	*	3/1994	Braungart et al.	D12/211
D. 402,951	*	12/1998	Wechner	D12/211
D. 405,749	*	2/1999	Kulla	D12/211
D. 406,807	*	3/1999	Shikado	D12/211
D. 410,886	*	6/1999	Nishida	D12/211
D. 413,853	*	9/1999	Hale, Jr.	D12/211

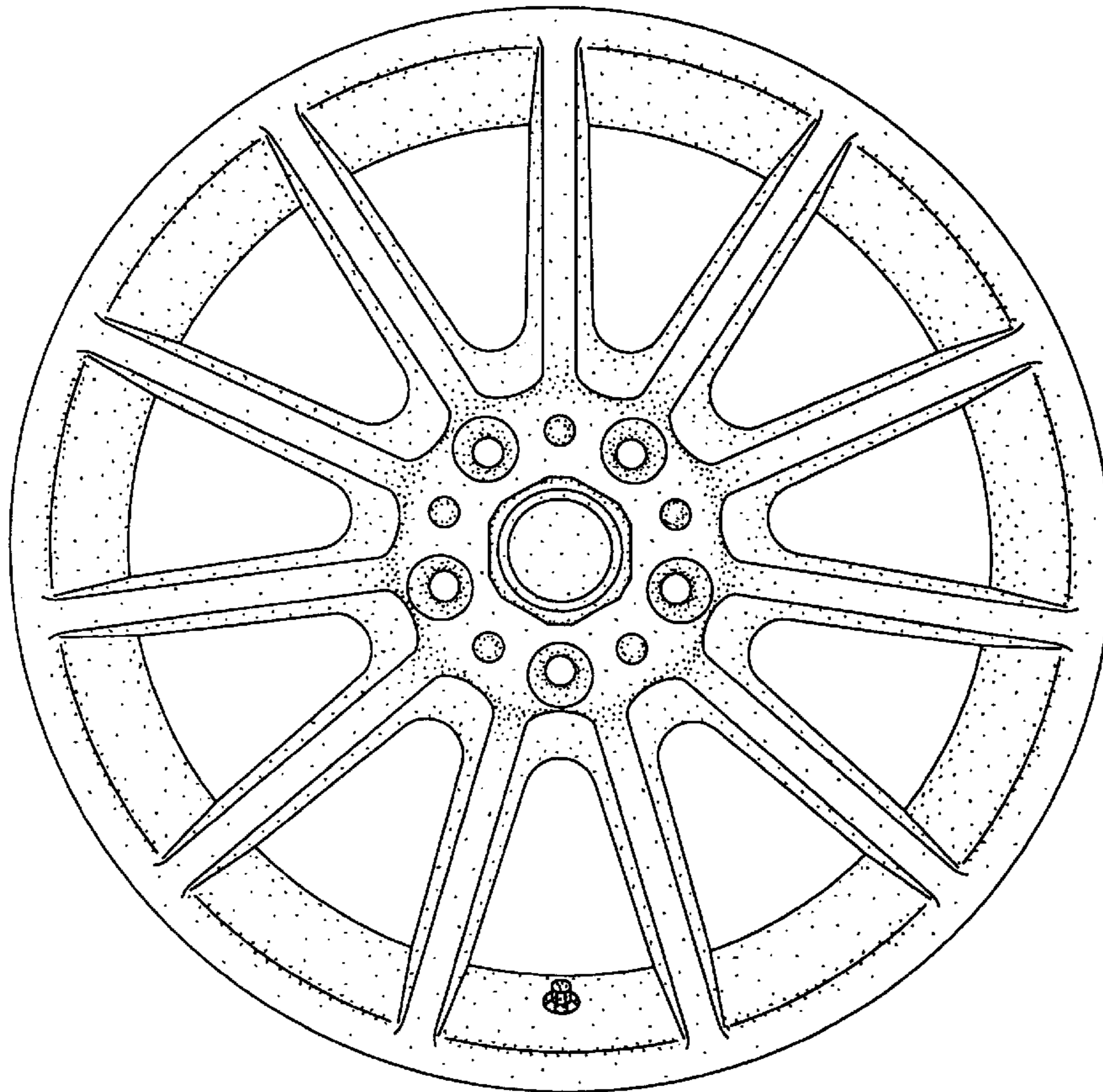


Fig. 1

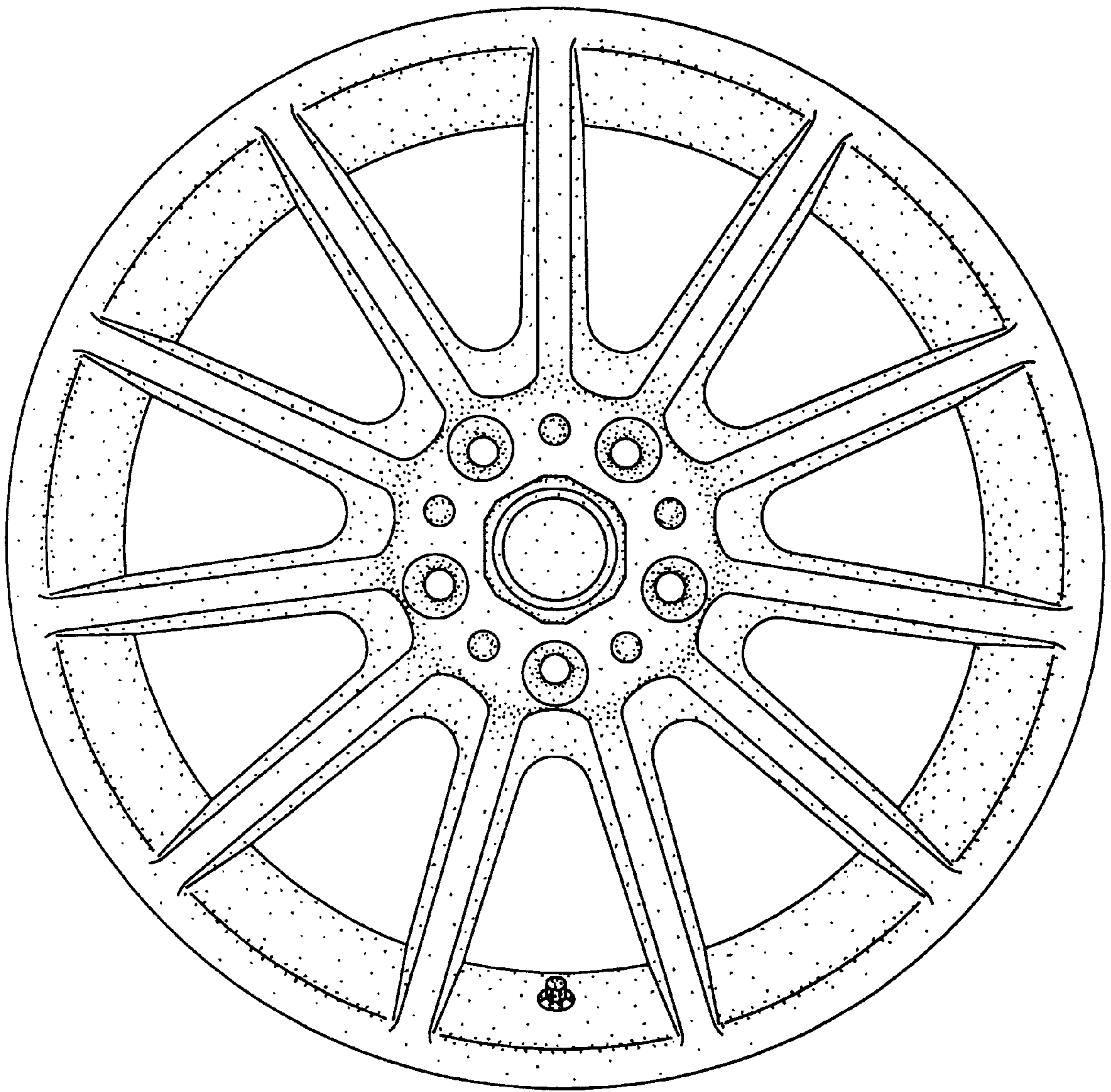


Fig. 2

