



US00D450647B1

(12) **United States Design Patent**  
**Pfeiffer**

(10) **Patent No.:** **US D450,647 S**

(45) **Date of Patent:** **\*\* Nov. 20, 2001**

(54) **FRONT FACE OF A VEHICLE WHEEL**

(75) Inventor: **Peter Pfeiffer**, Boeblingen (DE)

(73) Assignee: **DaimlerChrysler AG**, Stuttgart (DE)

(\*\*) Term: **14 Years**

(21) Appl. No.: **29/111,257**

(22) Filed: **Oct. 13, 1999**

(30) **Foreign Application Priority Data**

Apr. 13, 1999 (DE) ..... 499 03 636

(51) **LOC (7) Cl.** ..... **12-16**

(52) **U.S. Cl.** ..... **D12/211**

(58) **Field of Search** ..... D12/204-211;  
301/37.1, 64.1, 65

(56) **References Cited**

**U.S. PATENT DOCUMENTS**

- D. 267,564 \* 1/1983 Wright ..... D12/211
- D. 361,547 \* 8/1995 Weld ..... D12/211
- D. 379,612 \* 6/1997 Honarkhah ..... D12/209
- D. 380,432 \* 7/1997 Hettler ..... D12/209
- D. 384,320 \* 9/1997 Bhambra ..... D12/209
- D. 391,543 \* 3/1998 Renkert ..... D12/209
- D. 398,573 \* 9/1998 Cattaneo ..... D12/211
- D. 407,057 \* 3/1999 Goplen ..... D12/211
- D. 407,364 \* 3/1999 Fisker ..... D12/209
- D. 407,680 \* 4/1999 Bhambra ..... D12/209

- D. 412,692 \* 8/1999 Hussaini ..... D12/209
- D. 421,417 \* 3/2000 Weidhase ..... D12/209
- D. 422,258 \* 4/2000 Hale, Jr. .... D12/211
- D. 426,184 \* 6/2000 Goplen ..... D12/209
- D. 427,555 \* 7/2000 Hall ..... D12/209
- D. 428,846 \* 8/2000 Yoshida et al. .... D12/211
- D. 429,681 \* 8/2000 Cullen ..... D12/211
- D. 431,514 \* 10/2000 Cullen ..... D12/209
- D. 432,974 \* 10/2000 Jablonski ..... D12/211
- D. 433,659 \* 11/2000 Frizzi ..... D12/211
- D. 435,502 \* 12/2000 Donikoglu ..... D12/211
- D. 437,819 \* 2/2001 Brown et al. .... D12/209
- D. 438,505 \* 3/2001 McMath ..... D12/211

\* cited by examiner

*Primary Examiner*—Stacia Cadmus

(74) *Attorney, Agent, or Firm*—Crowell & Moring LLP

(57) **CLAIM**

The ornamental design for a front face of a vehicle wheel, as shown and described.

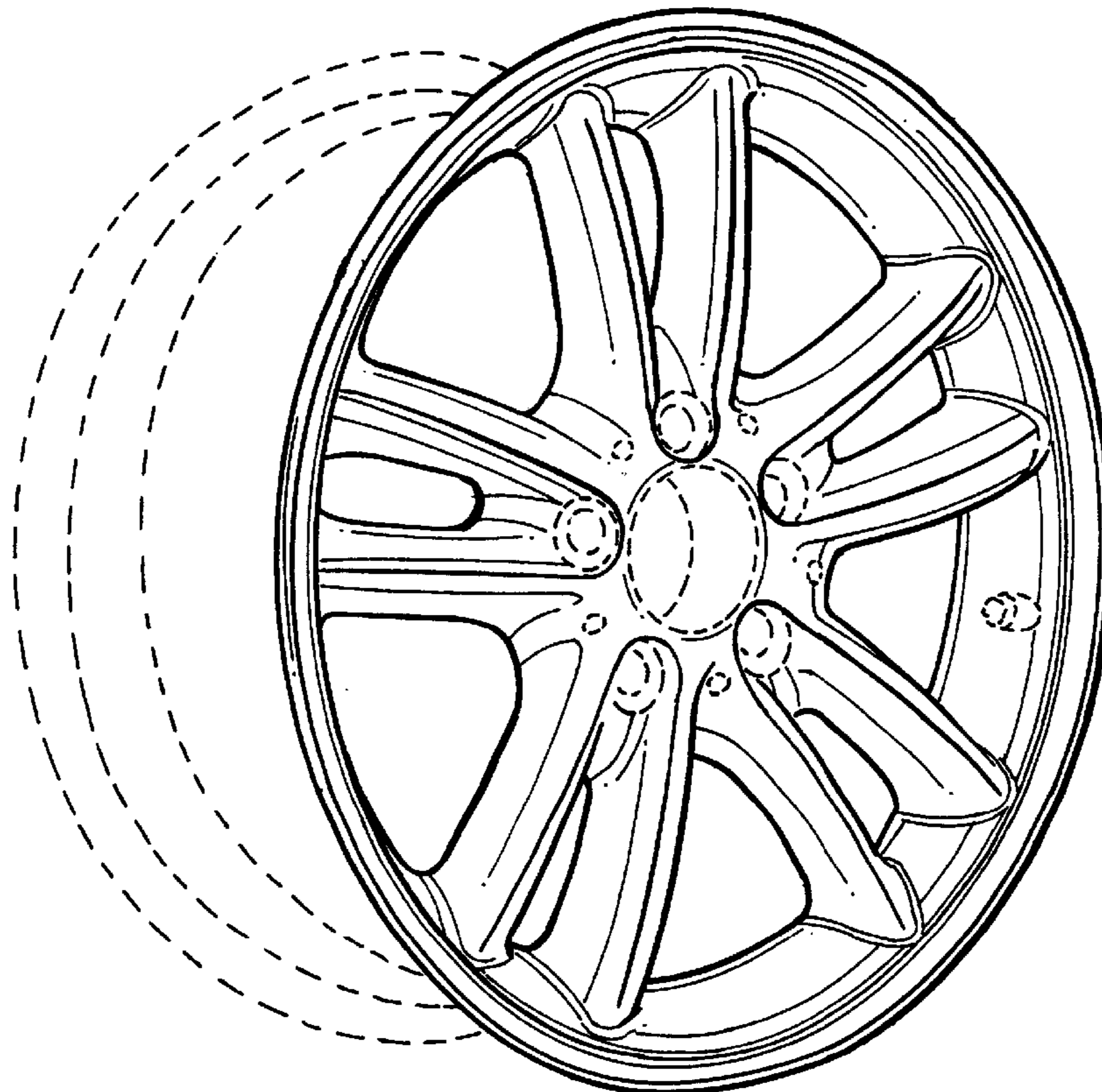
**DESCRIPTION**

FIG. 1 is a front view of a front face of a vehicle wheel according to my novel design; and,

FIG. 2 is a perspective view of the front face of a vehicle wheel according to my novel design.

The dash lines included depict environment and are not part of the claimed design.

**1 Claim, 1 Drawing Sheet**



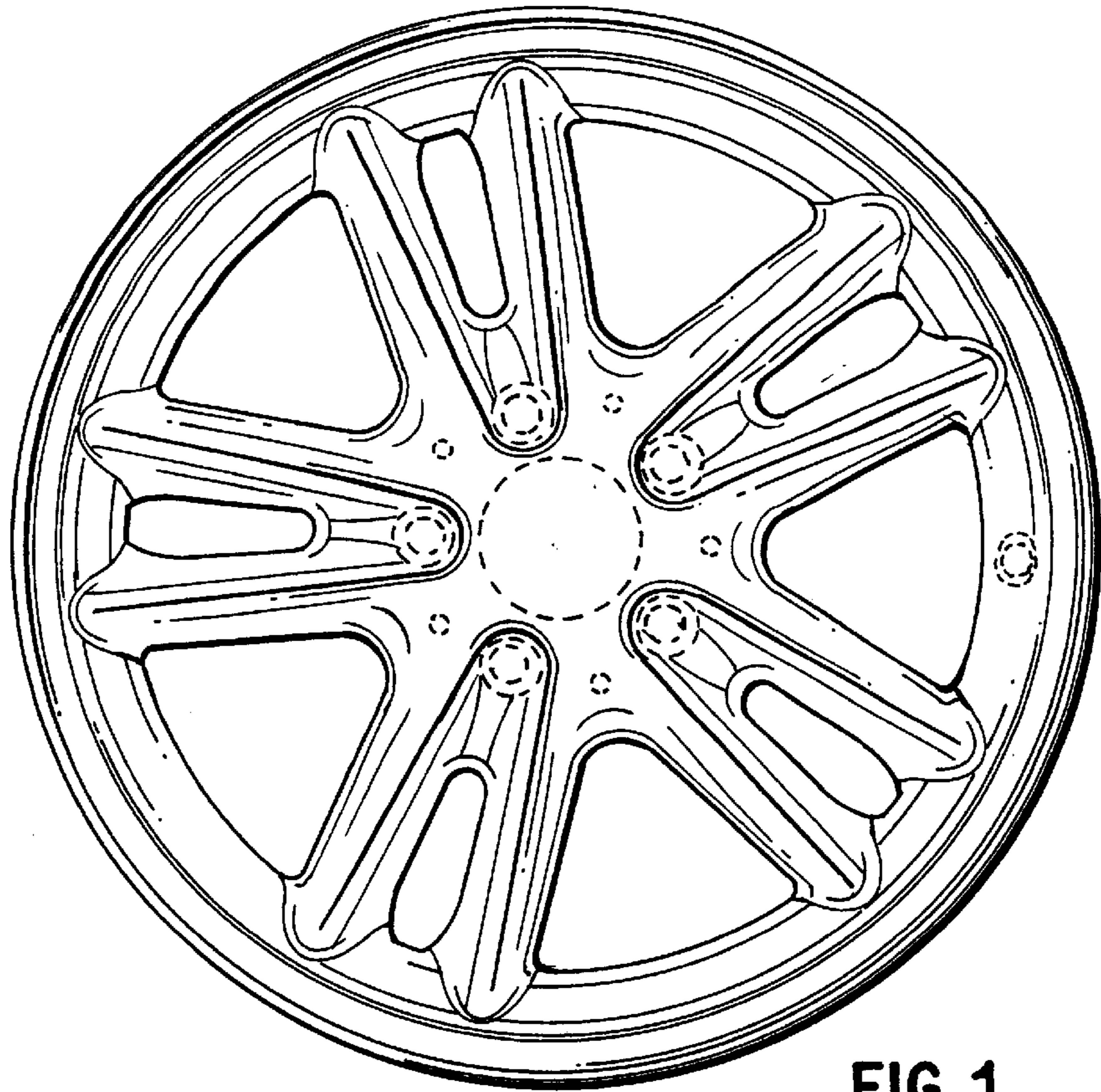


FIG. 1

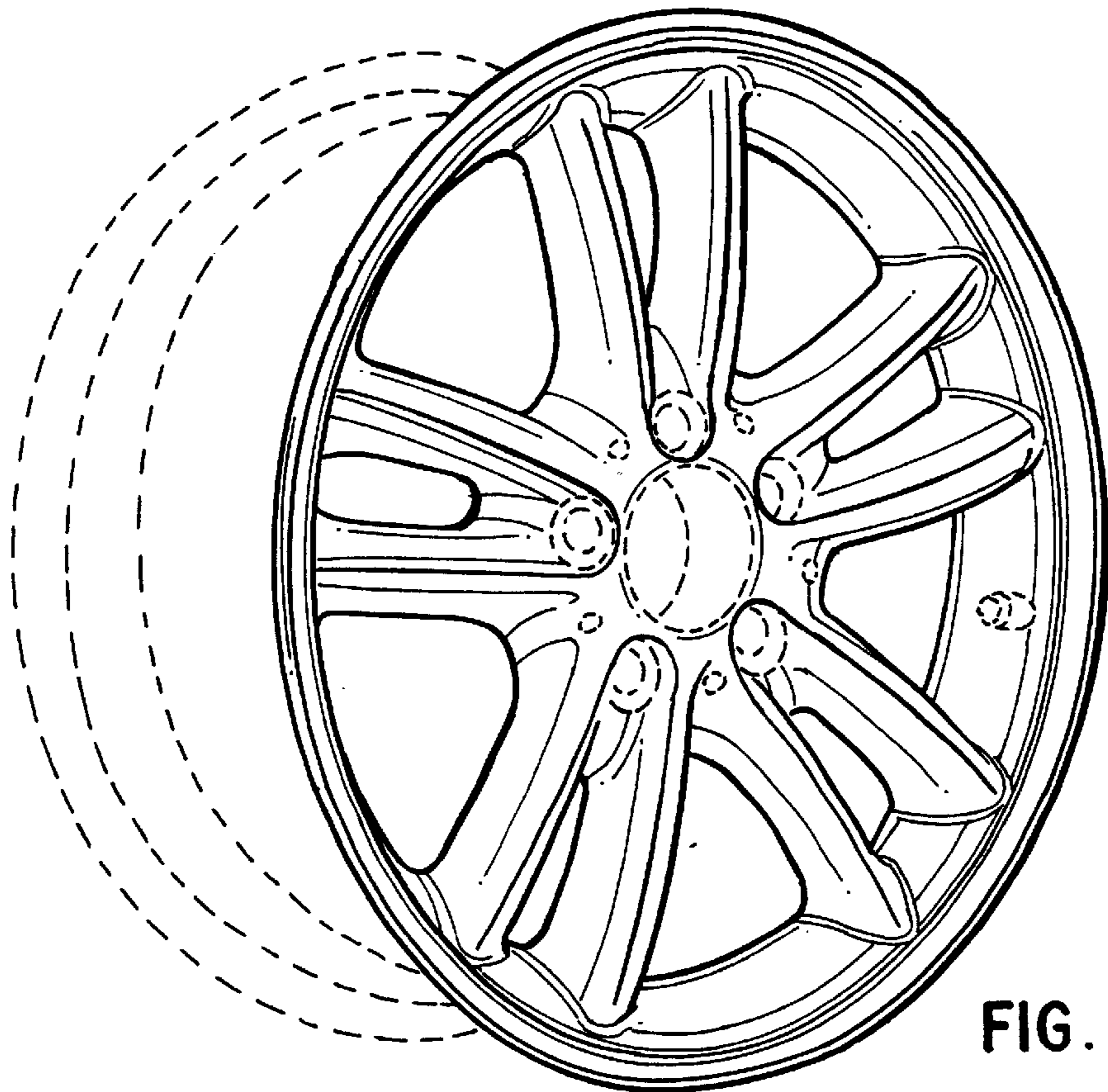


FIG. 2