



US00D450644B1

(12) **United States Design Patent**  
**Farkash**

(10) **Patent No.:** **US D450,644 S**

(45) **Date of Patent:** **\*\* Nov. 20, 2001**

(54) **VEHICLE RUNNING BOARD STORAGE  
BOX WITH CHanneled FRONT EDGE**

(76) Inventor: **Daniel G. Farkash**, 28442 Driver Ave.,  
Agoura Hills, CA (US) 91301

(\*\*) Term: **14 Years**

(21) Appl. No.: **29/138,176**

(22) Filed: **Mar. 9, 2001**

(51) **LOC (7) Cl.** ..... **12-16**

(52) **U.S. Cl.** ..... **D12/203**

(58) **Field of Search** ..... D12/203, 190,  
D12/167, 169; 280/163, 164.1, 165-166,  
169, 153.5, 848, 607, 828; 180/182-185,  
190, 193

(56) **References Cited**

**U.S. PATENT DOCUMENTS**

D. 281,061	*	10/1985	Tortolani	.....	D12/167
D. 297,724	*	9/1988	Helber	.....	D12/169
D. 313,862	*	1/1991	Gaukler	.....	D12/190
D. 329,999	*	10/1992	Vourakes et al.	.....	D12/169
D. 351,128	*	10/1994	Waddington et al.	.....	D12/203
D. 361,974	*	9/1995	Hornik	.....	D12/203

D. 379,079	*	5/1997	Thomas, Jr.	.....	D12/203
D. 395,269	*	6/1998	McCauley, Jr.	.....	D12/203
D. 400,486	*	11/1998	Zentner	.....	D12/203
D. 402,611	*	12/1998	Thomas, Jr.	.....	D12/203
D. 411,976	*	7/1999	McCauley	.....	D12/203
D. 434,711	*	12/2000	McQuiston	.....	D12/203

\* cited by examiner

*Primary Examiner*—Stacia Cadmus

(74) *Attorney, Agent, or Firm*—Jack C. Munro

(57) **CLAIM**

The ornamental design for a vehicle running board storage box with channeled front edge, as shown and described.

**DESCRIPTION**

FIG. 1 is a front perspective view of the vehicle running board storage box with channeled front edge showing my new design;

FIG. 2 is a front elevational view thereof;

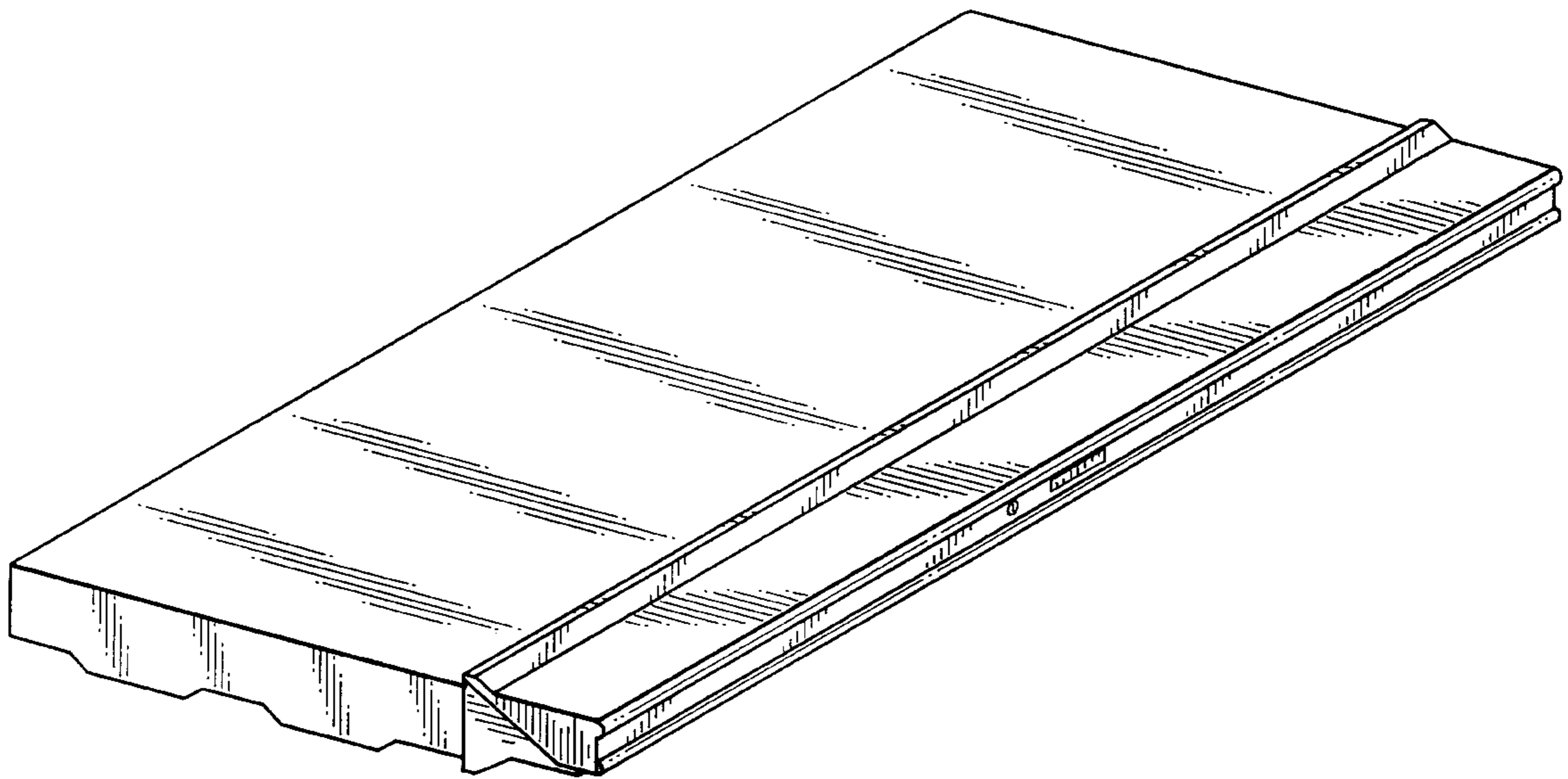
FIG. 3 is a top plan view thereof;

FIG. 4 is a bottom plan view thereof;

FIG. 5 is a rear elevational view thereof; and,

FIG. 6 is an enlarged right side elevational view thereof with the left side being identical but reversed.

**1 Claim, 4 Drawing Sheets**



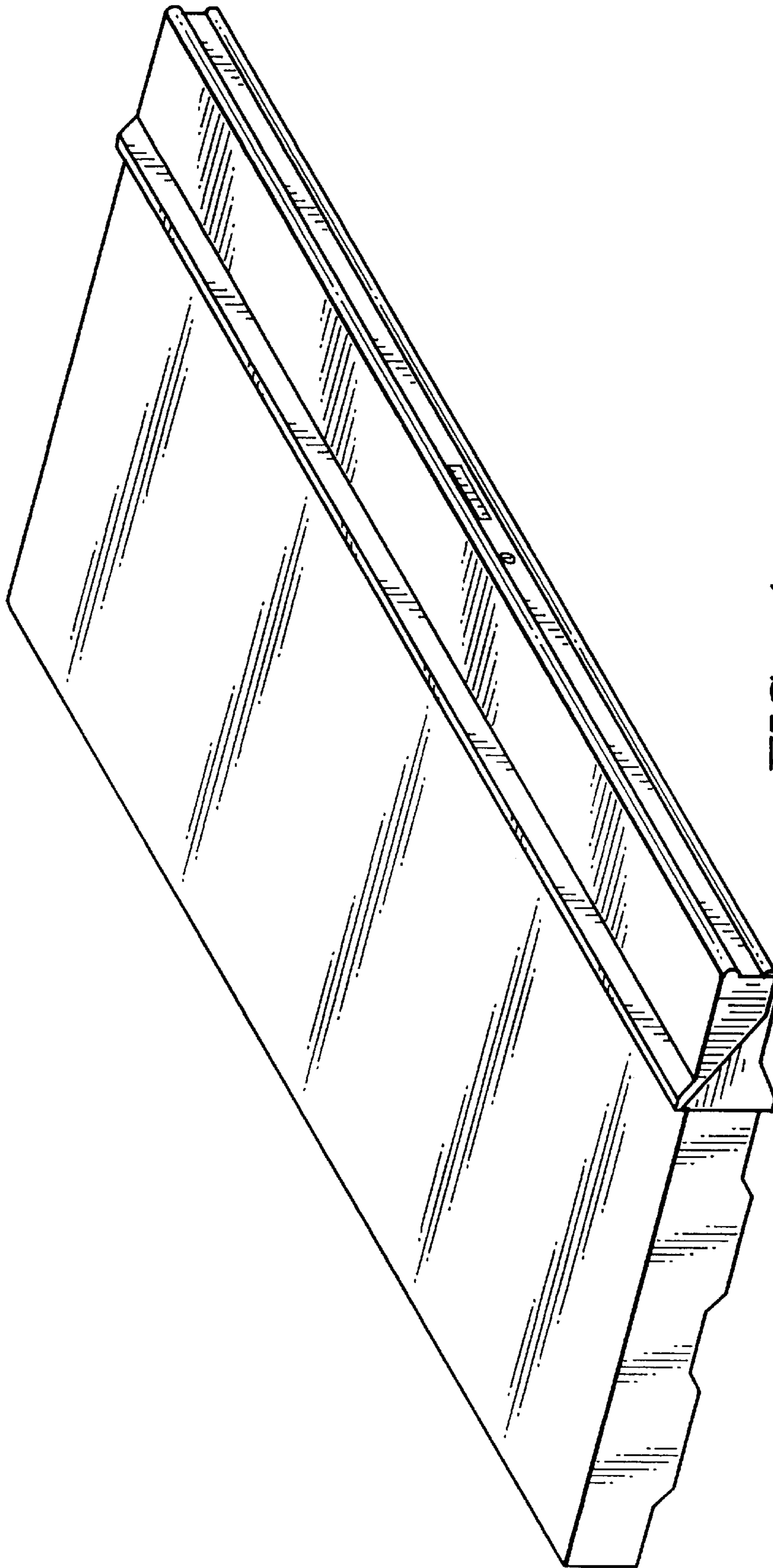


FIG. 1

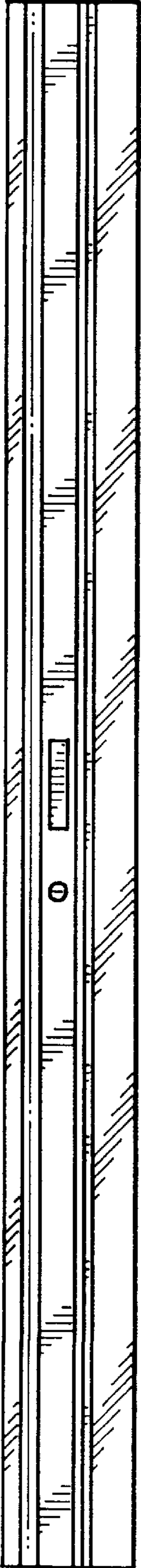


FIG. 2

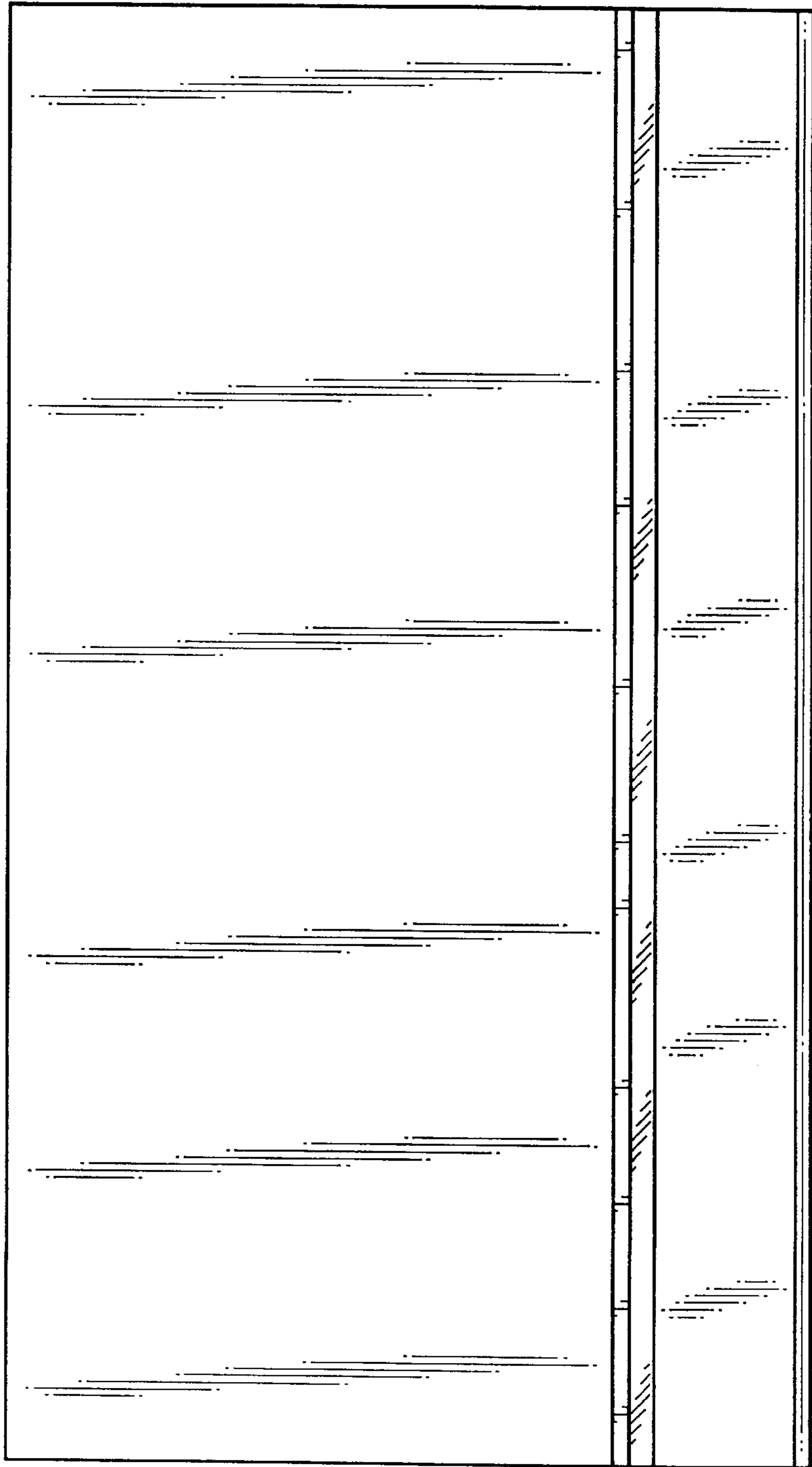


FIG. 3

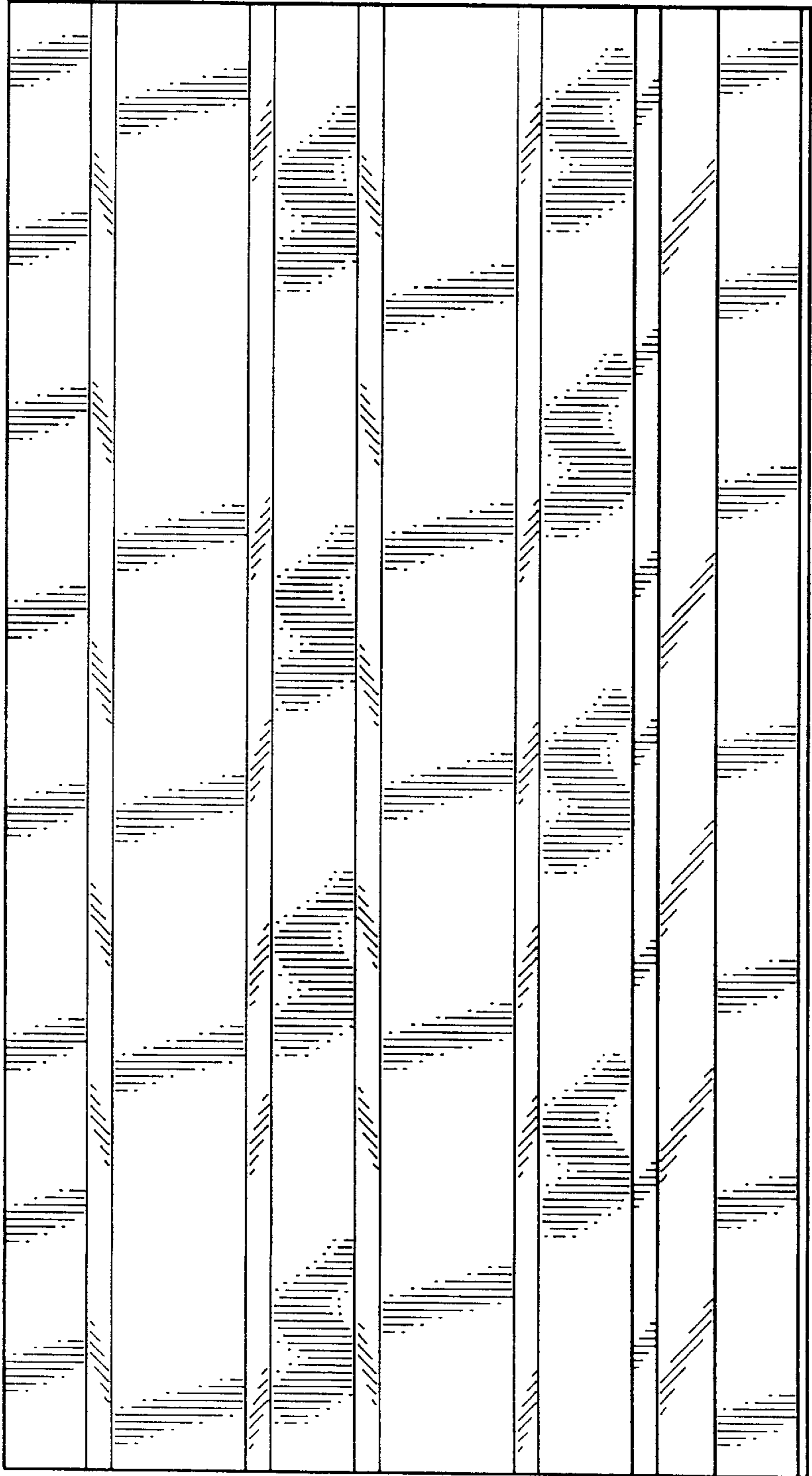


FIG. 4

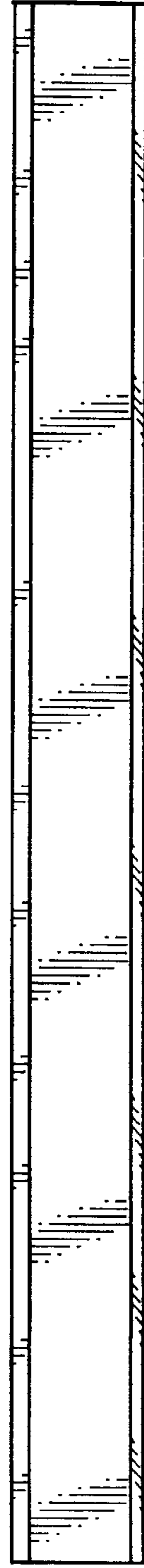


FIG. 5

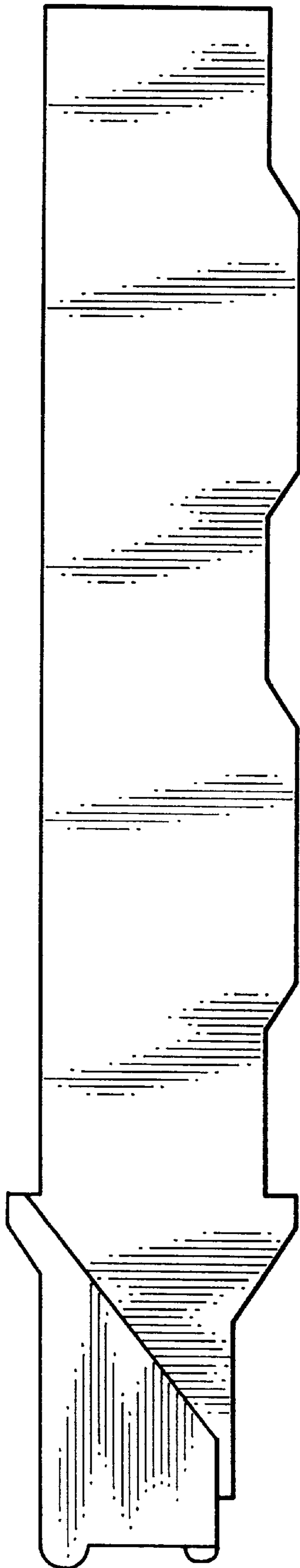


FIG. 6