



US00D450634B1

(12) **United States Design Patent**
Yang

(10) **Patent No.:** **US D450,634 S**

(45) **Date of Patent:** **** Nov. 20, 2001**

(54) **WALKER**

6,224,077 * 5/2001 Sheng D12/130

(76) Inventor: **Chi-Ting Yang**, 58, Ma Yuan West St.,
Taichung (TW)

* cited by examiner

Primary Examiner—Marcus A. Jackson

(**) Term: **14 Years**

(57) **CLAIM**

(21) Appl. No.: **29/140,249**

The ornamental design for a walker, as shown and described.

(22) Filed: **Apr. 11, 2001**

DESCRIPTION

(51) **LOC (7) Cl.** **12-12**

FIG. 1 is a perspective view of a walker showing my new design;

(52) **U.S. Cl.** **D12/129**

FIG. 2 is a front elevational view thereof;

(58) **Field of Search** D12/128-133;

FIG. 3 is a rear elevational view thereof;

D6/332, 333, 339; D21/476; 297/5, 6; 280/648;
446/227

FIG. 4 is a left side elevational view thereof.

FIG. 5 is a right side elevational view thereof;

(56) **References Cited**

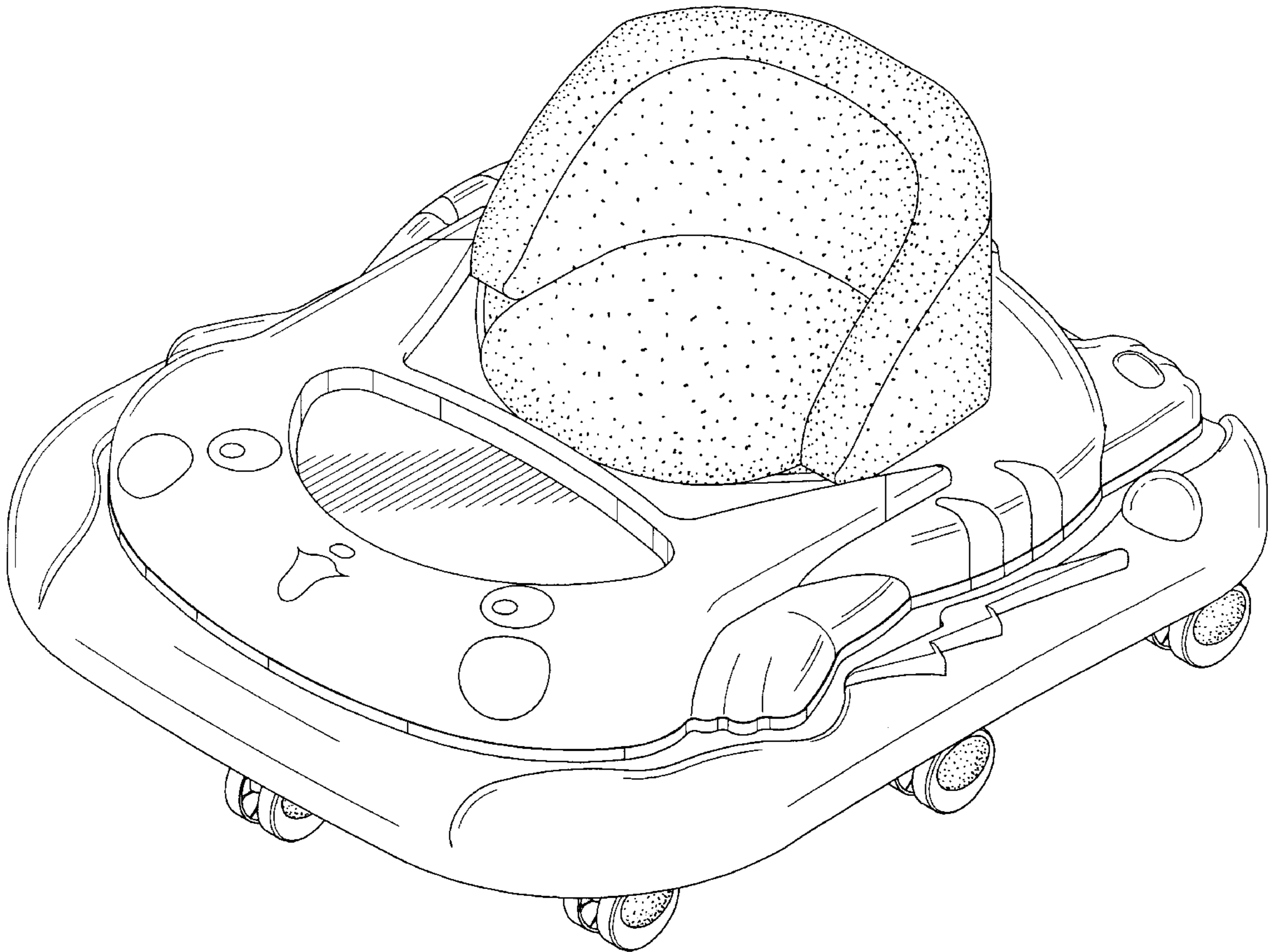
FIG. 6 is a top plan view thereof; and,

FIG. 7 is a bottom plan view thereof.

U.S. PATENT DOCUMENTS

D. 402,931 * 12/1998 Huang D12/130

1 Claim, 7 Drawing Sheets



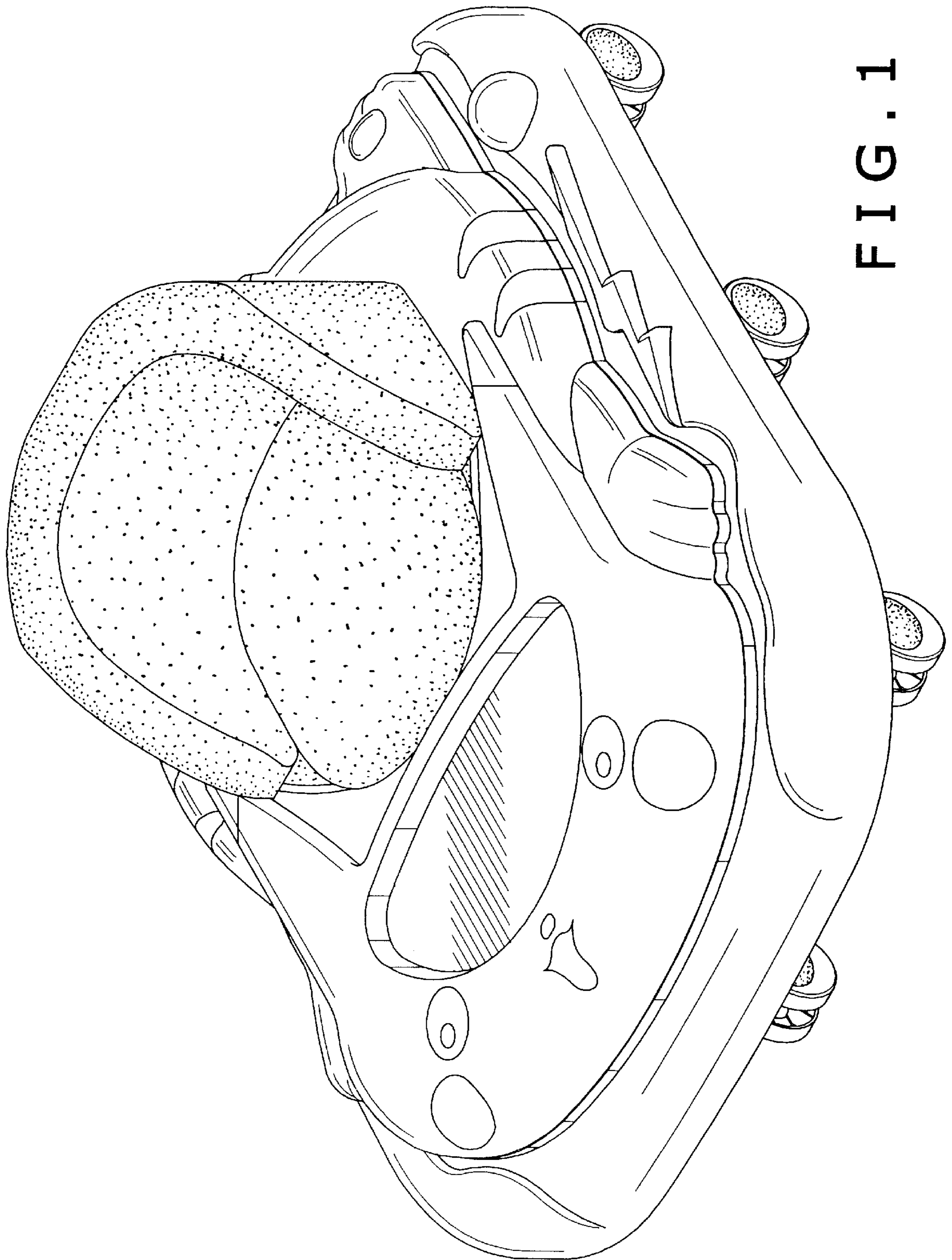


FIG. 1

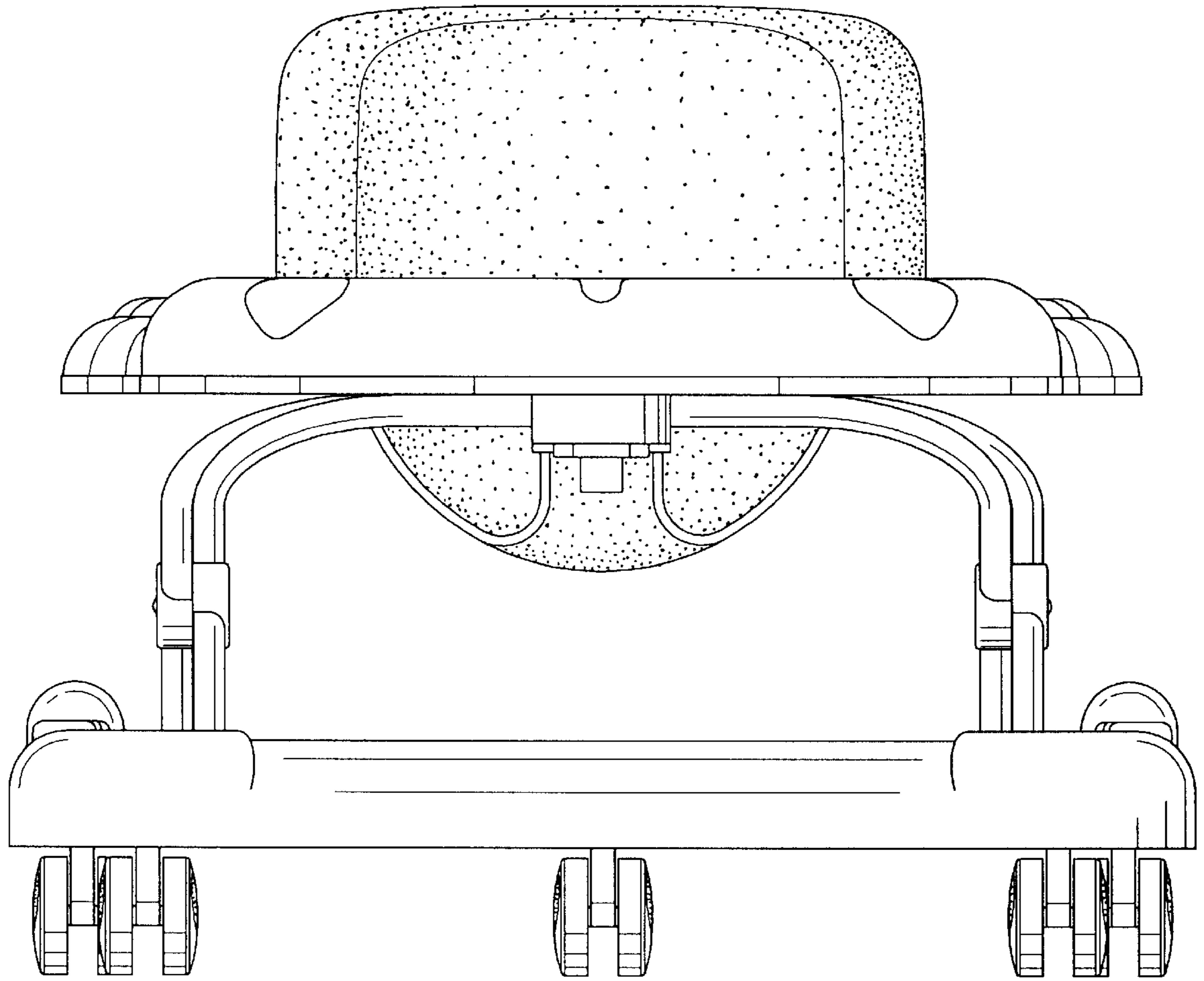


FIG. 2

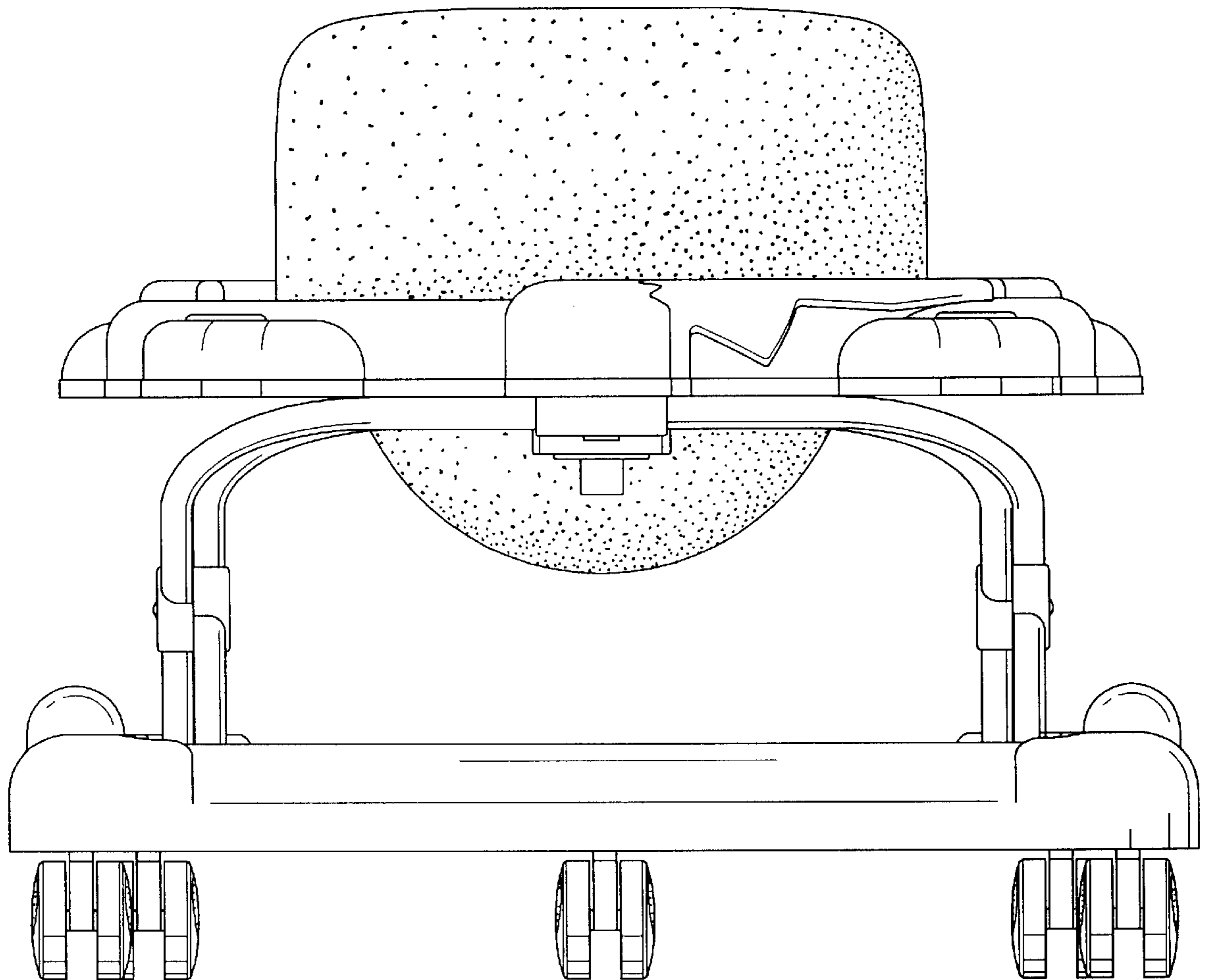


FIG. 3

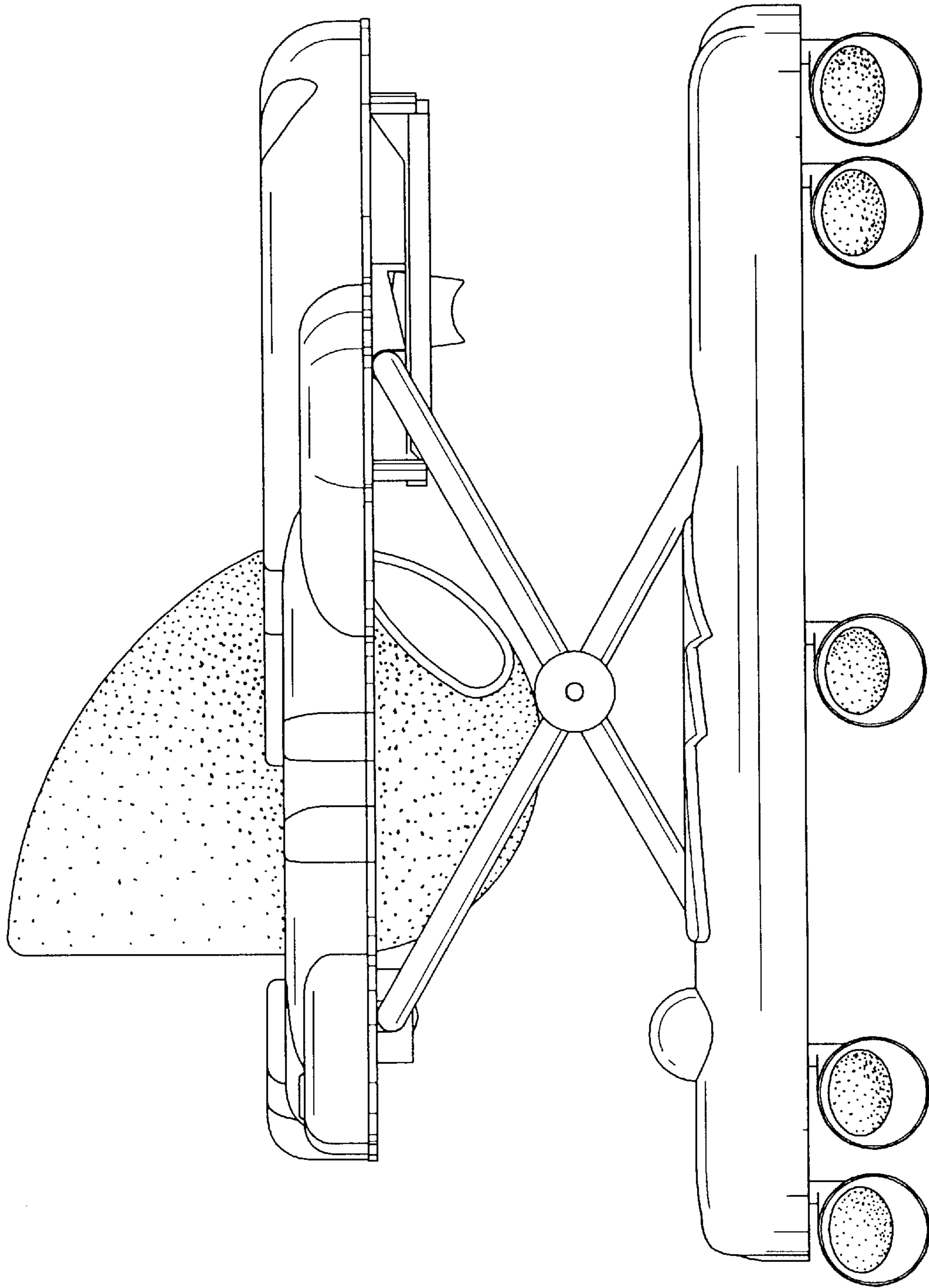


FIG. 4

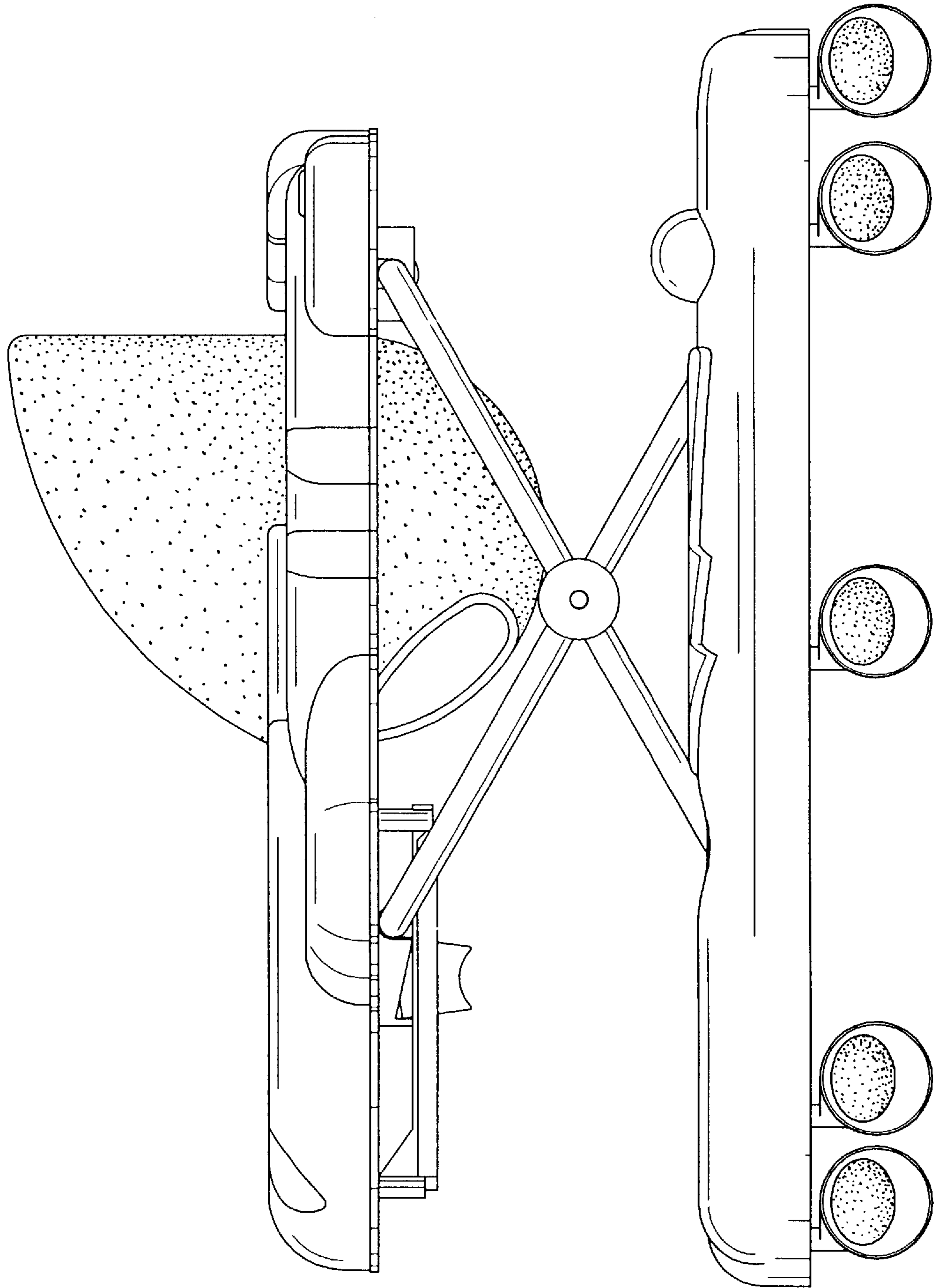


FIG. 5

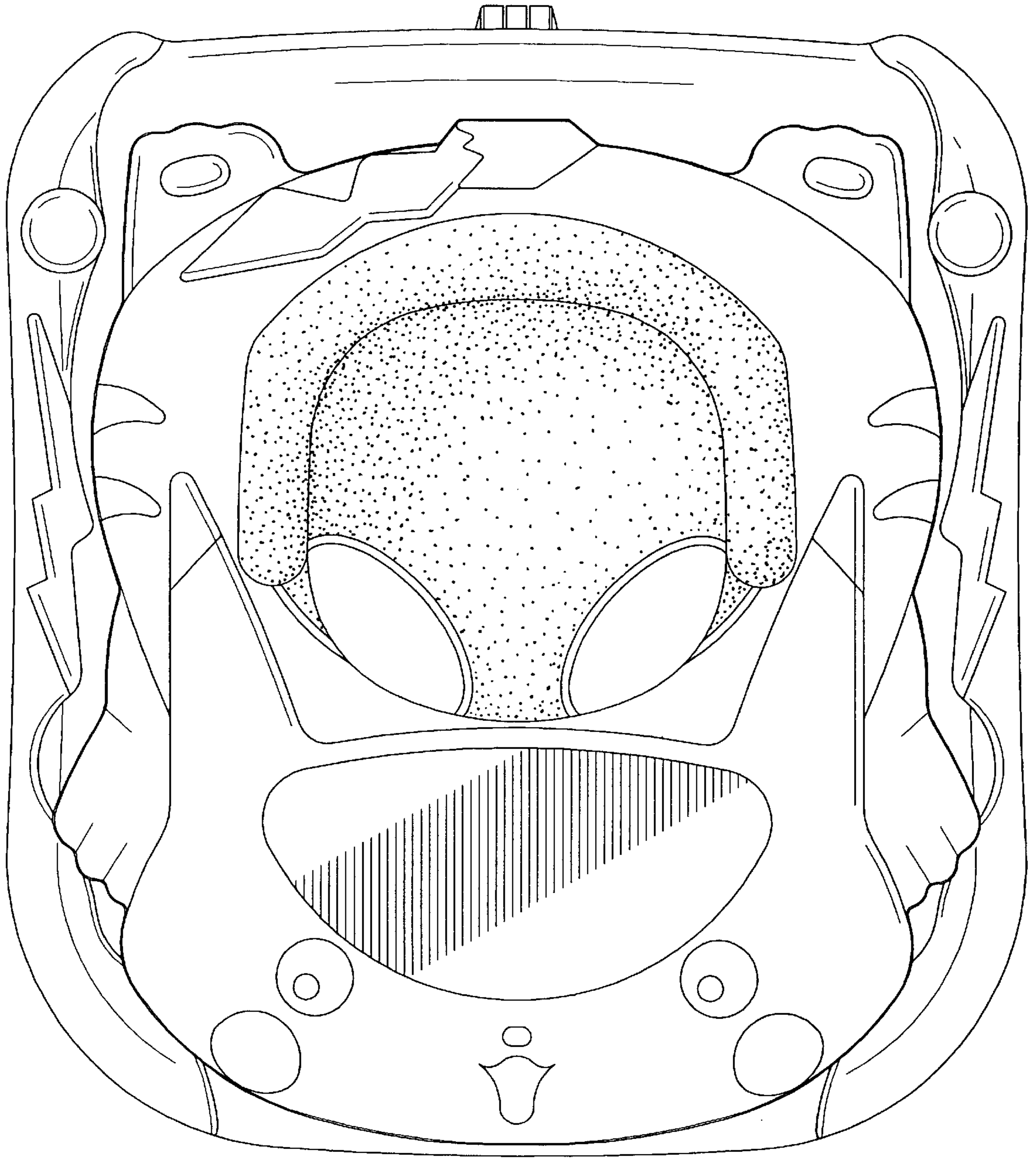


FIG. 6

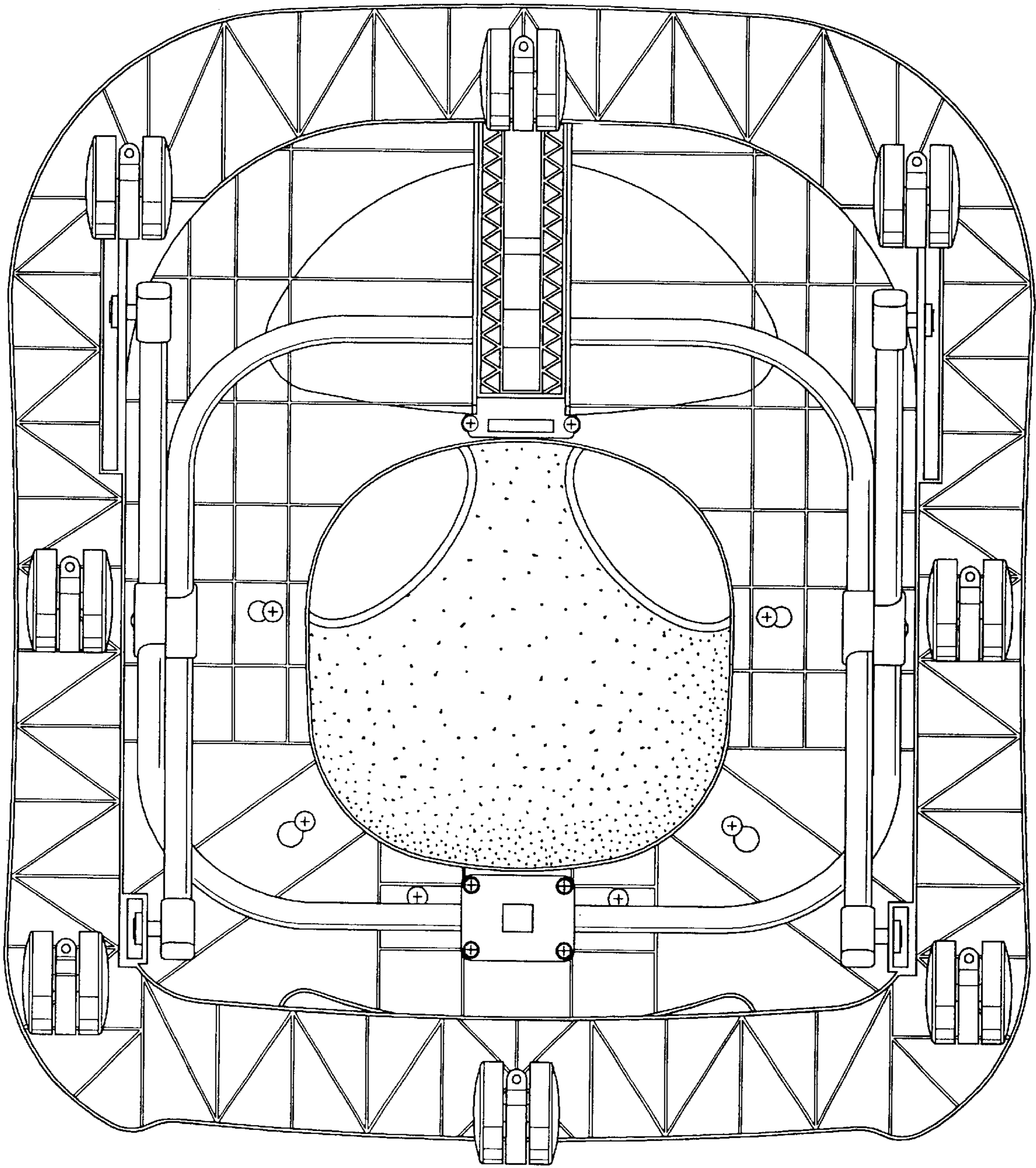


FIG. 7