



US00D450633B1

(12) **United States Design Patent**  
**Yang et al.**

(10) **Patent No.:** **US D450,633 S**

(45) **Date of Patent:** **\*\* Nov. 20, 2001**

(54) **DOUBLE SEAT STROLLER**

D. 431,212 \* 9/2000 Huang ..... D12/129

(75) Inventors: **Cheng-Fan Yang**, Tainan; **Lung-Yin Lin**, Nantou; **Youn-Fu You**, Changhua, all of (TW)

\* cited by examiner

*Primary Examiner*—Marcus A. Jackson  
(74) *Attorney, Agent, or Firm*—Birch, Stewart, Kolasch & Birch, LLP

(73) Assignee: **Link Treasure Limited**, Tortola (VG)

(\*\*) Term: **14 Years**

(57) **CLAIM**

The ornamental design for a double seat stroller, as shown and described.

(21) Appl. No.: **29/135,396**

(22) Filed: **Jan. 12, 2001**

**DESCRIPTION**

(51) **LOC (7) Cl.** ..... **12-12**

(52) **U.S. Cl.** ..... **D12/129**

(58) **Field of Search** ..... D12/128-133;  
280/30, 42, 642, 643, 644, 647, 648, 650,  
658; 297/39, 45

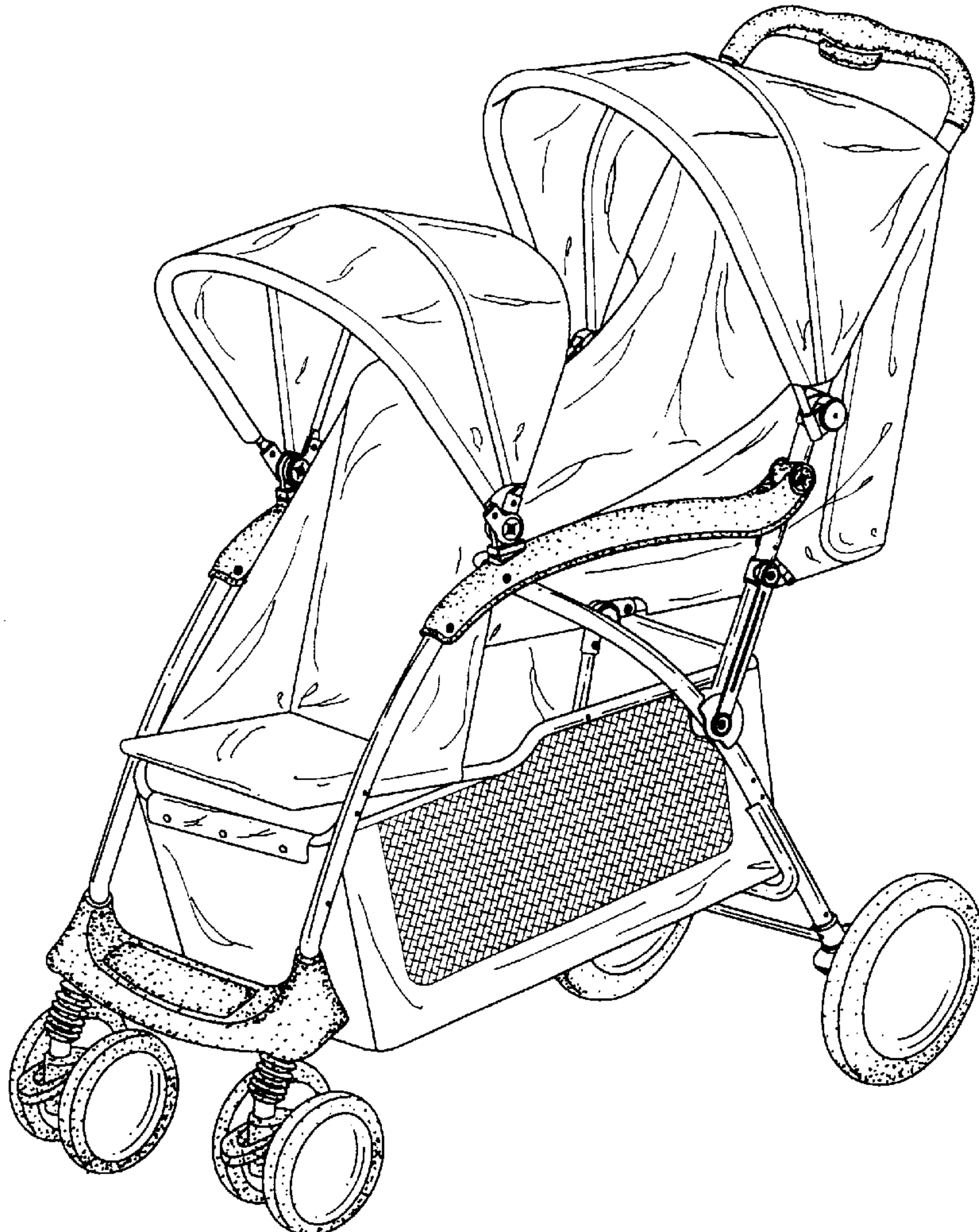
FIG. 1 is a perspective view of a double seat stroller showing my new design, with the padding omitted;  
FIG. 2 is right side elevational view thereof;  
FIG. 3 is a top view thereof;  
FIG. 4 is front view thereof;  
FIG. 5 is a bottom view thereof;  
FIG. 6 is a left side elevational view thereof; and  
FIG. 7 is a rear view thereof; and  
FIG. 8 is a perspective view thereof.

(56) **References Cited**

**U.S. PATENT DOCUMENTS**

D. 311,363 \* 10/1990 Lin ..... D12/129

**1 Claim, 8 Drawing Sheets**



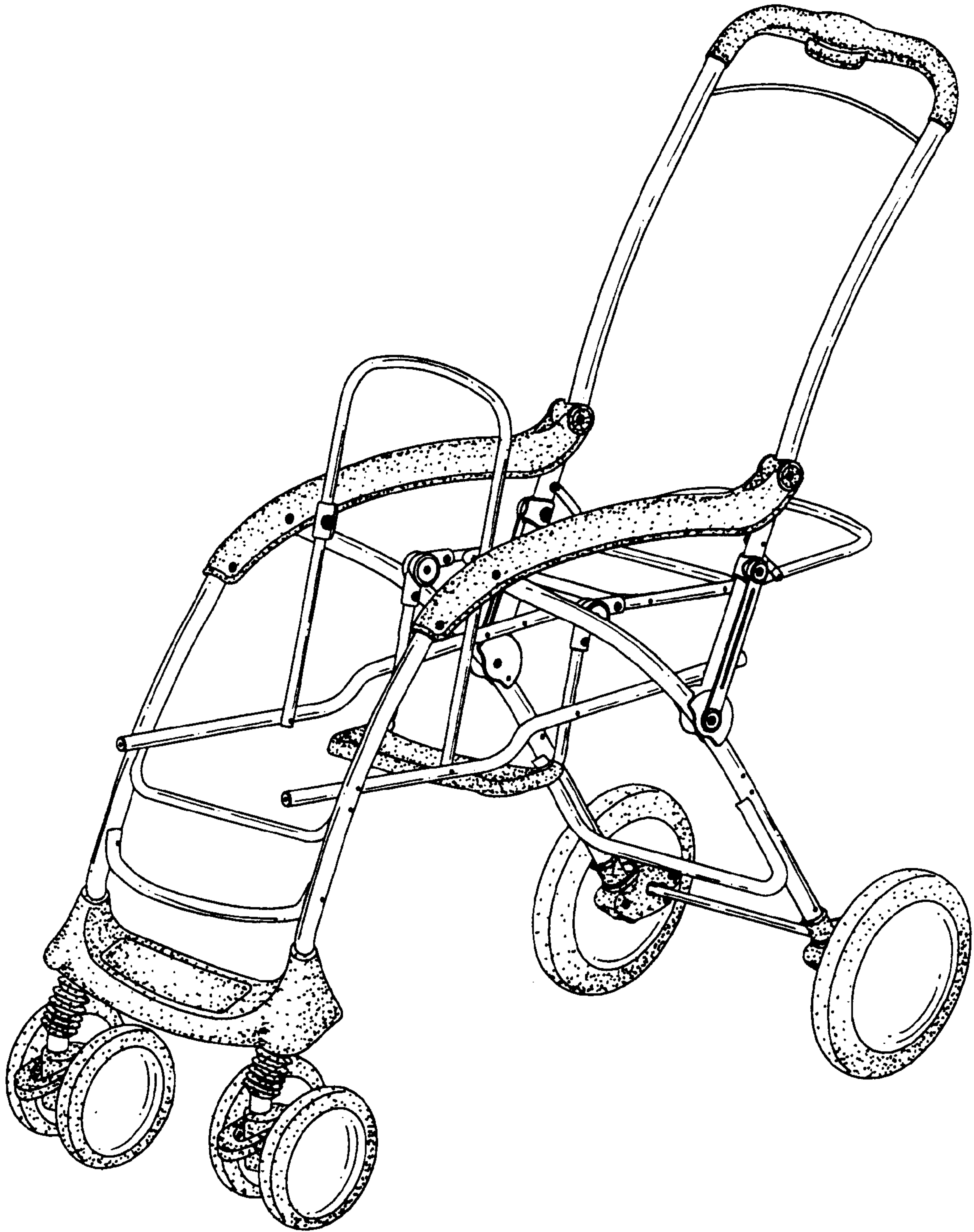


FIG. 1

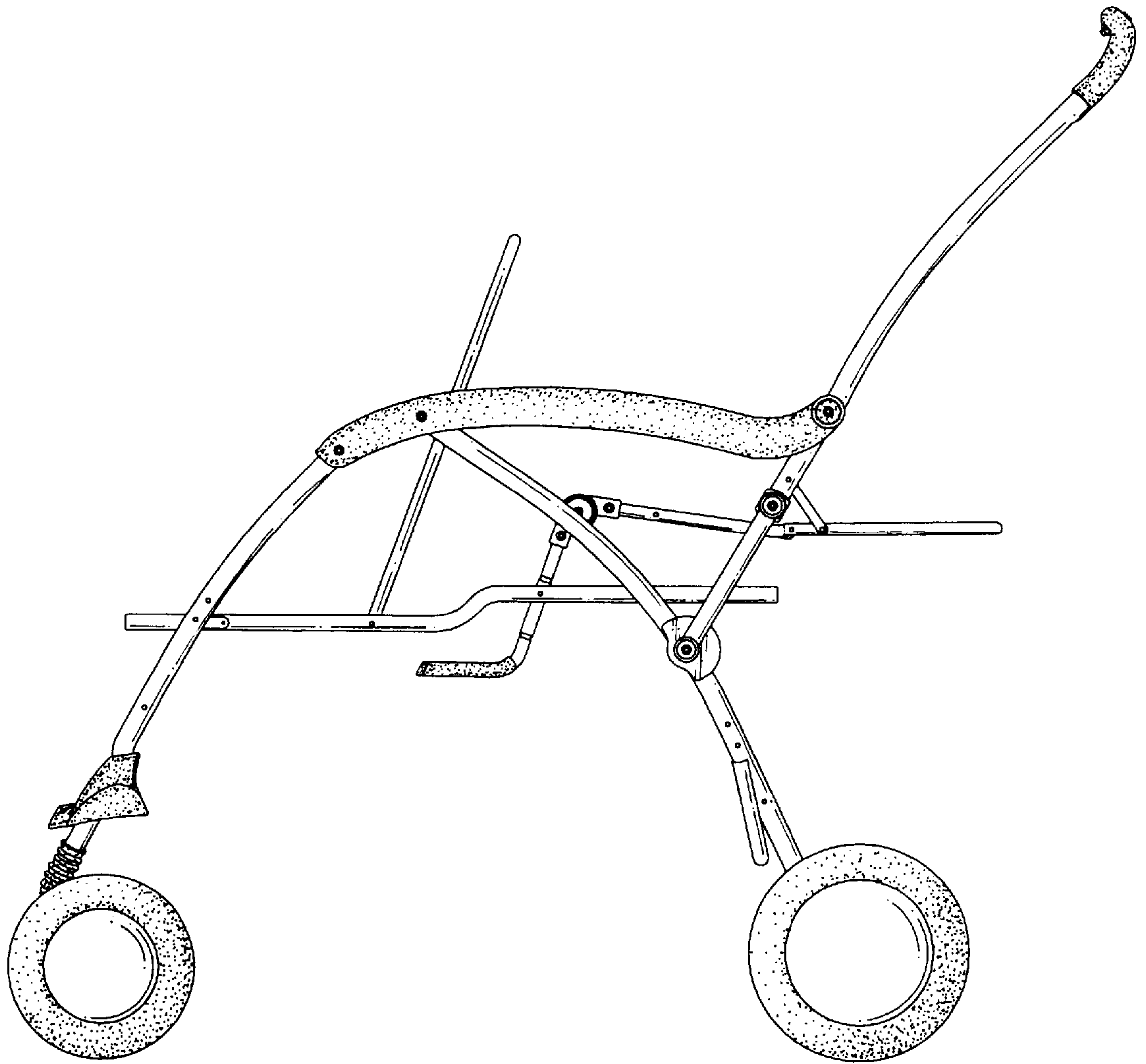


FIG. 2



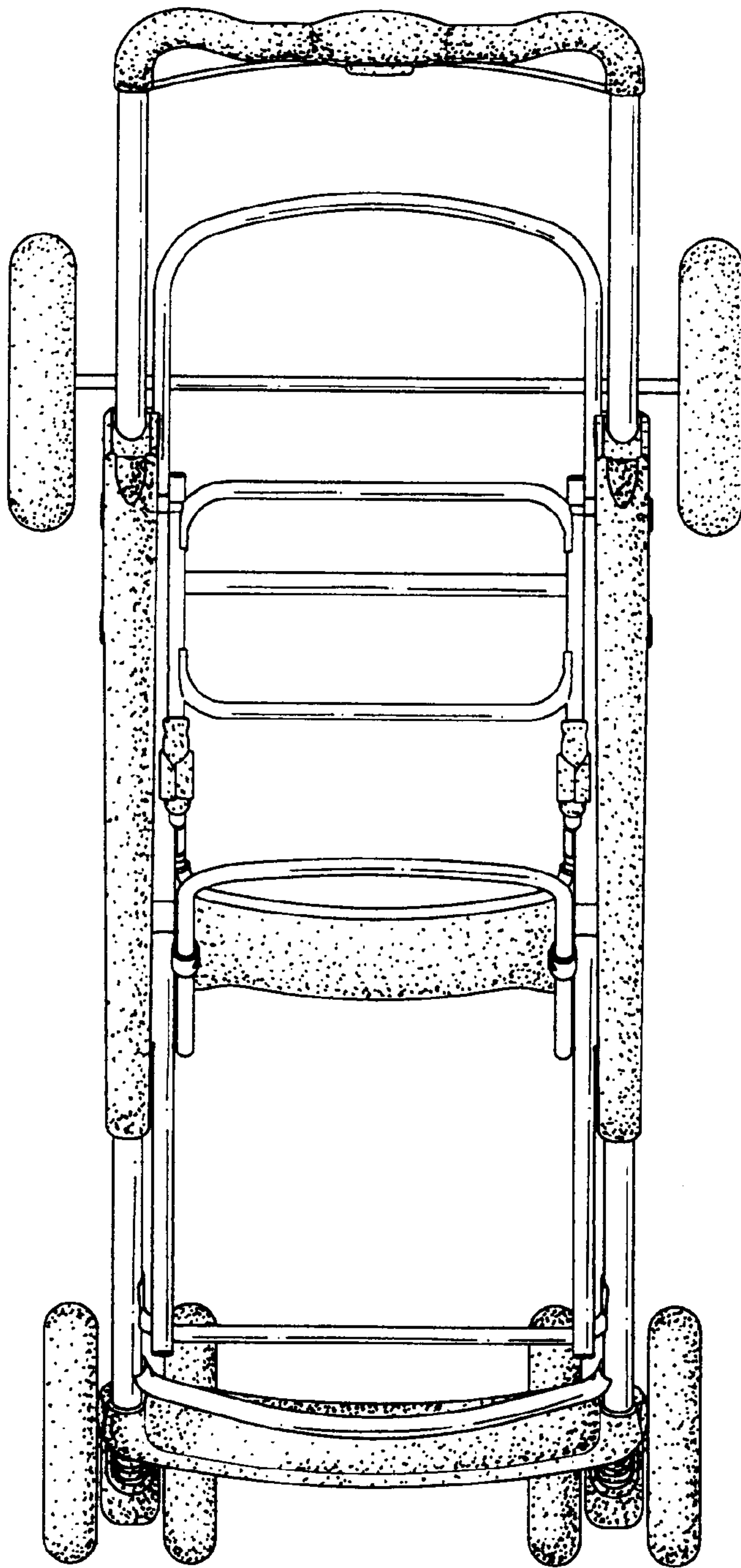


FIG. 3

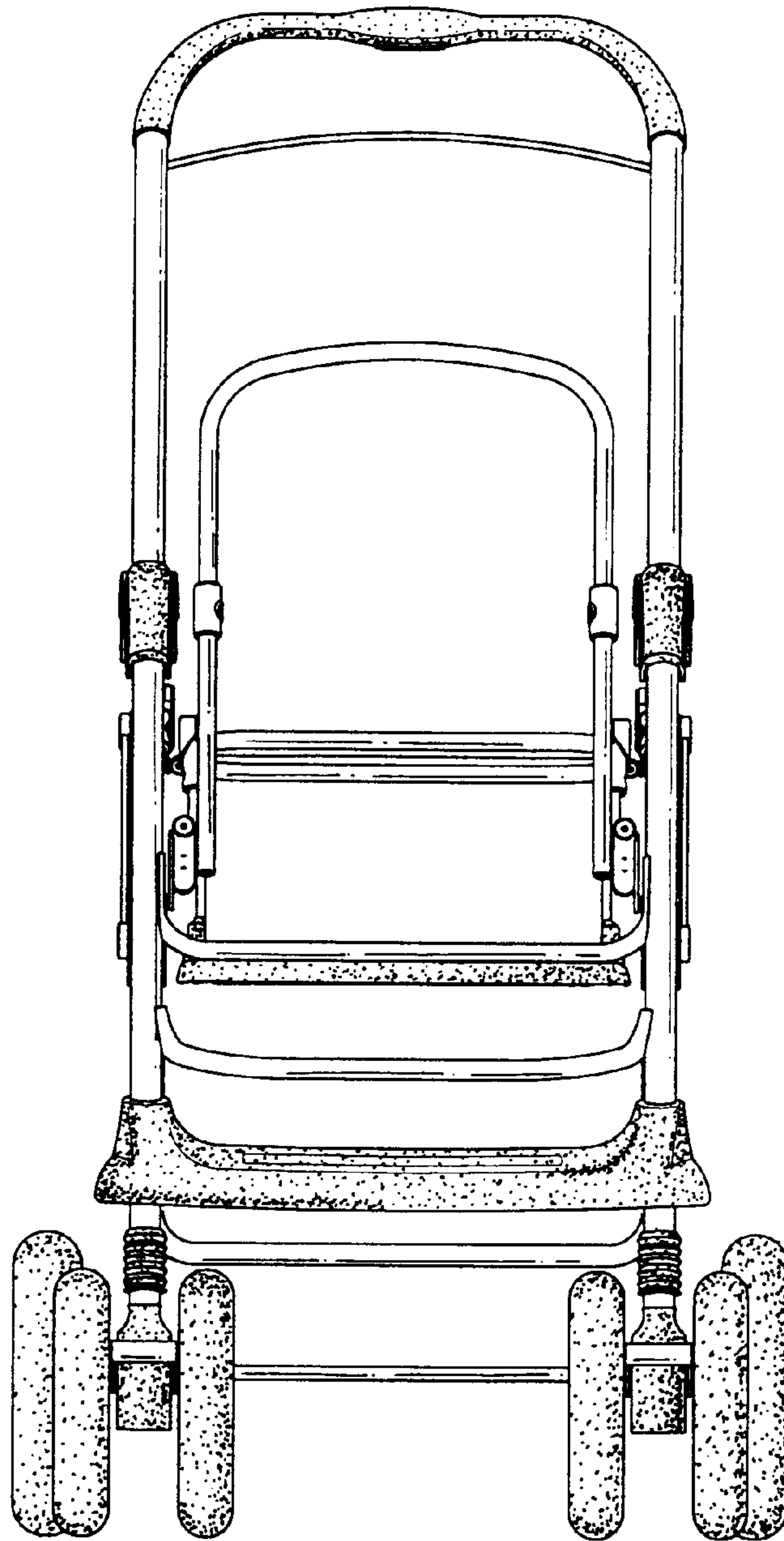


FIG. 4

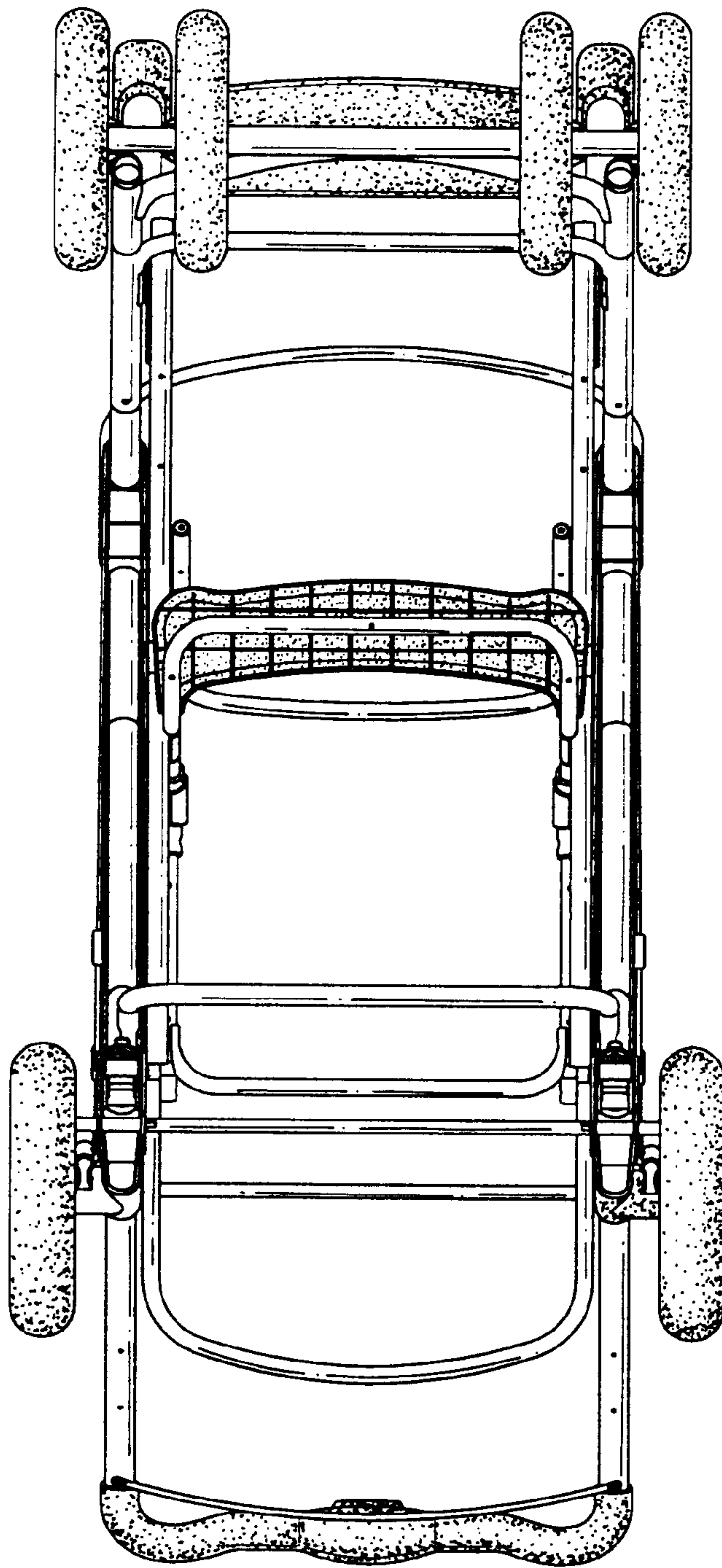


FIG. 5

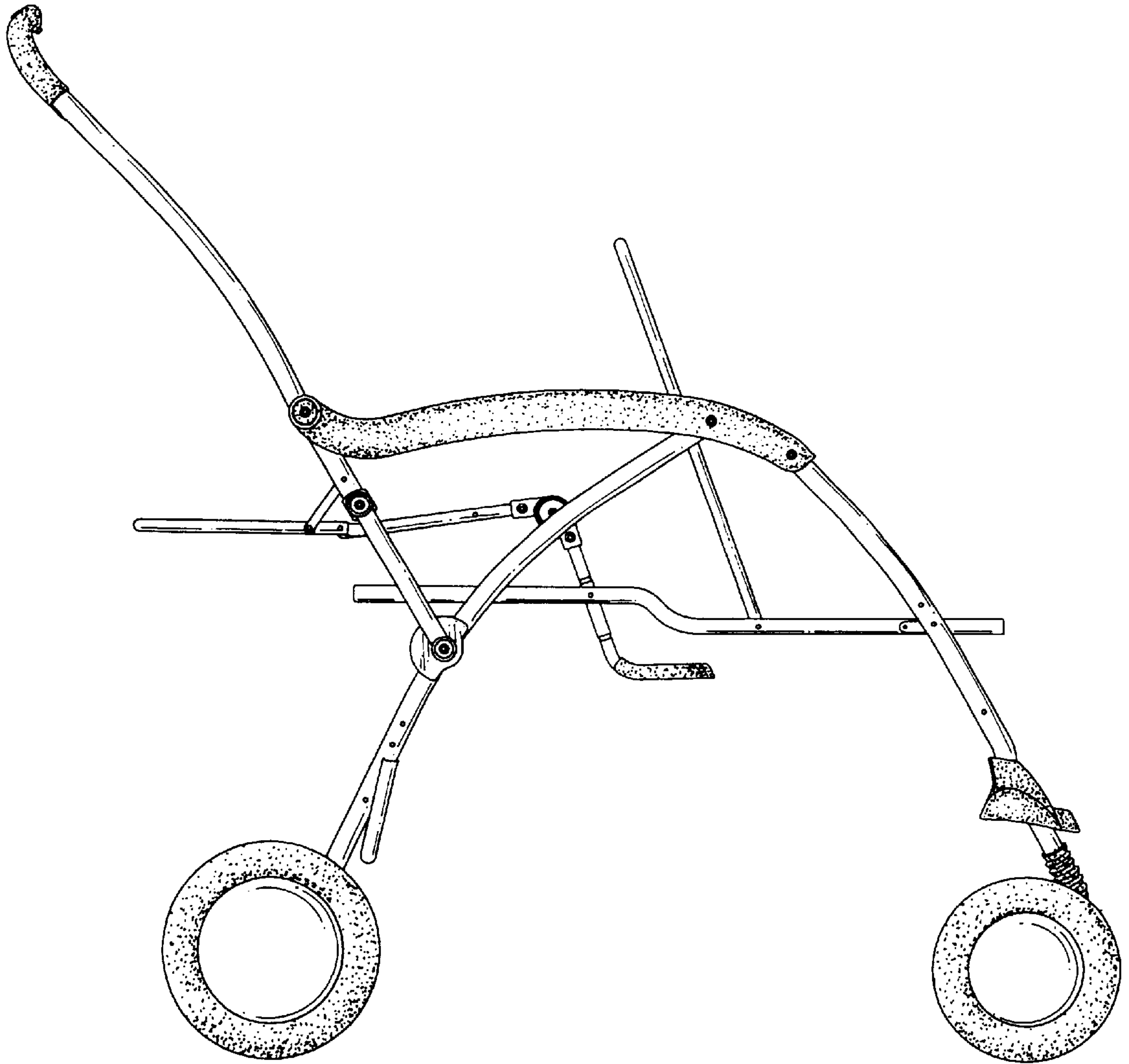


FIG. 6

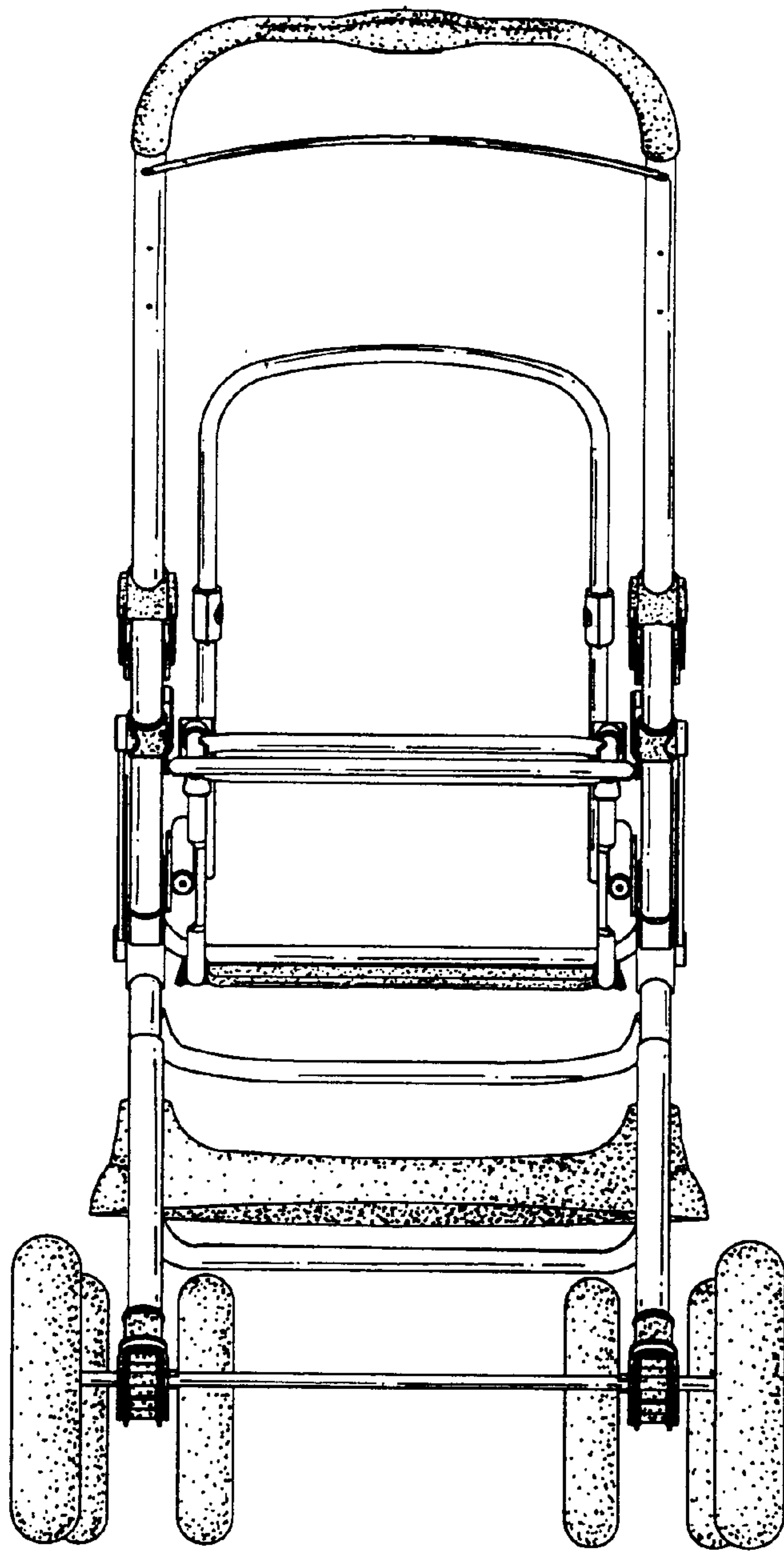


FIG. 7



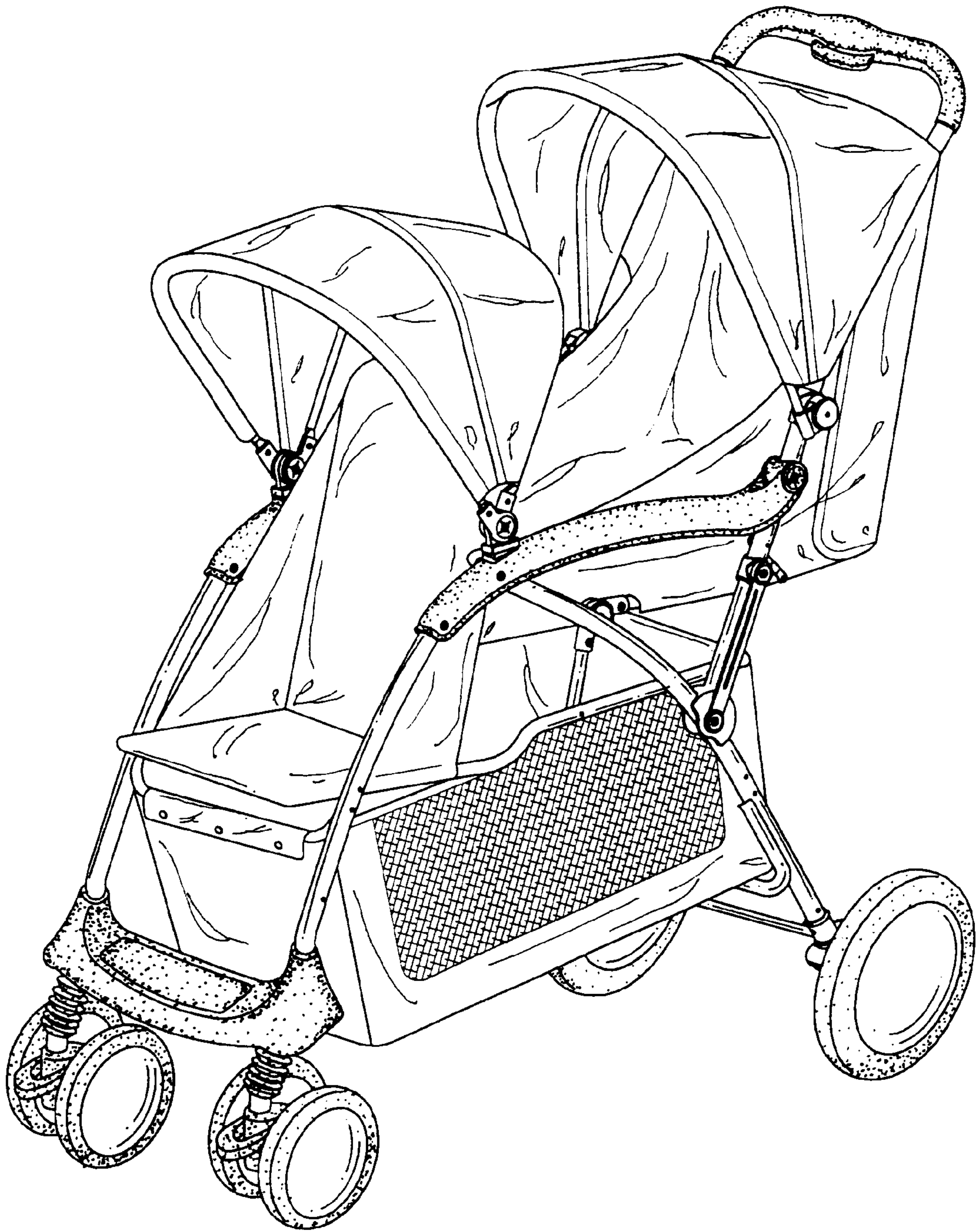


FIG. 8