



US00D450628B1

(12) **United States Design Patent**  
**Musso, Jr. et al.**

(10) **Patent No.:** **US D450,628 S**

(45) **Date of Patent:** **\*\* Nov. 20, 2001**

(54) **DUMP TRUCK BODY PANEL**

(75) **Inventors:** **Charles S. Musso, Jr.**, Hammondsport;  
**Tom Musso**, Bath, both of NY (US)

(73) **Assignee:** **Air-Flo Manufacturing Company,**  
**Inc.**, Prattsburg, NY (US)

(\*\*) **Term:** **14 Years**

(21) **Appl. No.:** **29/141,524**

(22) **Filed:** **May 8, 2001**

(51) **LOC (7) Cl.** ..... **12-08**

(52) **U.S. Cl.** ..... **D12/15**

(58) **Field of Search** ..... D12/15, 1, 93,  
D12/98, 196; 298/11, 23 C, 23 M, 30;  
296/184, 291, 56, 57.1; 414/477, 476, 480

(56) **References Cited**

**U.S. PATENT DOCUMENTS**

- D. 104,441 5/1937 Cohen .
- D. 189,025 \* 10/1960 Acker ..... D12/15
- D. 204,604 \* 5/1966 Fryer ..... D12/15
- D. 265,982 \* 8/1982 Miller ..... D12/15
- D. 301,572 6/1989 McKinnon .
- D. 309,816 8/1990 Morrow, Sr. .
- D. 335,267 5/1993 Upshaw .
- D. 349,872 8/1994 Chaseling et al. .
- D. 368,887 4/1996 Upshaw .
- D. 386,128 11/1997 Gerding et al. .
- D. 409,524 \* 5/1999 McKinney ..... D12/93
- D. 412,682 8/1999 Gerding et al. .
- D. 414,138 \* 9/1999 McKinney ..... D12/15 X
- D. 425,825 \* 5/2000 Shambeau et al. .... D12/15 X

- D. 429,662 8/2000 Smith et al. .
- D. 429,676 8/2000 Smith et al. .
- D. 431,498 10/2000 Smith et al. .
- 3,947,065 3/1976 Geiger .
- 4,266,731 5/1981 Musso, Jr. .
- 4,288,119 9/1981 Geiger .
- 4,886,214 12/1989 Musso, Jr. et al. .
- 5,310,119 5/1994 Musso, Jr. et al. .
- 5,397,172 3/1995 Musso, Jr. et al. .
- 5,400,974 3/1995 Musso, Jr. et al. .
- 5,437,499 8/1995 Musso .
- 5,618,002 4/1997 Cervelli et al. .
- 5,927,617 7/1999 Musso, Jr. et al. .

\* cited by examiner

*Primary Examiner*—Stacia Cadmus

(74) *Attorney, Agent, or Firm*—Nixon Peabody LLP

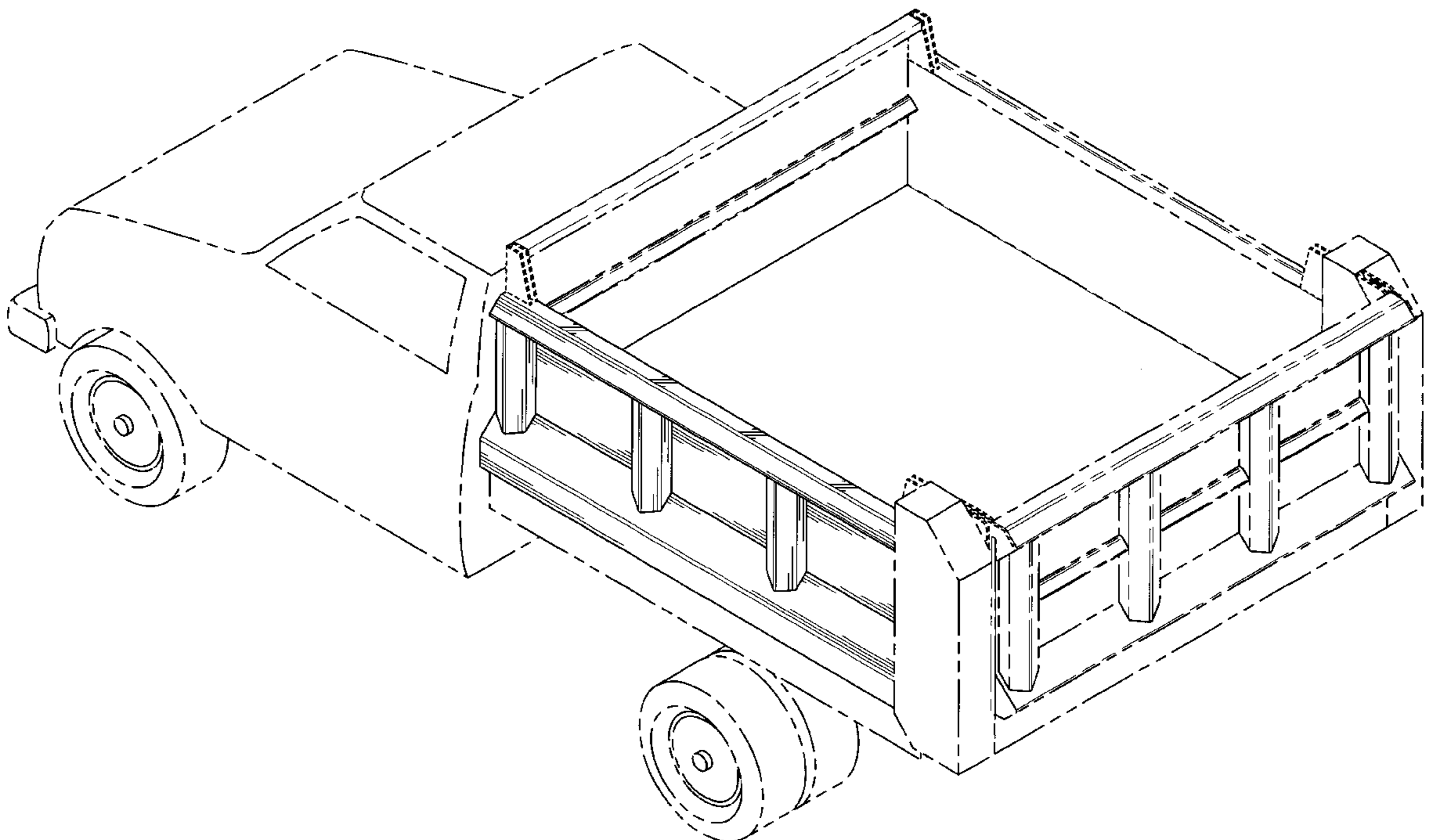
(57) **CLAIM**

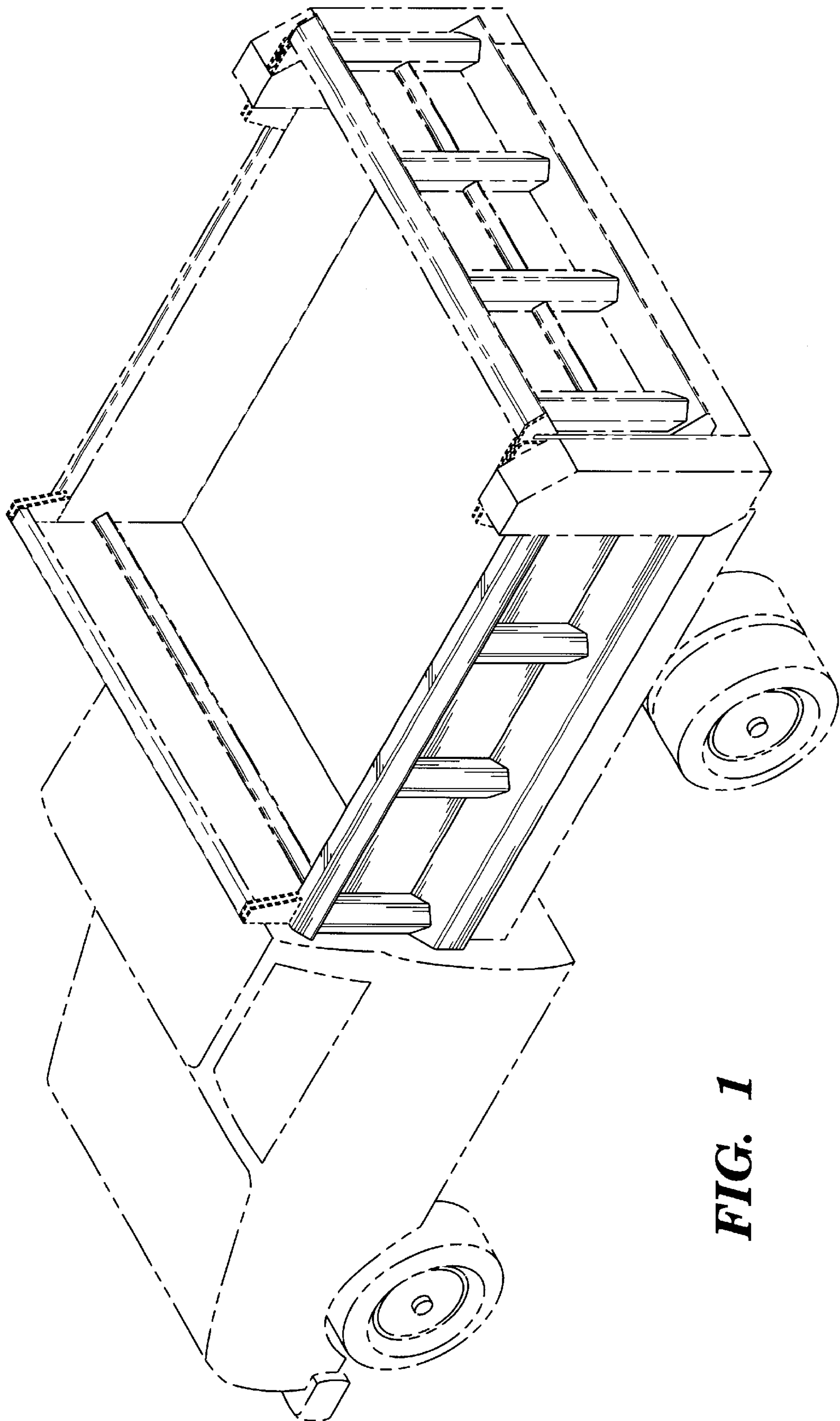
The ornamental design for a dump truck body panel, as shown and described.

**DESCRIPTION**

FIG. 1 is a perspective view of a dump truck body panel of our design;  
 FIG. 2 is a top view of the dump truck body panel;  
 FIG. 3 is a right side view of the dump truck body panel;  
 FIG. 4 is a left side view of the dump truck body panel;  
 FIG. 5 is a back view of the dump truck body panel;  
 FIG. 6 is a front view of the dump truck body panel; and,  
 FIG. 7 is a bottom view of the dump truck body panel.  
 The broken lines shown throughout the drawing views are for illustrative purposes only and form no part of the claimed design.

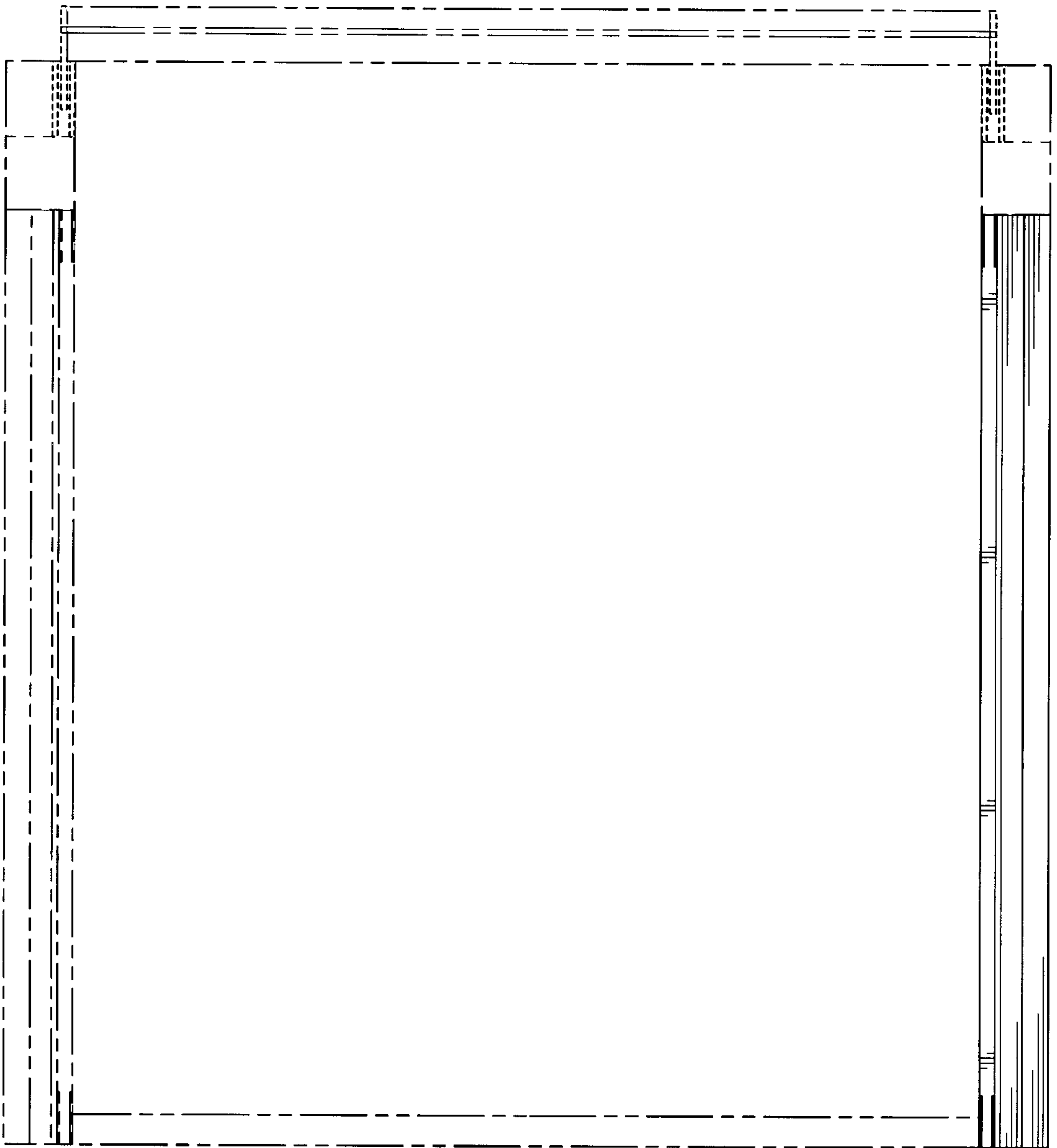
**1 Claim, 6 Drawing Sheets**

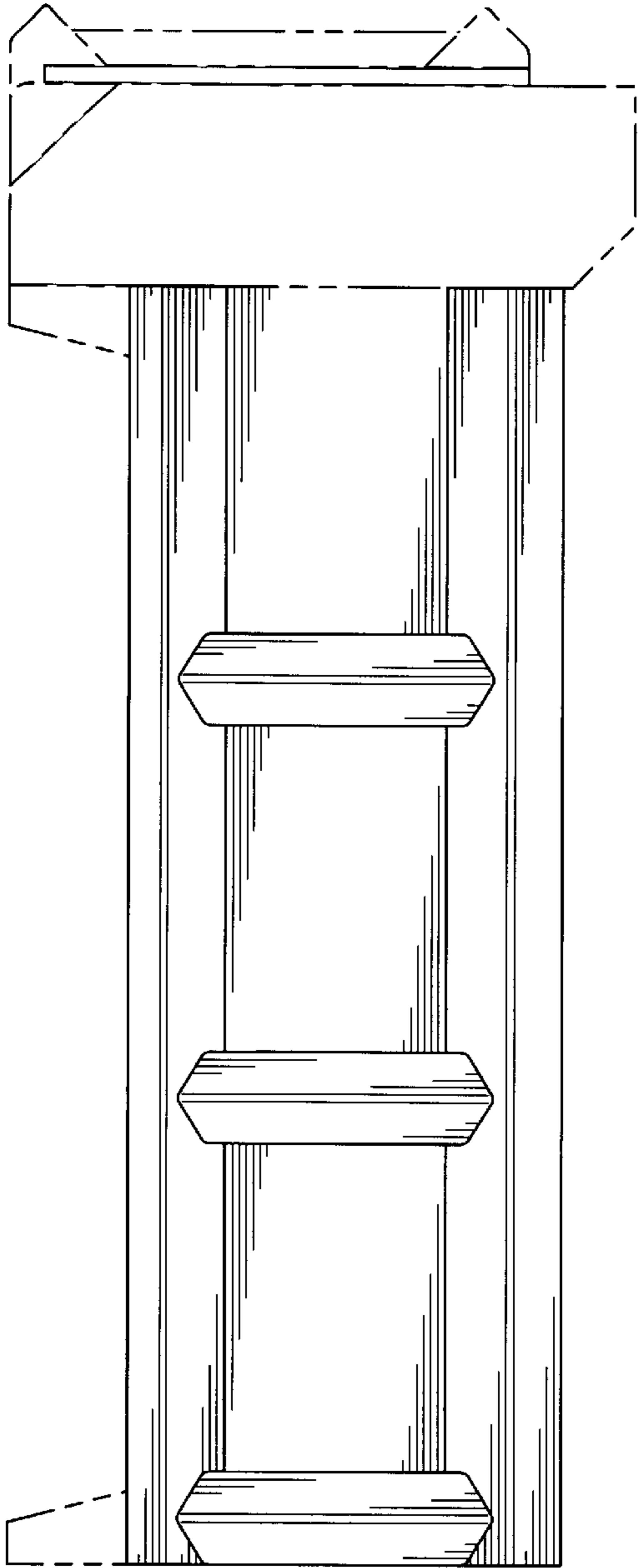




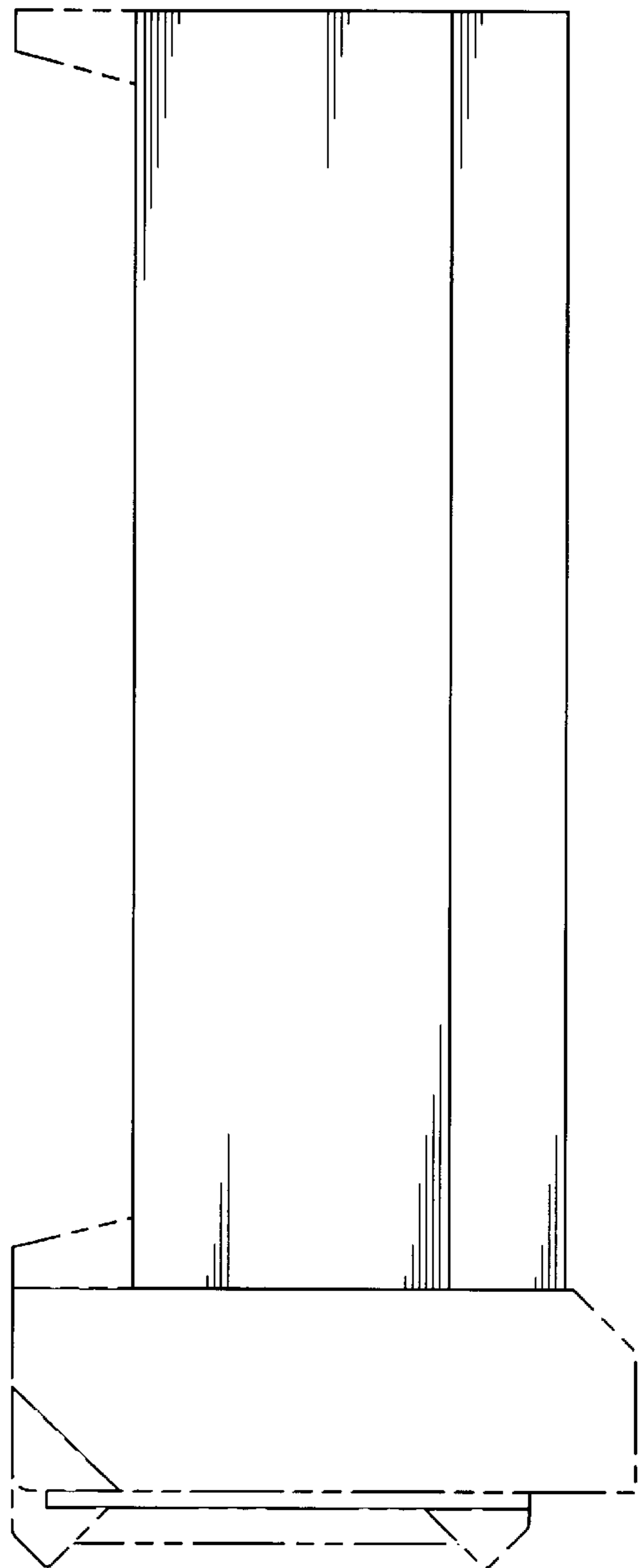
**FIG. 1**

**FIG. 2**

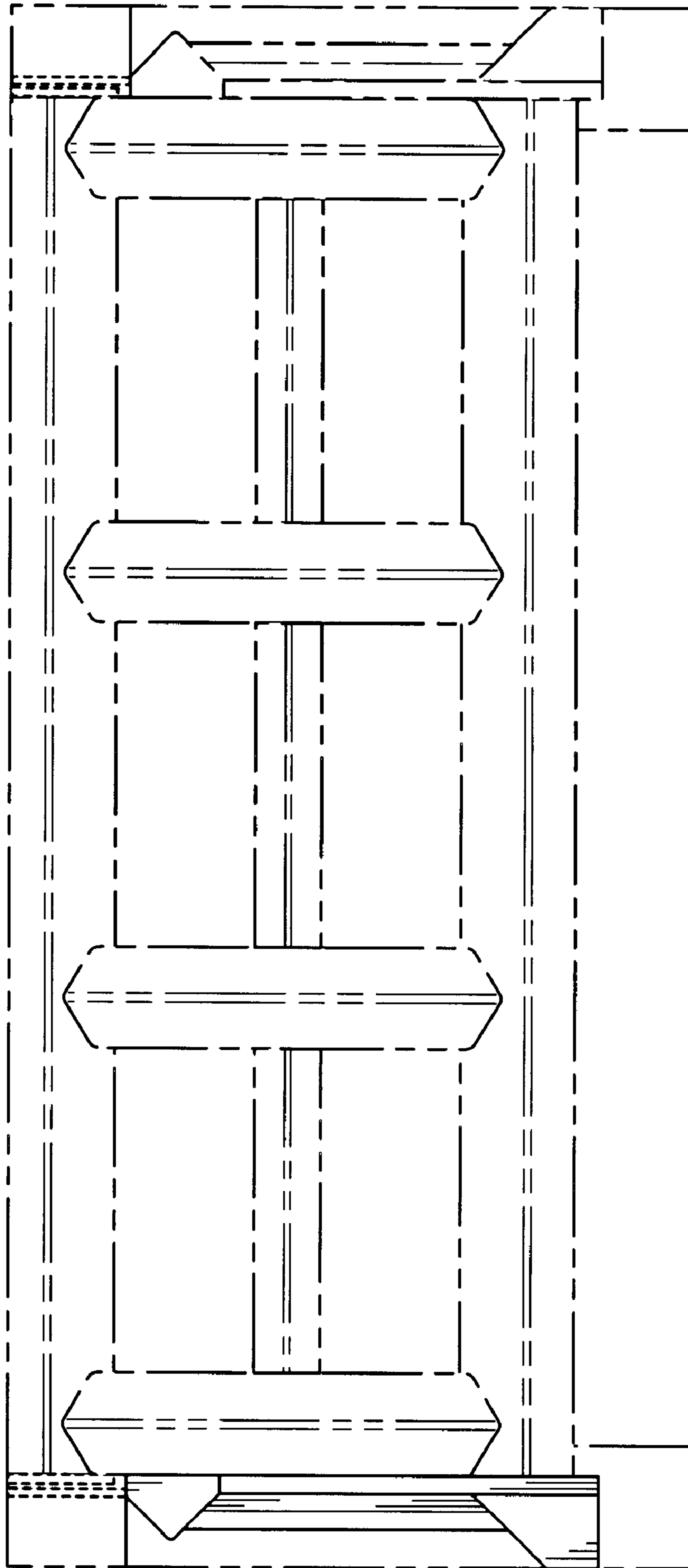




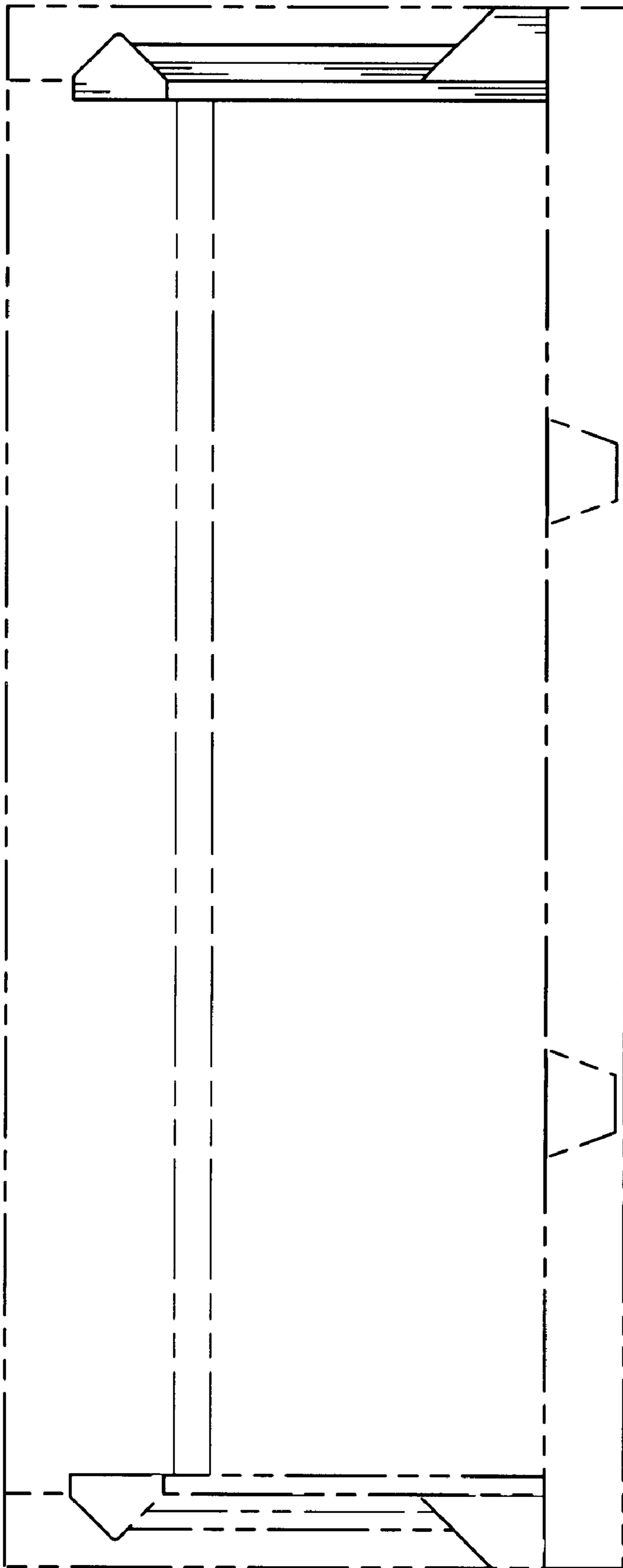
**FIG. 3**



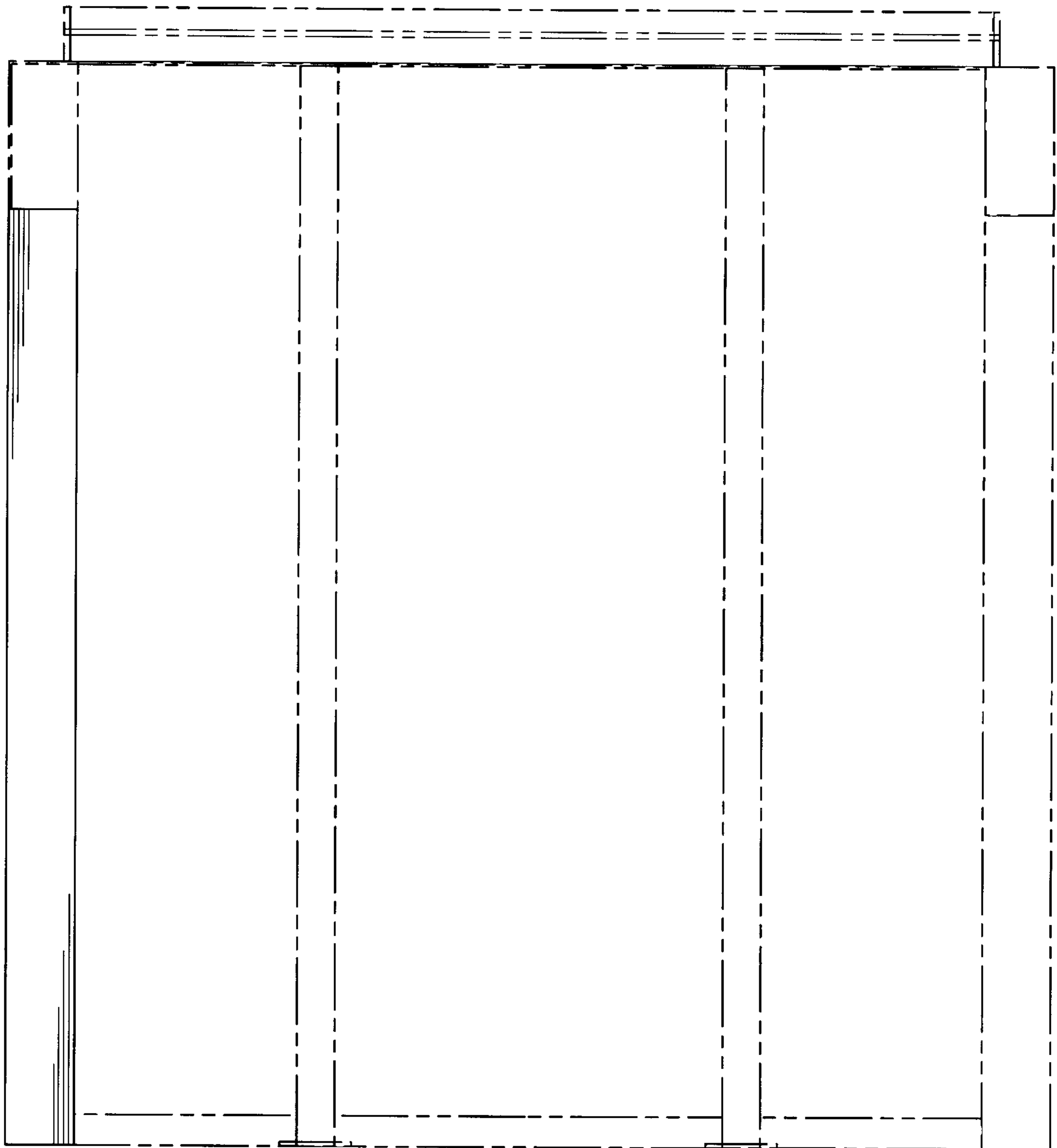
**FIG. 4**



**FIG. 5**



**FIG. 6**



**FIG. 7**