



US00D450627B1

(12) **United States Design Patent**
Musso, Jr. et al.

(10) **Patent No.:** **US D450,627 S**

(45) **Date of Patent:** **** Nov. 20, 2001**

(54) **DUMP TRUCK BODY**

5,400,974 3/1995 Musso, Jr. et al. .

5,437,499 8/1995 Musso .

(75) Inventors: **Charles S. Musso, Jr.**, Hammondsport;
Tom Musso, Bath, both of NY (US)

5,618,002 4/1997 Cervelli et al. .

5,927,617 7/1999 Musso, Jr. et al. .

(73) Assignee: **Air-Flo Manufacturing Company, Inc.**, Prattsburg, NY (US)

* cited by examiner

Primary Examiner—Stacia Cadmus

(**) Term: **14 Years**

(74) *Attorney, Agent, or Firm*—Nixon Peabody LLP

(21) Appl. No.: **29/141,508**

(57) **CLAIM**

(22) Filed: **May 8, 2001**

The ornamental design for a dump truck body, as shown and described.

(51) **LOC (7) Cl.** **12-08**

DESCRIPTION

(52) **U.S. Cl.** **D12/15; D12/93**

(58) **Field of Search** D12/15, 1, 93,
D12/98, 196; 298/11, 23 C, 23 M, 30;
296/184, 291, 56, 57.1; 414/477, 476, 480

FIG. 1 is a perspective view of a first embodiment of a dump truck body of our design;

FIG. 2 is a top view of the first embodiment of the dump truck body;

FIG. 3 is a right side view of the first embodiment of the dump truck body, the left side being a mirror image thereof;

FIG. 4 is a back view of the first embodiment of the dump truck body;

FIG. 5 is a front view of the first embodiment of the dump truck body;

FIG. 6 is a bottom view of the first embodiment of the dump truck body;

FIG. 7 is a perspective view of a second embodiment of a dump truck body of our design;

FIG. 8 is a top view of the second embodiment of the dump truck body;

FIG. 9 is a right side view of the second embodiment of the dump truck body, the left side being a mirror image thereof;

FIG. 10 is a back view of the second embodiment of the dump truck body;

FIG. 11 is a front view of the second embodiment of the dump truck body; and,

FIG. 12 is a bottom view of the second embodiment of the dump truck body.

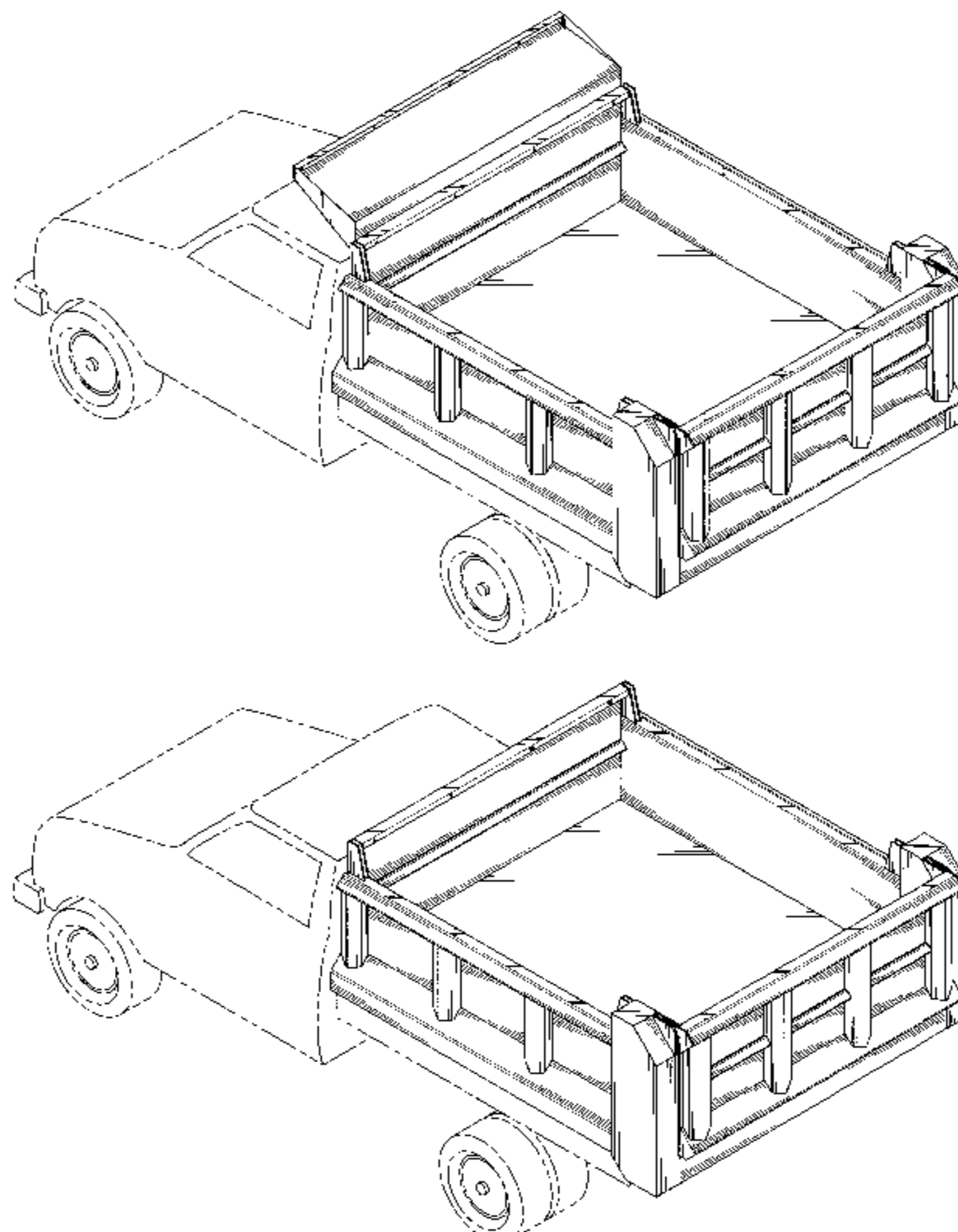
The broken line showing of the environment is for illustrative purposes only and forms no part of the claimed design.

(56) **References Cited**

U.S. PATENT DOCUMENTS

| | | | |
|------------|-----------|----------------------|----------|
| D. 104,441 | 5/1937 | Cohen . | |
| D. 189,025 | * 10/1960 | Acker | D12/15 |
| D. 204,604 | * 5/1966 | Fryer | D12/15 |
| D. 265,982 | * 8/1982 | Miller | D12/15 |
| D. 301,572 | 6/1989 | McKinnon . | |
| D. 309,816 | 8/1990 | Morrow, Sr. . | |
| D. 335,267 | 5/1993 | Upshaw . | |
| D. 349,872 | 8/1994 | Chaseling et al. . | |
| D. 368,887 | 4/1996 | Upshaw . | |
| D. 386,128 | 11/1997 | Gerding et al. . | |
| D. 409,524 | * 5/1999 | McKinney | D12/93 |
| D. 412,682 | 8/1999 | Gerding et al. . | |
| D. 414,138 | * 9/1999 | McKinney | D12/15 X |
| D. 425,825 | * 5/2000 | Shambeau et al. | D12/15 X |
| D. 429,662 | 8/2000 | Smith et al. . | |
| D. 429,676 | 8/2000 | Smith et al. . | |
| D. 431,498 | 10/2000 | Smith et al. . | |
| 3,947,065 | 3/1976 | Geiger . | |
| 4,266,731 | 5/1981 | Musso, Jr. . | |
| 4,288,119 | 9/1981 | Geiger . | |
| 4,886,214 | 12/1989 | Musso, Jr. et al. . | |
| 5,310,119 | 5/1994 | Musso, Jr. et al. . | |
| 5,397,172 | 3/1995 | Musso, Jr. et al. . | |

1 Claim, 12 Drawing Sheets



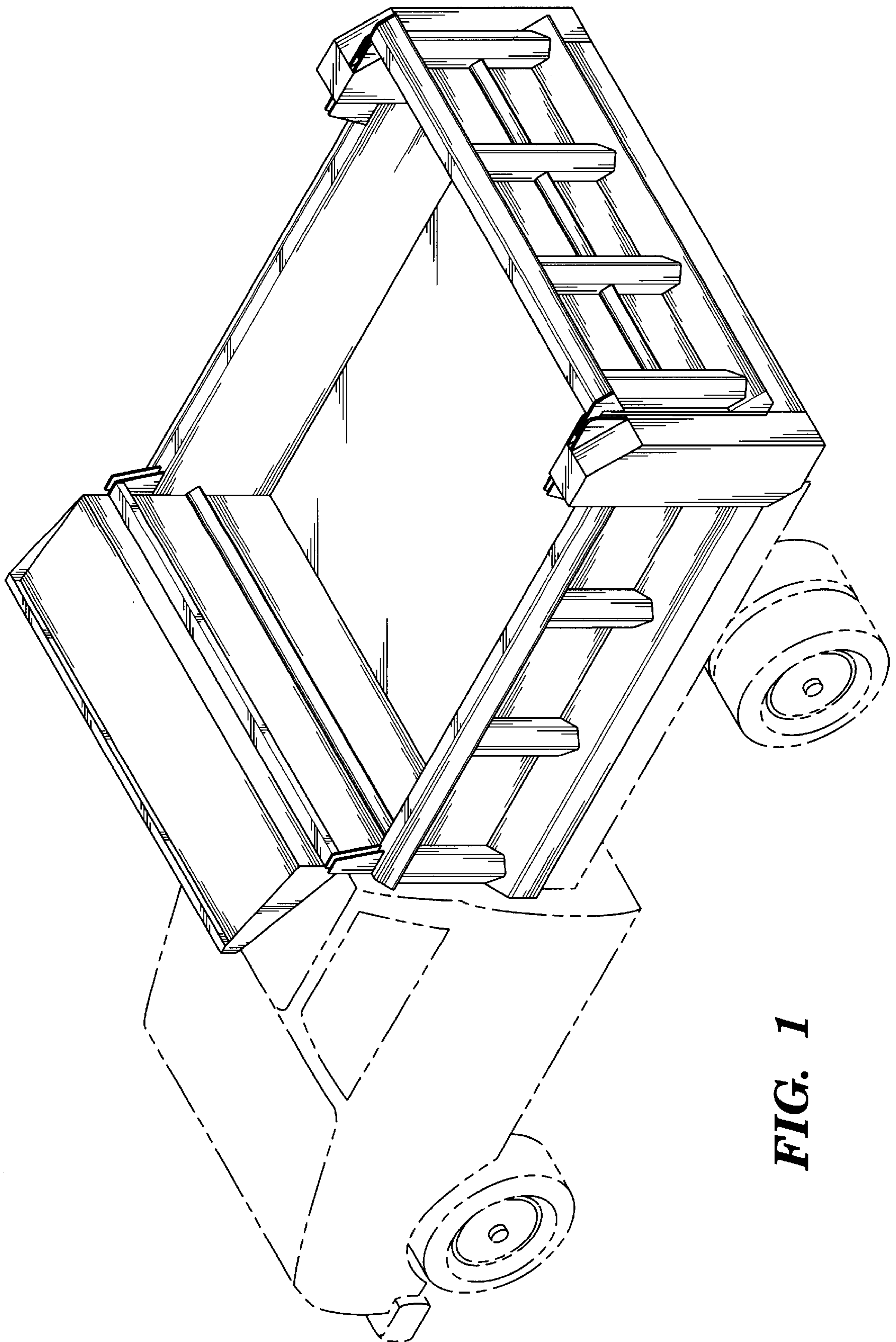


FIG. 1

FIG. 2



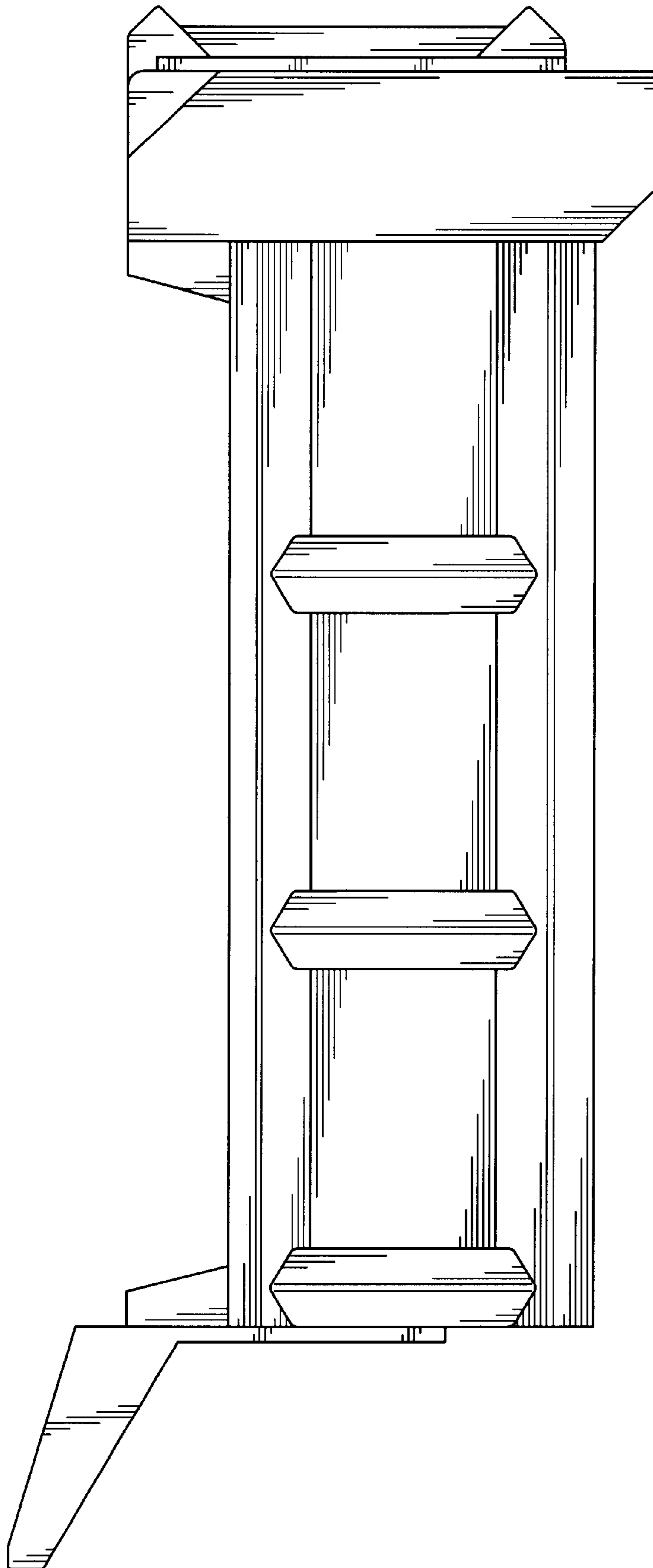


FIG. 3

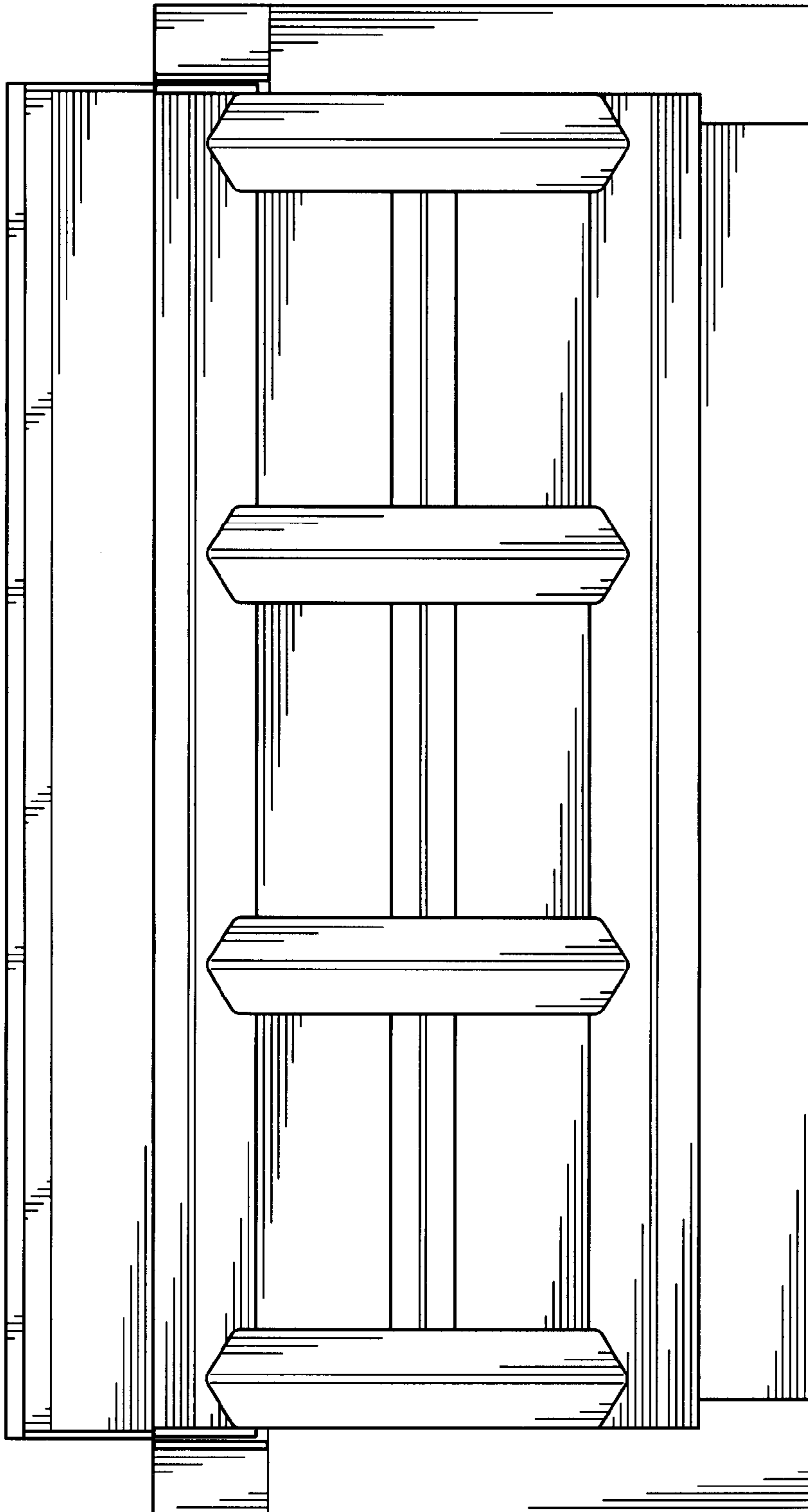


FIG. 4

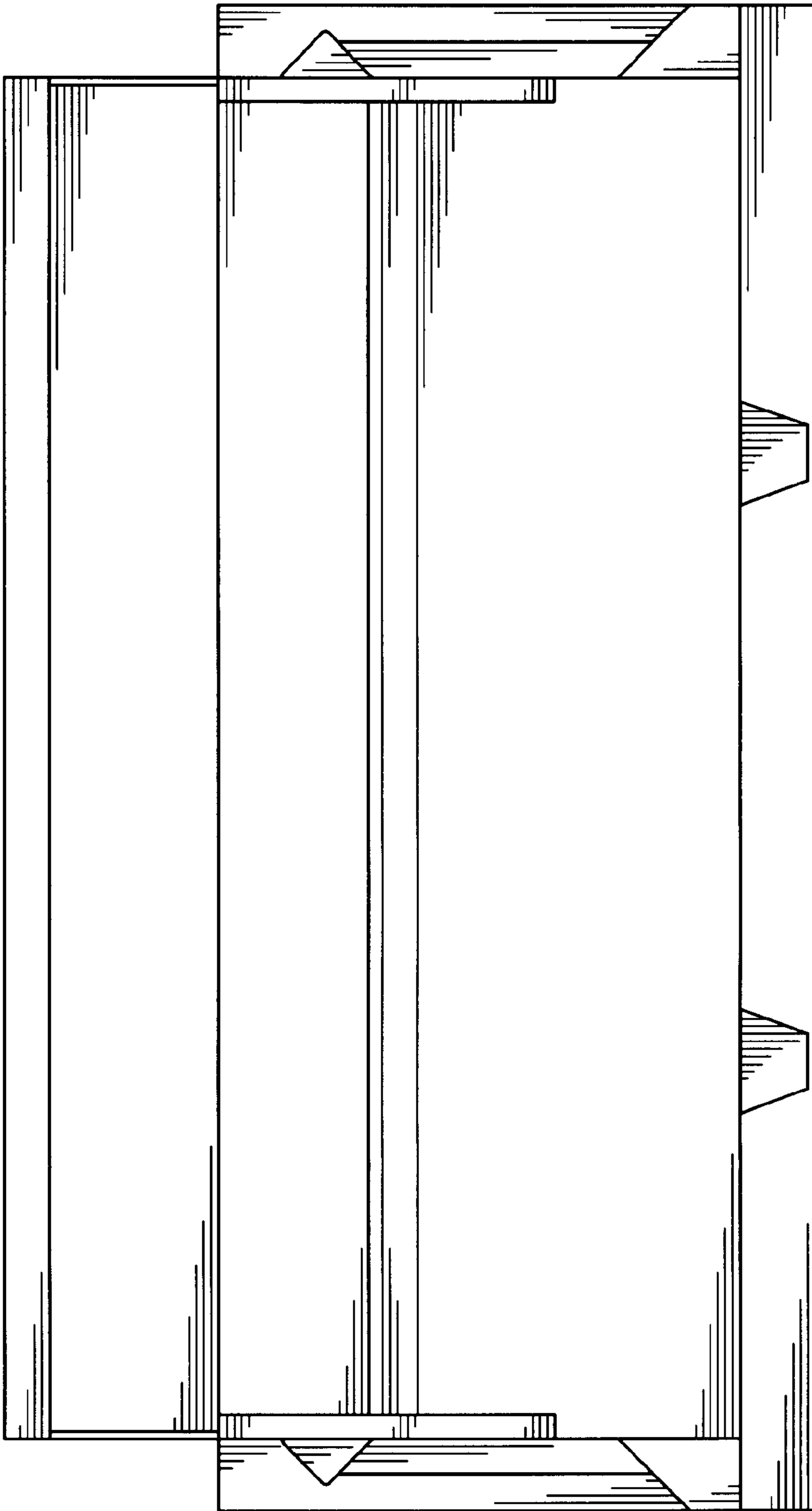
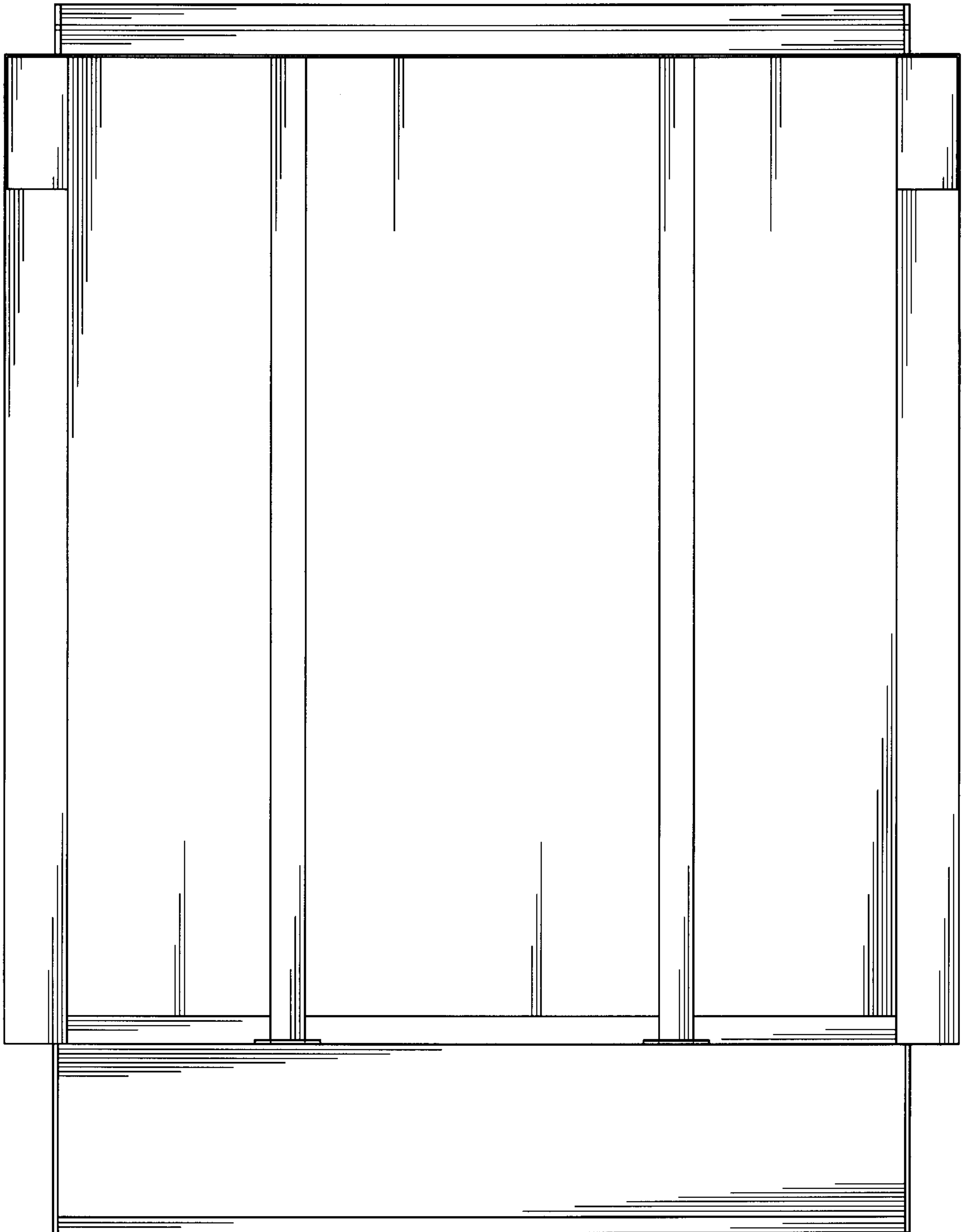


FIG. 5

FIG. 6



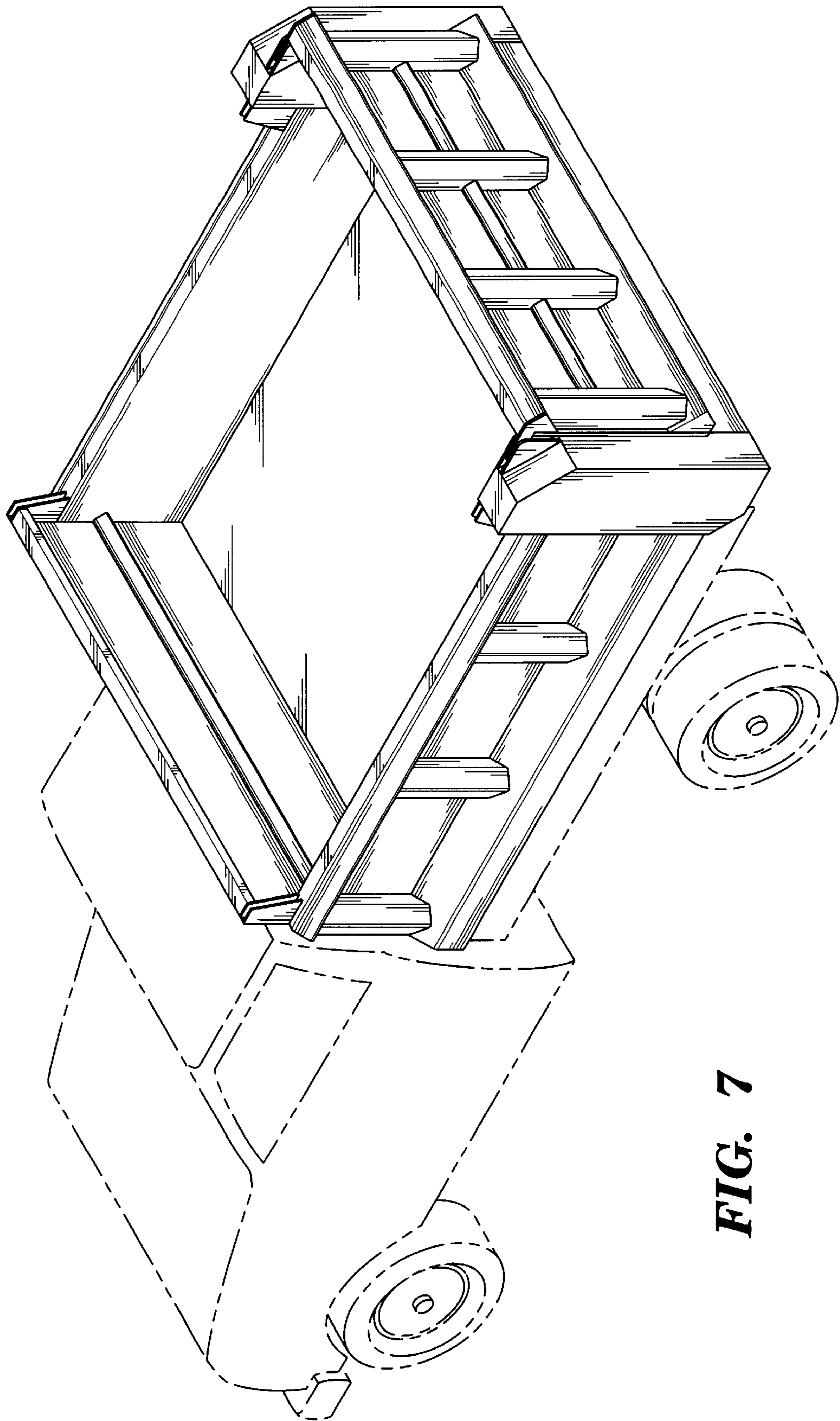
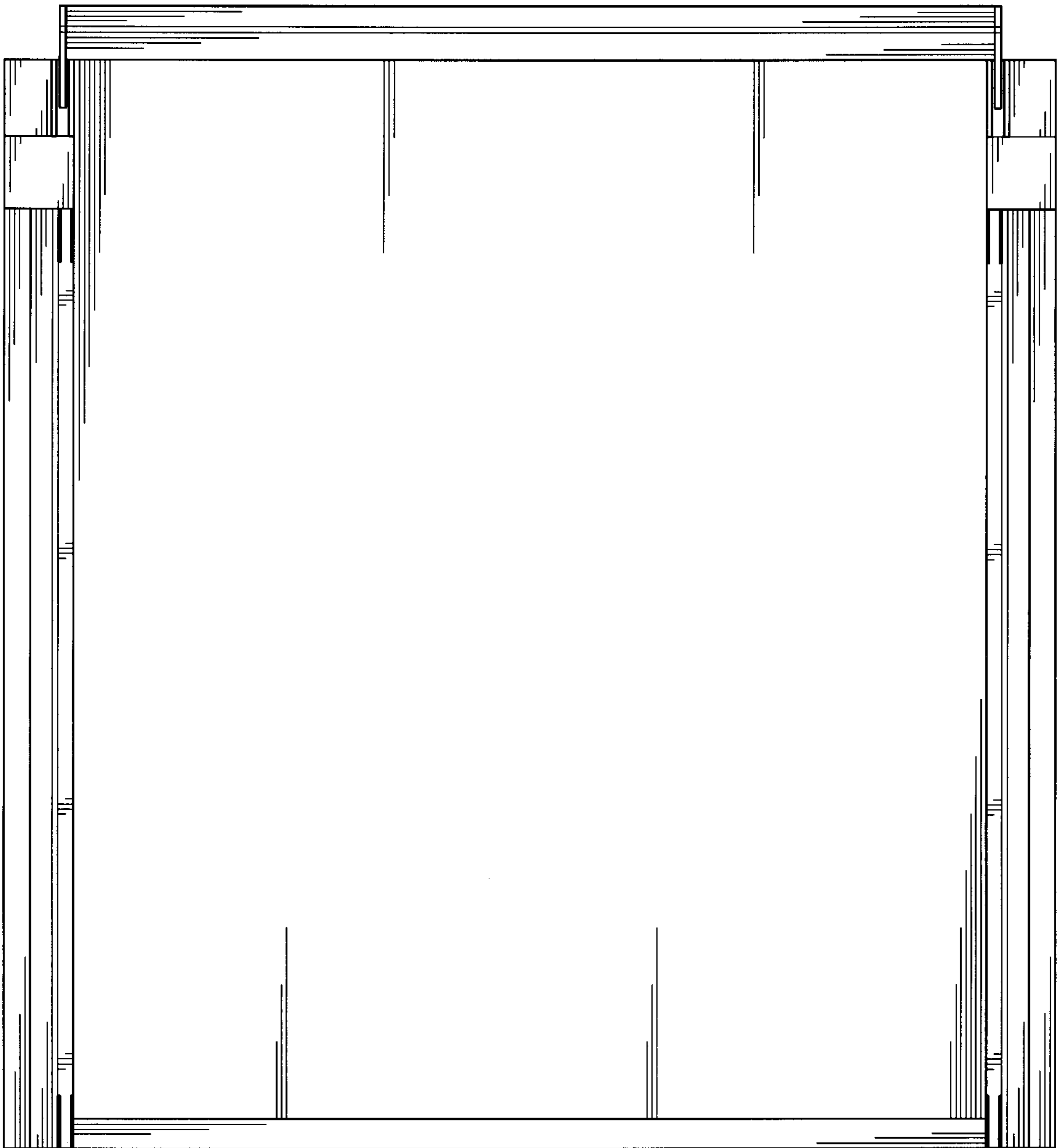


FIG. 7

FIG. 8



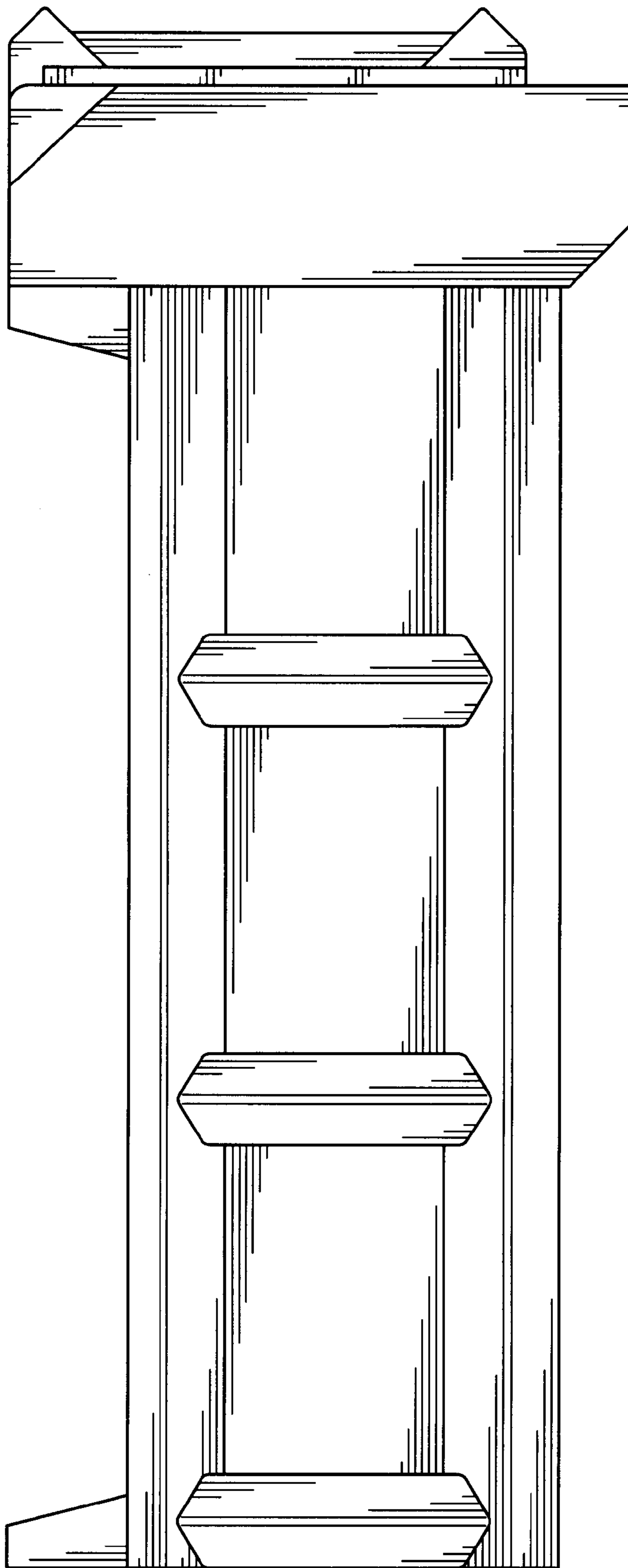


FIG. 9

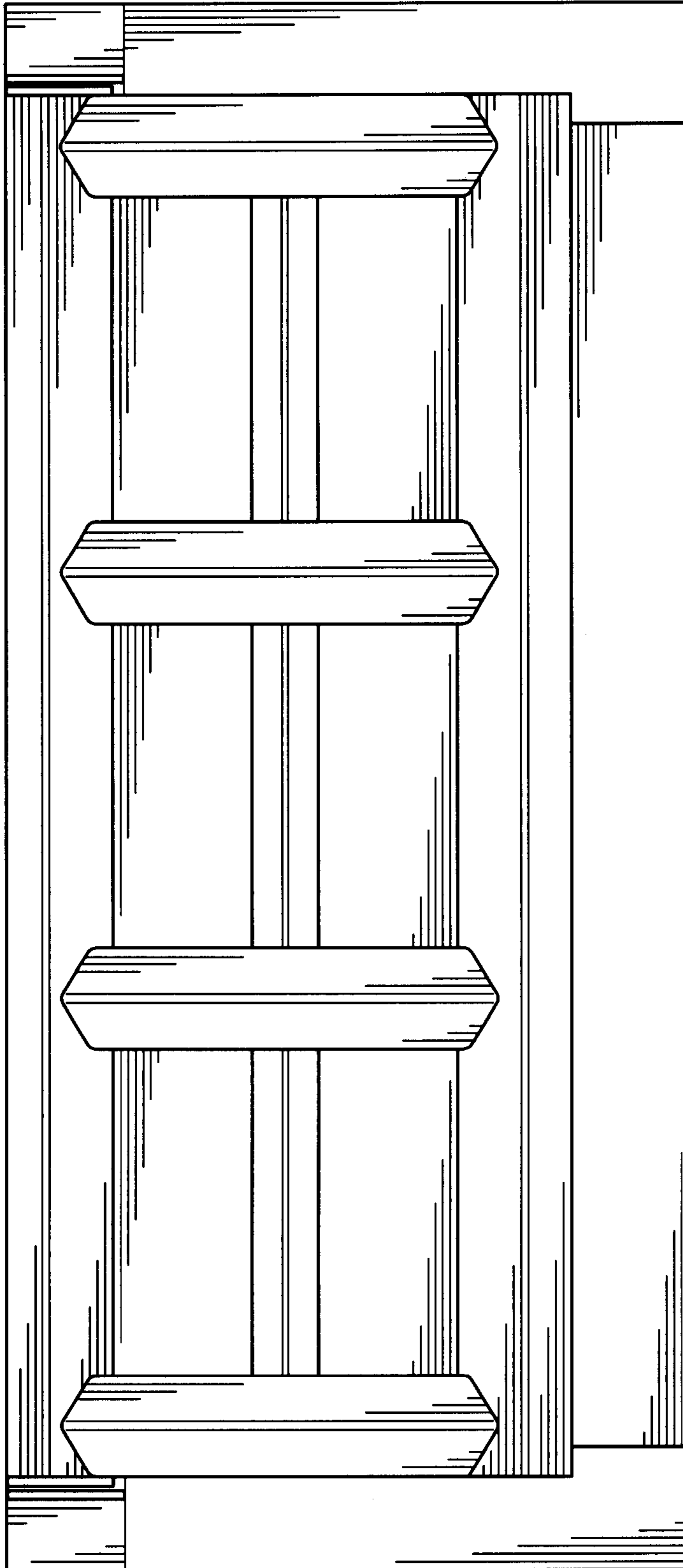


FIG. 10

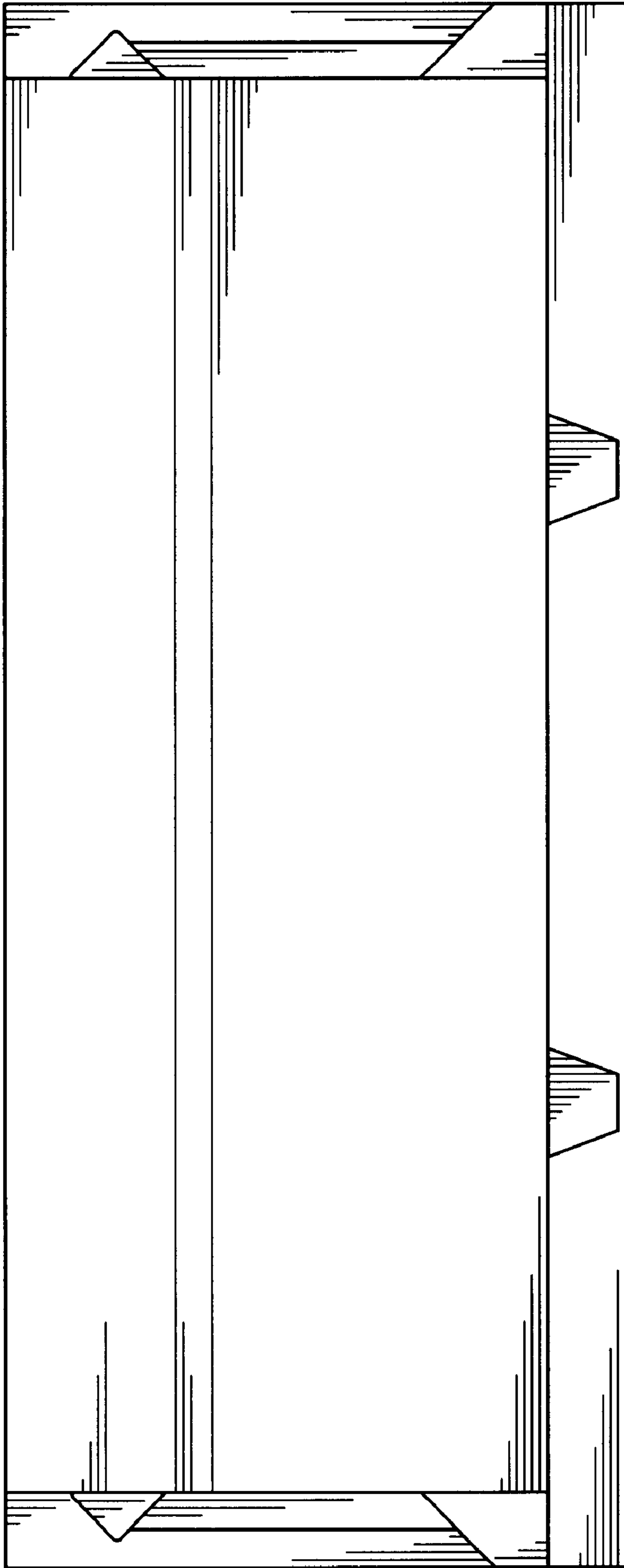


FIG. 11

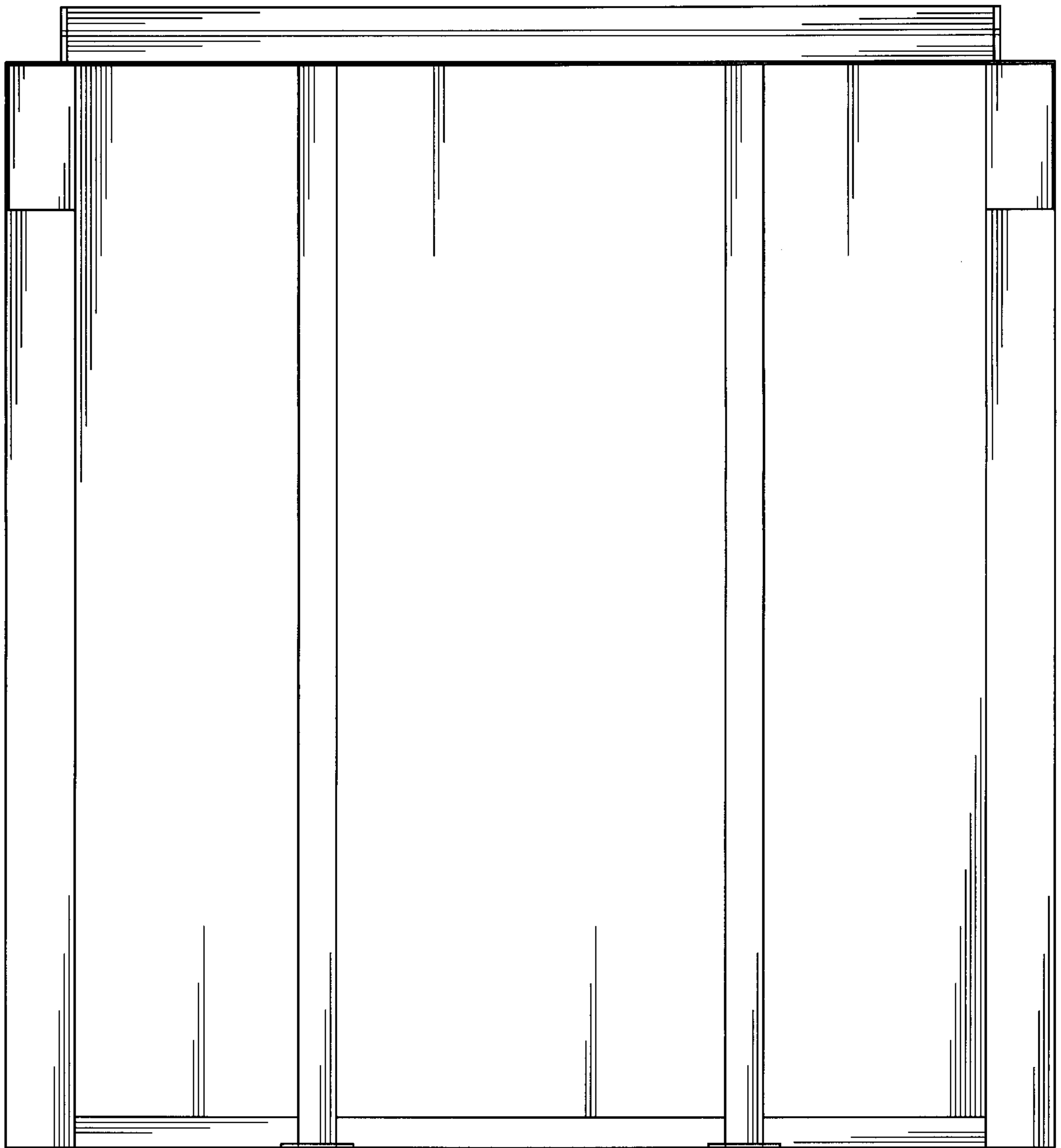


FIG. 12