



US00D450625B1

(12) **United States Design Patent**
Khromachou

(10) **Patent No.:** **US D450,625 S**

(45) **Date of Patent:** **** Nov. 20, 2001**

(54) **MAGNETIC FASTENER**

(74) *Attorney, Agent, or Firm*—Grady K. Bergen

(76) **Inventor:** **Latif Khromachou**, 2512 Sir Tristram
La., Lewisville, TX (US) 75056

(57) **CLAIM**

The ornamental design for a magnetic fastener, as shown and described.

(**) **Term:** **14 Years**

DESCRIPTION

(21) **Appl. No.:** **29/141,271**

FIG. 1 is a top perspective view of a magnetic fastener showing my design;

(22) **Filed:** **May 2, 2001**

FIG. 2 is top perspective view of the magnetic fastener of FIG. 1, shown with the magnetic fastener in separated form;

(51) **LOC (7) Cl.** **02-07**

(52) **U.S. Cl.** **D11/220; D8/382**

FIG. 3 is a bottom perspective view of the magnetic fastener of FIG. 1;

(58) **Field of Search** D11/200, 205–220,
D11/331; D8/349, 382; 292/251.5; 63/29.2;
24/303, 688; 294/65.5; 335/285

FIG. 4 is a bottom perspective view of the magnetic fastener of FIG. 1, shown with the magnetic fastener in separated form;

(56) **References Cited**

U.S. PATENT DOCUMENTS

D. 401,889	12/1998	Wong .	
D. 403,952	1/1999	Podell .	
D. 404,997	2/1999	Podell .	
D. 426,491	6/2000	Chan .	
D. 431,453	10/2000	Chan .	
D. 432,400	10/2000	Chan .	
D. 438,451	* 3/2001	Reiter	D8/382
D. 441,639	* 5/2001	Reiter	D8/382
4,453,294	6/1984	Morita .	
5,722,126	3/1998	Reiter .	

FIG. 5 is front elevational view of the magnetic fastener of FIG. 1;

FIG. 6 is a rear elevational view of the magnetic fastener of FIG. 1;

FIG. 7 is a left side elevational view of the magnetic fastener of FIG. 1;

FIG. 8 is a right side elevational view of the magnetic fastener of FIG. 1;

FIG. 9 is a top plan view of the magnetic fastener of FIG. 1; and,

FIG. 10 is bottom plan view of the magnetic fastener of FIG. 1.

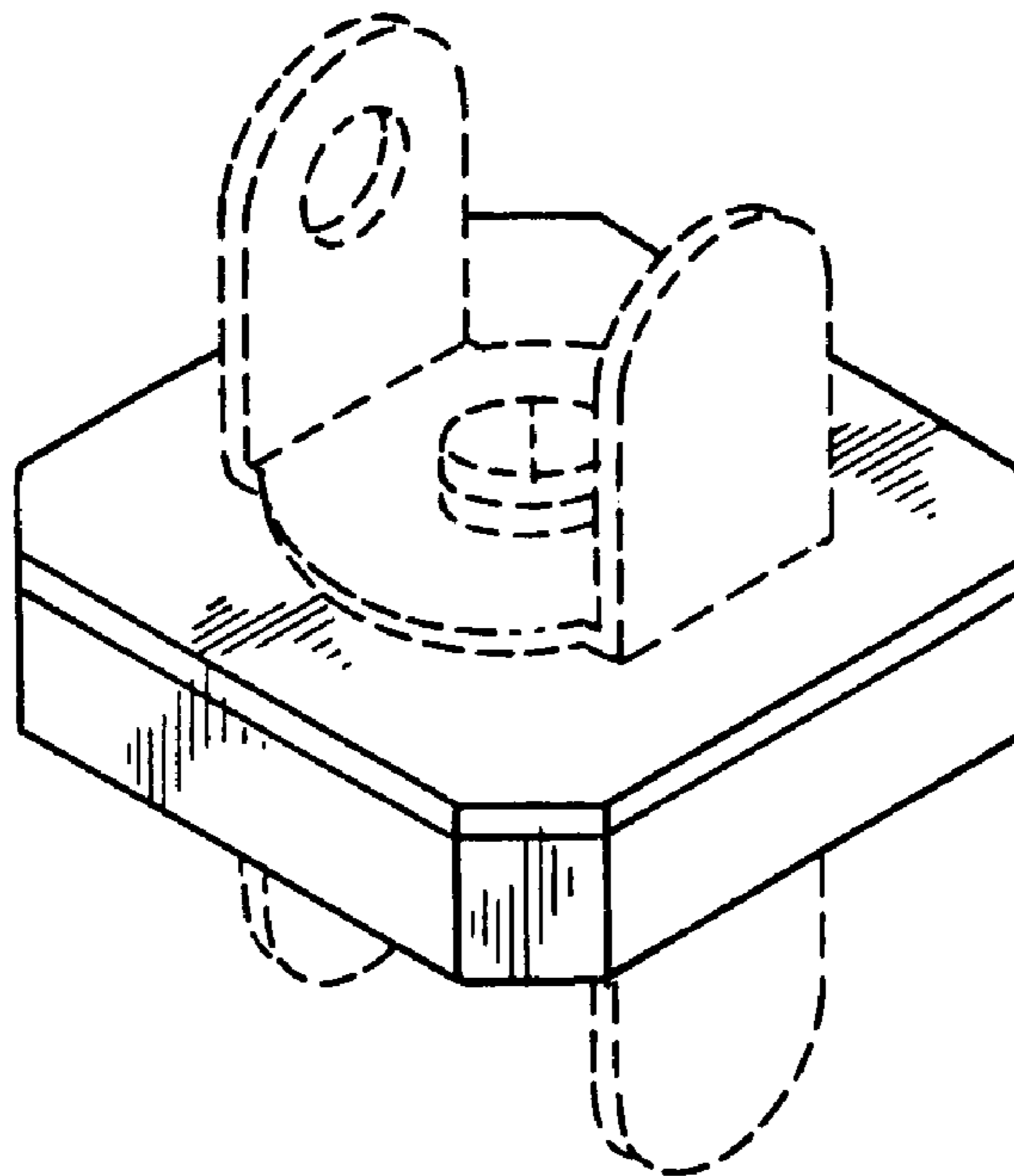
* cited by examiner

The portions shown in broken line do not form part of the claimed design.

Primary Examiner—Alan P. Douglas

Assistant Examiner—Clare E. Heflin

1 Claim, 2 Drawing Sheets



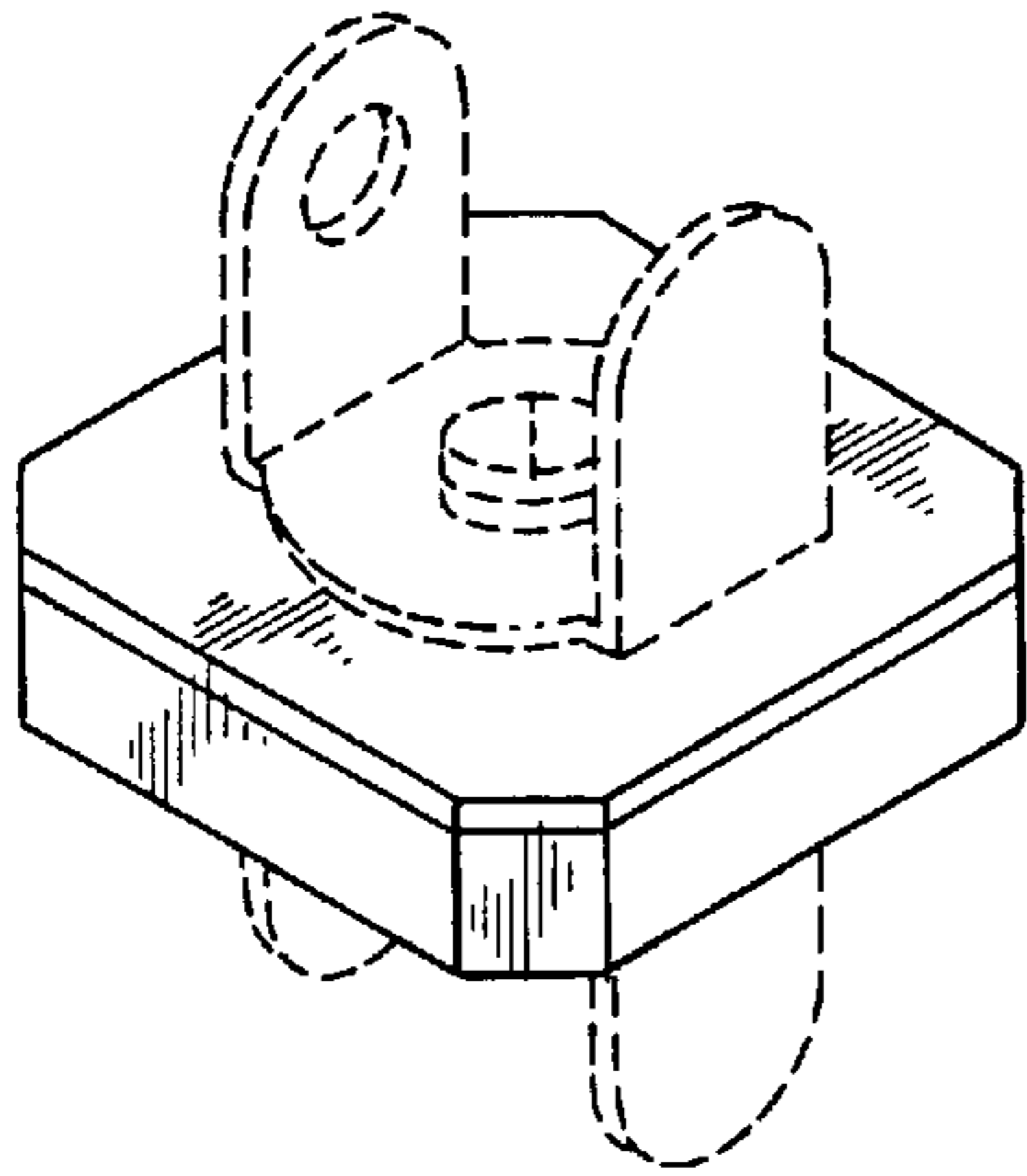


Fig. 1

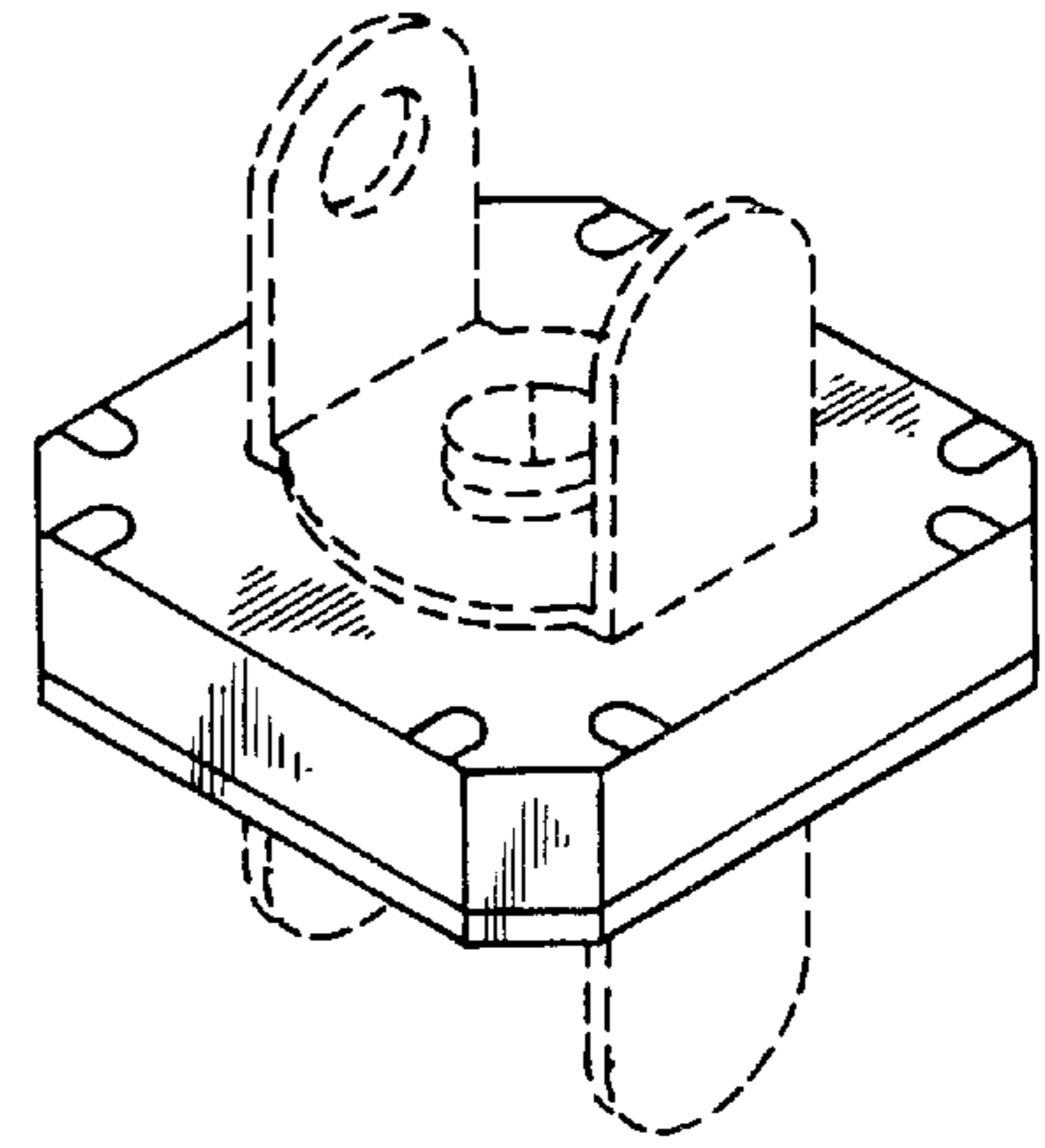


Fig. 3

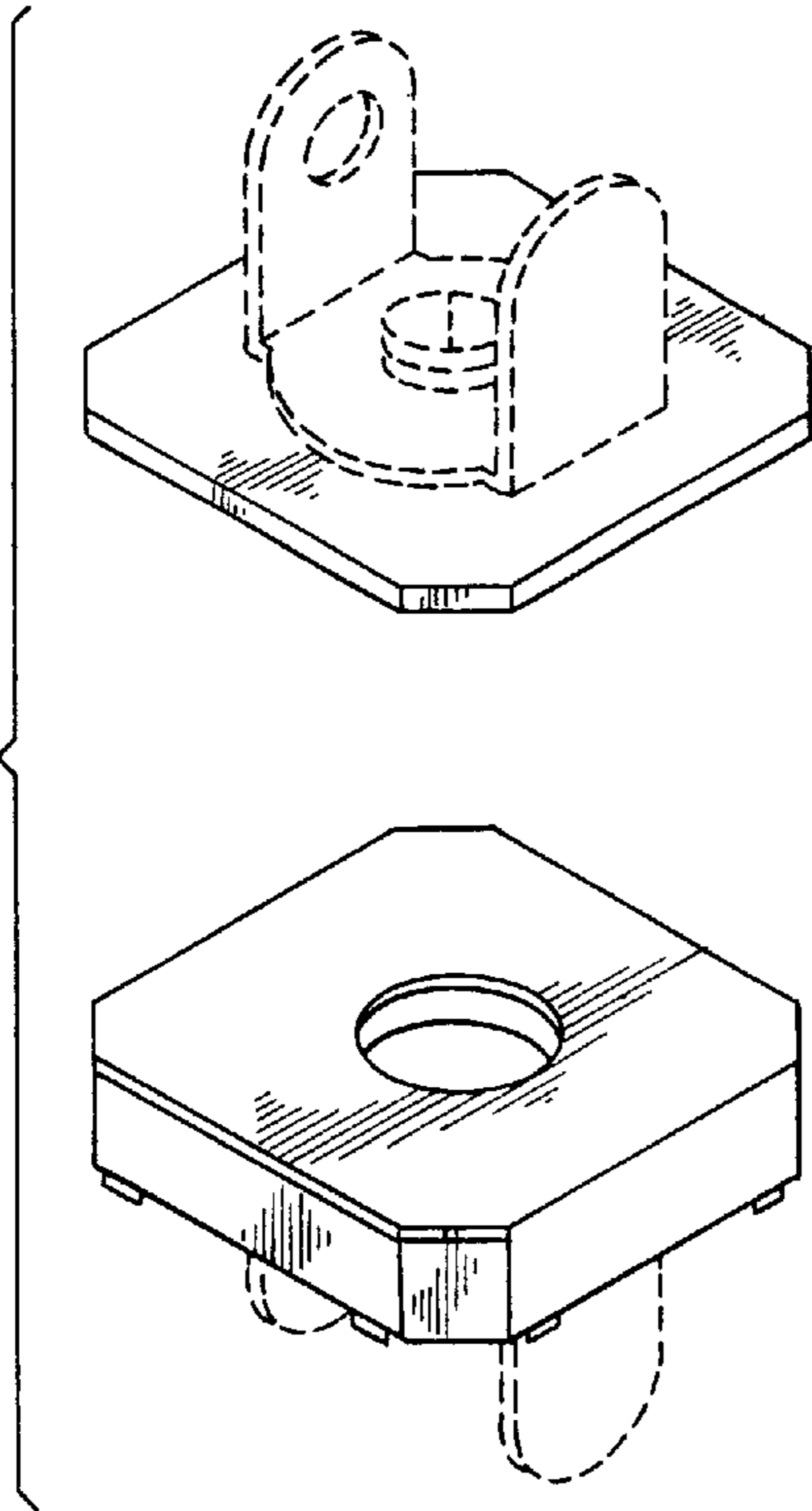


Fig. 2

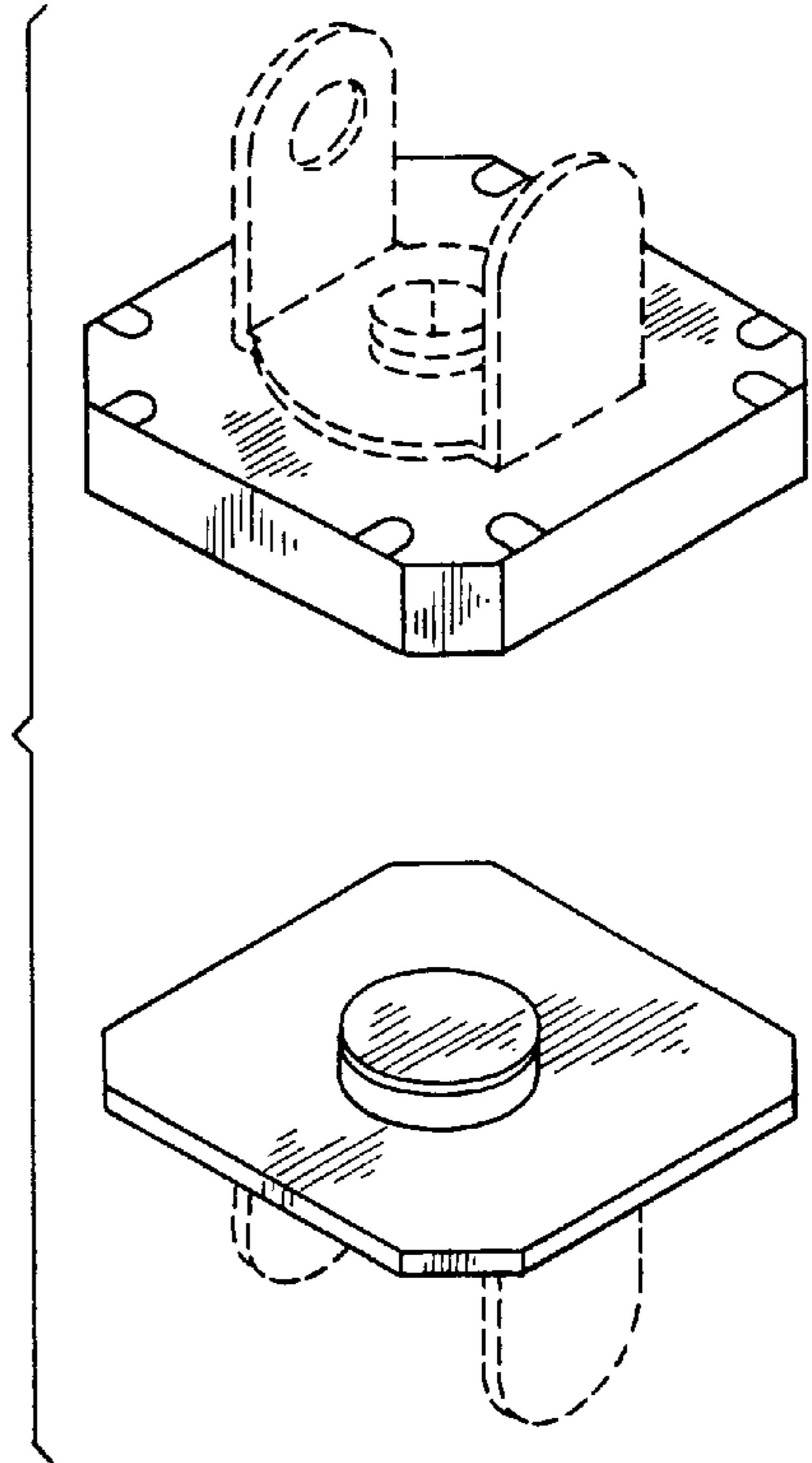


Fig. 4

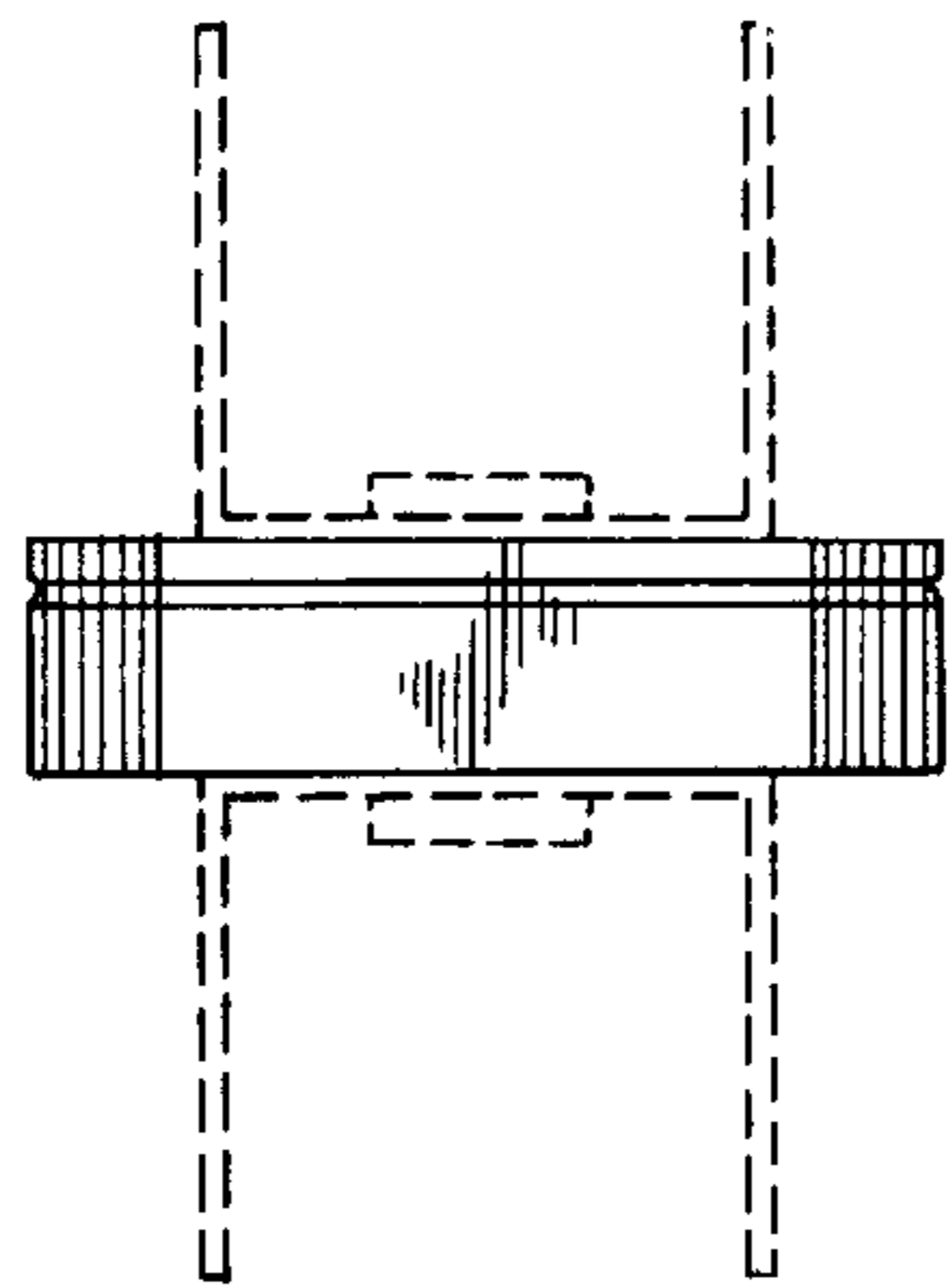


Fig. 5

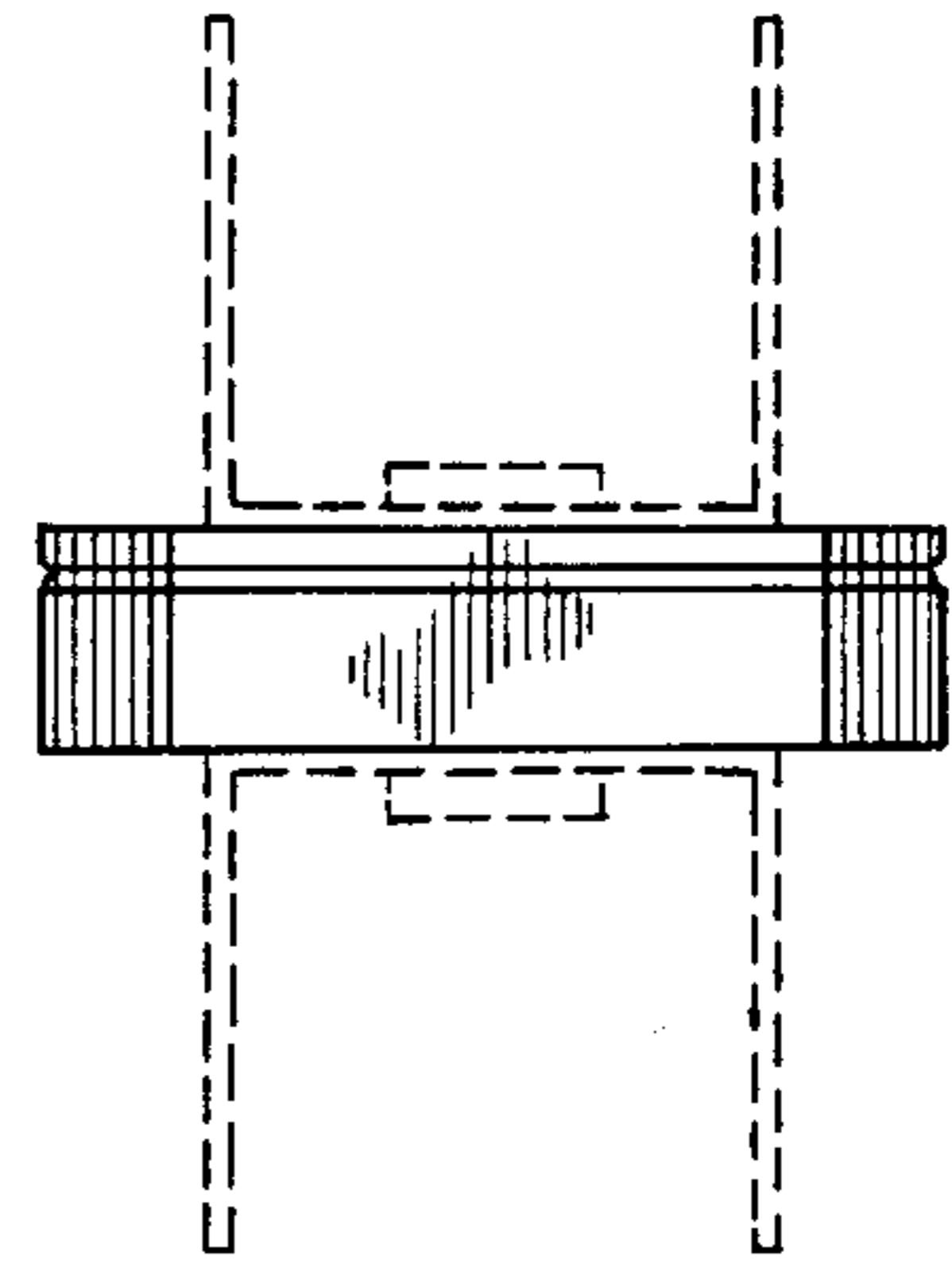


Fig. 6

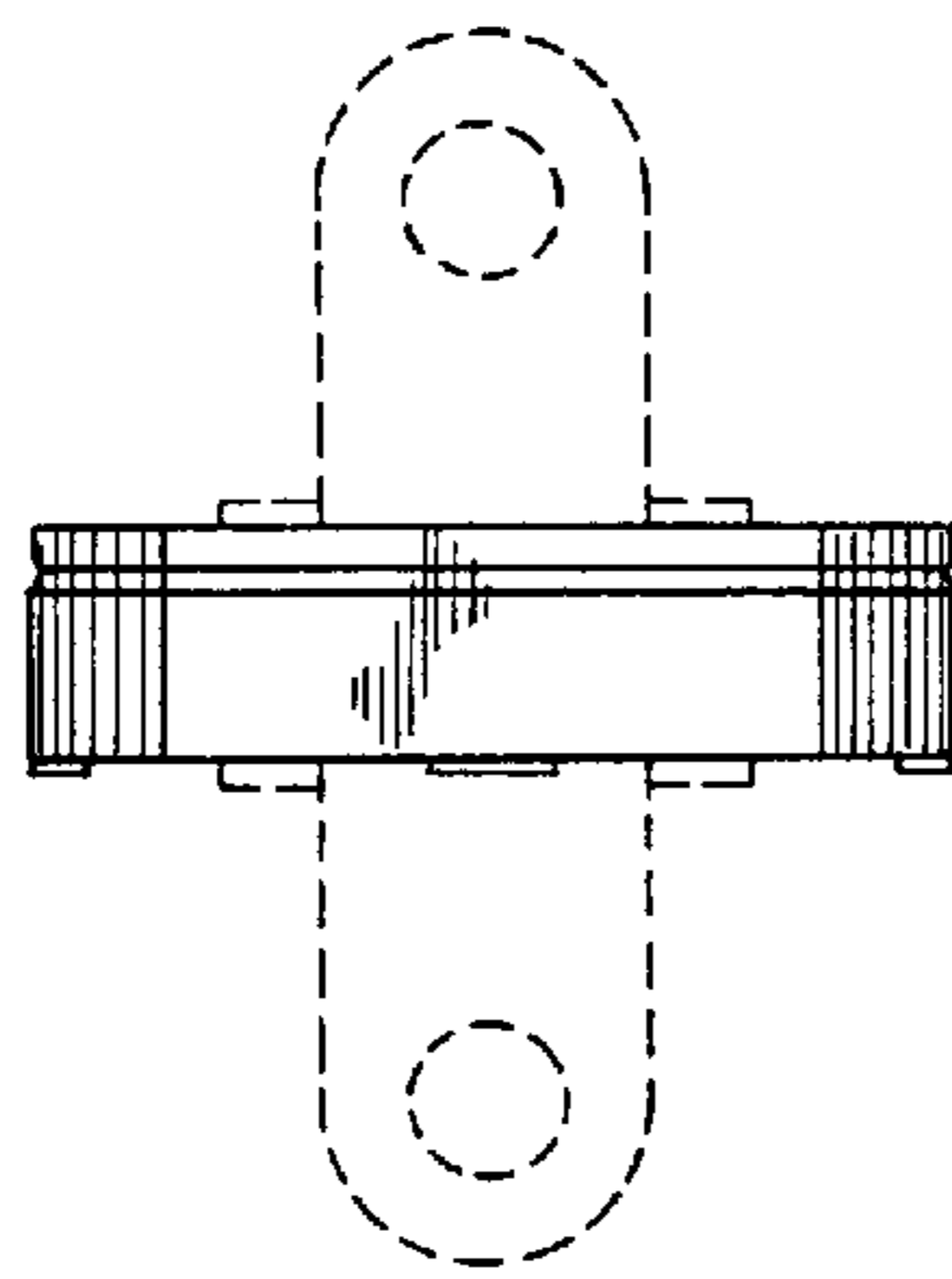


Fig. 7

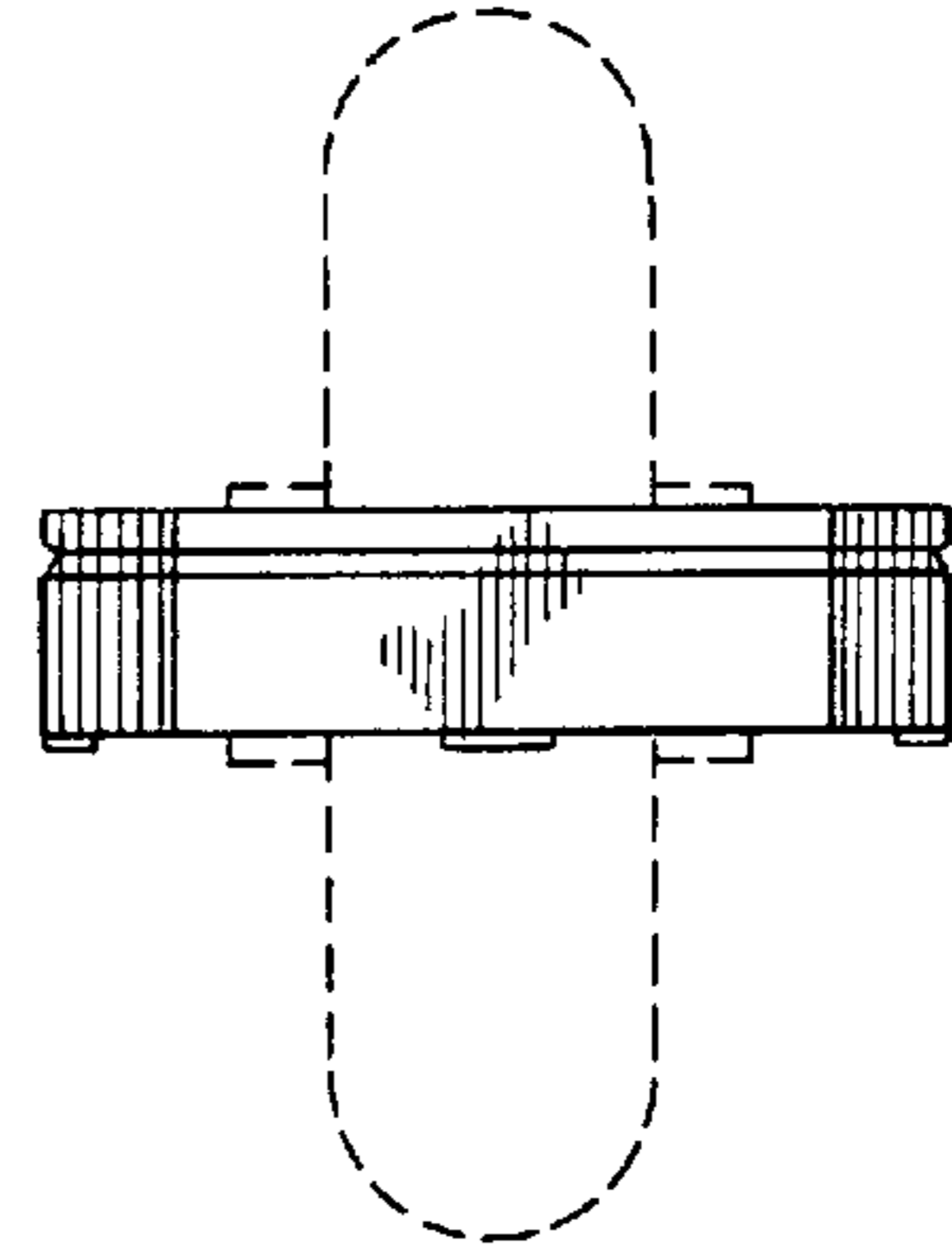


Fig. 8

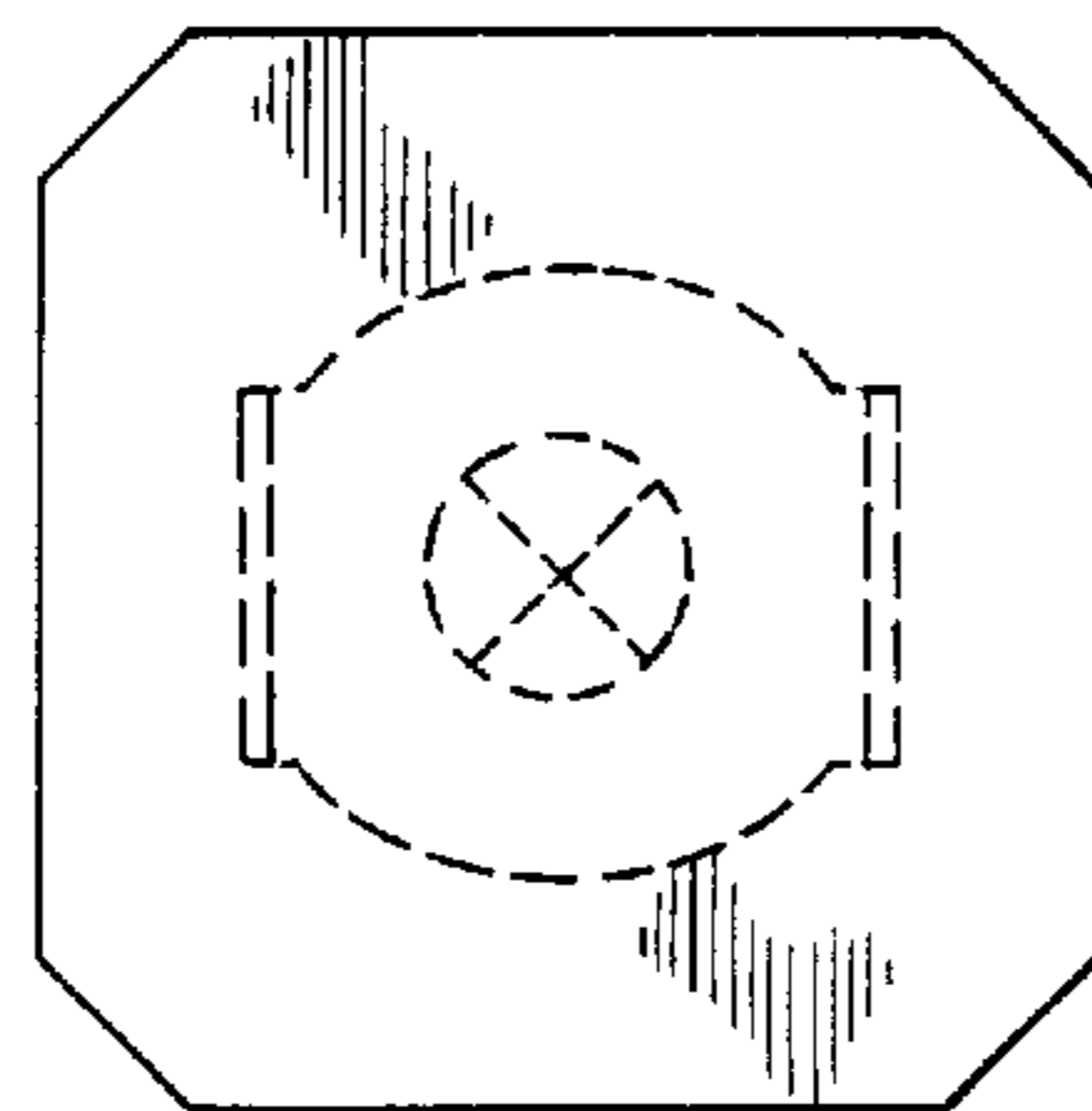


Fig. 9

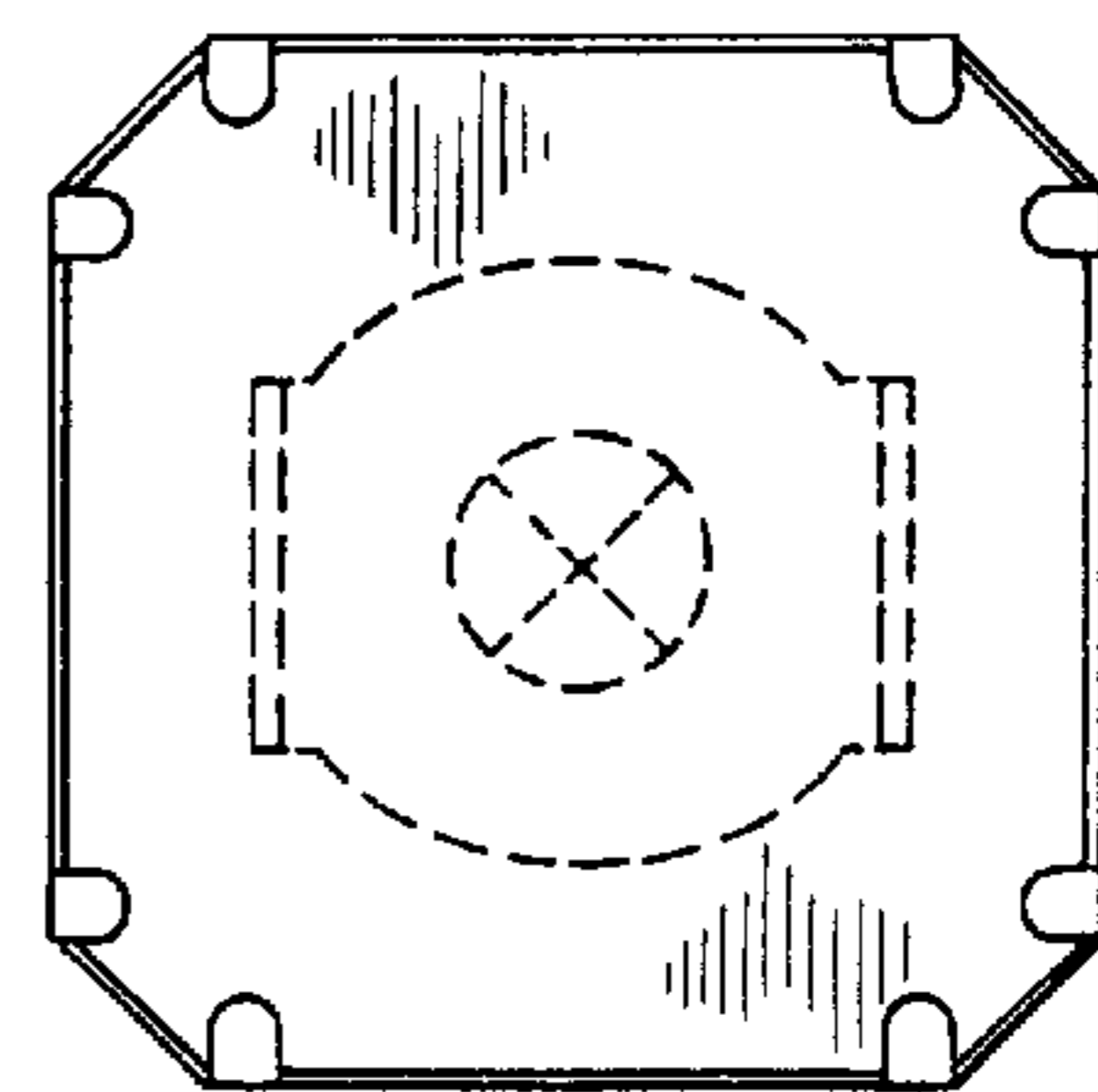


Fig. 10