



US00D450624B1

(12) **United States Design Patent**
Stern

(10) **Patent No.:** **US D450,624 S**

(45) **Date of Patent:** **** Nov. 20, 2001**

(54) **FLOWER HOLDER**

5,960,587 * 10/1999 Brasseur, Jr. et al. 47/66.1

* cited by examiner

(76) **Inventor:** **Bruce D. Stern**, 16832 Otsego St.,
Encino, CA (US) 91436

Primary Examiner—Doris V. Coles

Assistant Examiner—Elizabeth A. Albert

(74) *Attorney, Agent, or Firm*—Thomas A. Turner, Jr.

(**) **Term:** **14 Years**

(57) **CLAIM**

(21) **Appl. No.:** **29/121,811**

The ornamental design for a flower holder, as shown and described.

(22) **Filed:** **Apr. 13, 2000**

DESCRIPTION

(51) **LOC (7) Cl.** **11-02**

(52) **U.S. Cl.** **D11/152**

(58) **Field of Search** D11/143, 144,
D11/148, 149, 151, 152, 153, 154, 155,
156, 130; 47/40, 65.5, 65.6, 65.7, 65.9,
66.2, 66.6, 67, 68, 71, 86, 23, 40.5, 41.01,
44, 46, 66.1; 206/423; 220/23.6; 248/27.8;
D8/1, 352

FIG. 1 is a perspective view of a flower holder showing my new design;

FIG. 2 is a plan or top view thereof;

FIG. 3 is a side elevation view thereof;

FIG. 4 is a side elevation view thereof taken approximately from a view ninety degrees rotated from the side elevation view of FIG. 3;

FIG. 5 is a side elevation view thereof taken approximately from a view one hundred and eighty degrees rotated from the side elevation view of FIG. 4;

FIG. 6 is a side elevation view thereof taken approximately from a view one hundred and eighty degrees rotated from the side elevation view of FIG. 3; and,

FIG. 7 is a bottom view of the flower holder showing my new design.

The broken line showing of environment is for illustrative purposes only and forms no part of the claimed design.

(56) **References Cited**

U.S. PATENT DOCUMENTS

D. 251,763	*	5/1979	Sovey	D11/152
D. 405,027	*	2/1999	McElwain et al.	D11/144
451,645	*	5/1891	Tudor	47/41.01
986,395	*	3/1911	King	47/41.01
1,496,720	*	6/1924	Marsico	47/23
5,259,141	*	11/1993	D'Alessandro	47/66.1
5,918,411	*	7/1999	Hadrava	47/23

1 Claim, 2 Drawing Sheets

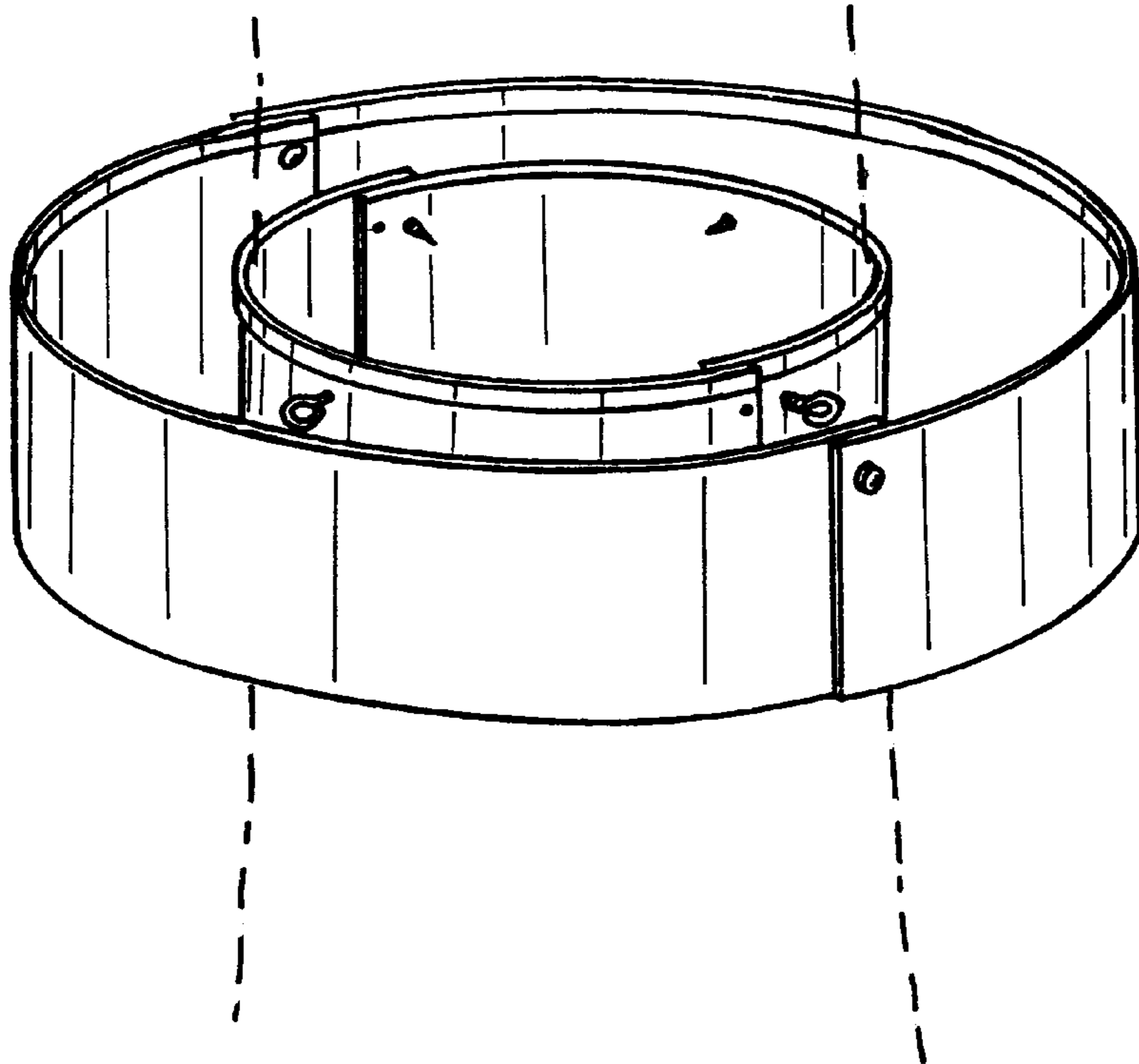


FIG. 1

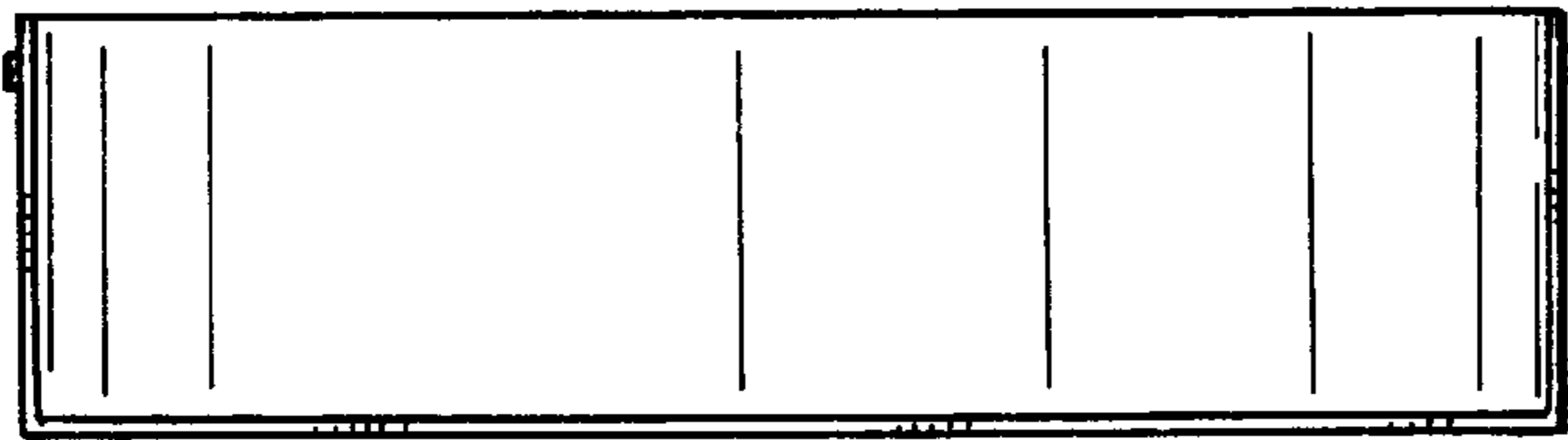
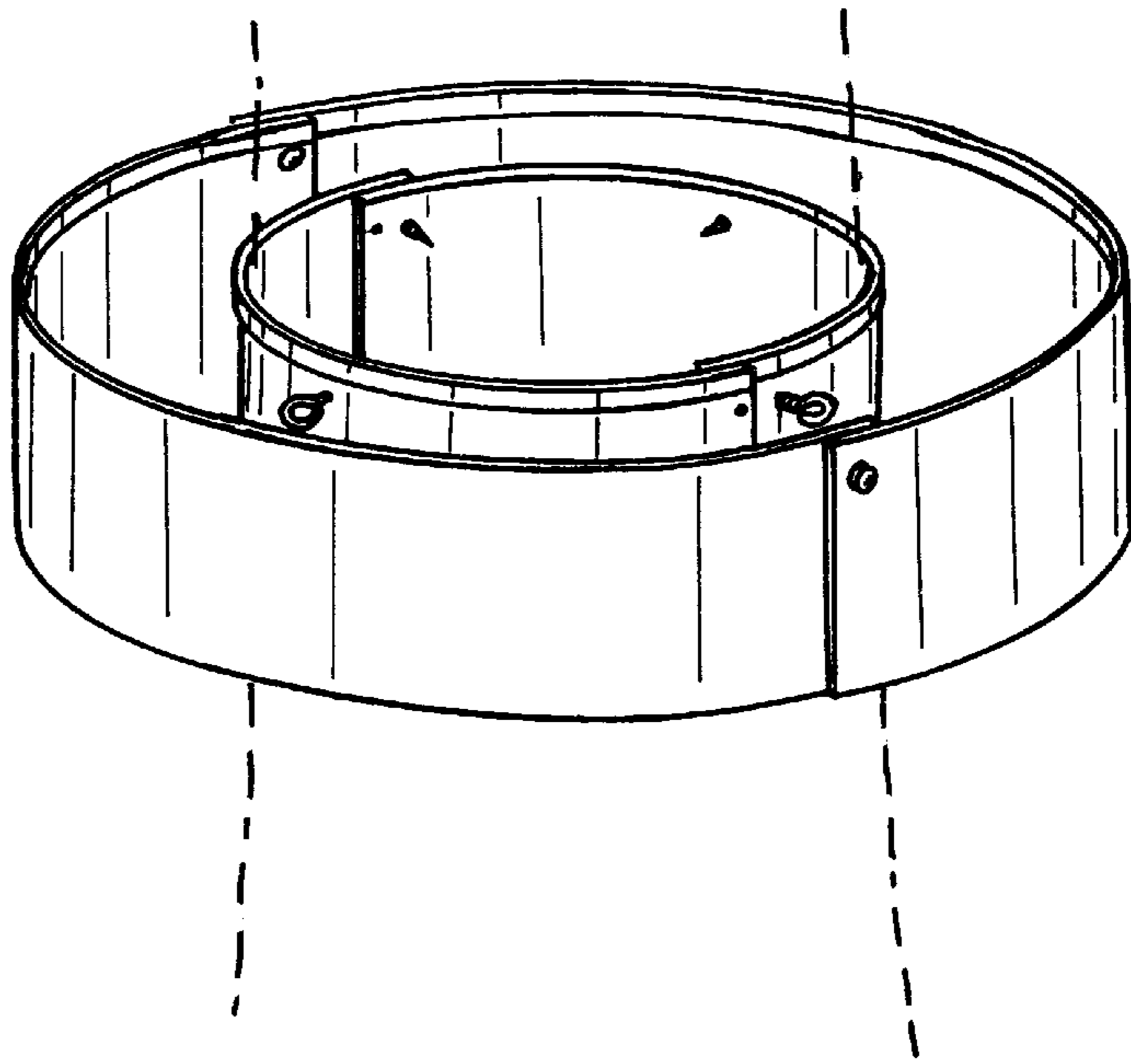


FIG. 4

FIG. 6

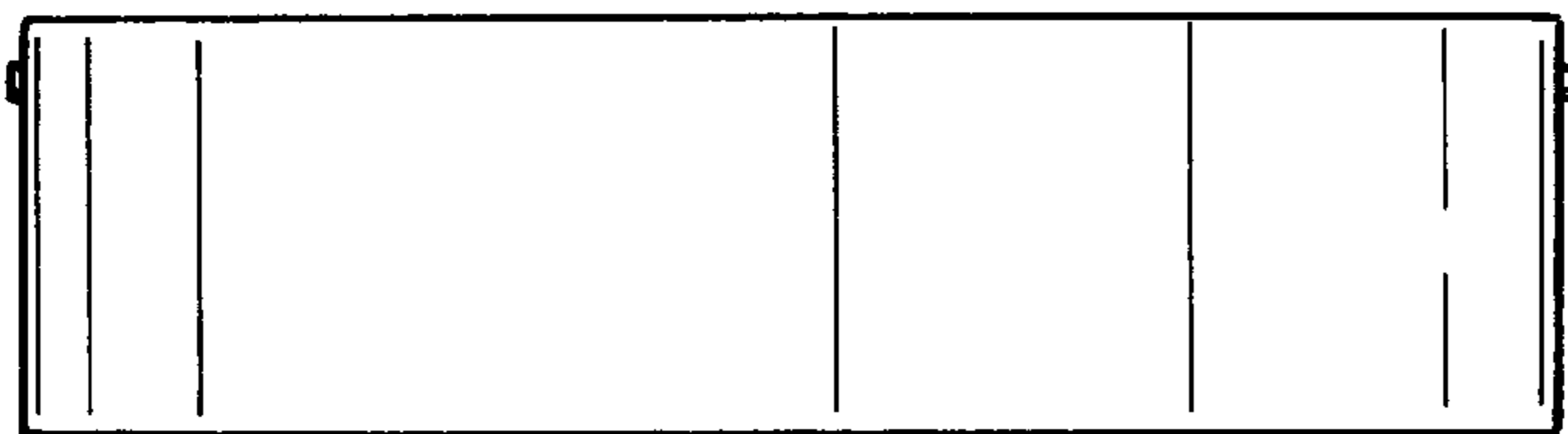
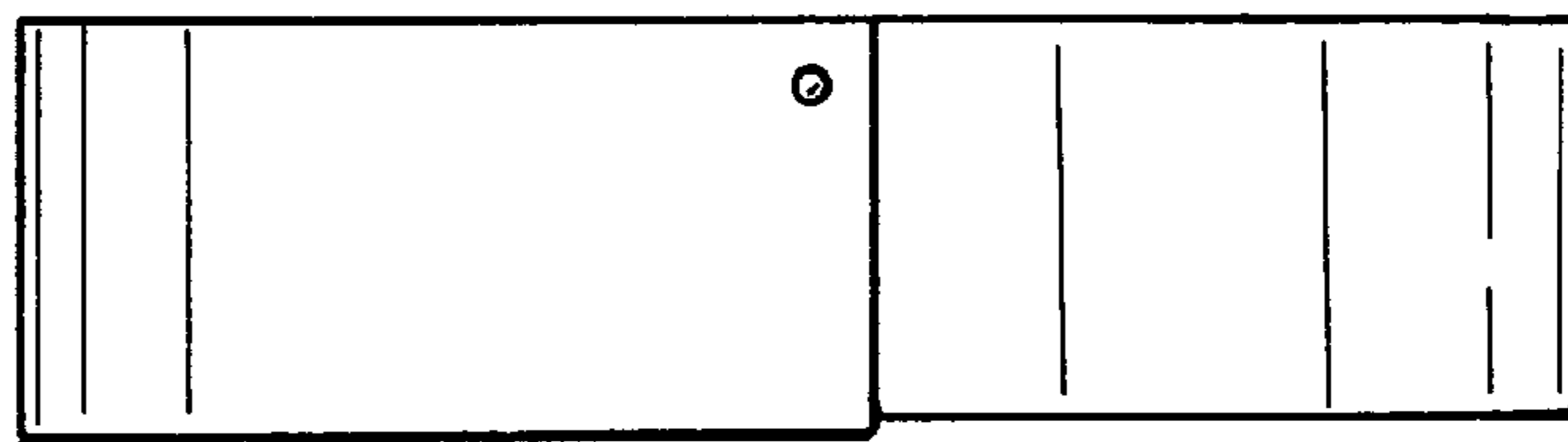


FIG. 5

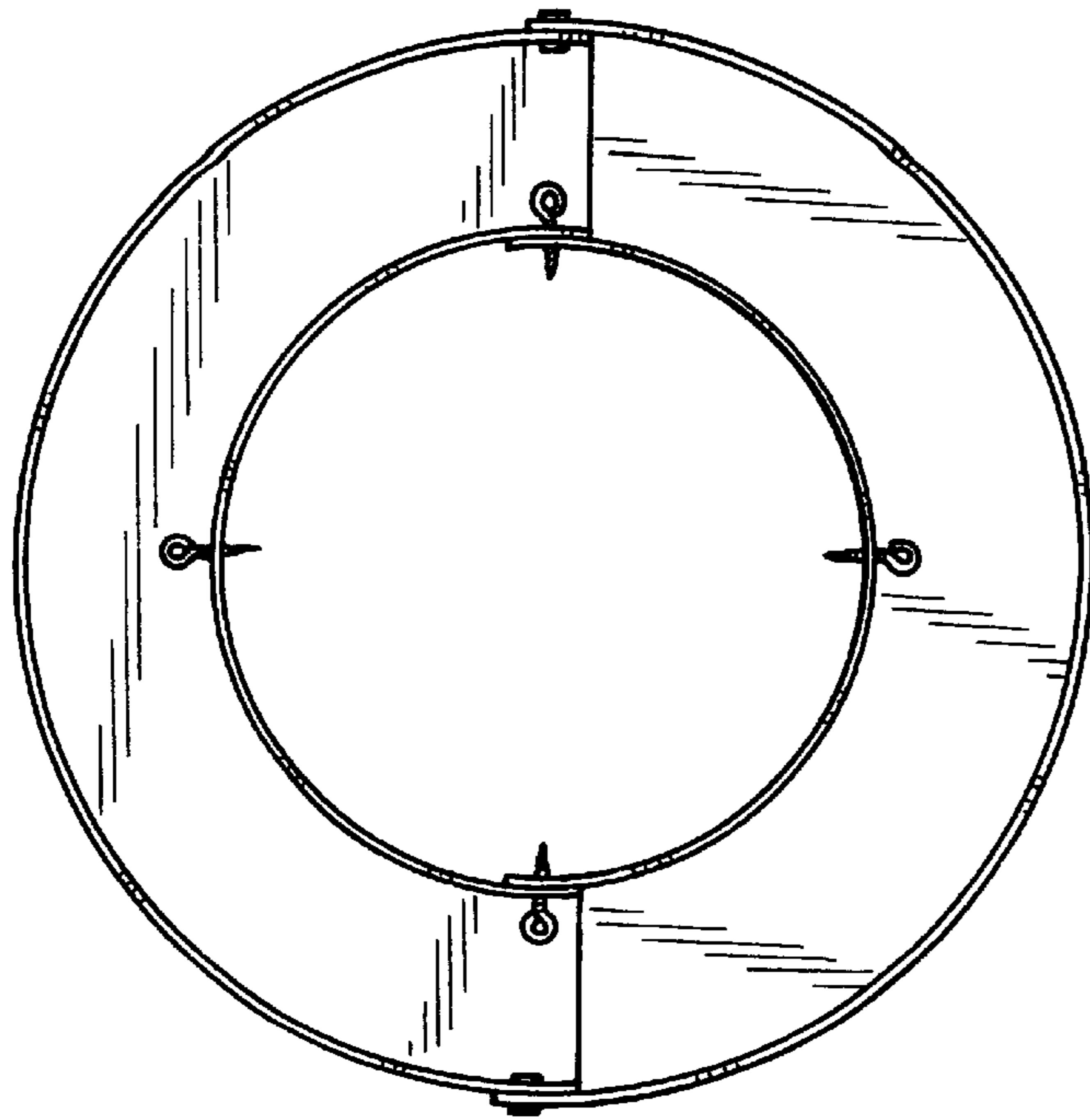


FIG. 2

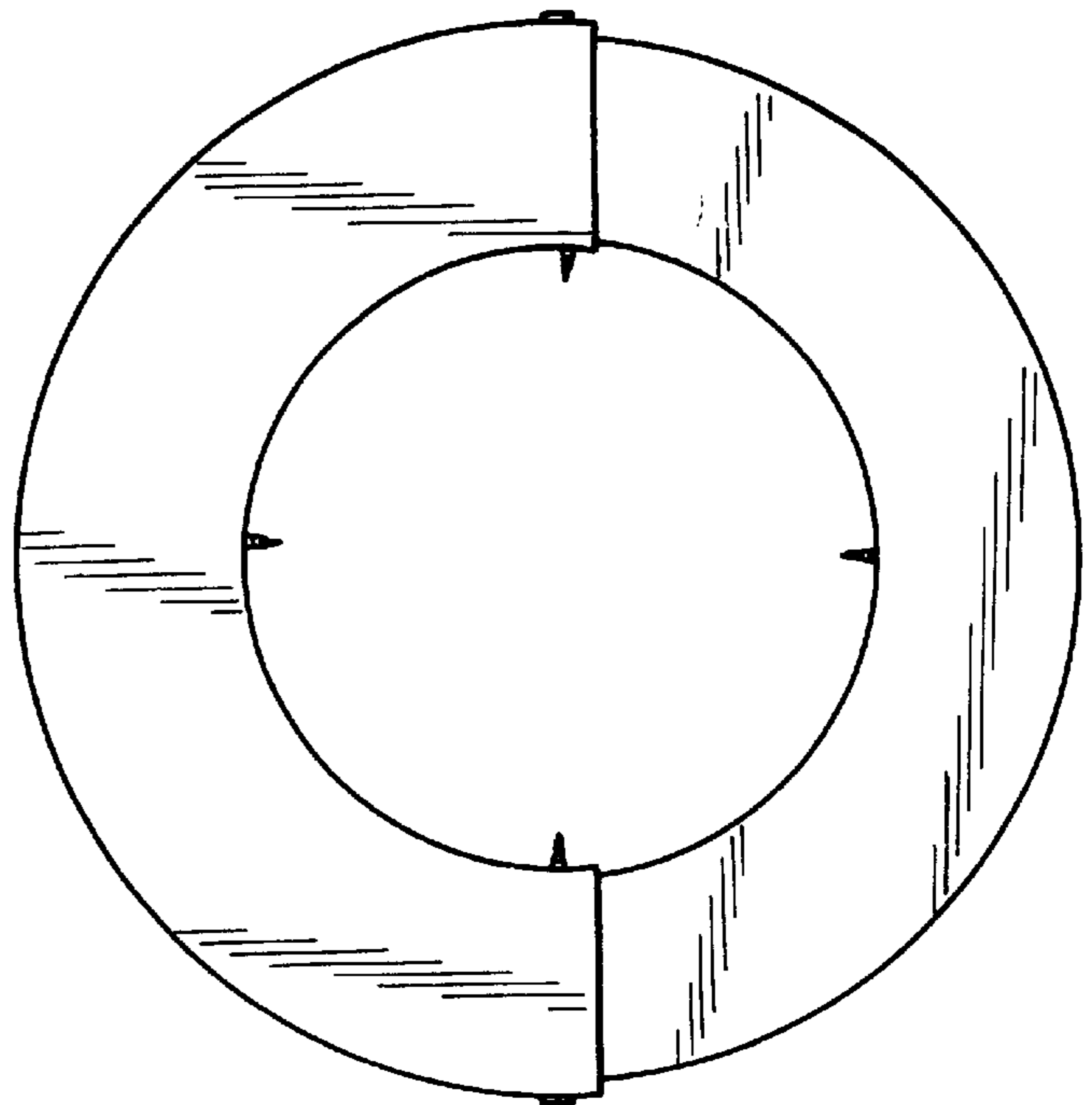


FIG. 7

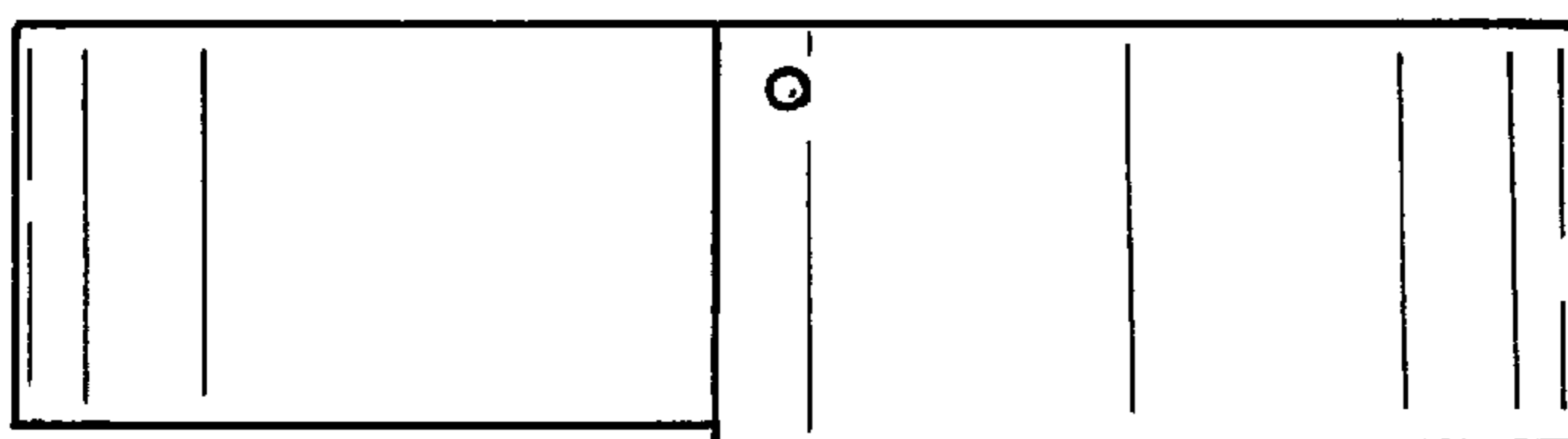


FIG. 3