



US00D450621B1

(12) **United States Design Patent**
Boucher

(10) **Patent No.:** **US D450,621 S**

(45) **Date of Patent:** **** Nov. 20, 2001**

(54) **CHRISTMAS TREE STAND**

(76) Inventor: **Jim R. Boucher**, 555 E. Main, Turlock,
CA (US) 95380

(**) Term: **14 Years**

(21) Appl. No.: **29/134,554**

(22) Filed: **Dec. 20, 2000**

(51) **LOC (7) Cl.** **11-05**

(52) **U.S. Cl.** **D11/130.1**

(58) **Field of Search** D11/130.1; 47/40.5;
248/511-523

(56) **References Cited**

U.S. PATENT DOCUMENTS

D. 318,634	*	7/1991	Tobin	D11/130.1
D. 330,875		11/1992	Boucher	.	
D. 418,082	*	12/1999	Braumann et al.	D11/130.1
D. 442,883	*	5/2001	Finch	D11/130.1
2,763,454	*	9/1956	Lindell	248/517
3,329,380	*	7/1967	Graves et al.	47/40.5
4,569,151	*	2/1986	Hoffbeck	47/40.5

OTHER PUBLICATIONS

Decorations for Generations Brochure with photos of Santa's Sturdy Tree Stands, 1997.

* cited by examiner

Primary Examiner—Dominic Simone

(74) *Attorney, Agent, or Firm*—Beyer Weaver & Thomas

(57) **CLAIM**

I claim the ornamental design for a Christmas tree stand, as shown and described.

DESCRIPTION

FIG. 1 is a perspective view of a Christmas tree stand showing my new design;

FIG. 2 is a corner elevation view thereof; the remaining three corners being a mirror image thereof;

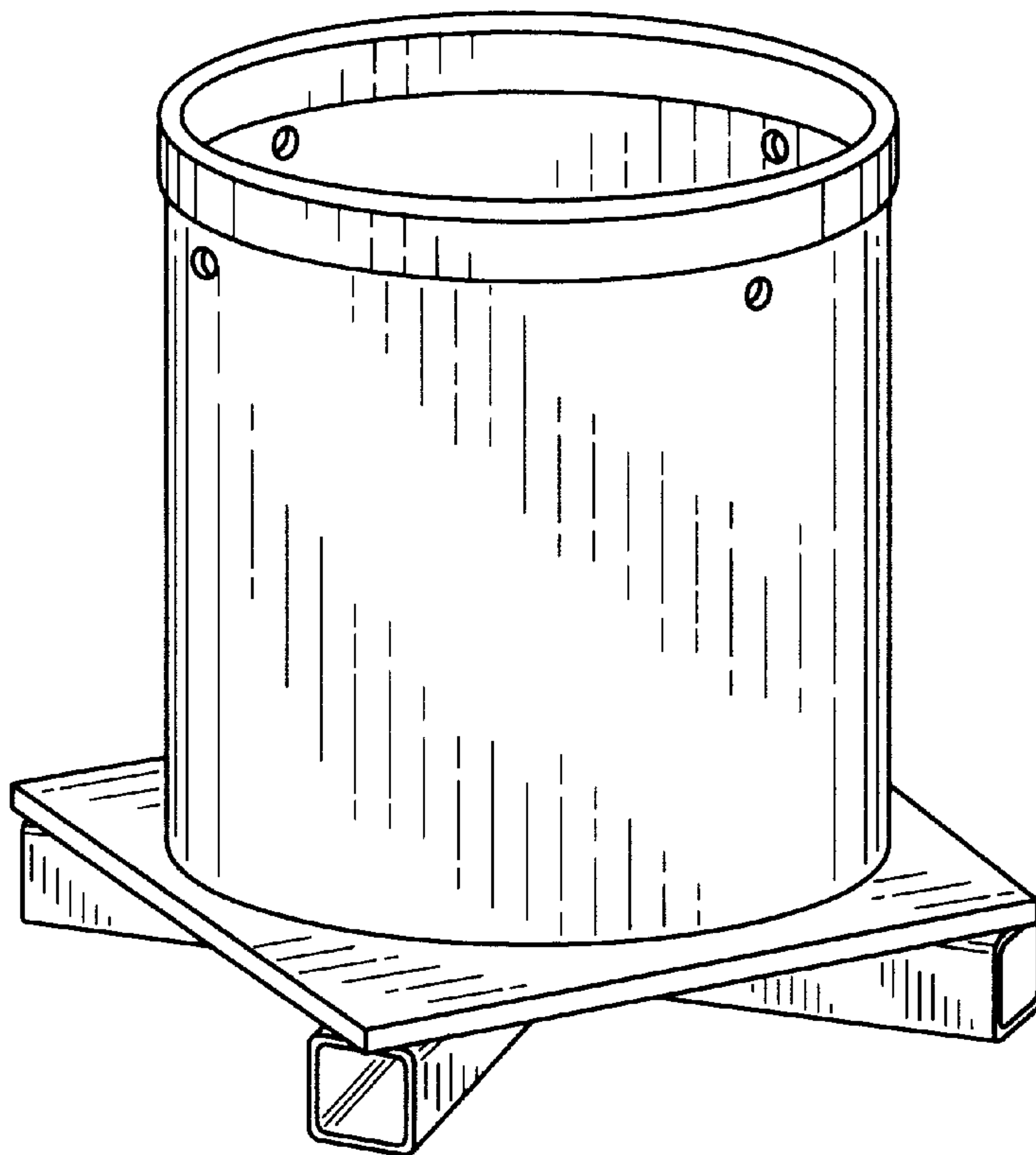
FIG. 3 is a front elevation view thereof; the rear elevation and side elevation views being mirror images thereof;

FIG. 4 is a top plan view thereof;

FIG. 5 is a bottom plan view thereof; and,

FIG. 6 is a top perspective view thereof, illustrating removable leg extensions inserted in the sleeves of the Christmas tree stand, it being understood that the phantom lines are for illustrative purposes only and form no part of the claimed design.

1 Claim, 4 Drawing Sheets



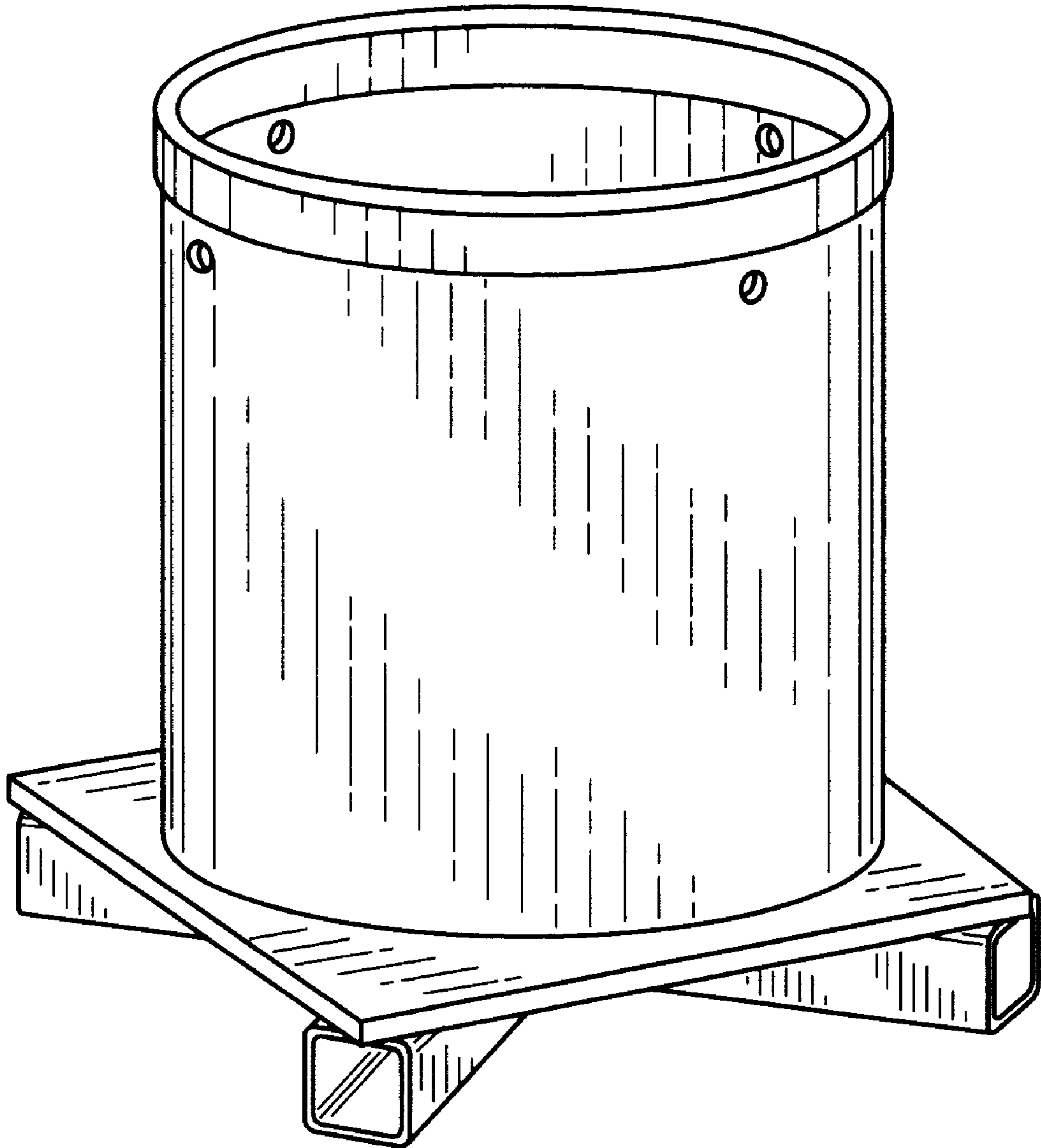


FIG. 1

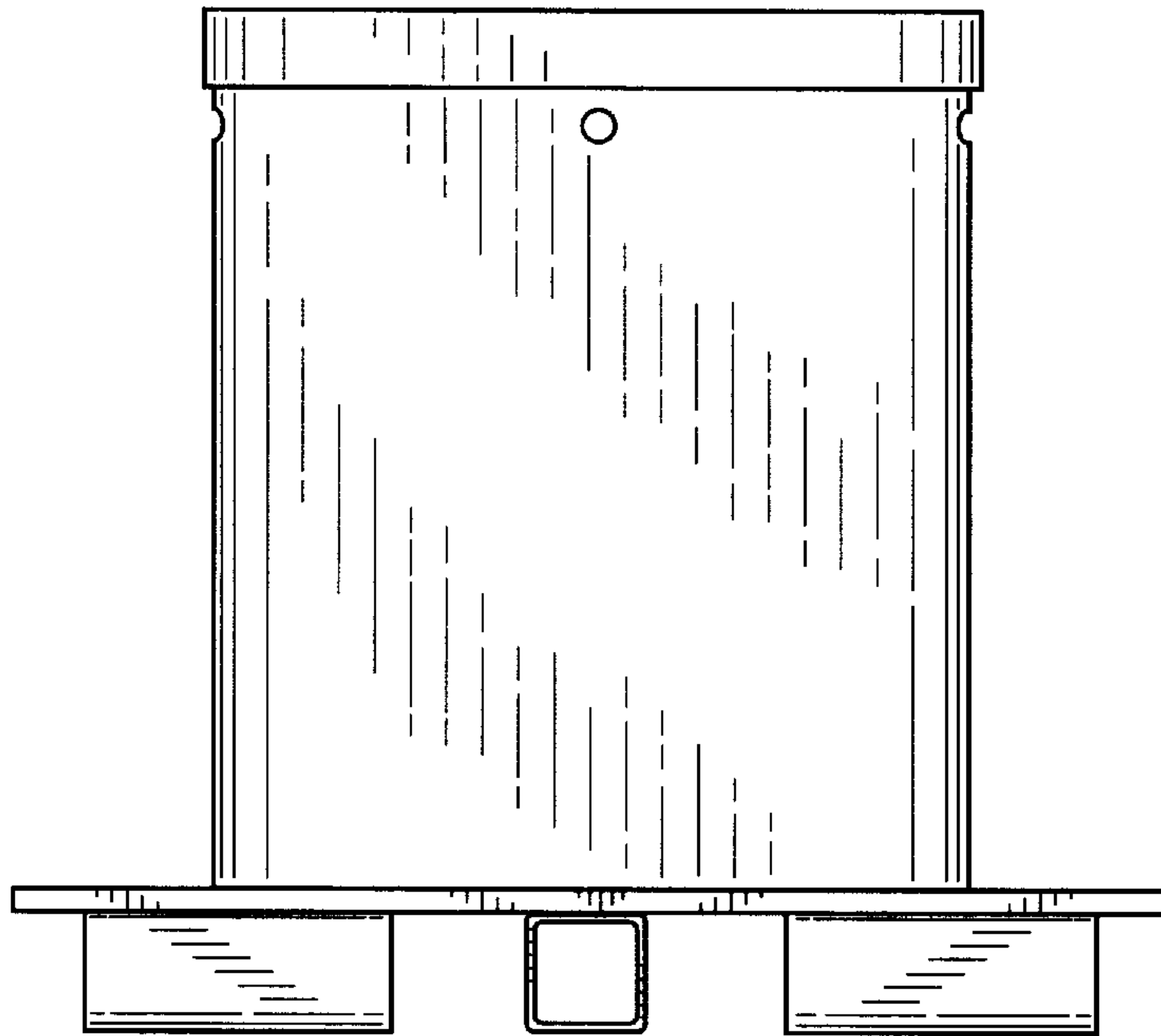


FIG. 2

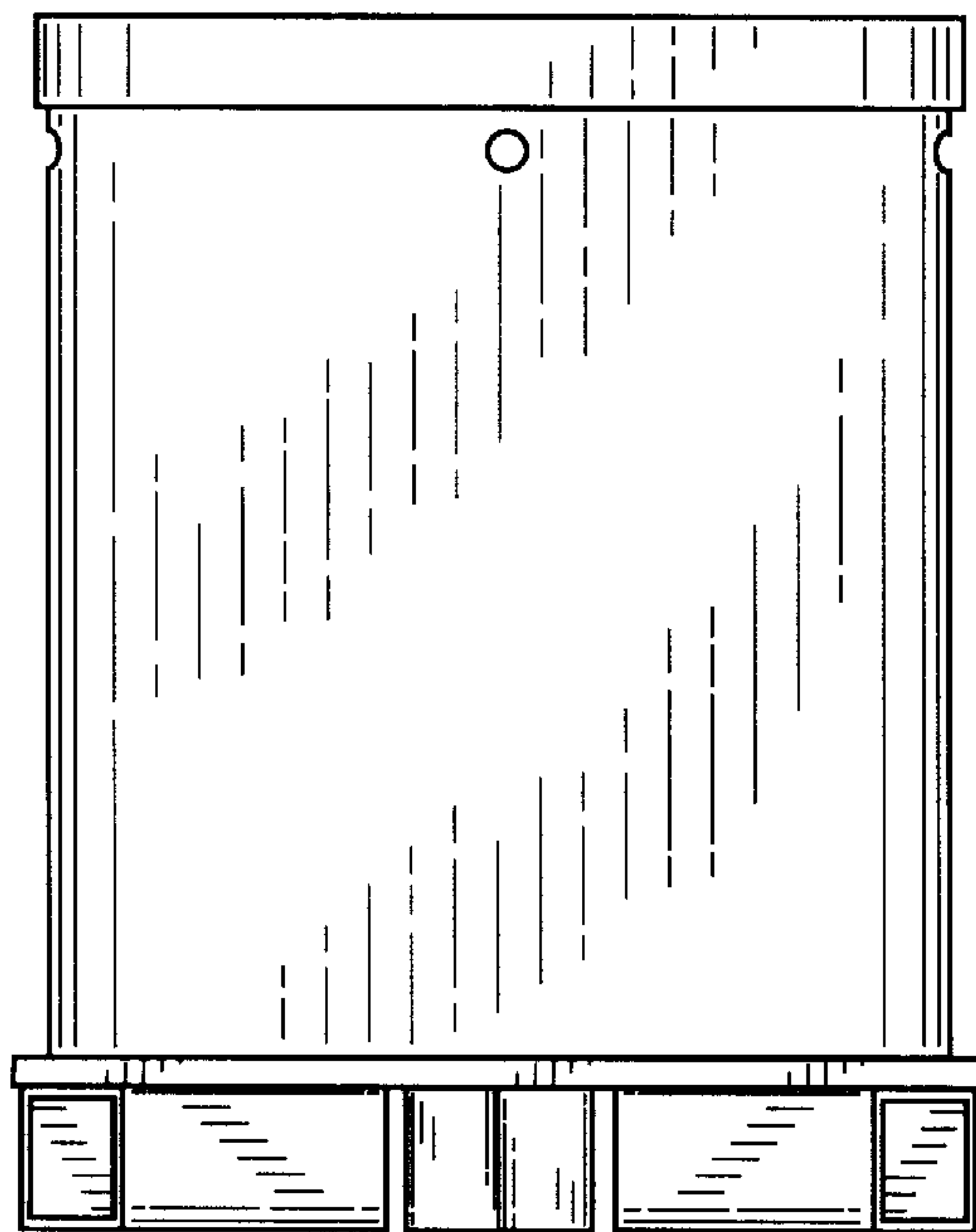


FIG. 3

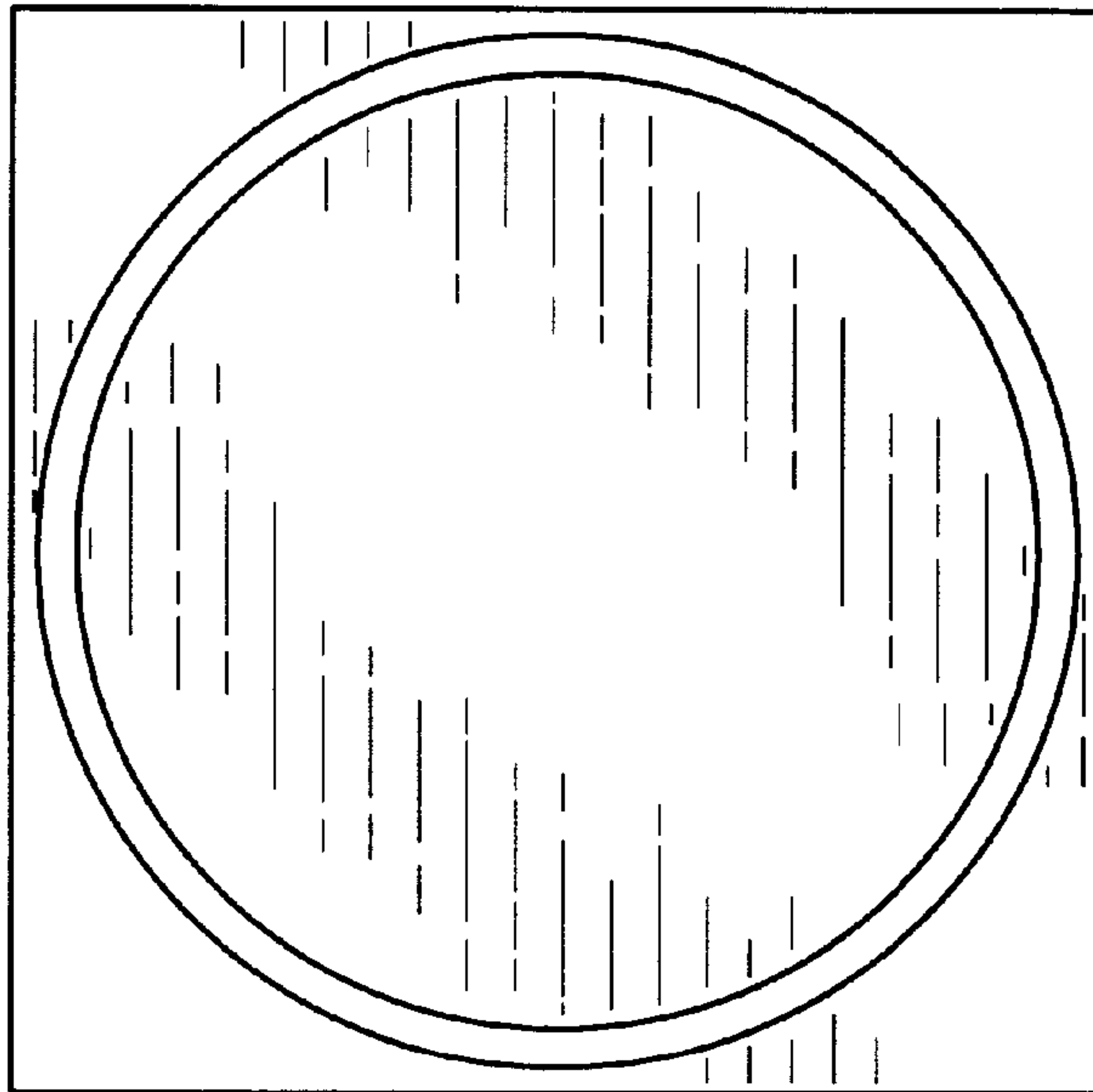


FIG. 4

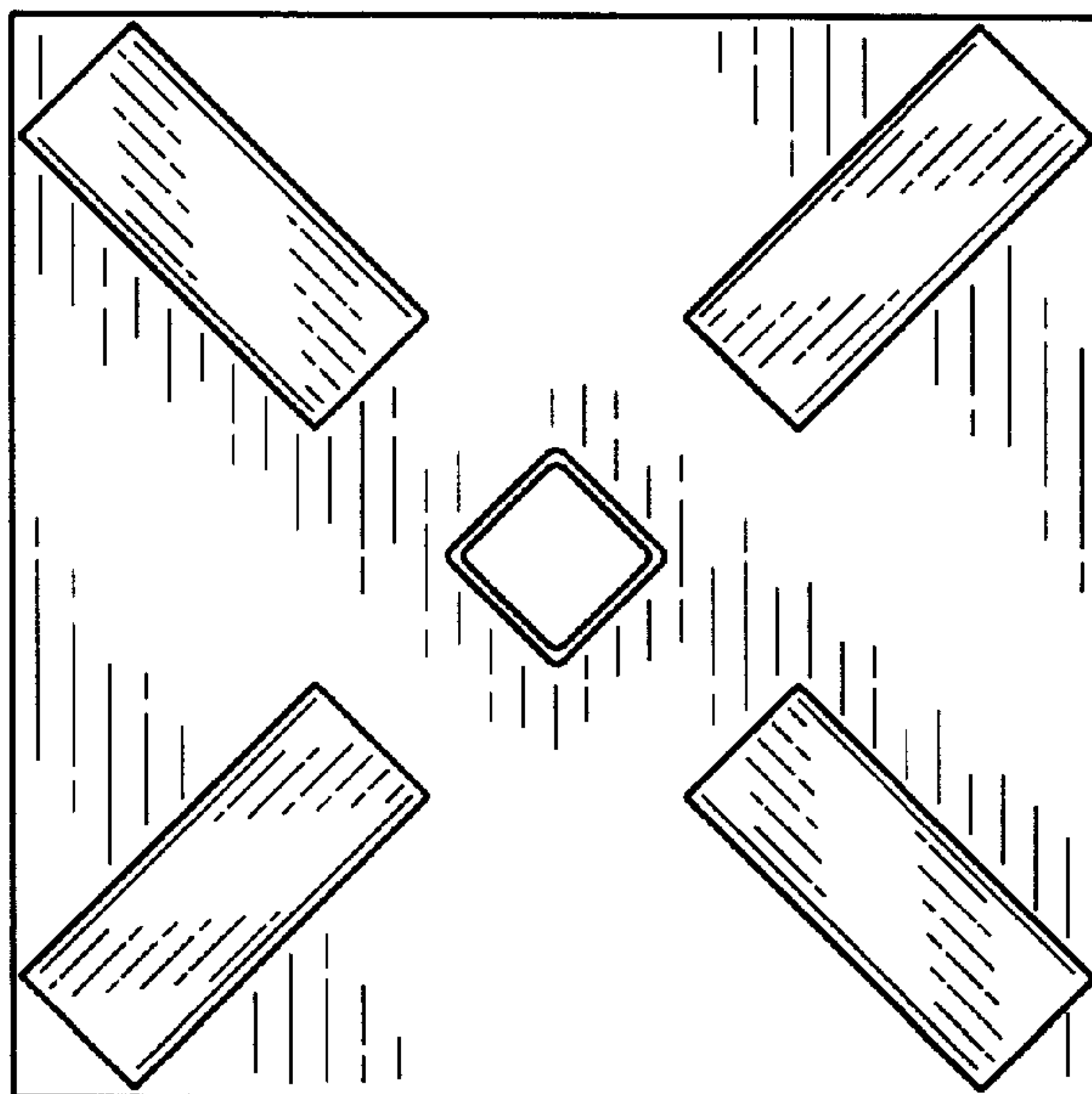


FIG. 5

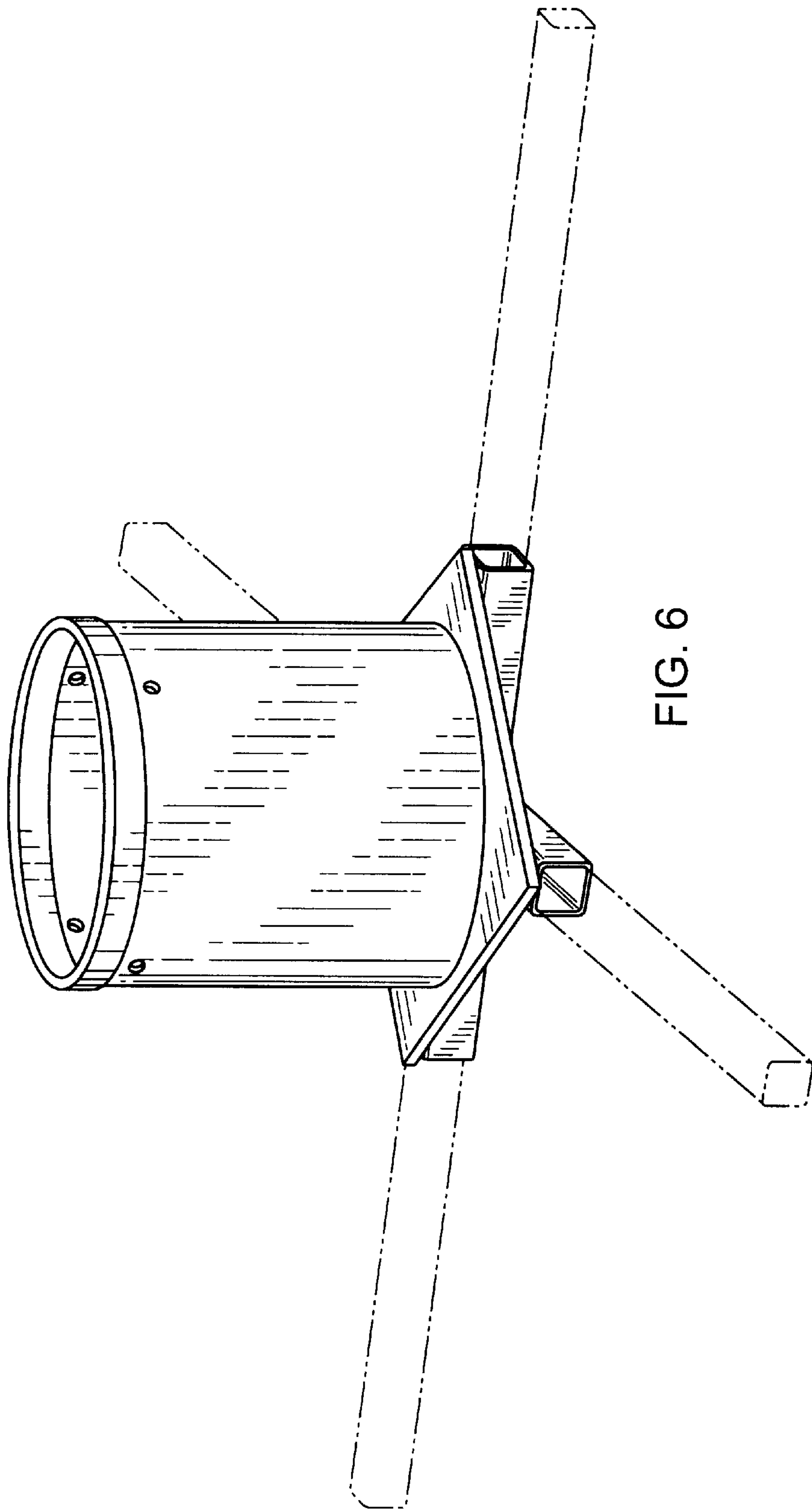


FIG. 6