



US00D450616B1

(12) **United States Design Patent**  
**Cohen**

(10) **Patent No.:** **US D450,616 S**

(45) **Date of Patent:** **\*\* Nov. 20, 2001**

(54) **FOB**

(76) **Inventor:** **Wayne Cohen**, 44 Convent Road,  
Silom, Bangkok (TH), 10500

(\*\*) **Term:** **14 Years**

(21) **Appl. No.:** **29/123,320**

(22) **Filed:** **May 15, 2000**

(51) **LOC (7) Cl.** ..... **11-01**

(52) **U.S. Cl.** ..... **D11/81**

(58) **Field of Search** ..... D11/1, 7, 43-44,  
D11/40, 48, 50, 57, 65, 74, 79, 80, 81,  
82, 95-99, 100, 104, 107; 63/1, 11, 2, 18-20,  
13, 23

(56) **References Cited**

**U.S. PATENT DOCUMENTS**

D. 174,102 \* 2/1955 Stonberg ..... D11/81

D. 241,669 \* 9/1976 Durante ..... D11/81

D. 246,355 \* 11/1977 Durante ..... D11/44

D. 319,170 \* 8/1991 Franke ..... D11/81

\* cited by examiner

*Primary Examiner*—Ralf Seifert

(74) *Attorney, Agent, or Firm*—Baker Botts LLP

(57) **CLAIM**

An ornamental design for a fob, as shown and described.

**DESCRIPTION**

FIG. 1 is a front view of a fob in accordance with my design;

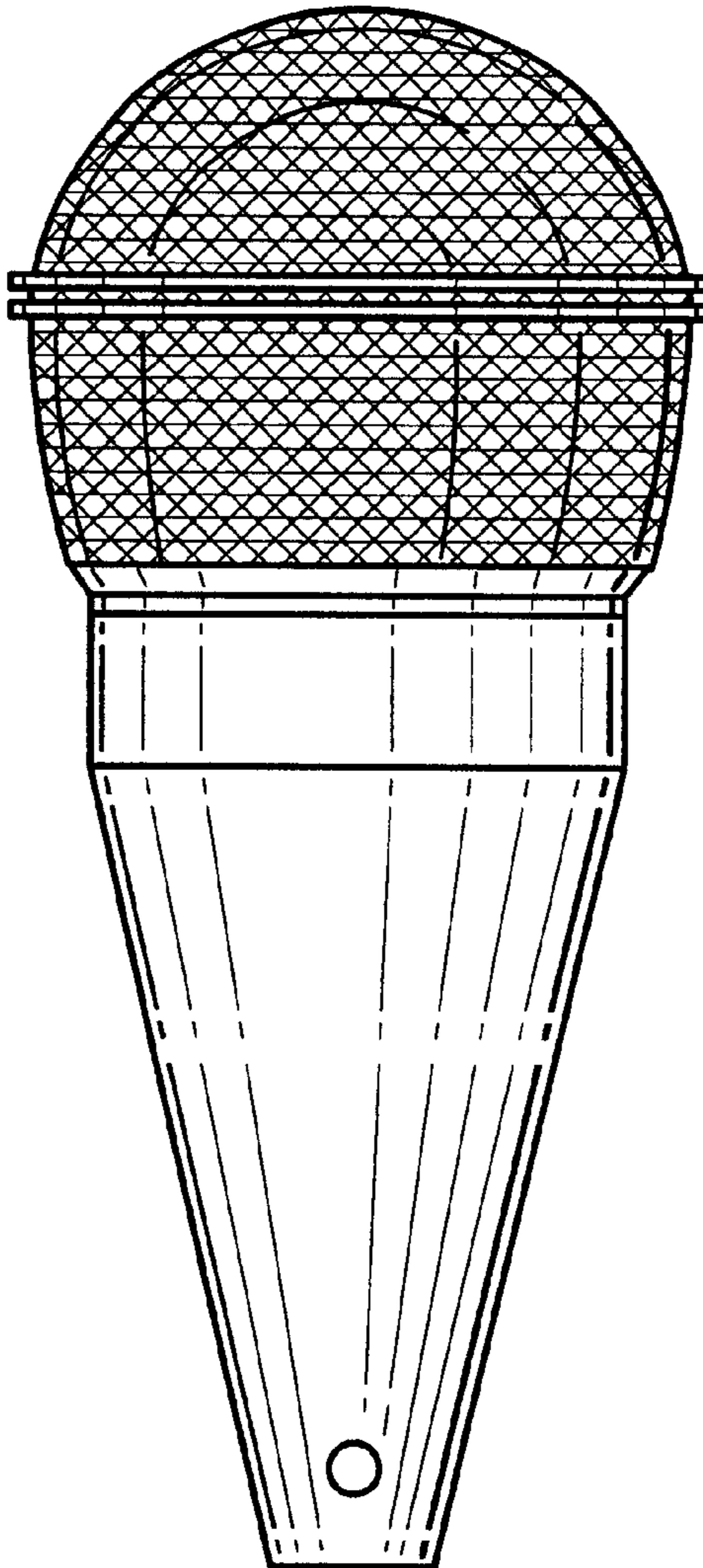
FIG. 2 is a right side view thereof;

FIG. 3 is a top view thereof; and,

FIG. 4 is a bottom view thereof.

The rear view is the same as the front view. The left side view is the same as the right side view.

**1 Claim, 1 Drawing Sheet**



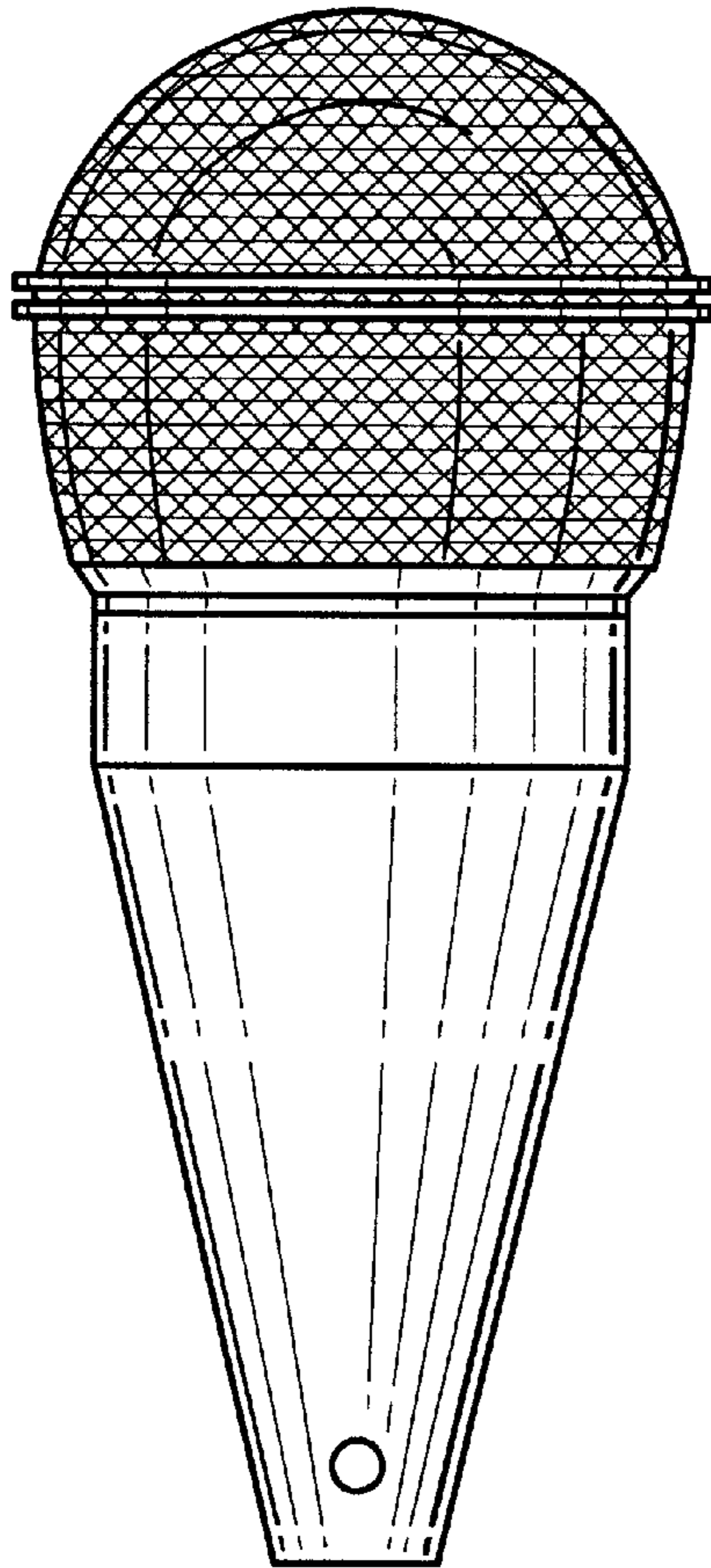


FIG. 1

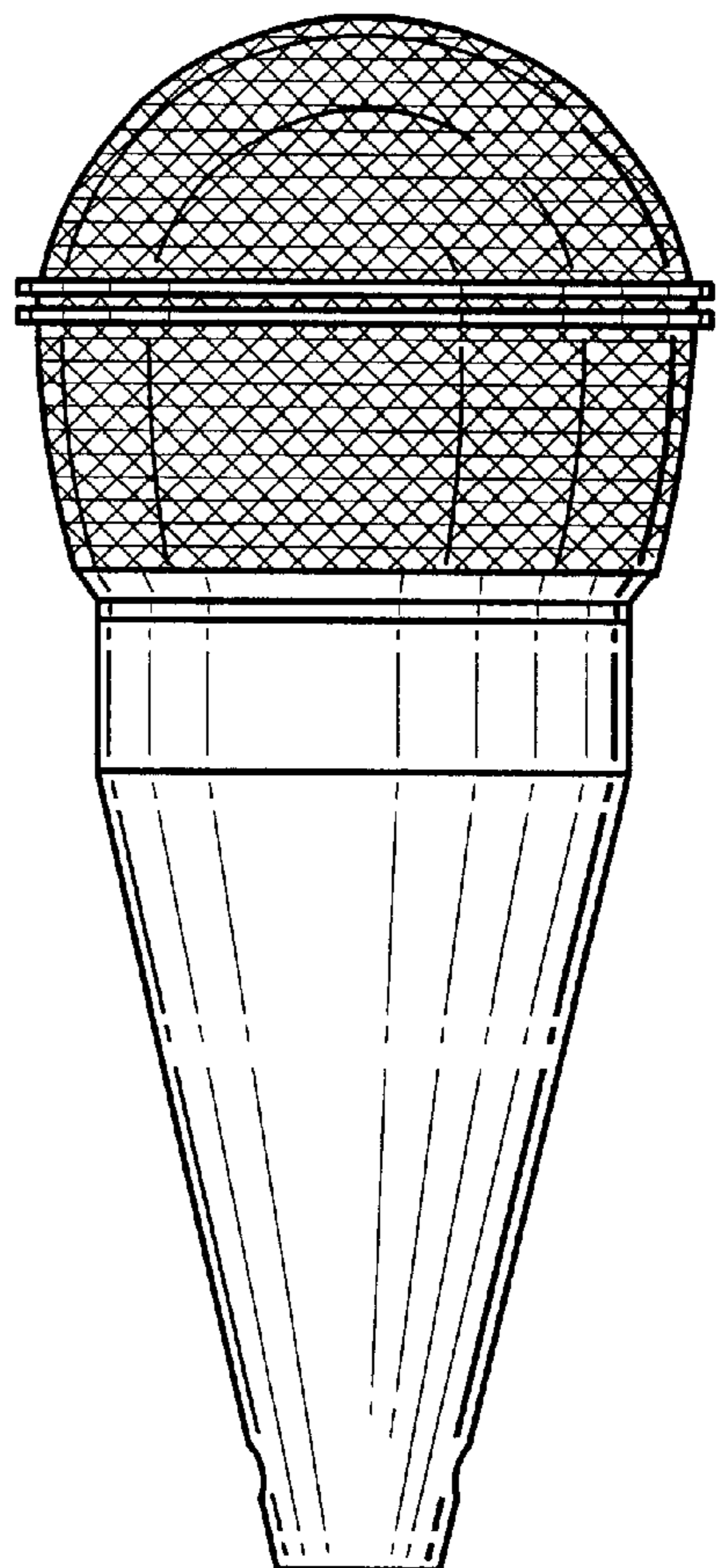


FIG. 2

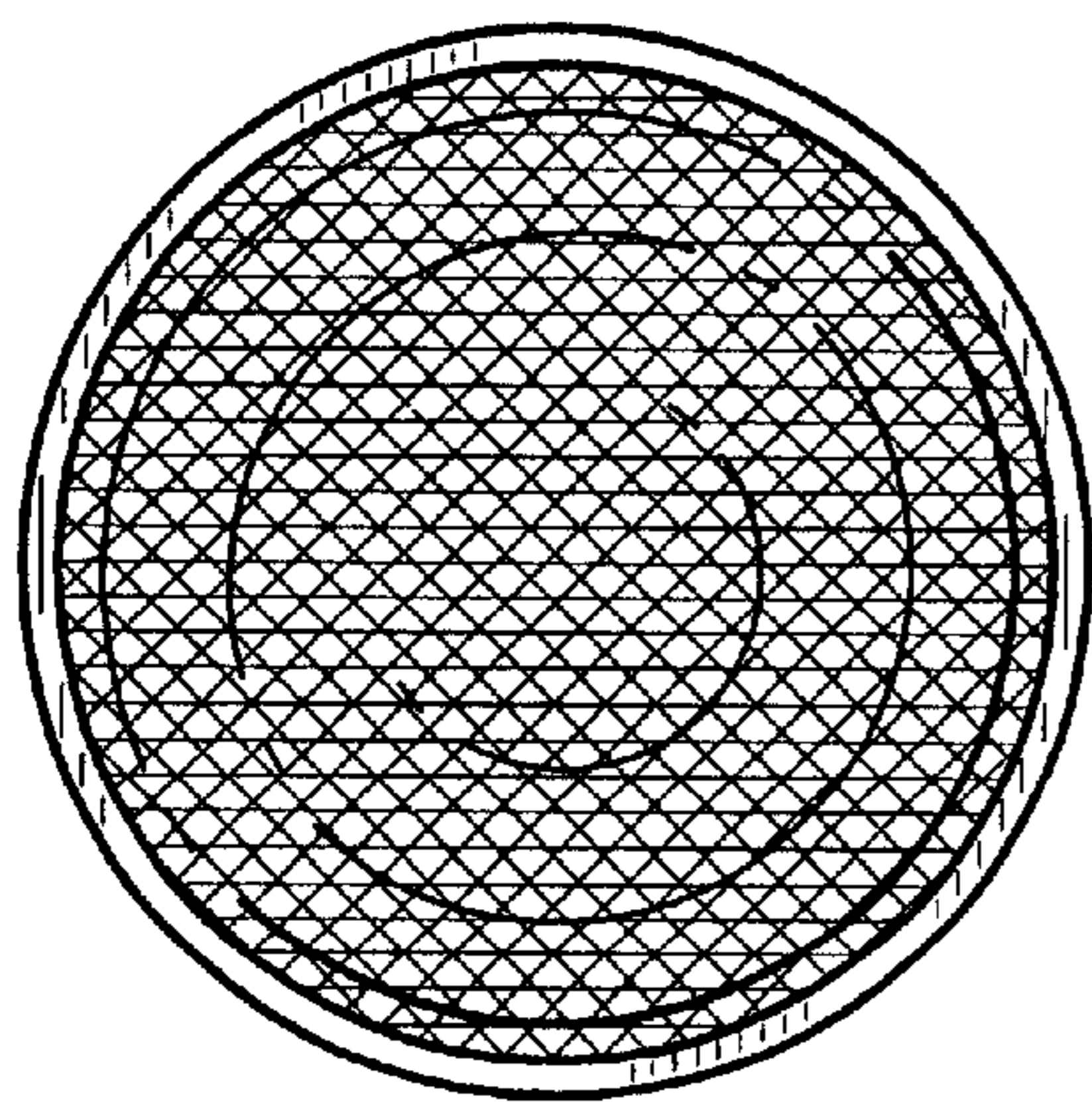


FIG. 3

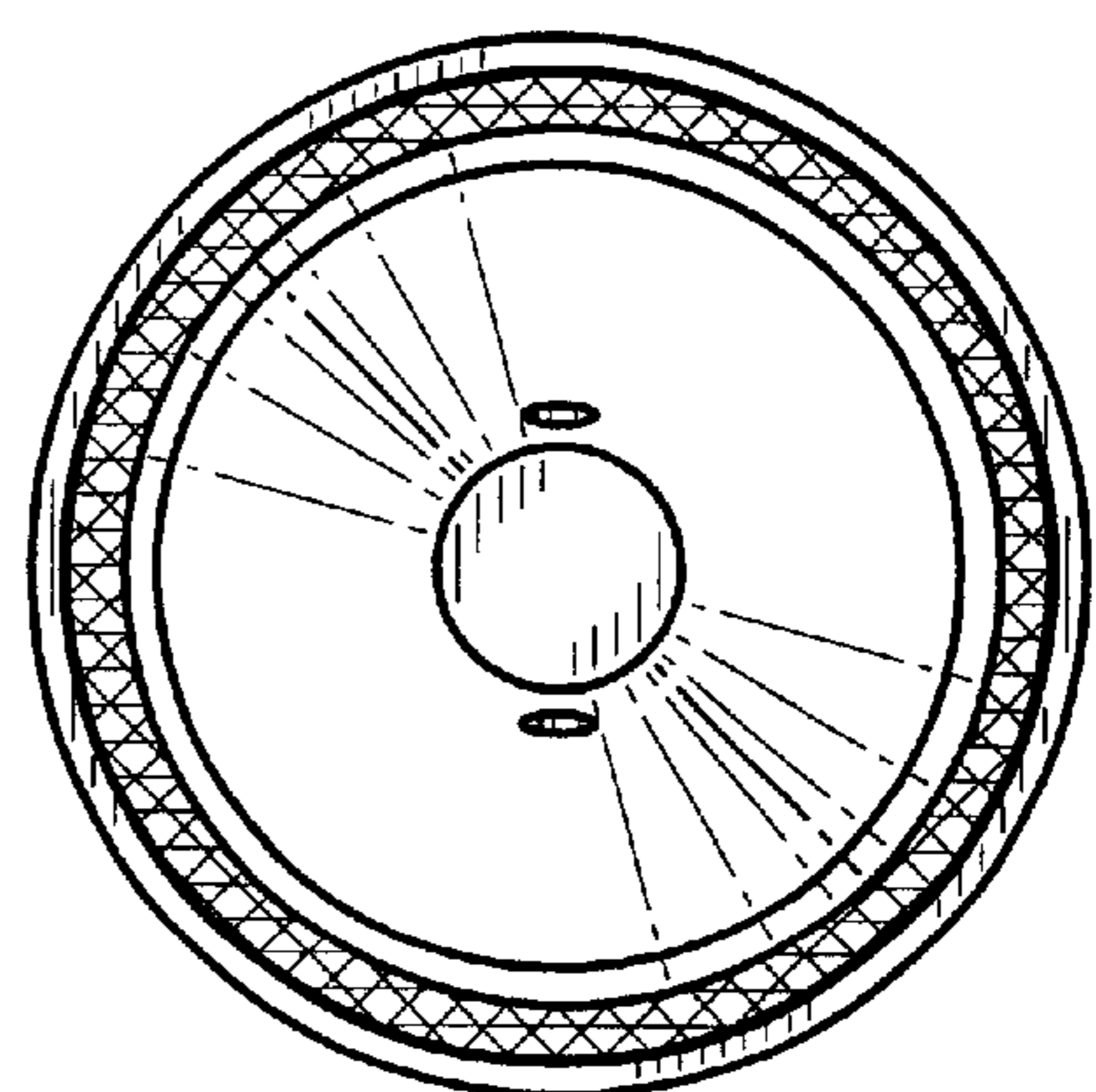


FIG. 4