



US00D450611B1

(12) **United States Design Patent**
Stewart et al.

(10) **Patent No.:** **US D450,611 S**

(45) **Date of Patent:** **** Nov. 20, 2001**

(54) **PROXIMITY DETECTOR**

(75) Inventors: **William J. Stewart**, Fenton; **David C. Macke, Sr.**, Glendale, both of MO (US)

(73) Assignee: **BECS Technology, Inc.**, St. Louis, MO (US)

(**) Term: **14 Years**

(21) Appl. No.: **29/116,802**

(22) Filed: **Jan. 11, 2000**

(51) **LOC (7) Cl.** **10-05**

(52) **U.S. Cl.** **D10/106**

(58) **Field of Search** D10/104, 106,
D10/109, 114, 121; 340/906, 907, 908,
908.1, 909, 910, 911, 915

(56) **References Cited**

U.S. PATENT DOCUMENTS

D. 369,561	5/1996	Green et al.	D10/46
D. 391,182	* 2/1998	Schneider et al.	D10/104
D. 411,123	* 6/1999	Fan	D10/104
D. 438,479	* 3/2001	Goetz et al.	D10/104

D. 440,169	* 4/2001	Fan	D10/104
4,345,167	8/1982	Calvin	307/308
4,580,049	4/1986	Janssen et al.	250/267
4,990,888	2/1991	Vogt et al.	340/506
5,523,608	6/1996	Kitaoka et al.	257/433
5,582,698	12/1996	Flaherty et al.	204/409
5,783,748	7/1998	Otani	73/493
5,832,772	11/1998	McEwan	73/290
5,874,679	2/1999	Sokn	73/706

* cited by examiner

Primary Examiner—Marcus A. Jackson

(74) *Attorney, Agent, or Firm*—Bryan Cave LLP

(57) **CLAIM**

The ornamental design for a proximity detector, as shown.

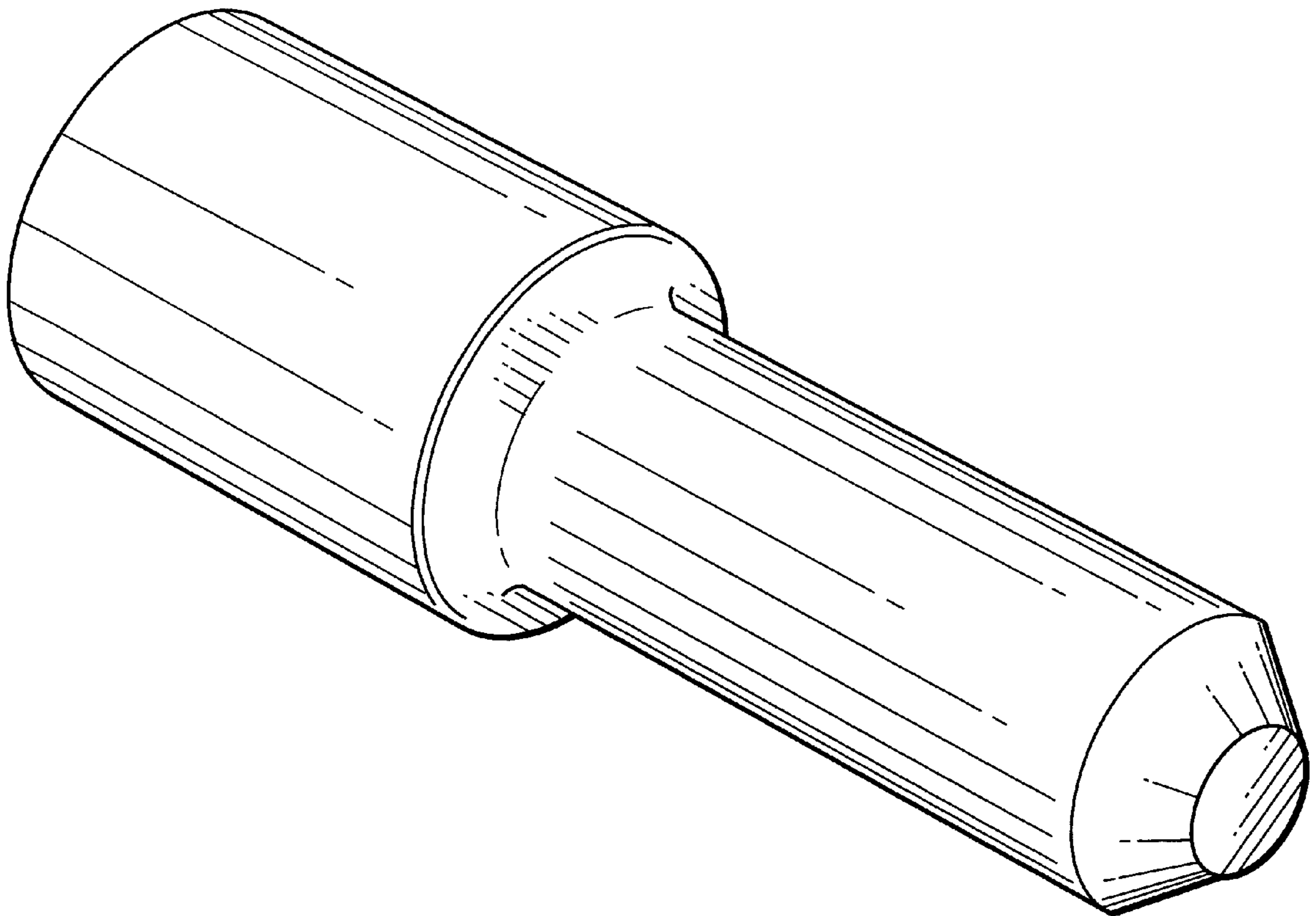
DESCRIPTION

FIG. 1 is a perspective view of a proximity detector showing our new design;

FIG. 2 is a front elevation view; and,

FIG. 3 is an end view taken along line 3—3 of FIGS. 1 and 2.

1 Claim, 1 Drawing Sheet



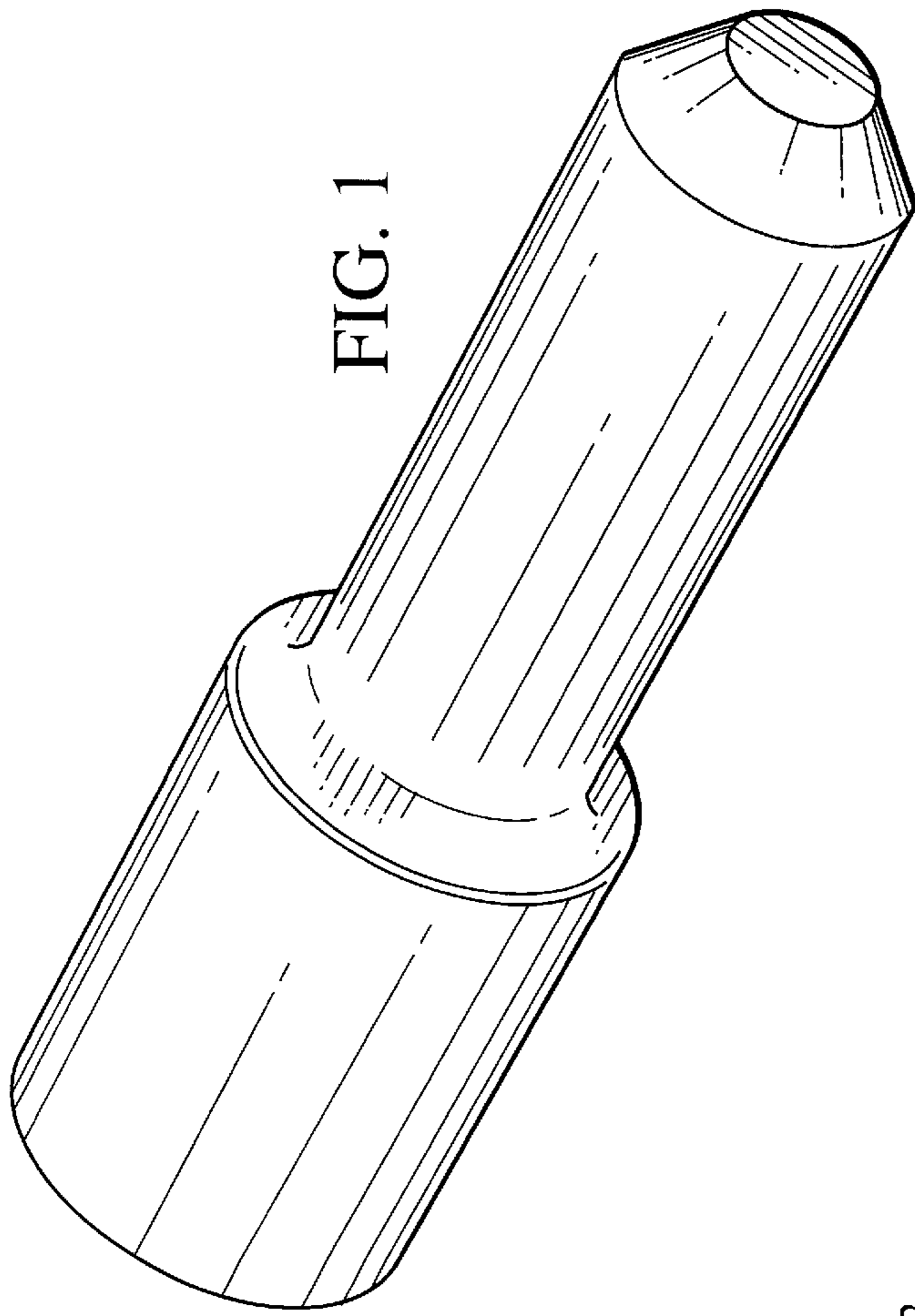


FIG. 1

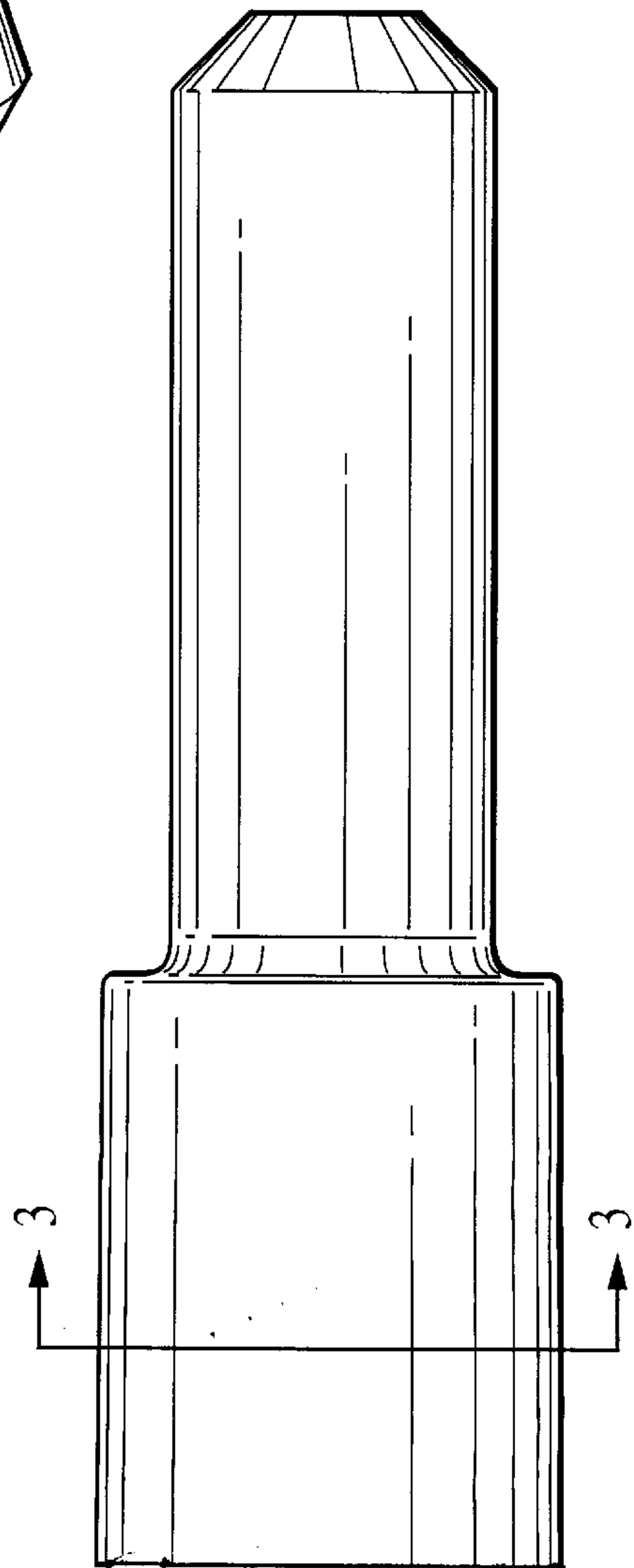


FIG. 2

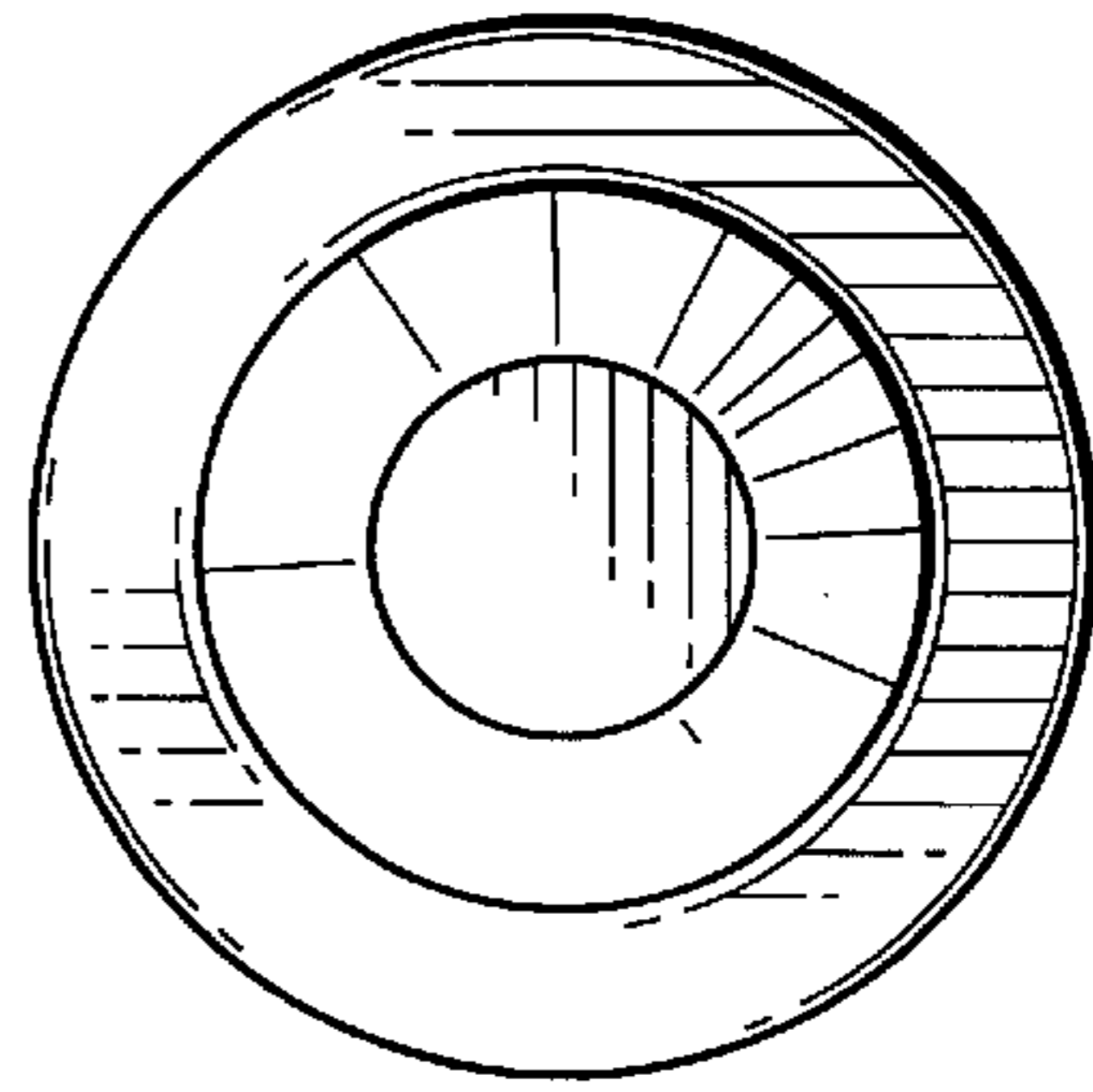


FIG. 3