



US00D450605B1

(12) **United States Design Patent**
Wright

(10) **Patent No.:** **US D450,605 S**

(45) **Date of Patent:** **** Nov. 20, 2001**

(54) **MEASURING CUP SET**

(75) **Inventor:** **Sabrena Wright, Bellevue, WA (US)**

(73) **Assignee:** **Progressive International Corp., Kent, WA (US)**

(**) **Term:** **14 Years**

(21) **Appl. No.:** **29/121,742**

(22) **Filed:** **Apr. 12, 2000**

(51) **LOC (7) Cl.** **10-04**

(52) **U.S. Cl.** **D10/46.3**

(58) **Field of Search** D10/46.2, 46.3;
D7/691, 692; 73/426-429; 294/55

(56) **References Cited**

U.S. PATENT DOCUMENTS

- D. 321,328 * 11/1991 Duquet D10/46.2
- D. 344,686 * 3/1994 Weterrings D10/46.2
- 3,526,138 * 9/1970 Swett et al. 73/426

* cited by examiner

Primary Examiner—Terry A. Wallace

(74) *Attorney, Agent, or Firm*—John R. Benefiel

(57) **CLAIM**

The ornamental design for a measuring cup set, as shown and described.

DESCRIPTION

FIG. 1 is a perspective view of a measuring cup set according to the present invention.

FIG. 2 is a perspective view of the measuring cup set shown in FIG. 1 with the cups separated and one of the cups detached.

FIG. 3 is a top view of the measuring cup set shown in FIGS. 1 and 2.

FIG. 4 is a bottom view of the measuring cup set shown in FIGS. 1-3.

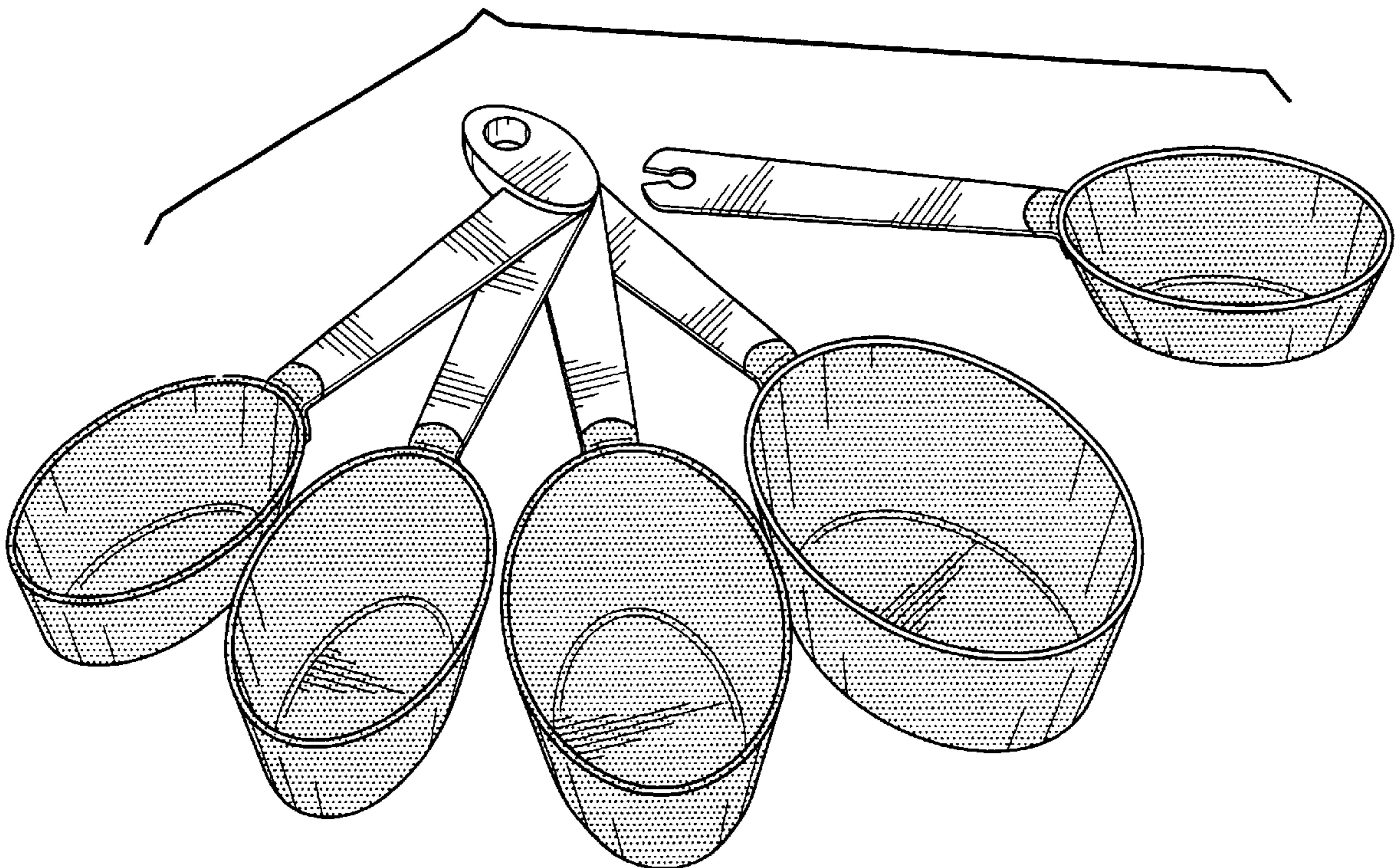
FIG. 5 is a right side view of the measuring cup set shown in FIGS. 1-4.

FIG. 6 is a left side view of the measuring cup set shown in FIGS. 1-5.

FIG. 7 is a front view of the measuring cup set shown in FIGS. 1-6; and,

FIG. 8 is a rear view of the measuring cup set shown in FIGS. 1-7.

1 Claim, 3 Drawing Sheets



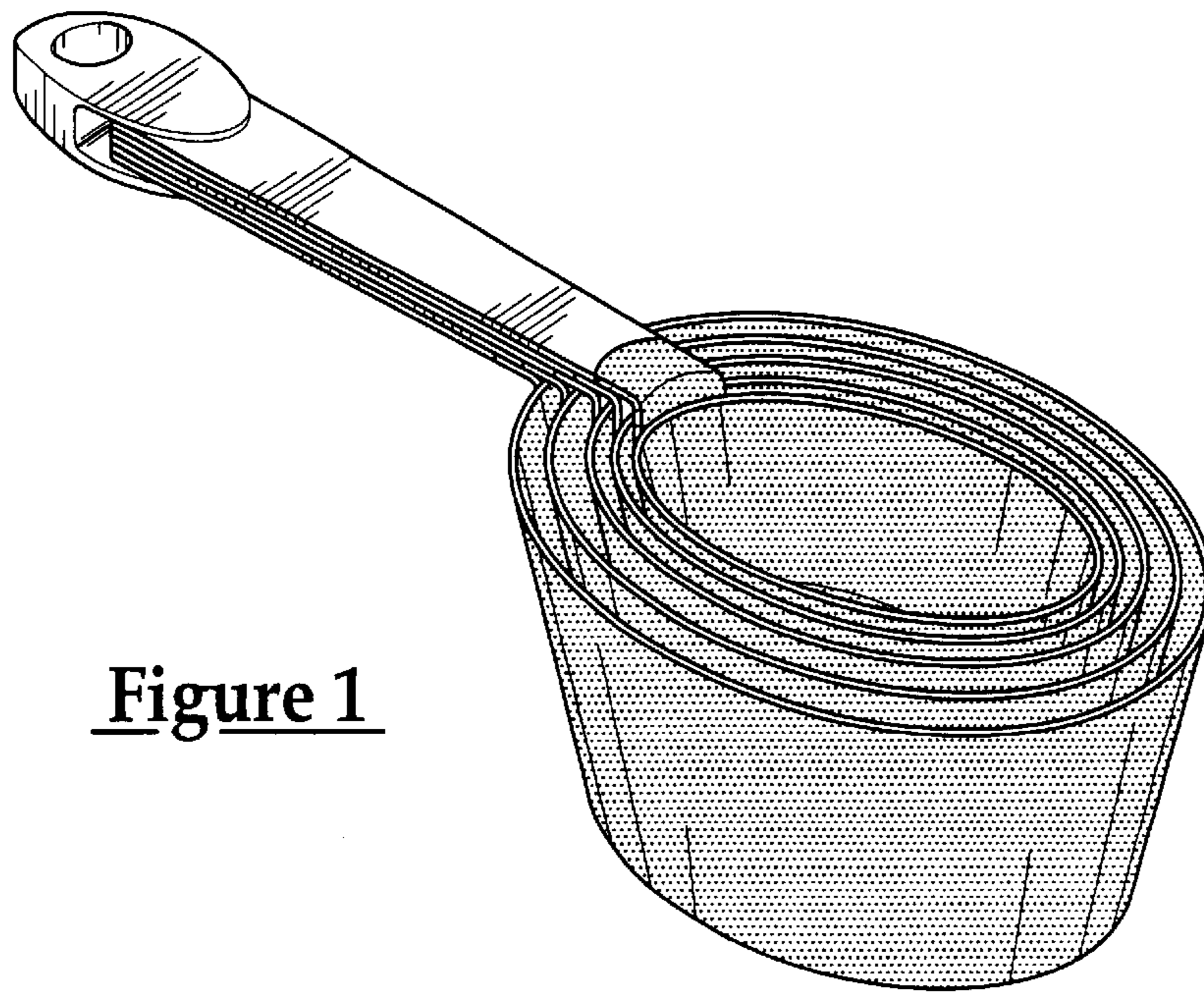


Figure 1

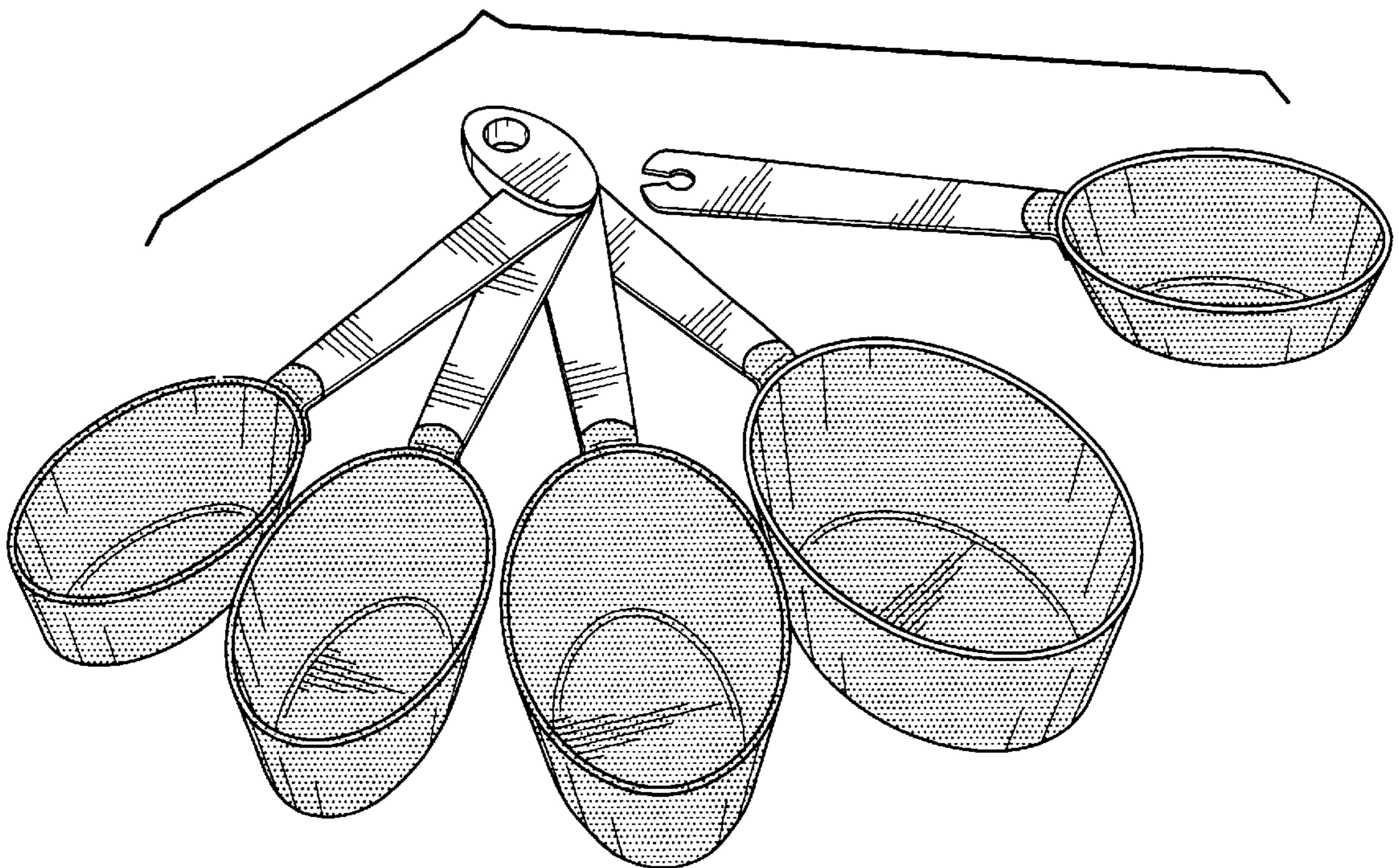


Figure 2

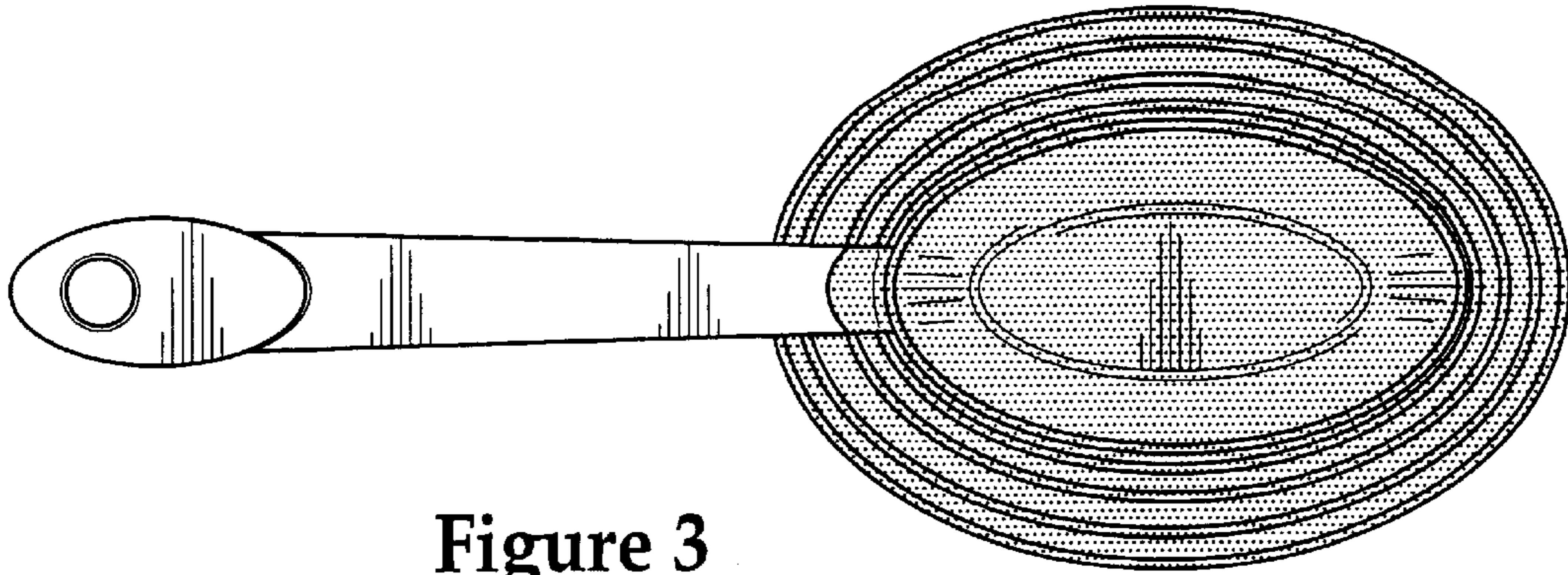


Figure 3

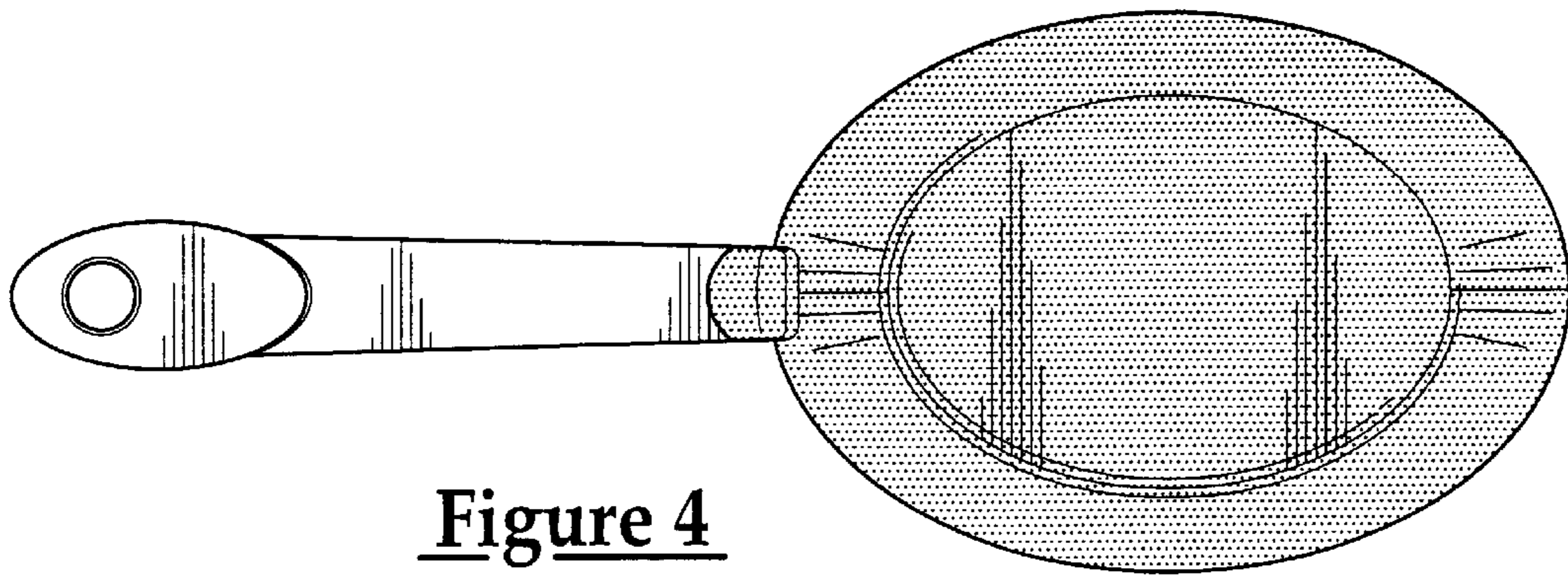


Figure 4

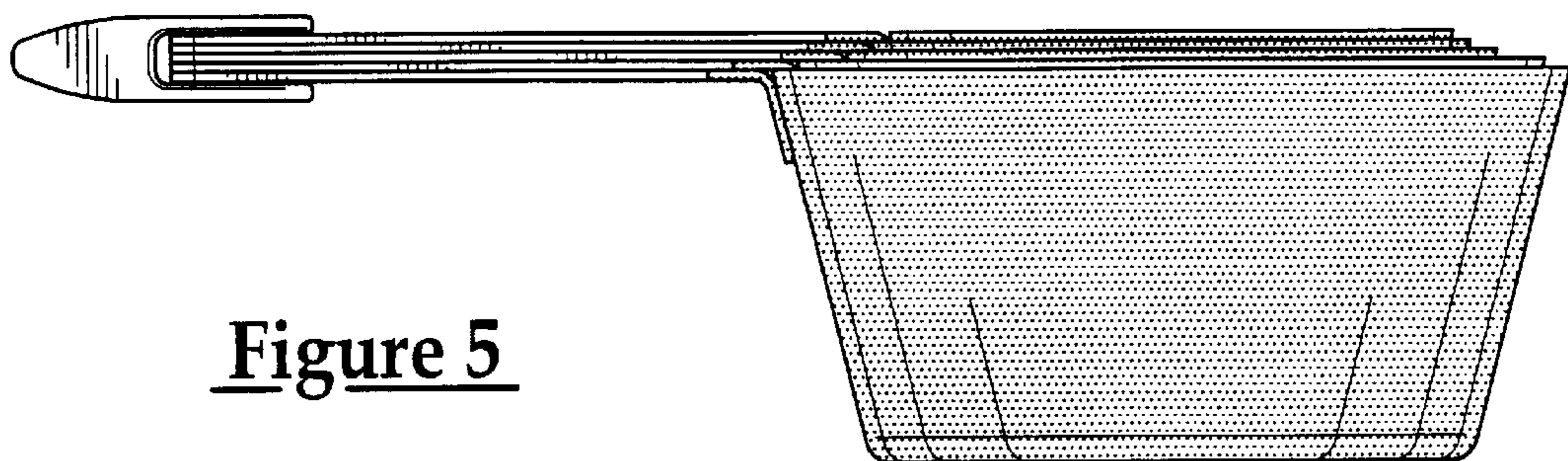


Figure 5

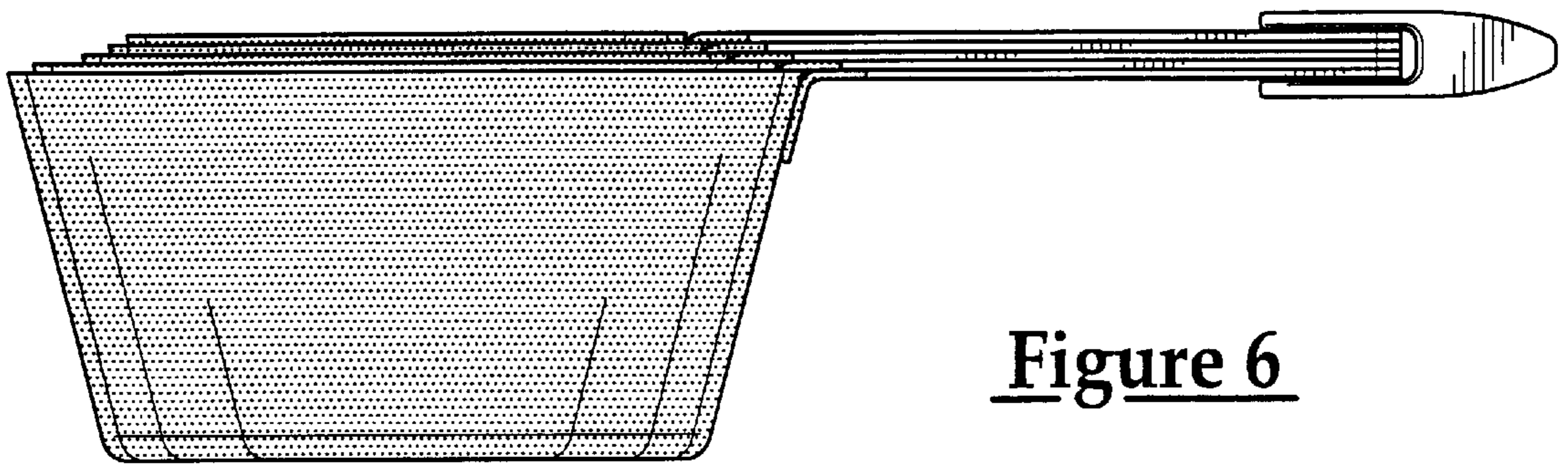


Figure 6

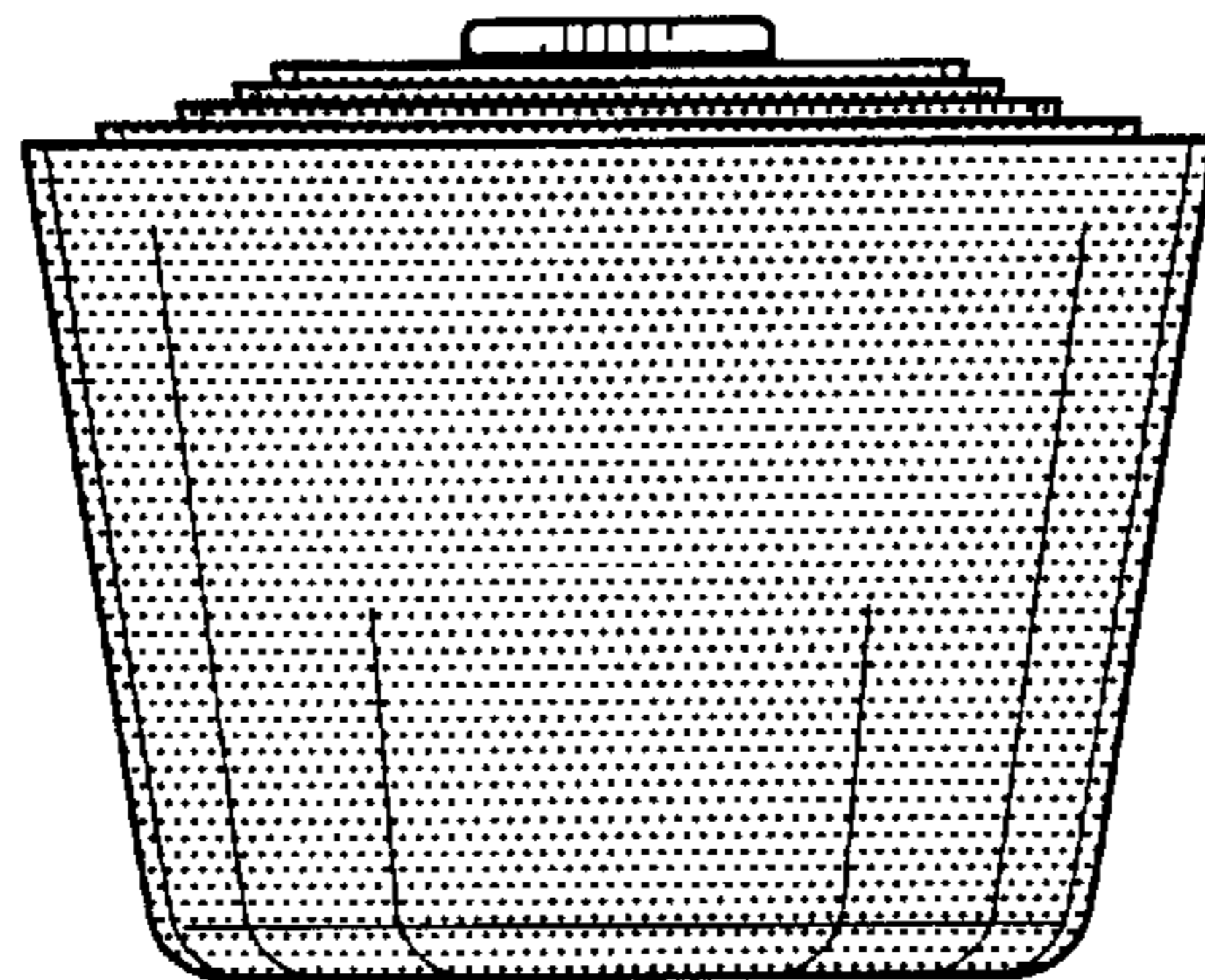


Figure 7

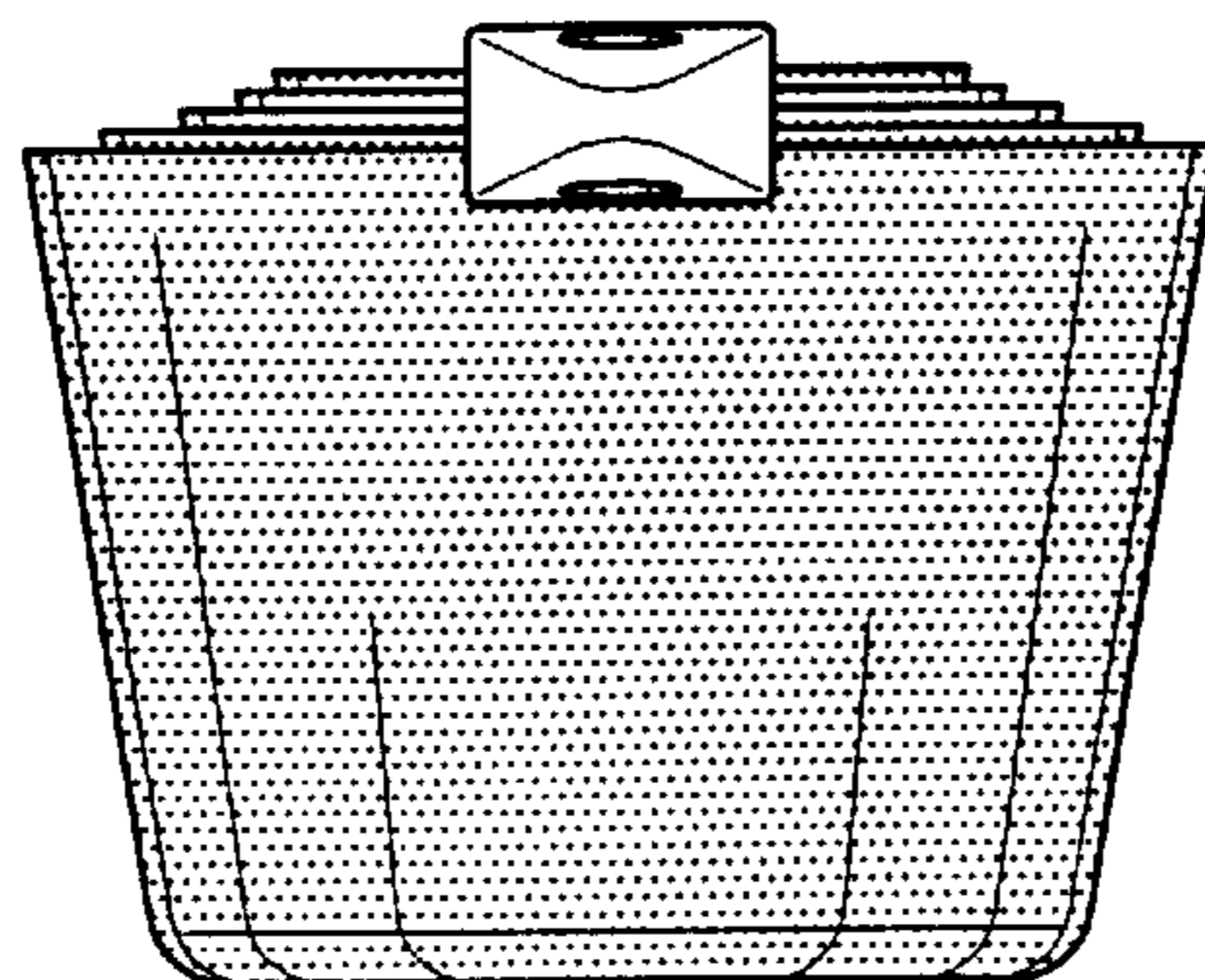


Figure 8