



US00D450591B1

(12) **United States Design Patent**
Escolà Gallart et al.

(10) **Patent No.: US D450,591 S**

(45) **Date of Patent: ** Nov. 20, 2001**

- (54) **TRANSPARENT PACKAGE FOR CONFECTIONARY**
- (75) Inventors: **Ramón Escolà Gallart**, S. Cugat del Vallès; **Ramón Bayès Turull**, Barcelona, both of (ES)
- (73) Assignee: **Zeta Espacial, S.A.**, Barcelona (ES)
- (**) Term: **14 Years**
- (21) Appl. No.: **29/129,824**
- (22) Filed: **Sep. 21, 2000**
- (30) **Foreign Application Priority Data**
Mar. 21, 2000 (GB) 2091571
- (51) **LOC (7) Cl.** **09-03**
- (52) **U.S. Cl.** **D9/504; D9/339; D28/88**
- (58) **Field of Search** D1/102, 105, 127, D1/199; 206/771, 775, 776, 781; 229/162; 426/91, 106, 115, 134; D9/500, 504, 529, 414, 418, 337, 339; D28/88, 89

- (56) **References Cited**
U.S. PATENT DOCUMENTS
D. 250,556 * 12/1978 Shorin et al. D1/102
D. 302,054 * 7/1989 Cardia D28/88
D. 315,095 * 3/1991 Wright D9/503
D. 318,222 * 7/1991 Hsiung D9/307
D. 344,107 * 2/1994 Tse D21/512
D. 357,584 * 4/1995 Swingler D3/300

- D. 378,057 * 2/1997 Dikowitz D9/418
- D. 391,100 * 2/1998 Hawkersmith D6/472
- D. 403,579 * 1/1999 Gallart et al. D9/418
- D. 421,156 * 2/2000 Coates et al. D28/76
- D. 425,257 * 5/2000 Acker et al. D28/85
- D. 425,411 * 5/2000 May D9/339
- D. 435,441 * 12/2000 Yoon D9/339
- D. 437,219 * 2/2001 Gallart et al. D9/428
- D. 441,145 * 4/2001 Chang D28/88
- 4,984,919 * 1/1991 Hultgren 401/78
- 5,876,137 * 3/1999 Byrd 401/78
- 5,934,815 * 8/1999 Hurlburt 401/81
- 6,187,350 * 2/2001 Gallart et al. 426/91
- 6,221,407 * 4/2001 Gallart et al. 426/91

* cited by examiner

Primary Examiner—Philip S. Hyder

Assistant Examiner—Carol Rademaker

(74) *Attorney, Agent, or Firm*—Steinberg & Raskin, P.C.

(57) **CLAIM**

I claim the ornamental design for a transparent package for confectionary, as shown and described.

DESCRIPTION

FIG. 1 is a perspective view of a transparent package for confectionary showing the new design;

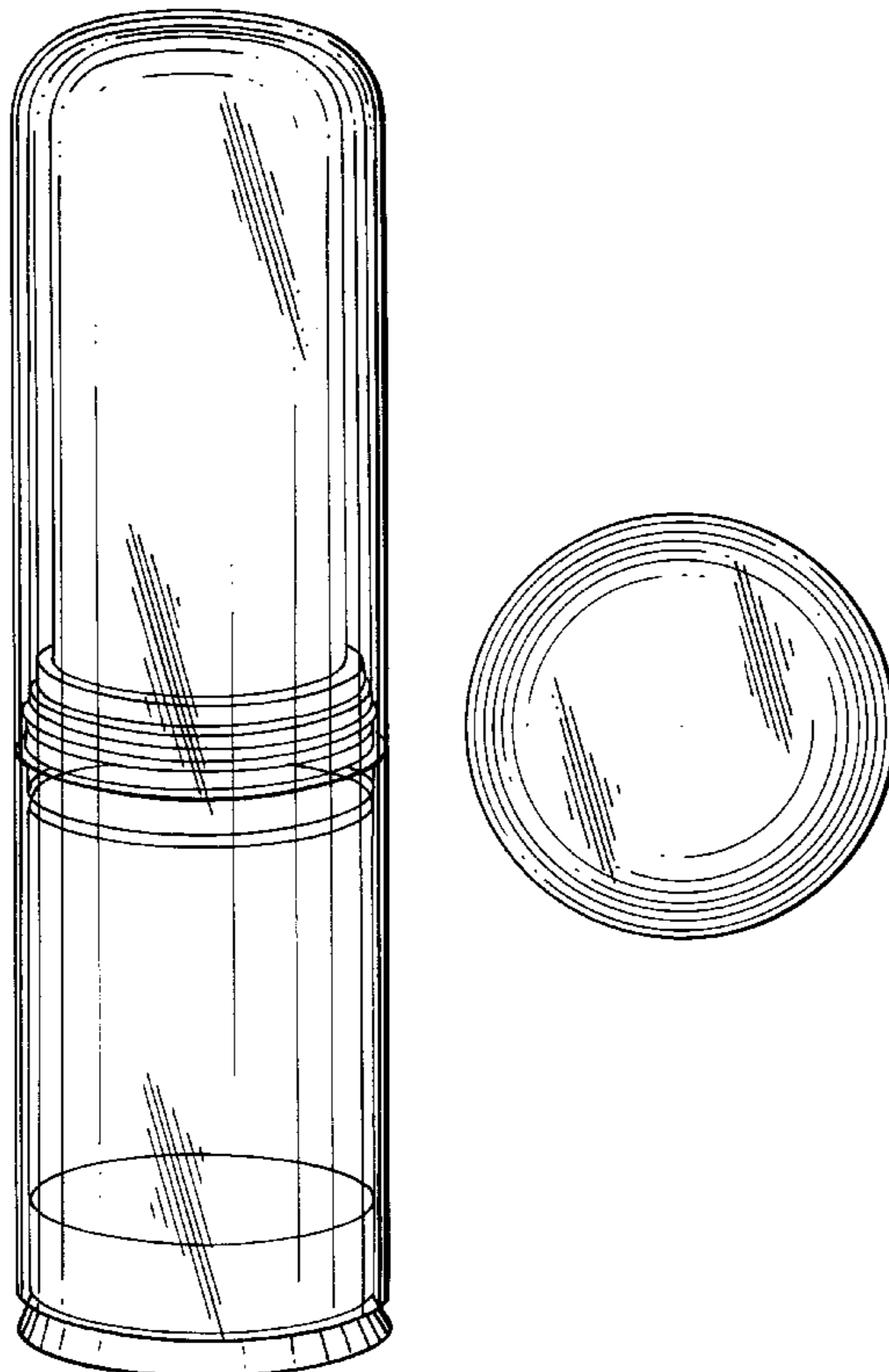
FIG. 2 is a top plan view thereof;

FIG. 3 is a side elevation view thereof; and,

FIG. 4 is a bottom plan view thereof.

It is noted that all of the side views of the claimed transparent package for confectionary are identical.

1 Claim, 2 Drawing Sheets



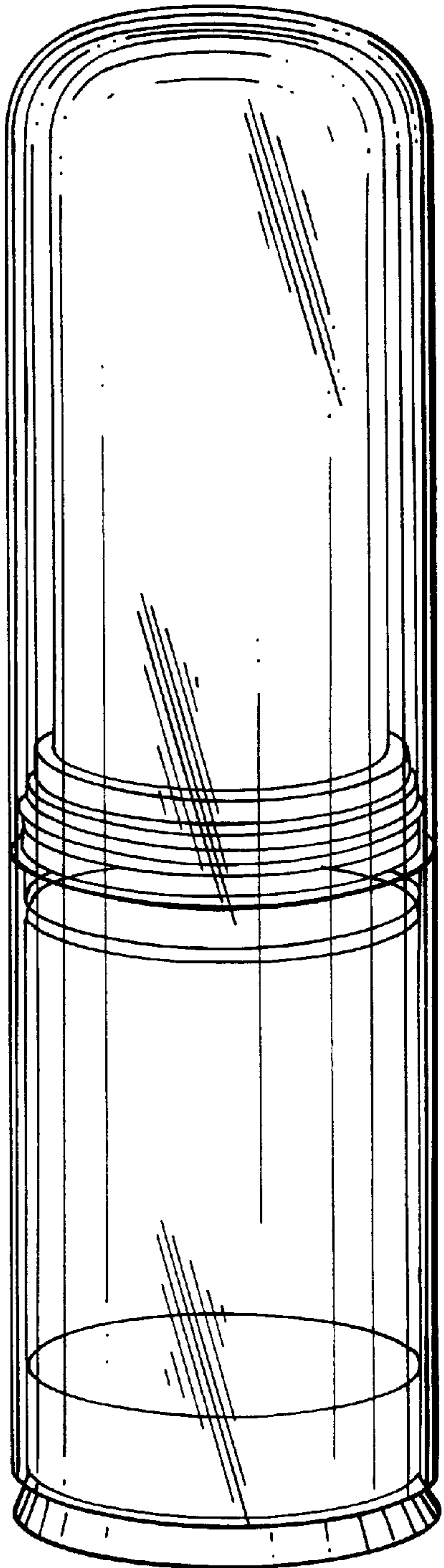


FIG. 1

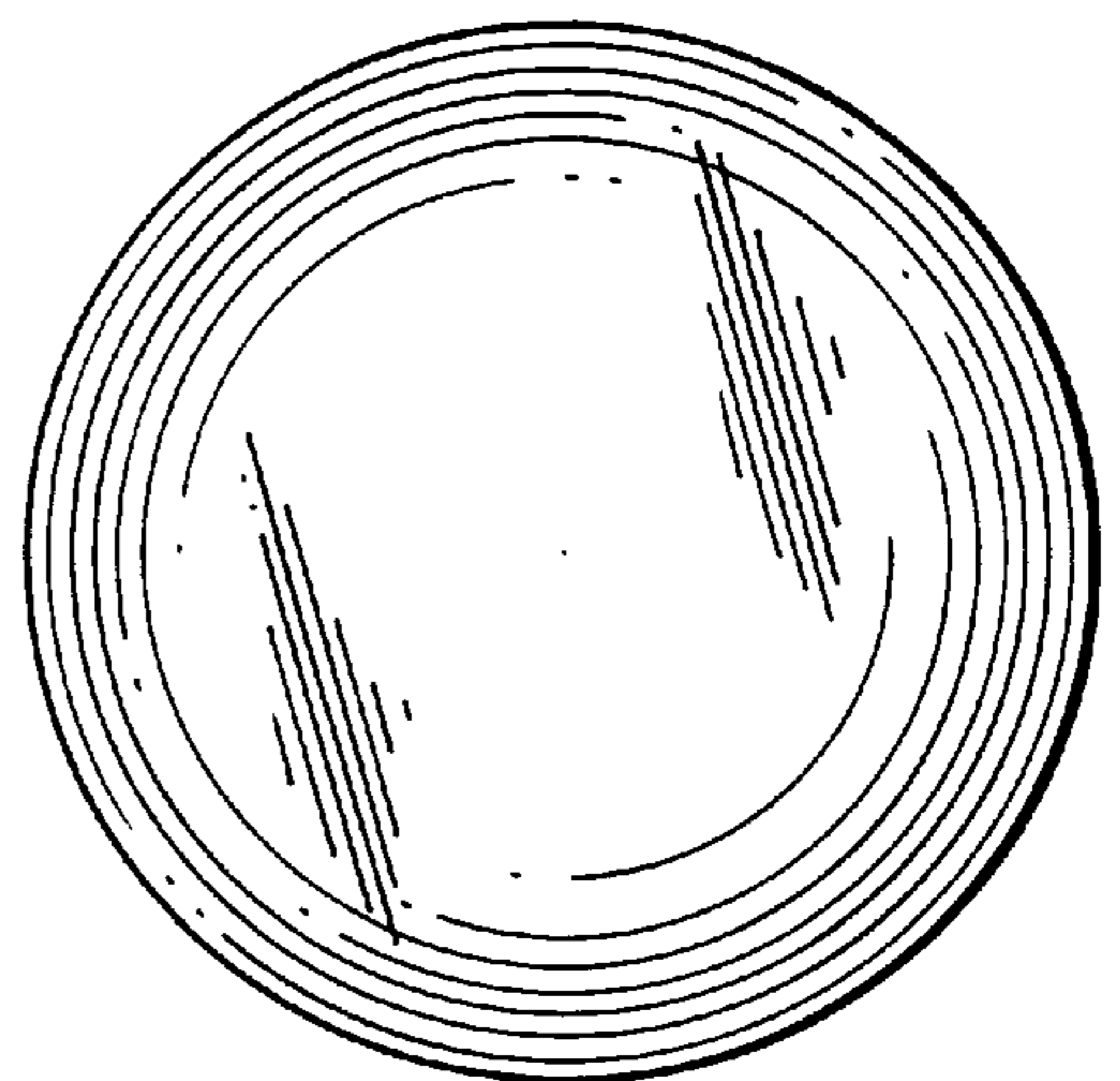


FIG. 2

FIG. 3

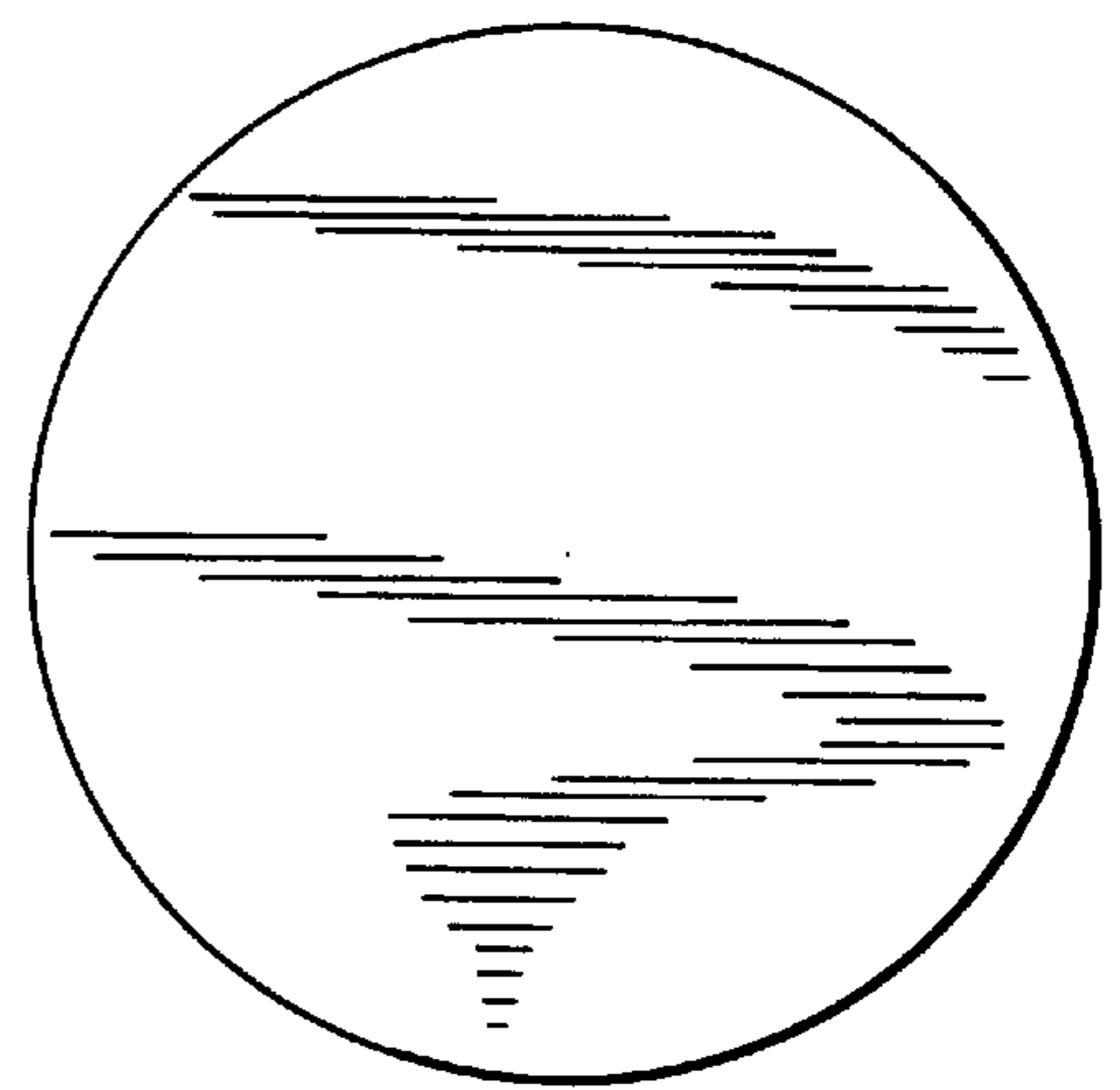
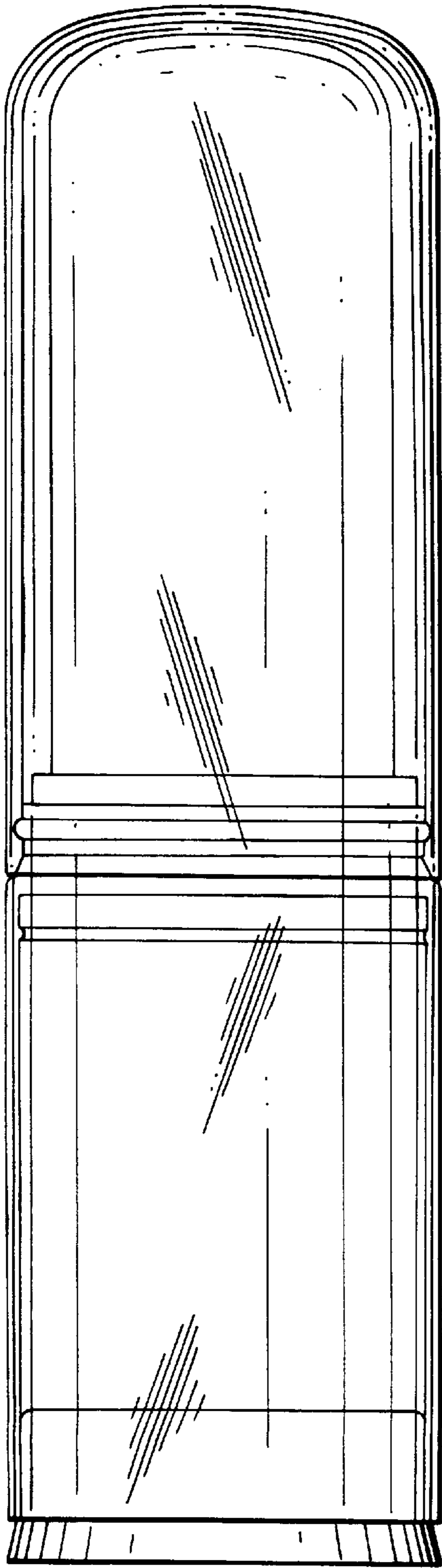


FIG. 4