



US00D450589B1

(12) **United States Design Patent**
Haake et al.

(10) **Patent No.:** **US D450,589 S**

(45) **Date of Patent:** **** Nov. 20, 2001**

(54) **BEVERAGE BOTTLE**

(75) Inventors: **Joseph R. Haake**, Broomfield; **Patrick B. Edson**, Lakewood; **Steph H. Goss**, Aurora, all of CO (US)

(73) Assignee: **Coors Brewing Company**, Golden, CO (US)

(**) Term: **14 Years**

(21) Appl. No.: **29/111,272**

(22) Filed: **Sep. 23, 1999**

(51) **LOC (7) Cl.** **09-01**

(52) **U.S. Cl.** **D9/502**

(58) **Field of Search** D9/307, 500, 502, D9/503, 504, 516, 529, 530, 537, 538, 539, 541, 549, 556, 557, 558, 559, 574; 206/457; 215/379, 382, 400

(56) **References Cited**

U.S. PATENT DOCUMENTS

- D. 121,707 * 7/1940 Vogel et al. D9/502
- D. 328,430 * 8/1992 Miller D9/502
- D. 366,209 * 1/1996 Farlander et al. D9/307

- D. 374,176 * 10/1996 Sillince et al. D9/337
- D. 395,002 * 6/1998 Monahan D9/307
- D. 401,856 * 12/1998 Daniels D9/538
- D. 407,648 * 4/1999 Glaser et al. D9/500
- D. 414,699 * 10/1999 Alt D9/502
- D. 422,490 * 4/2000 Nemeth et al. D9/307

* cited by examiner

Primary Examiner—James Gandy

Assistant Examiner—Selina Sikder

(74) *Attorney, Agent, or Firm*—Klaas, Law, O’Meara & Malkin, P.C.; William P. O’Meara, Esq.

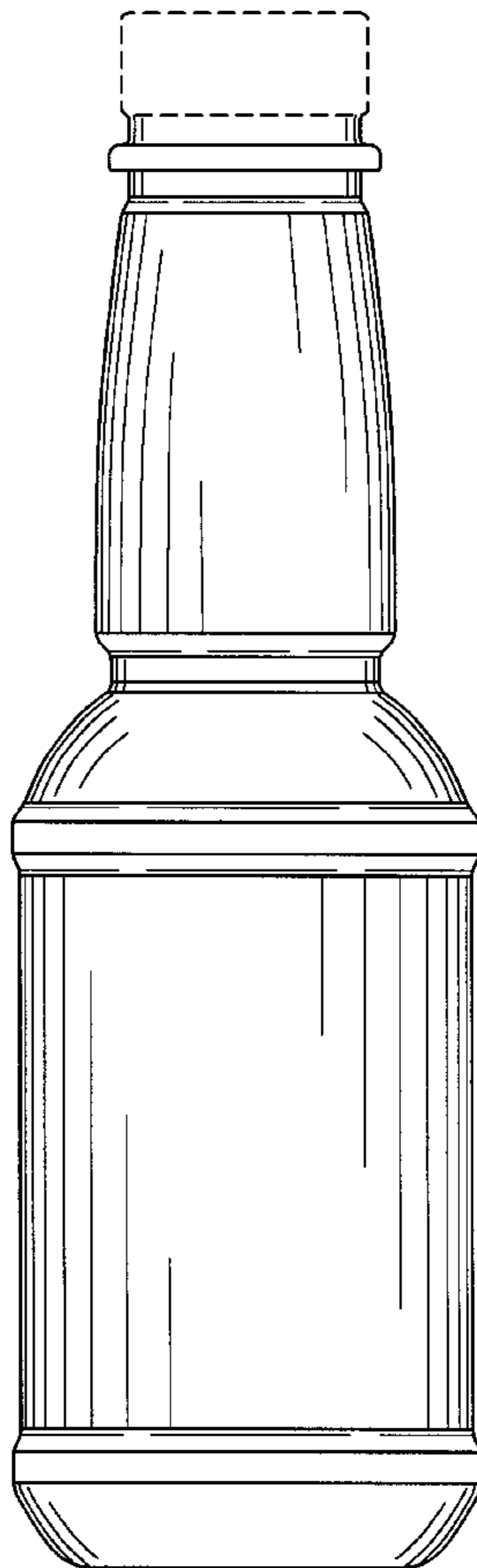
(57) **CLAIM**

The ornamental design for a beverage bottle, as shown and described.

DESCRIPTION

FIG. 1 is a front elevation view of a beverage bottle showing our new design;
 FIG. 2 is a back elevation view thereof;
 FIG. 3 is a left elevation view thereof;
 FIG. 4 is a right elevation view thereof;
 FIG. 5 is a top plan view thereof; and,
 FIG. 6 is a bottom plan view thereof.

1 Claim, 3 Drawing Sheets



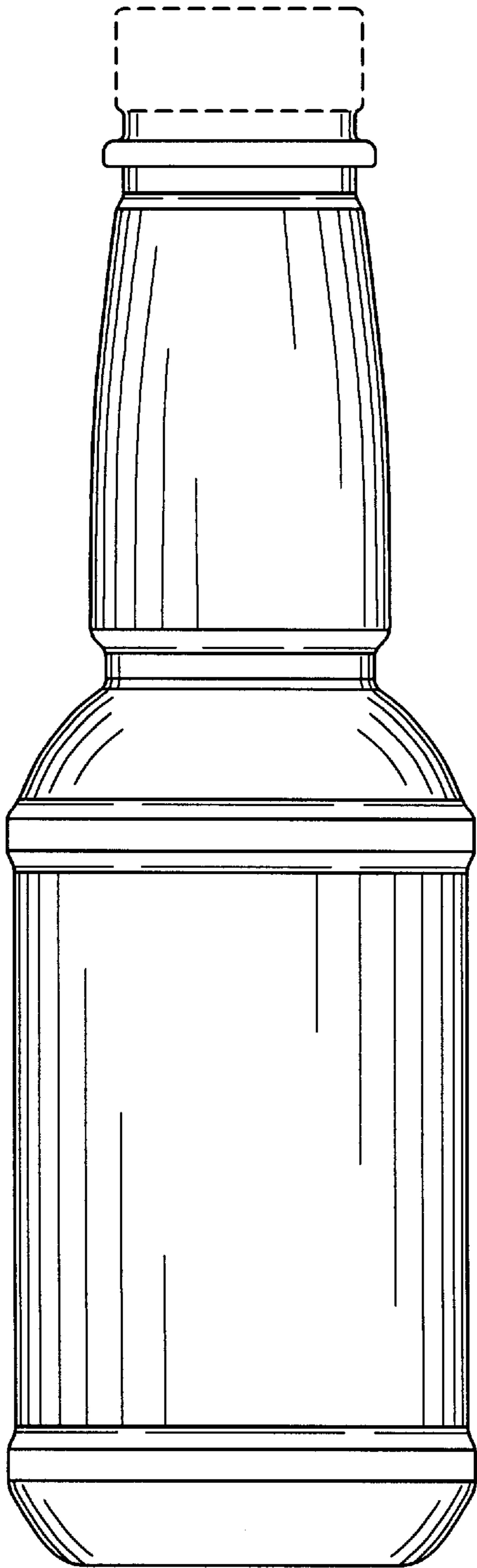


FIG. 1

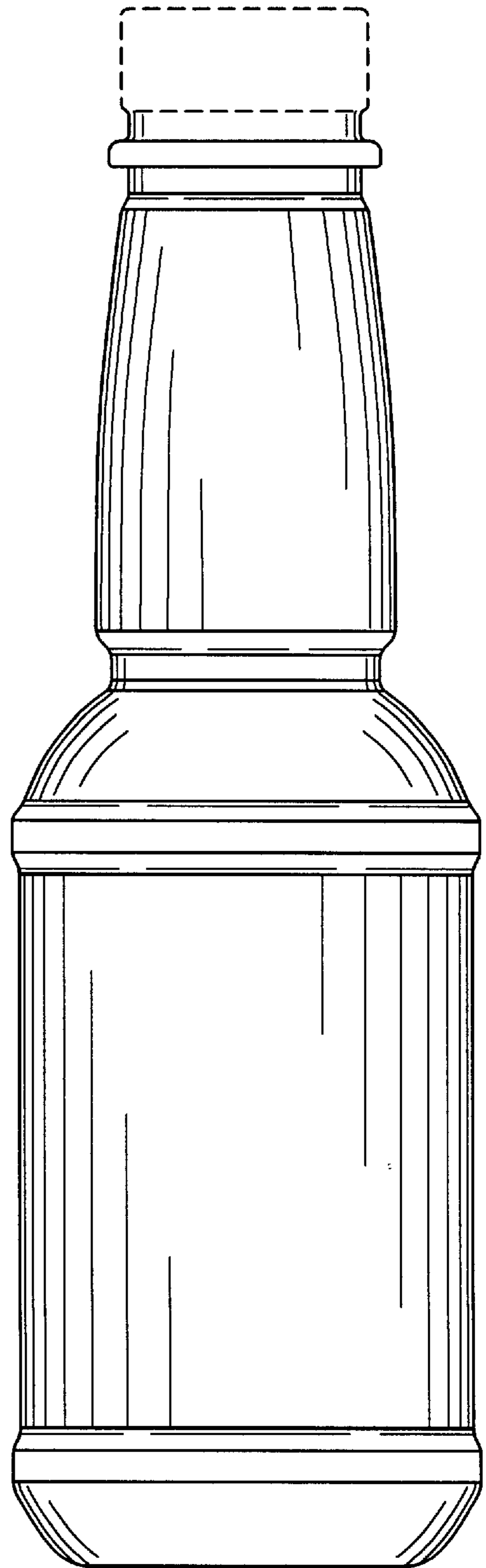


FIG. 2

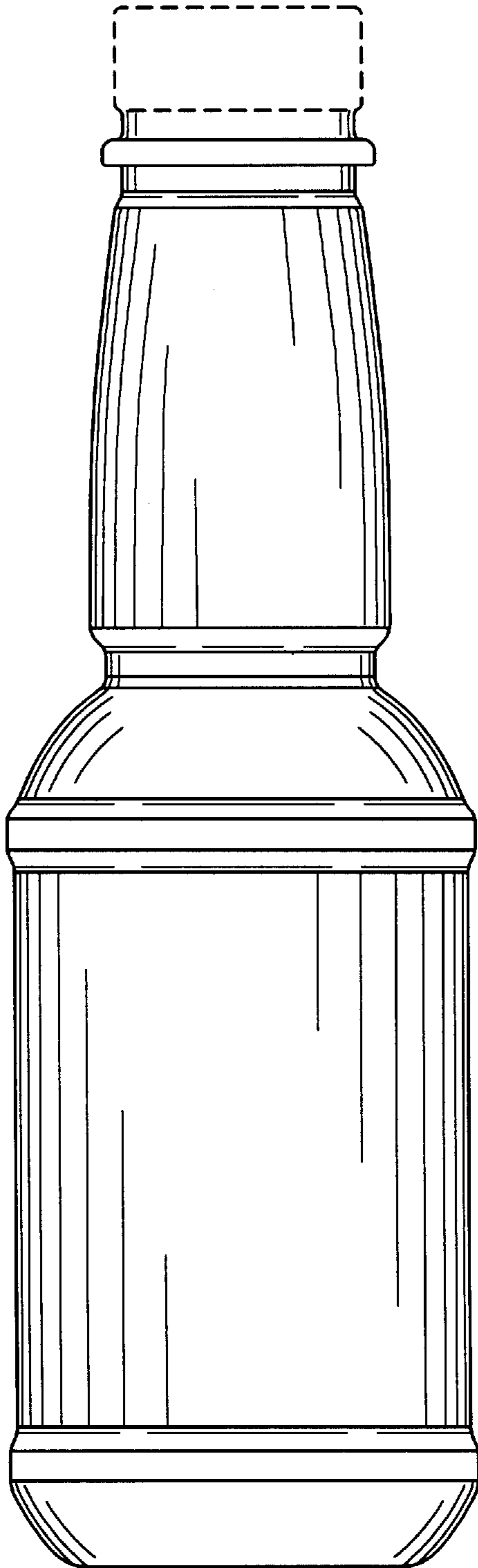


FIG. 3

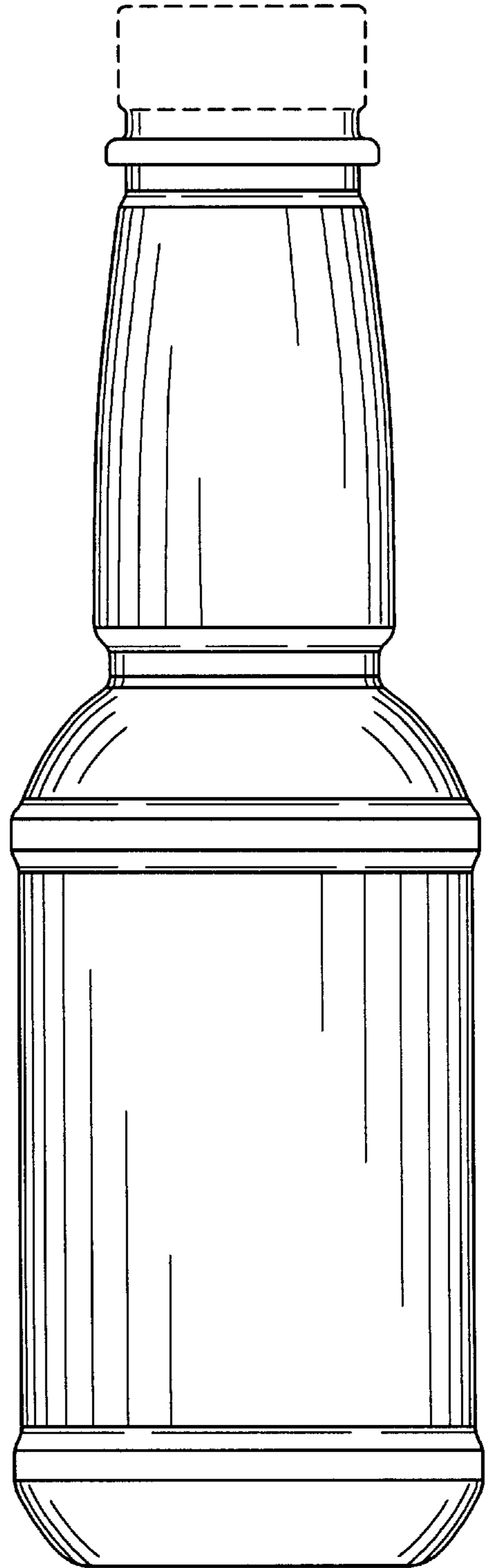


FIG. 4

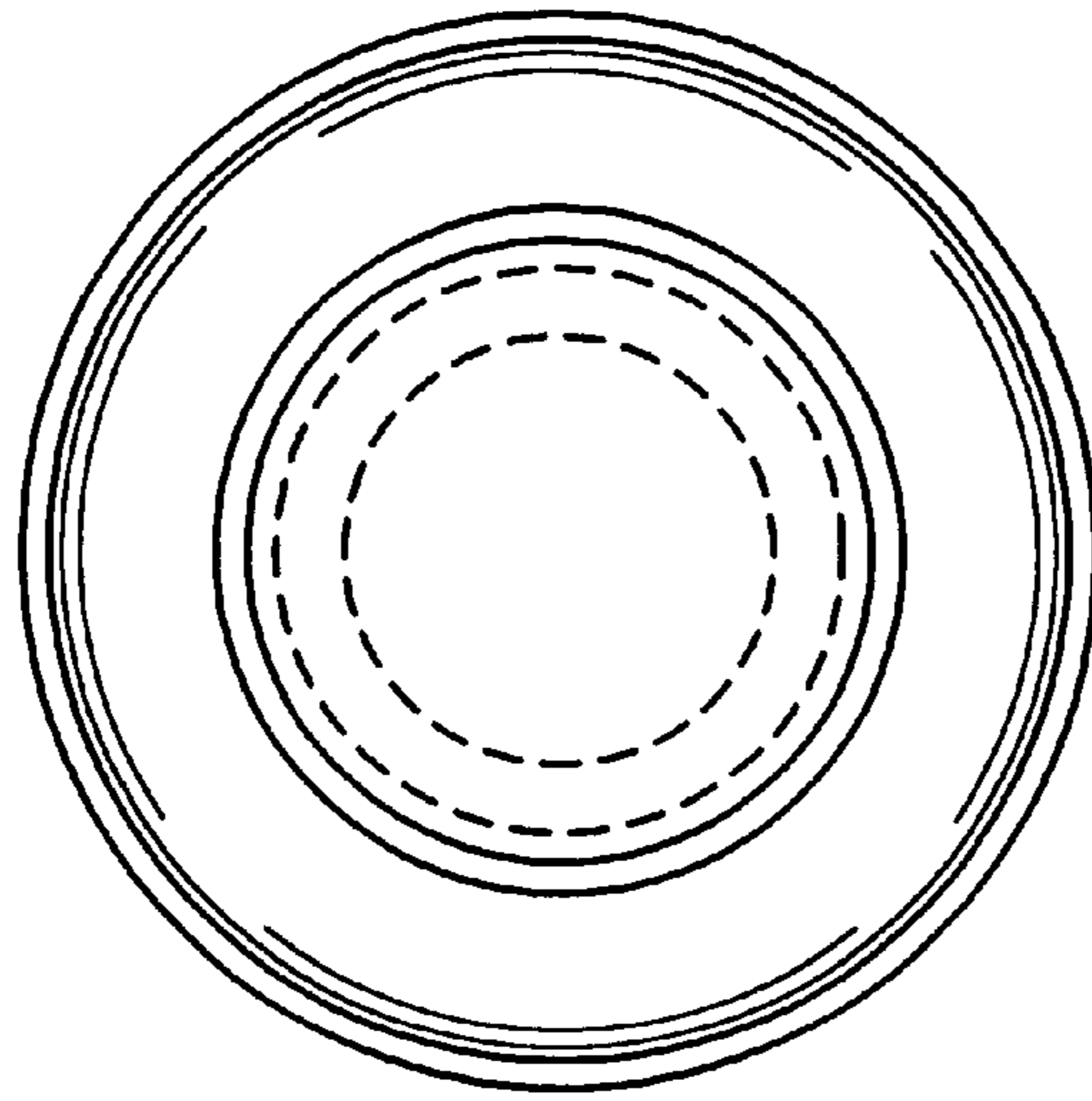


FIG. 5

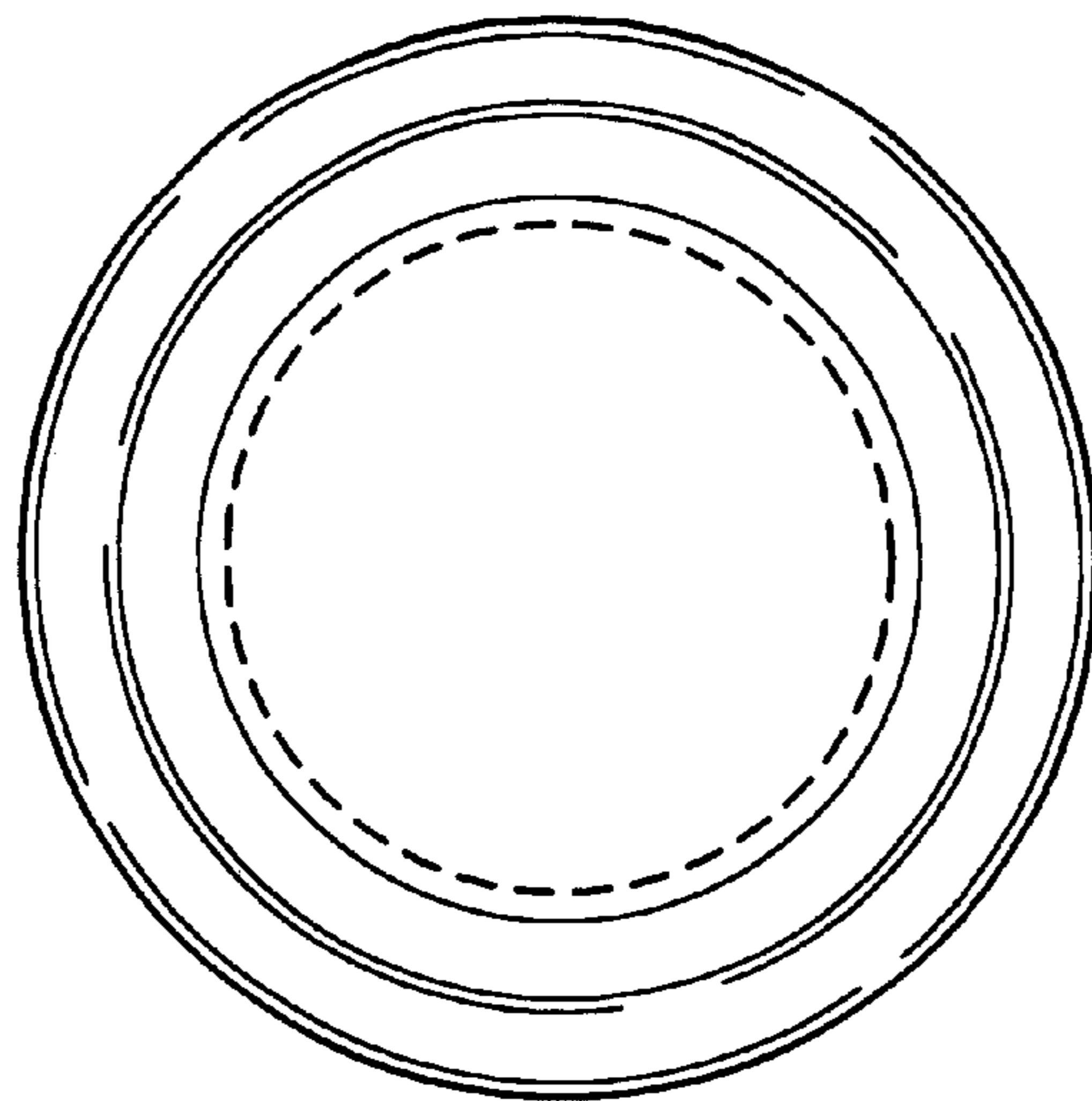


FIG. 6