



US00D450585B1

(12) **United States Design Patent**
Kamata

(10) **Patent No.:** **US D450,585 S**

(45) **Date of Patent:** **** Nov. 20, 2001**

(54) **CAP**

(75) **Inventor:** **Shozo Kamata, Kyoto (JP)**

(73) **Assignee:** **SmithKline Beecham p.l.c., Brentford (GB)**

(**) **Term:** **14 Years**

(21) **Appl. No.:** **29/130,160**

(22) **Filed:** **Sep. 27, 2000**

(30) **Foreign Application Priority Data**

Mar. 27, 2000 (GB) 2091677

(51) **LOC (7) Cl.** **09-07**

(52) **U.S. Cl.** **D9/449**

(58) **Field of Search** D9/447, 449, 450,
D9/442, 302; 215/235, 236; 220/244; 222/556,
557, 562, 563

(56) **References Cited**

U.S. PATENT DOCUMENTS

- D. 298,014 * 10/1988 McGlyn D9/446
- D. 413,064 * 8/1999 Bansal D9/449
- D. 424,422 * 5/2000 Landhed D9/302
- D. 438,799 * 3/2001 Anderson D9/449

- D. 440,494 * 4/2001 Sagel et al. D9/450
- 4,778,071 * 10/1988 Fillmore 222/556 X
- 4,801,054 * 1/1989 Nycz 222/556 X
- 5,065,911 * 11/1991 Rohr et al. 222/556 X
- 5,702,033 * 12/1997 Beaver 222/556 X
- 5,967,384 * 10/1999 Mengeu et al. 222/556 X
- 6,170,683 * 1/2001 Montgomery 222/556

* cited by examiner

Primary Examiner—Cathron C. Brooks

(74) *Attorney, Agent, or Firm*—Nora Stein-Fernandez;
Stephen A. Venetianer; Charles M. Kinzig

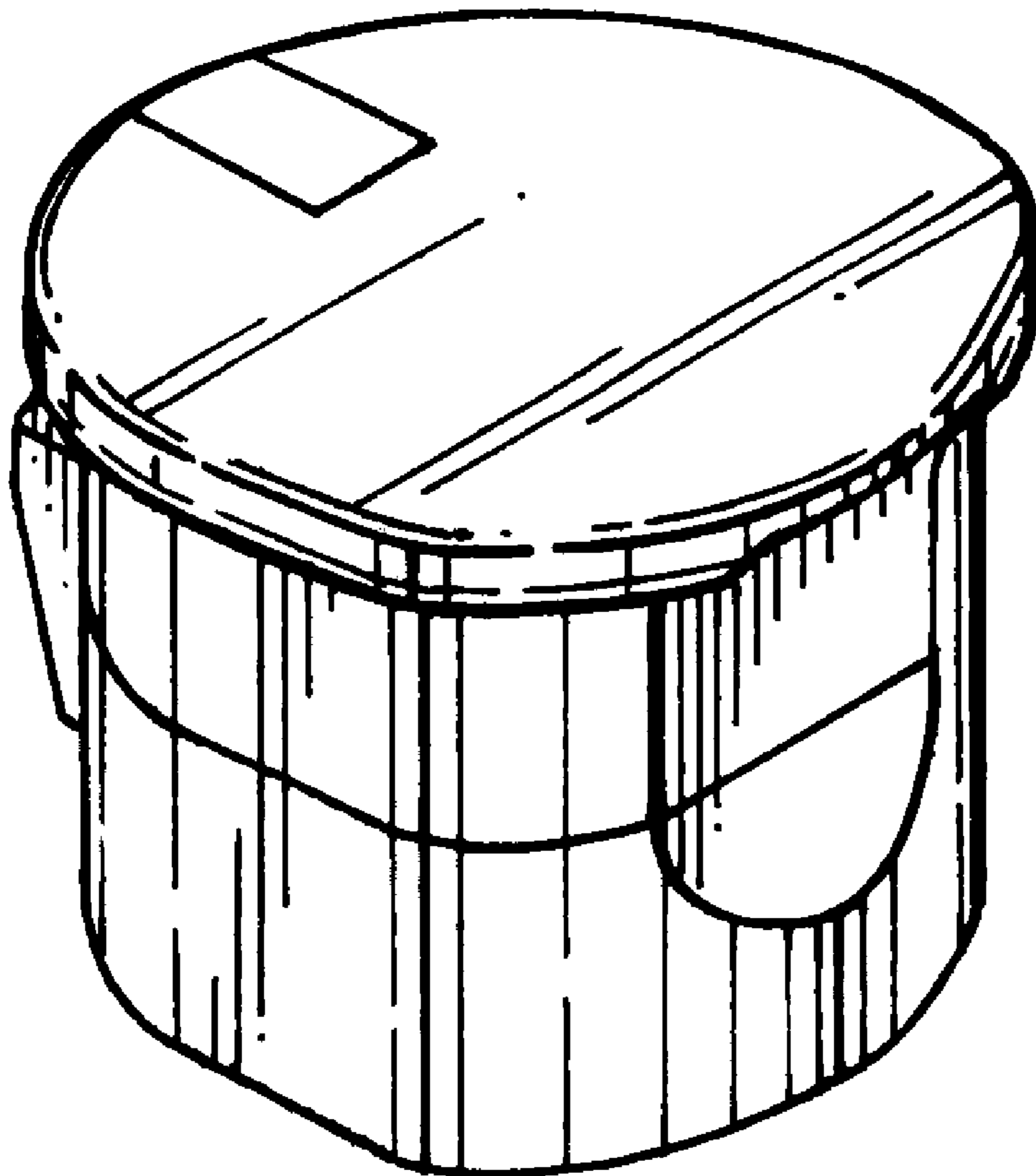
(57) **CLAIM**

The ornamental design for a cap, as shown and described.

DESCRIPTION

FIG. 1 is a front perspective view from above and one side of the cap;
 FIG. 2 is a view of the other side of the cap;
 FIG. 3 is a rear view of the cap;
 FIG. 4 is a top plan view of the cap;
 FIG. 5 is an underneath plan view of the cap; and,
 FIG. 6 is a front perspective view with the cap in the open position.

1 Claim, 2 Drawing Sheets



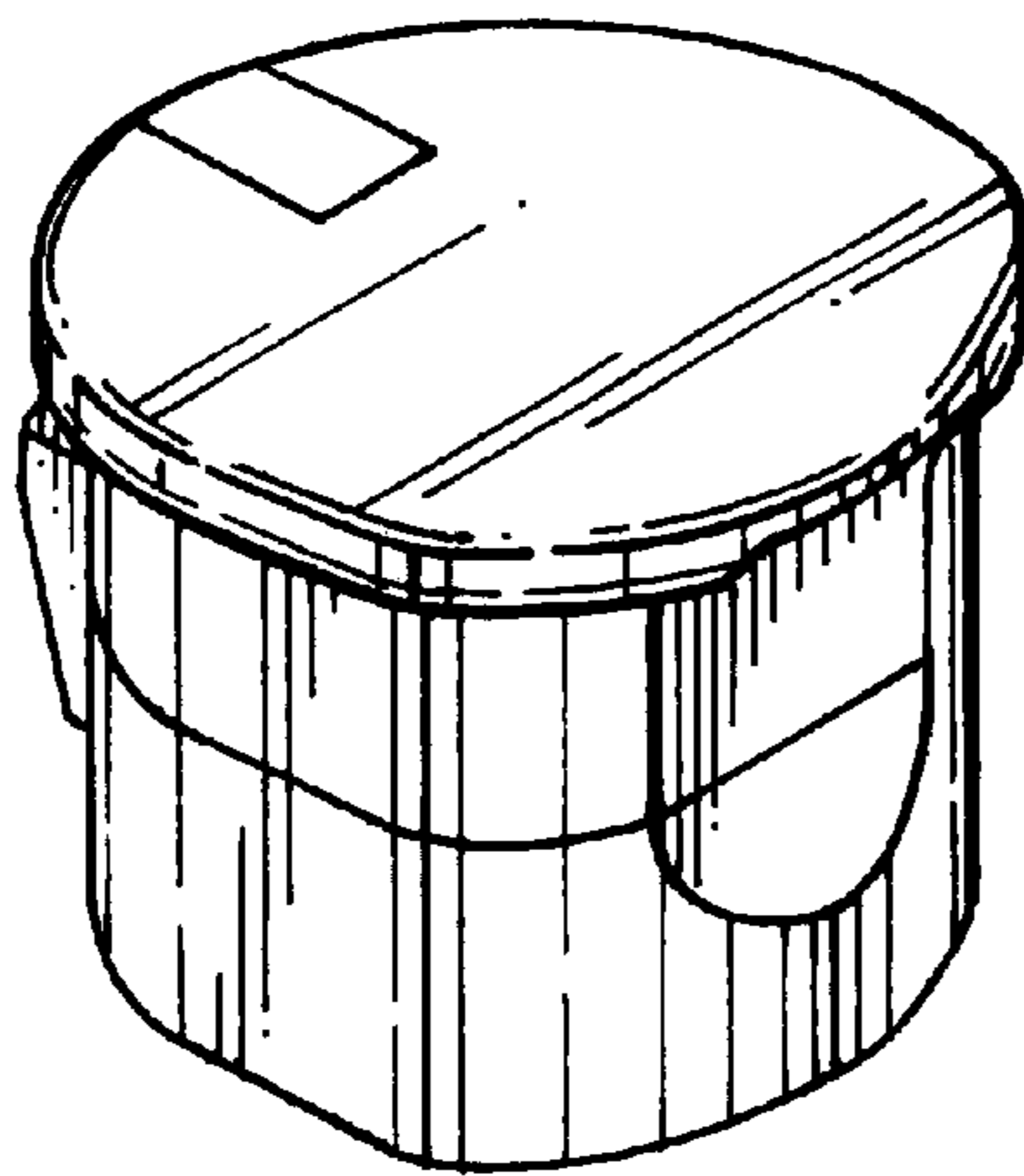


Fig. 1.

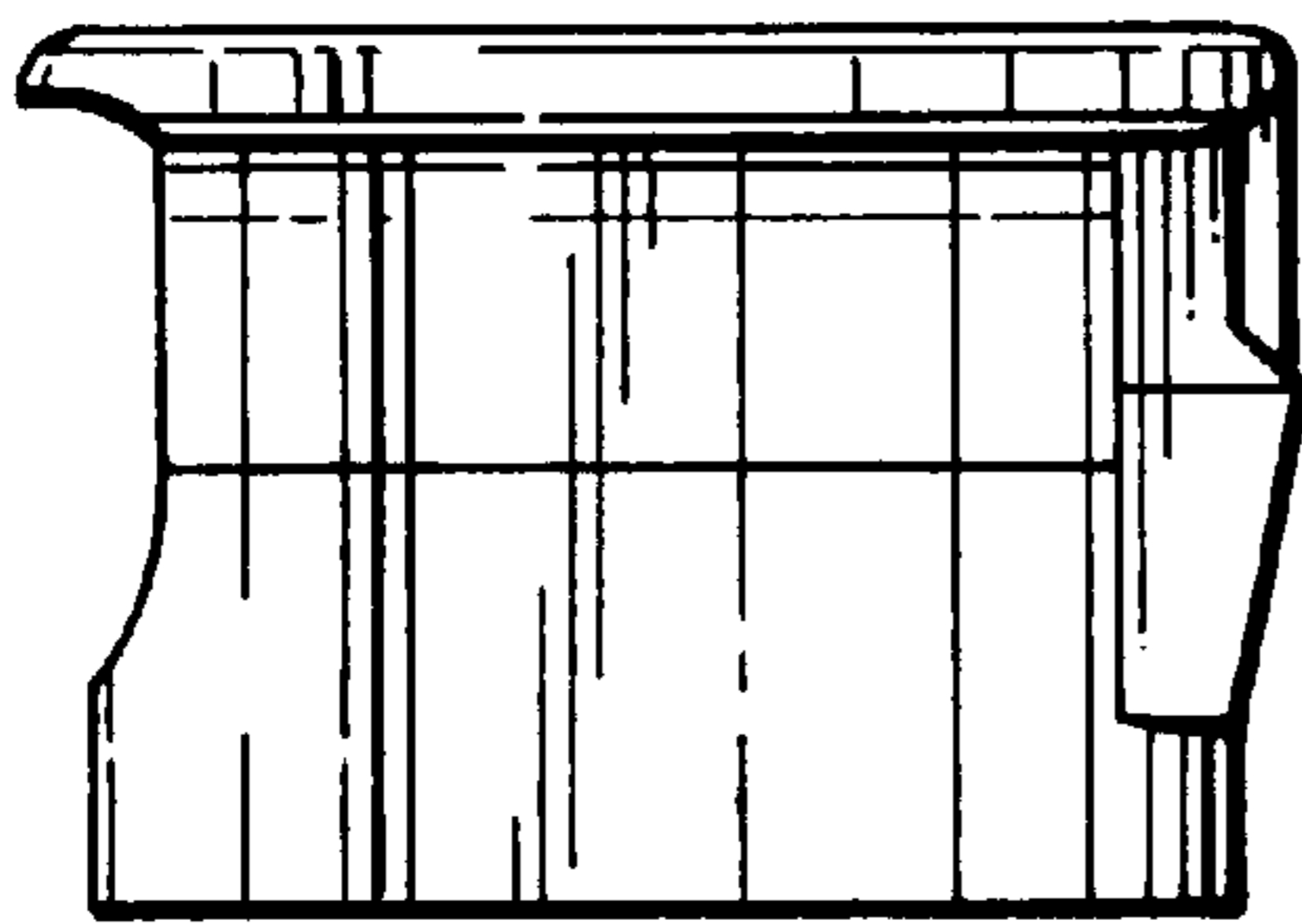


Fig. 2.

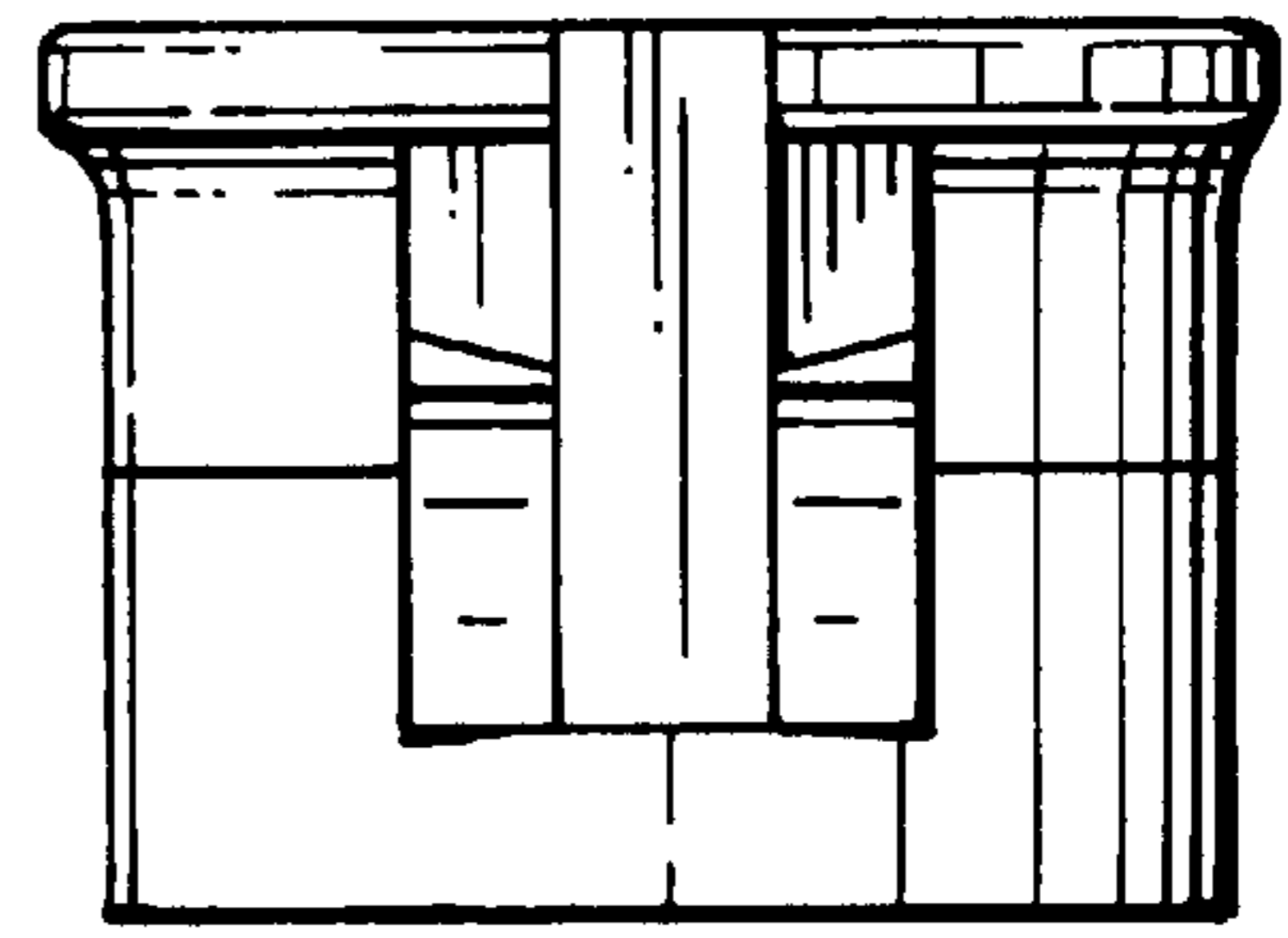


Fig. 3.

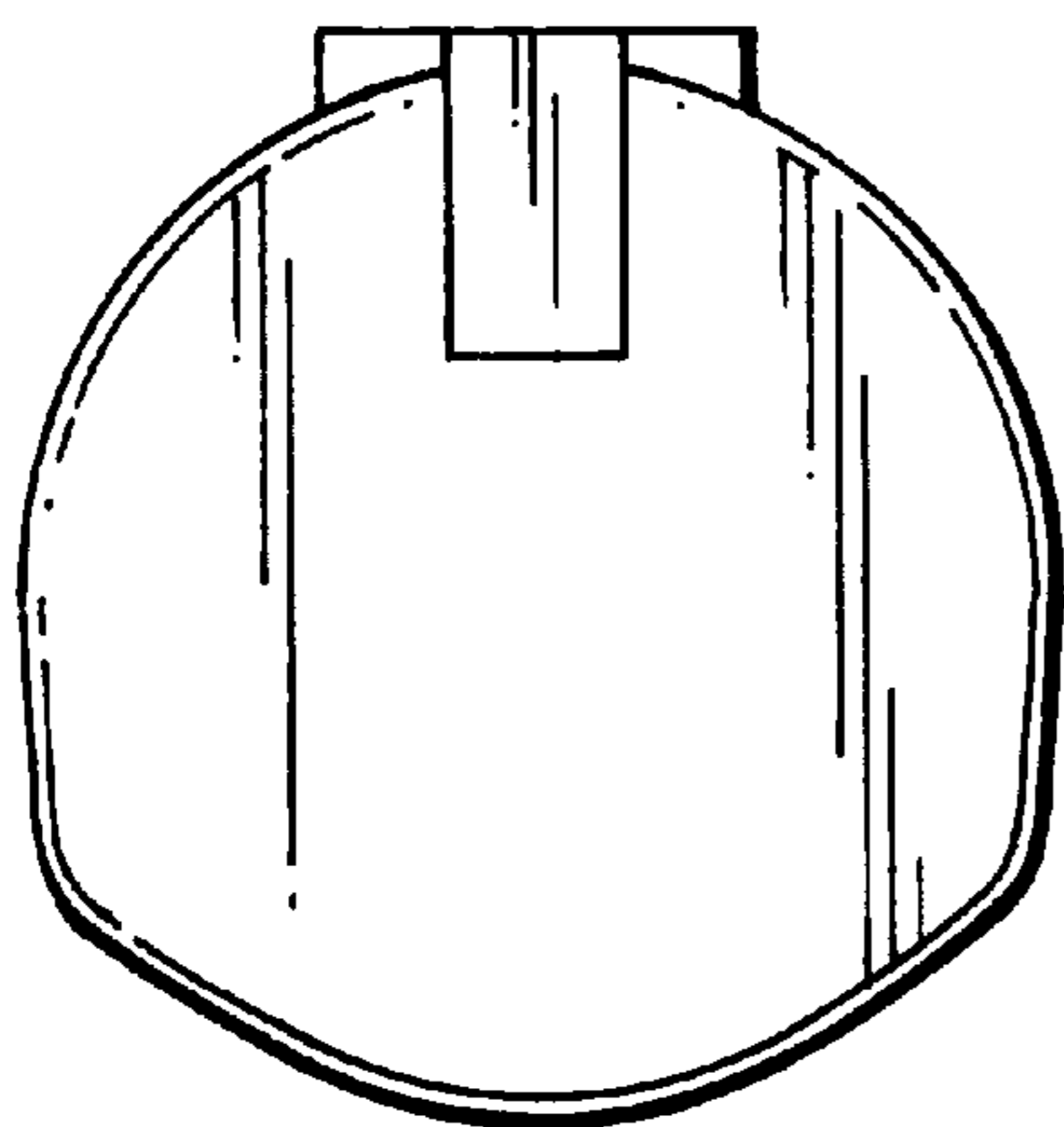


Fig. 4.

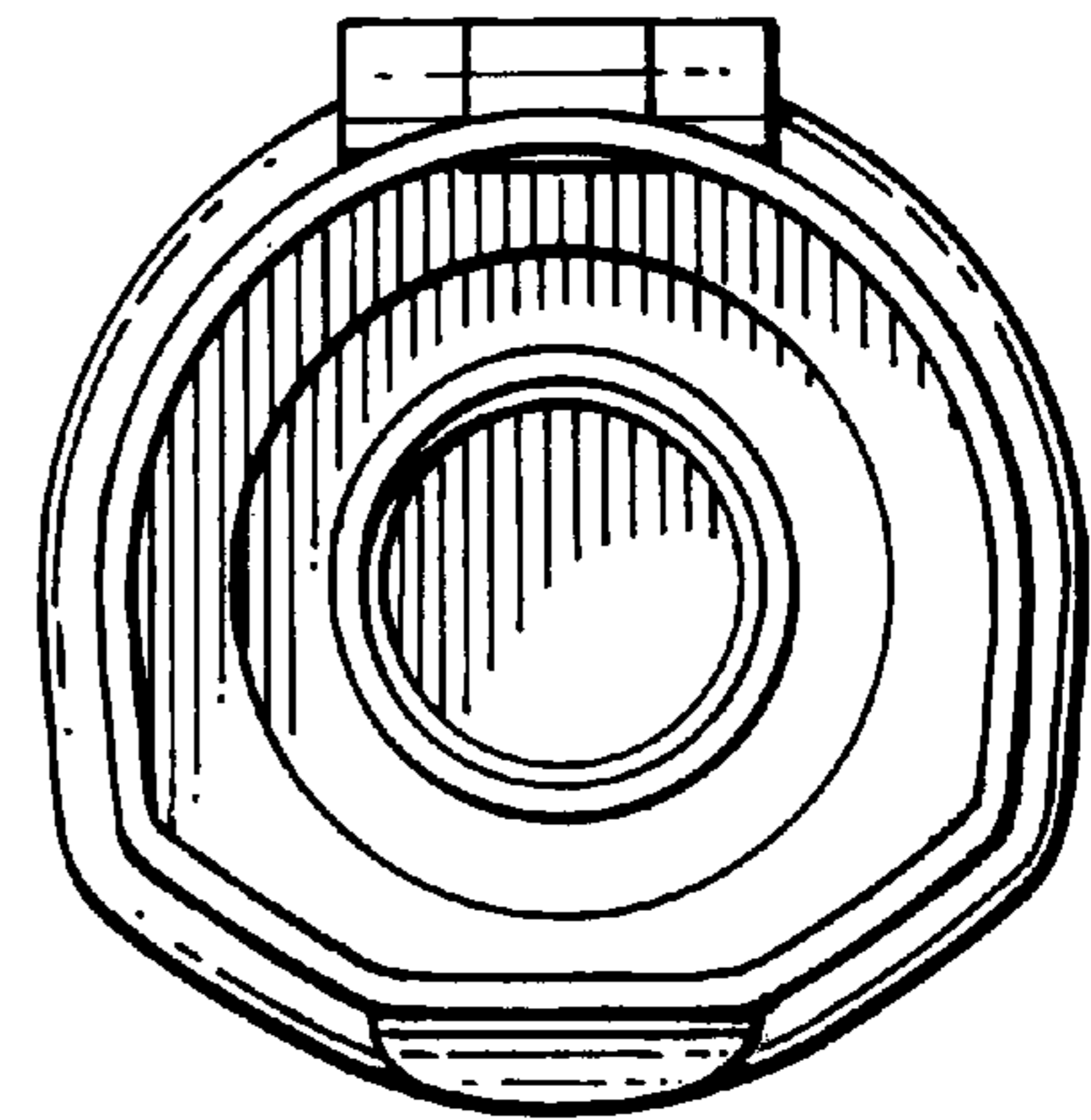


Fig. 5.

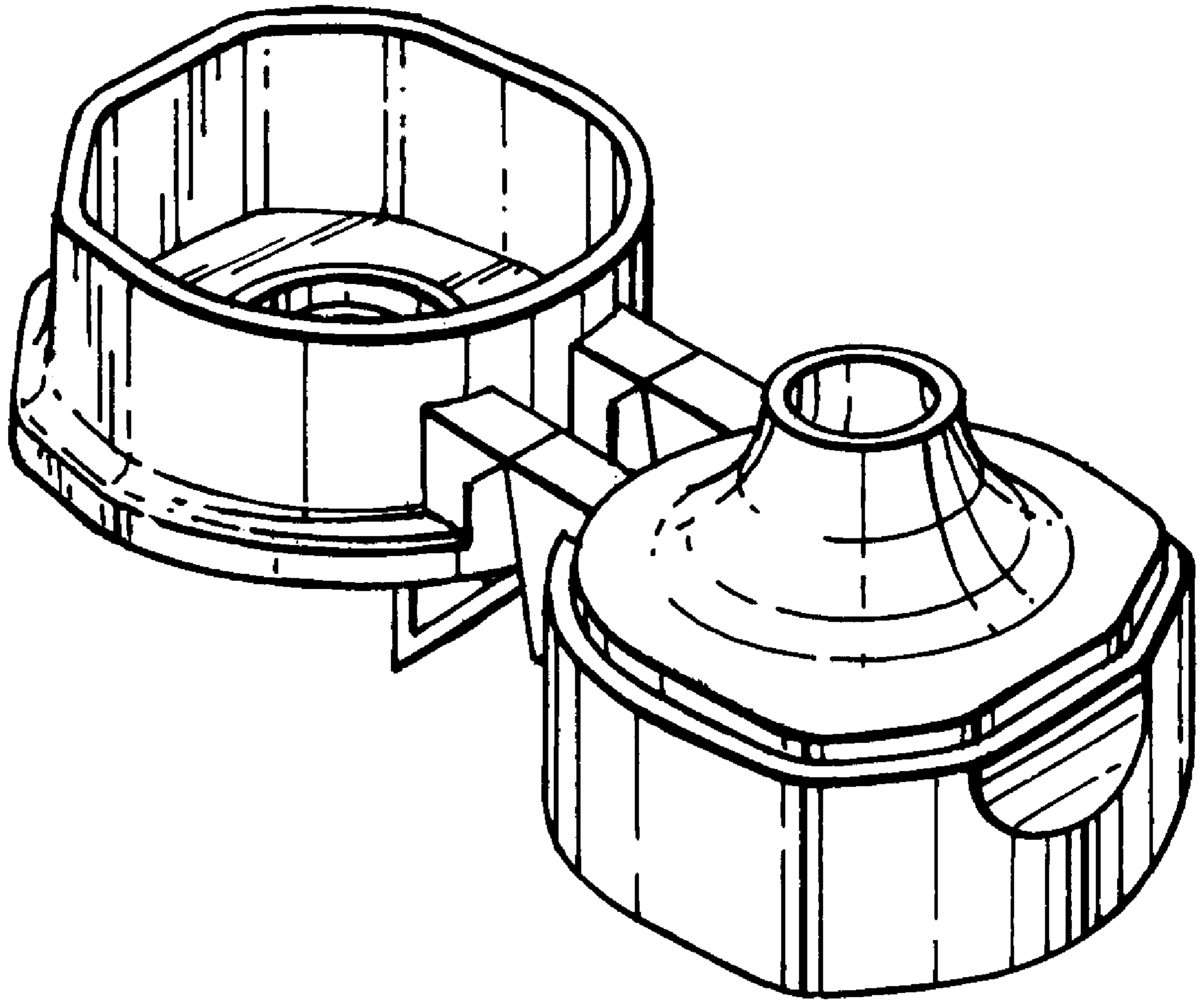


Fig.6.