



US00D450580B1

(12) **United States Design Patent**
Littlejohn et al.

(10) **Patent No.: US D450,580 S**

(45) **Date of Patent: ** Nov. 20, 2001**

(54) **SEALABLE FOOD SERVING CONTAINER**

OTHER PUBLICATIONS

(75) Inventors: **Mark B. Littlejohn**, Appleton;
Rebecca E. Whitmore, Chilton;
Jerome G. Dees, Appleton, all of WI
(US)

Tenneco Packaging Catalog, Jan. 1996, pp. 90 and 96.*

* cited by examiner

(73) Assignee: **Fort James Corporation**, Deerfield, IL
(US)

Primary Examiner—Prabhakar Deshmukh

(74) *Attorney, Agent, or Firm*—Michael W. Ferrell

(**) Term: **14 Years**

(57) **CLAIM**

The ornamental design for a sealable food serving container,
as shown and described.

(21) Appl. No.: **29/131,844**

DESCRIPTION

(22) Filed: **Oct. 27, 2000**

A portion of the disclosure of this patent document contains
material to which a claim for copyright is made. The
copyright owner has no objection to the facsimile reproduc-
tion by anyone of the patent document or the patent disclo-
sure as it appears in the Patent and Trademark Office patent
file or records, but reserves all other copyright rights what-
soever.

(51) **LOC (7) Cl.** **09-03**

(52) **U.S. Cl.** **D9/429; D9/428; D7/627**

(58) **Field of Search** D9/428, 429, 424,
D9/425, 426; D7/629, 601, 602, 608, 610,
641; 206/508, 518, 519, 557, 523; 229/406,
407, 938, 902, 903, 904, 906, 116.1; 220/556,
4.26, 4.31, 260, 212, 293, 380, 780-788;
426/106, 112, 113, 114

FIG. 1 is an exploded perspective view showing a sealable
food serving container constructed in accordance with the
present invention wherein the lower serving plate and seal-
ing cover are shown separately;

(56) **References Cited**

FIG. 2 is a perspective view of the sealable food serving
container of FIG. 1 wherein the sealing cover is sealably
engaged to the serving plate;

U.S. PATENT DOCUMENTS

D. 358,091	*	5/1995	Warburton	D9/425
D. 374,820	*	10/1996	Knoss et al.	D9/429
D. 375,261	*	11/1996	Fiori	D9/428
D. 415,025	*	10/1999	McCann	D9/425
D. 415,420	*	10/1999	Chen	D9/428
3,794,090	*	2/1974	Commisso	220/782
4,197,940	*	4/1980	DeRossett	229/406
4,206,845	*	6/1980	Christian	206/508
4,375,862	*	3/1983	Kurinsky et al.	220/293
4,705,172	*	11/1987	Gage	220/380
5,377,860		1/1995	Littlejohn	220/306

FIG. 3 is a side view in elevation of the sealable food serving
container shown in perspective in FIG. 2;

FIG. 4 is a top plan view of the sealable food serving
container shown in perspective in FIG. 2 and shown in
elevation in FIG. 3; and,

FIG. 5 is a bottom plan view of the sealable food container
shown in perspective in FIG. 2, shown in elevation in FIG.
3 and shown in top plan view in FIG. 4.

1 Claim, 3 Drawing Sheets

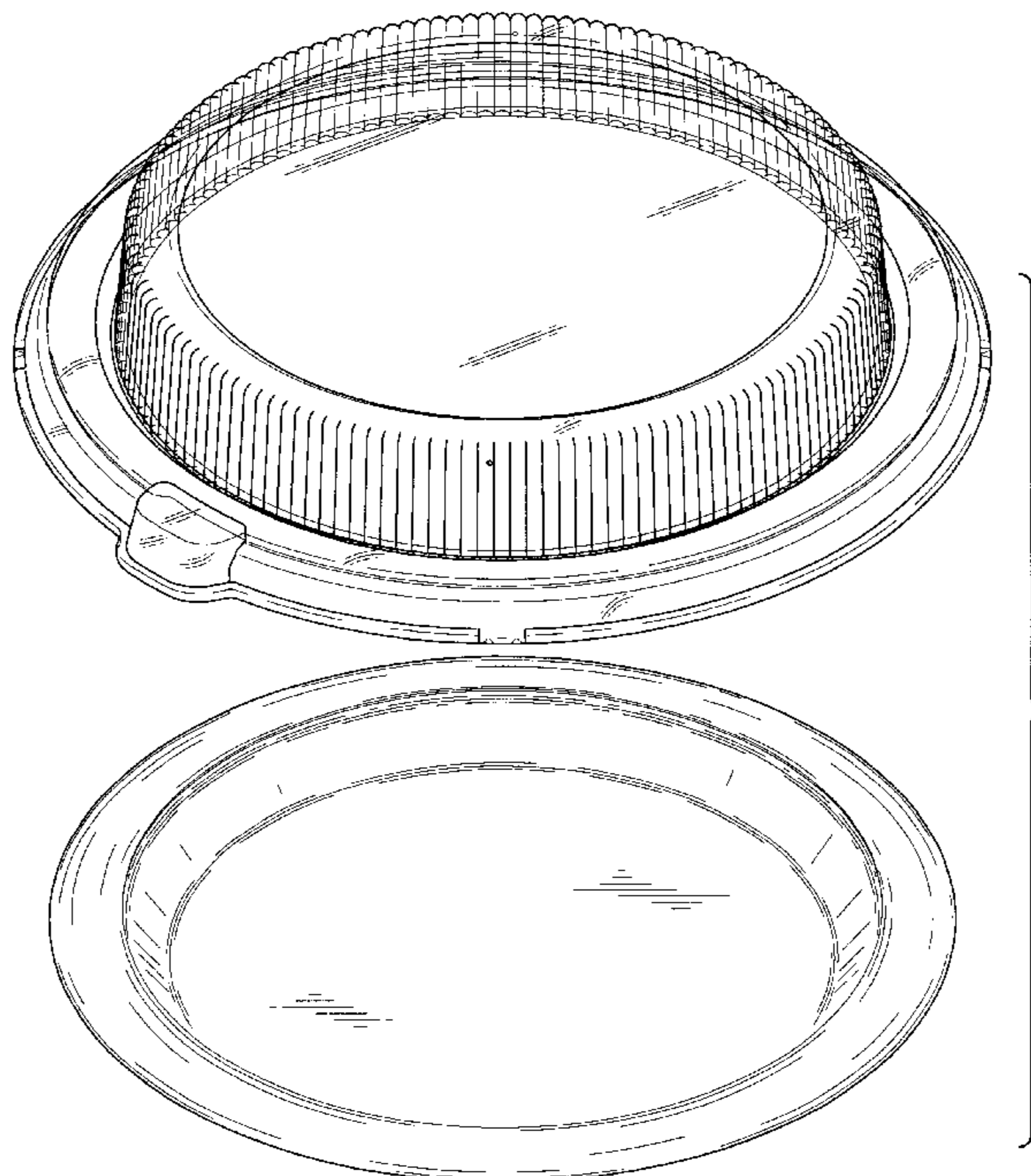


FIG. 1

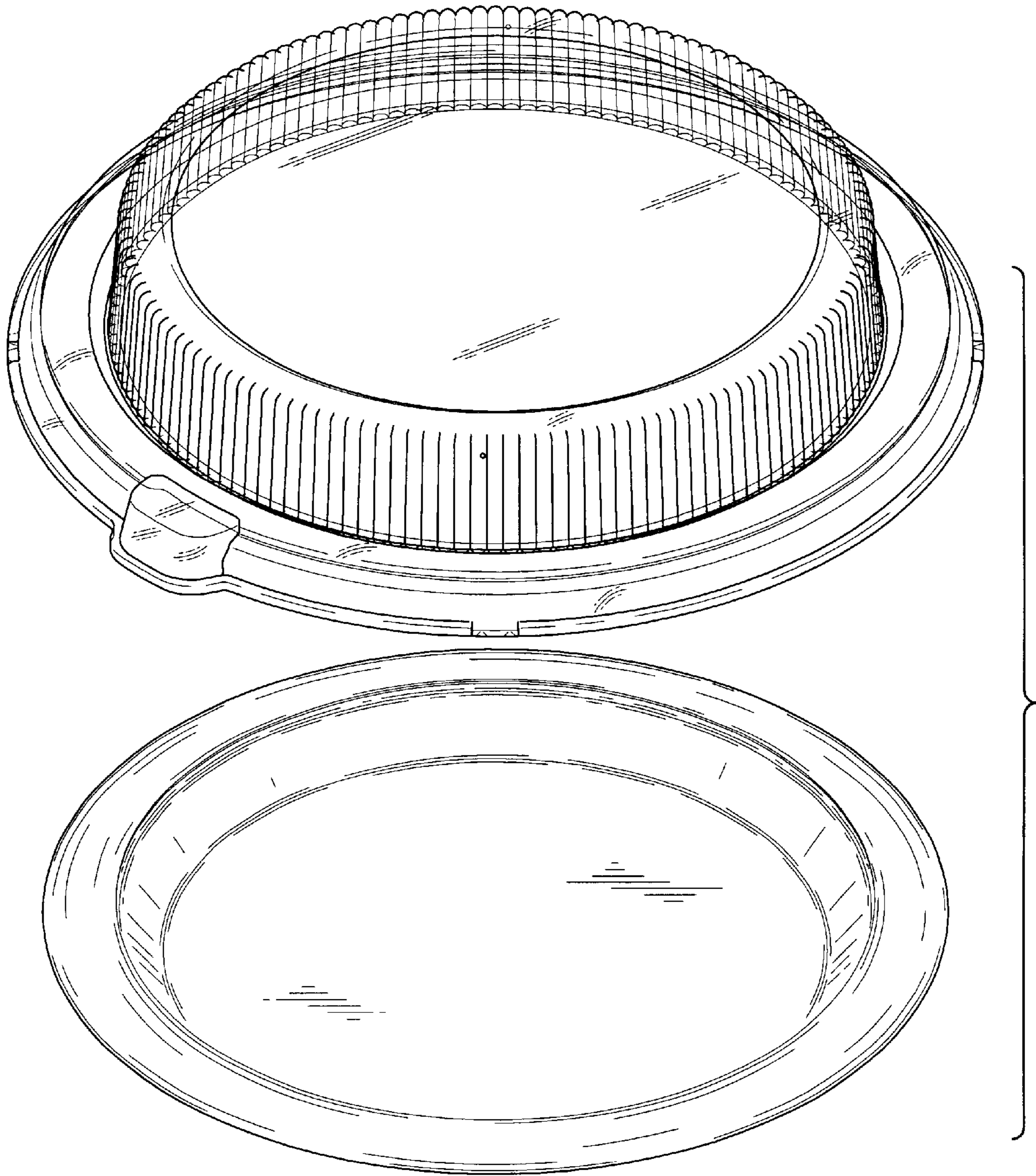


FIG. 2

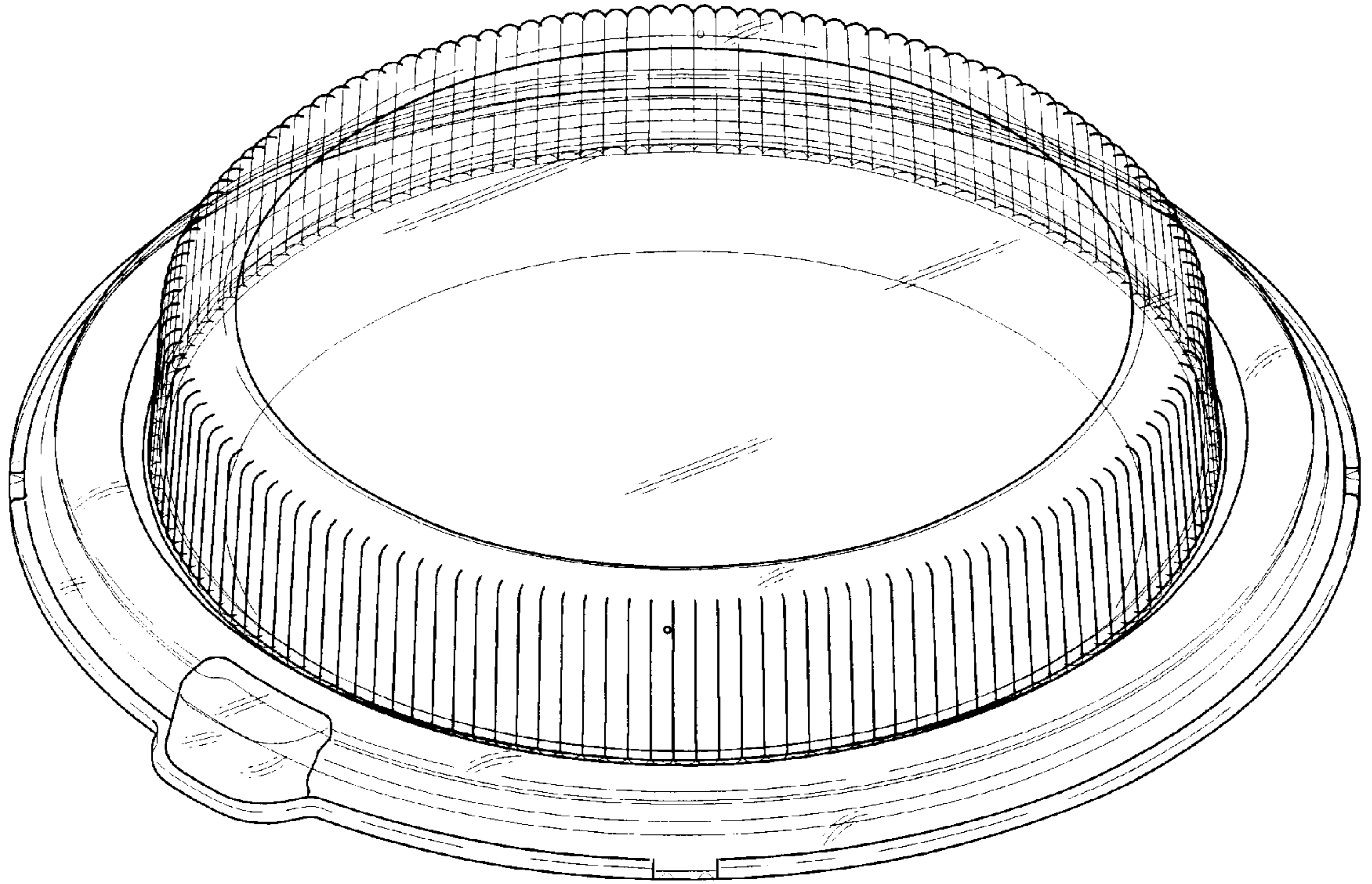


FIG. 3

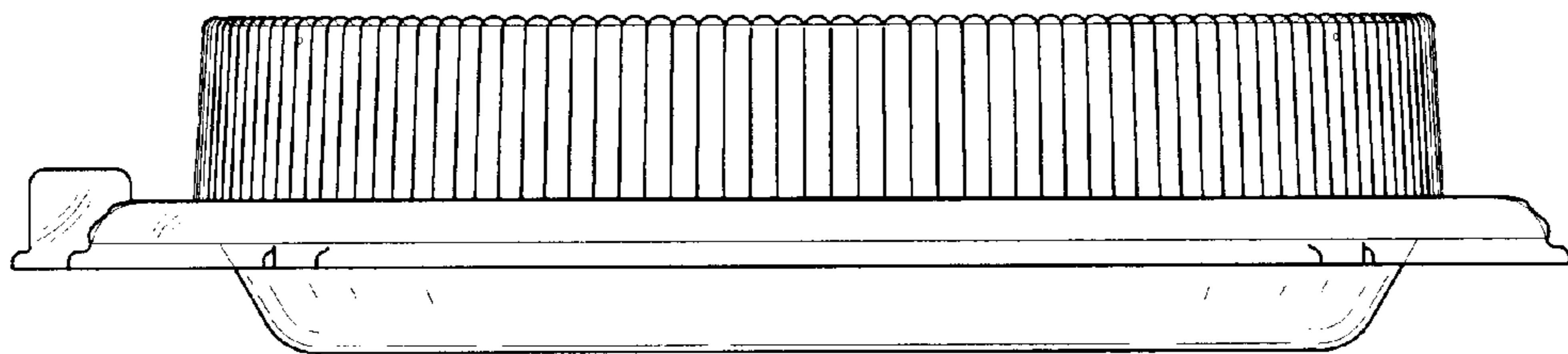


FIG. 4

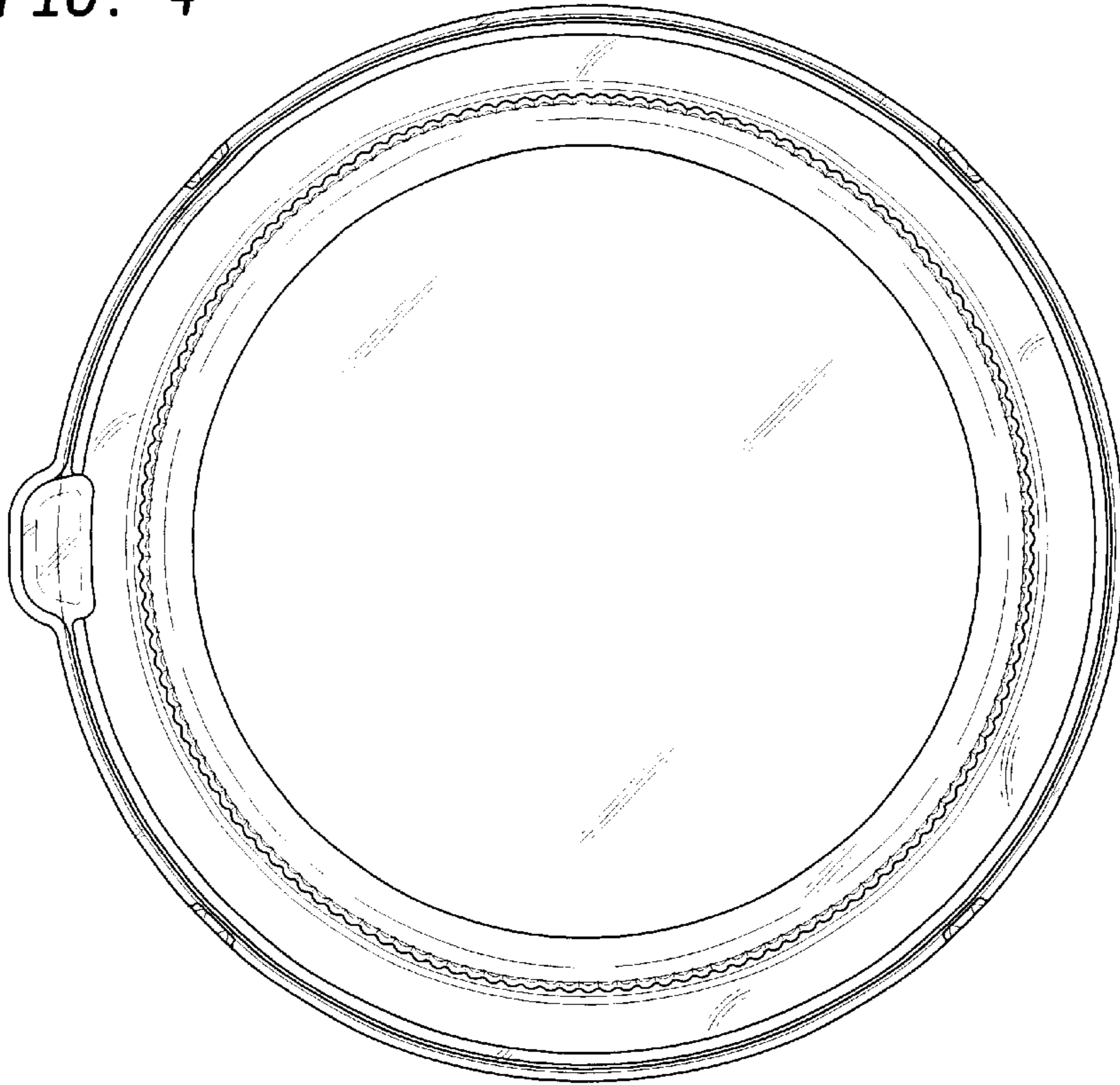


FIG. 5

