



US00D450572B1

(12) **United States Design Patent**  
**Nimmo et al.**

(10) **Patent No.:** **US D450,572 S**

(45) **Date of Patent:** **\*\* Nov. 20, 2001**

(54) **THREADED NUT AND RETAINER UNIT**

(75) Inventors: **Frank D. Nimmo**, Cincinnati; **William R. Merz**, Fairfield; **W. Howard Newton**, Cincinnati, all of OH (US)

(73) Assignee: **Rolcon, Inc.**, Cincinnati, OH (US)

(\*\*) Term: **14 Years**

(21) Appl. No.: **29/125,534**

(22) Filed: **Jun. 26, 2000**

(51) **LOC (7) Cl.** ..... **08-08**

(52) **U.S. Cl.** ..... **D8/397; D8/399**

(58) **Field of Search** ..... D8/397, 399; 70/229; 411/166, 172, 81, 103-109, 190, 204, 337, 338, 366.1, 368, 427, 429, 430, 432, 436, 531, 533, 537

(56) **References Cited**

**U.S. PATENT DOCUMENTS**

2,789,457	*	4/1957	Allen	.....	85/32
2,809,686	*	10/1957	Shepherd	.....	151/41.75
3,021,162	*	2/1962	Jahn	.....	292/66
3,053,355	*	9/1962	Attwood	.....	189/36
4,831,678	*	5/1989	Dietsche	.....	15/176.4
5,692,732	*	12/1997	Gill	.....	254/126

\* cited by examiner

*Primary Examiner*—James Gandy

*Assistant Examiner*—Daniel Bui

(74) *Attorney, Agent, or Firm*—Jacox, Meckstroth & Jenkins

(57) **CLAIM**

The ornamental design for a threaded nut and retainer unit, as shown and described.

**DESCRIPTION**

FIG. 1 is a perspective view of a threaded nut and retainer unit showing our new design;

FIG. 2 is a top view thereof;

FIG. 3 is a bottom view thereof;

FIG. 4 is a side view thereof, the opposite side being a mirror image;

FIG. 5 is an end view thereof, the opposite end view being a mirror image;

FIG. 6 is a perspective view of a second embodiment of our design;

FIG. 7 is a top view of the second embodiment;

FIG. 8 is a bottom view of the second embodiment;

FIG. 9 is a side view of the second embodiment, the opposite side view being a mirror image; and,

FIG. 10 is an end view of the second embodiment, the opposite end view being a mirror image.

**1 Claim, 2 Drawing Sheets**

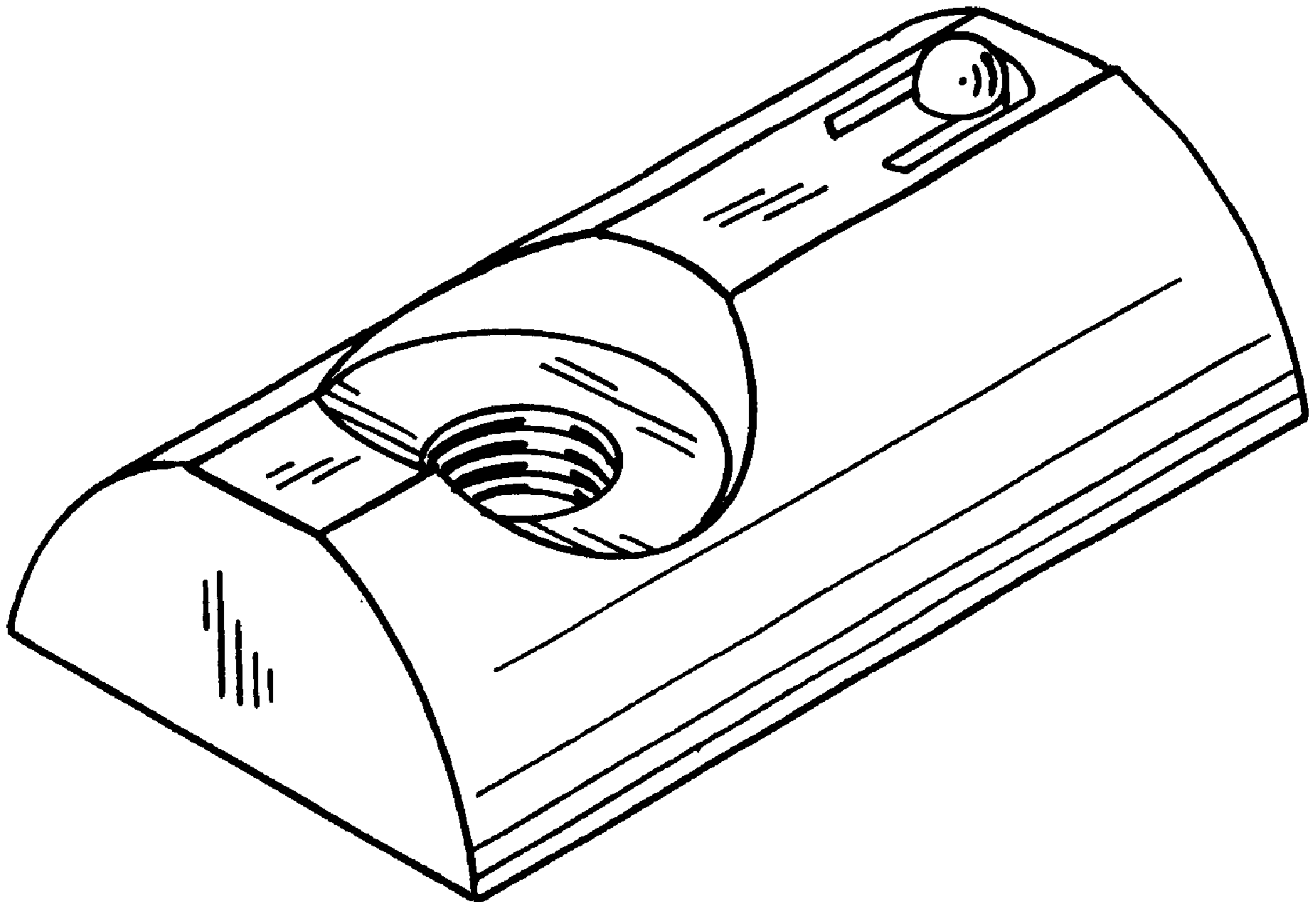


FIG-1

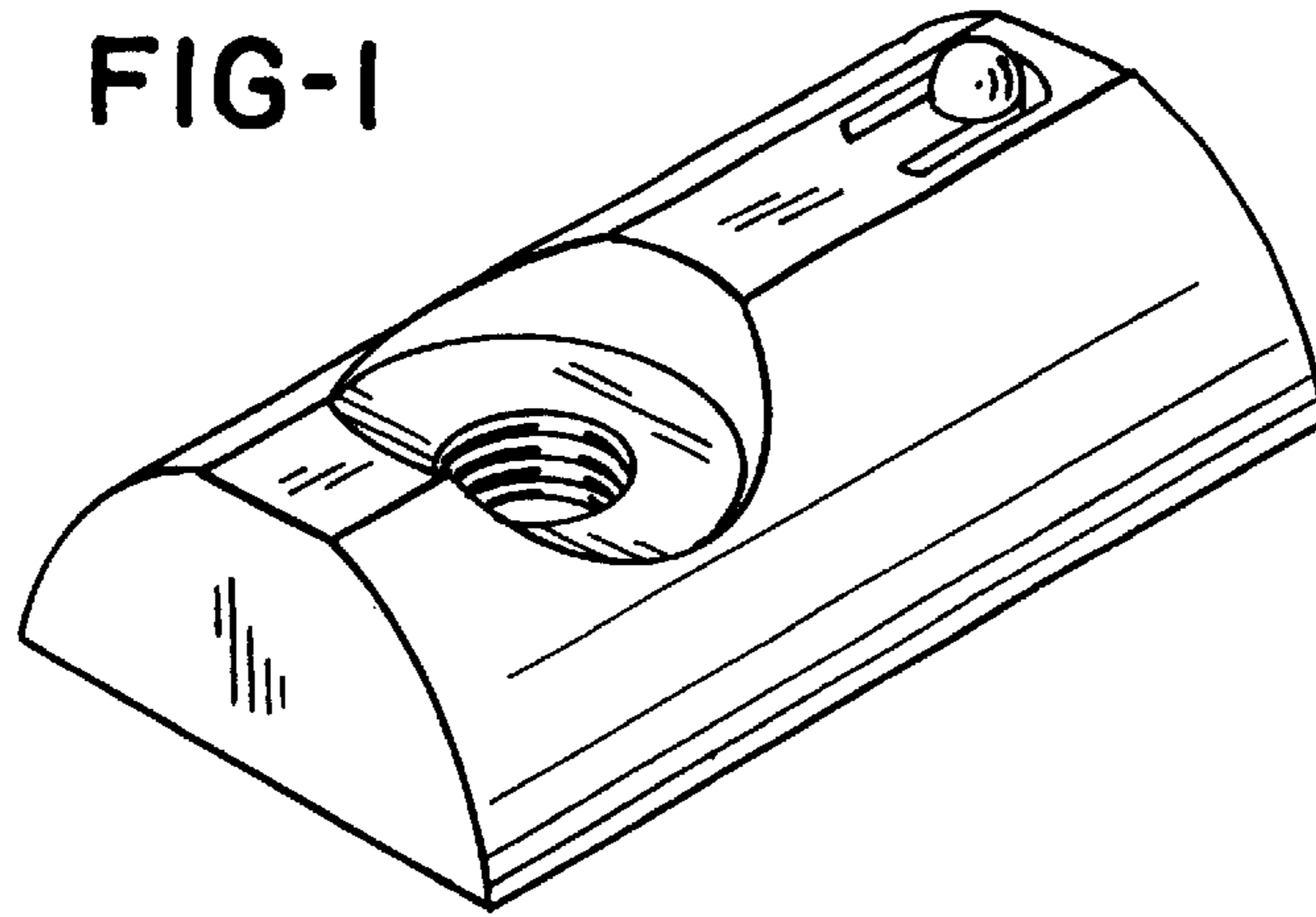


FIG-2

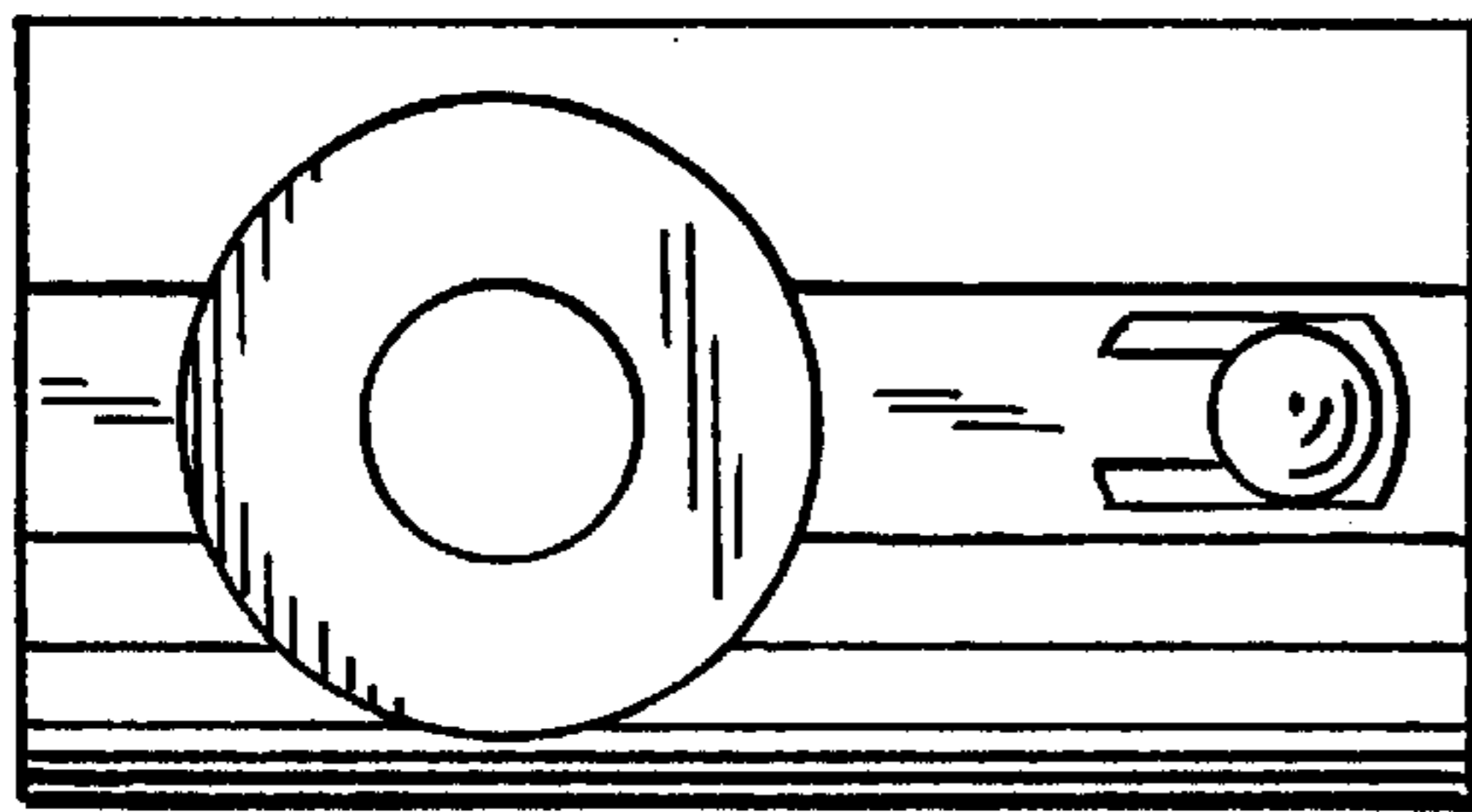


FIG-3

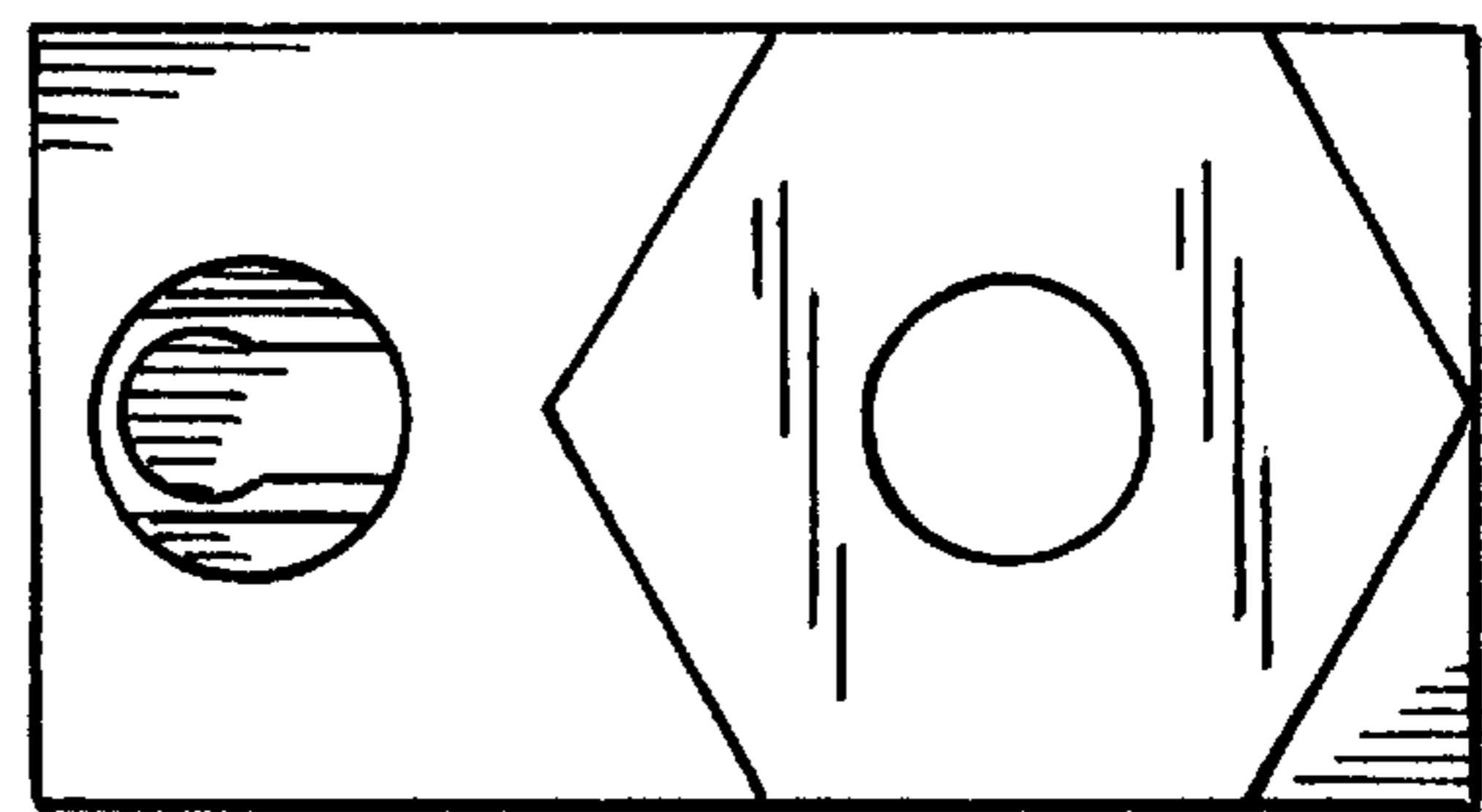


FIG-4

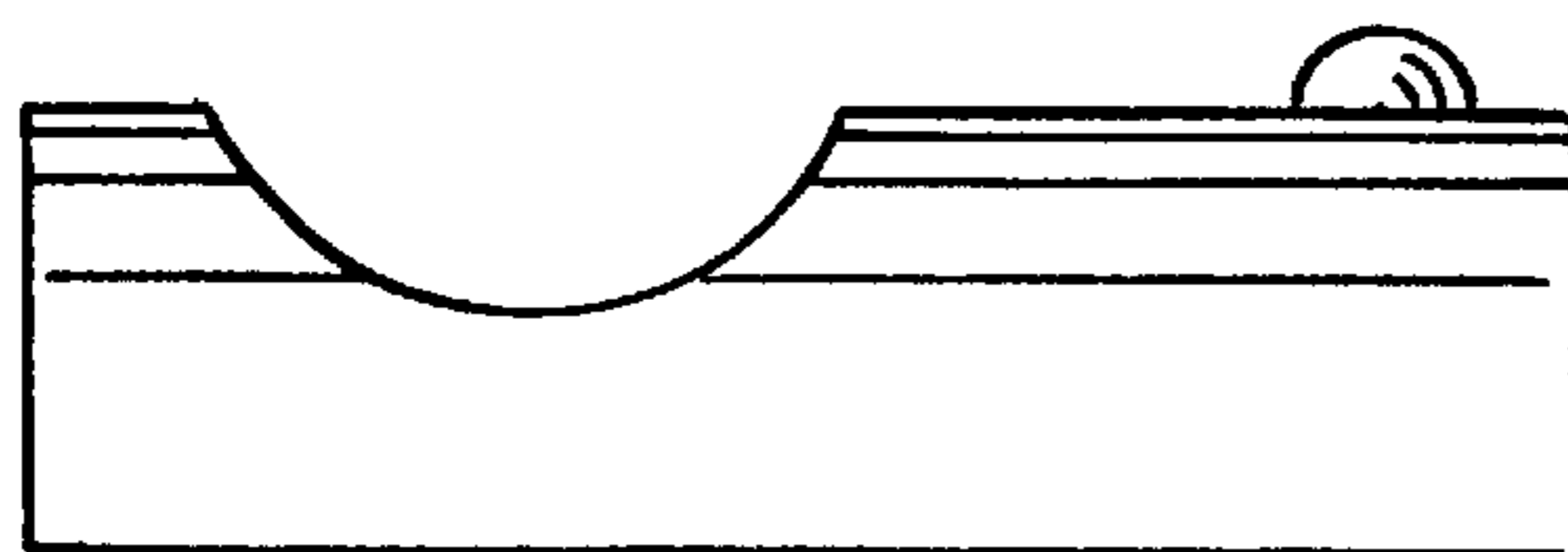


FIG-5



FIG-6

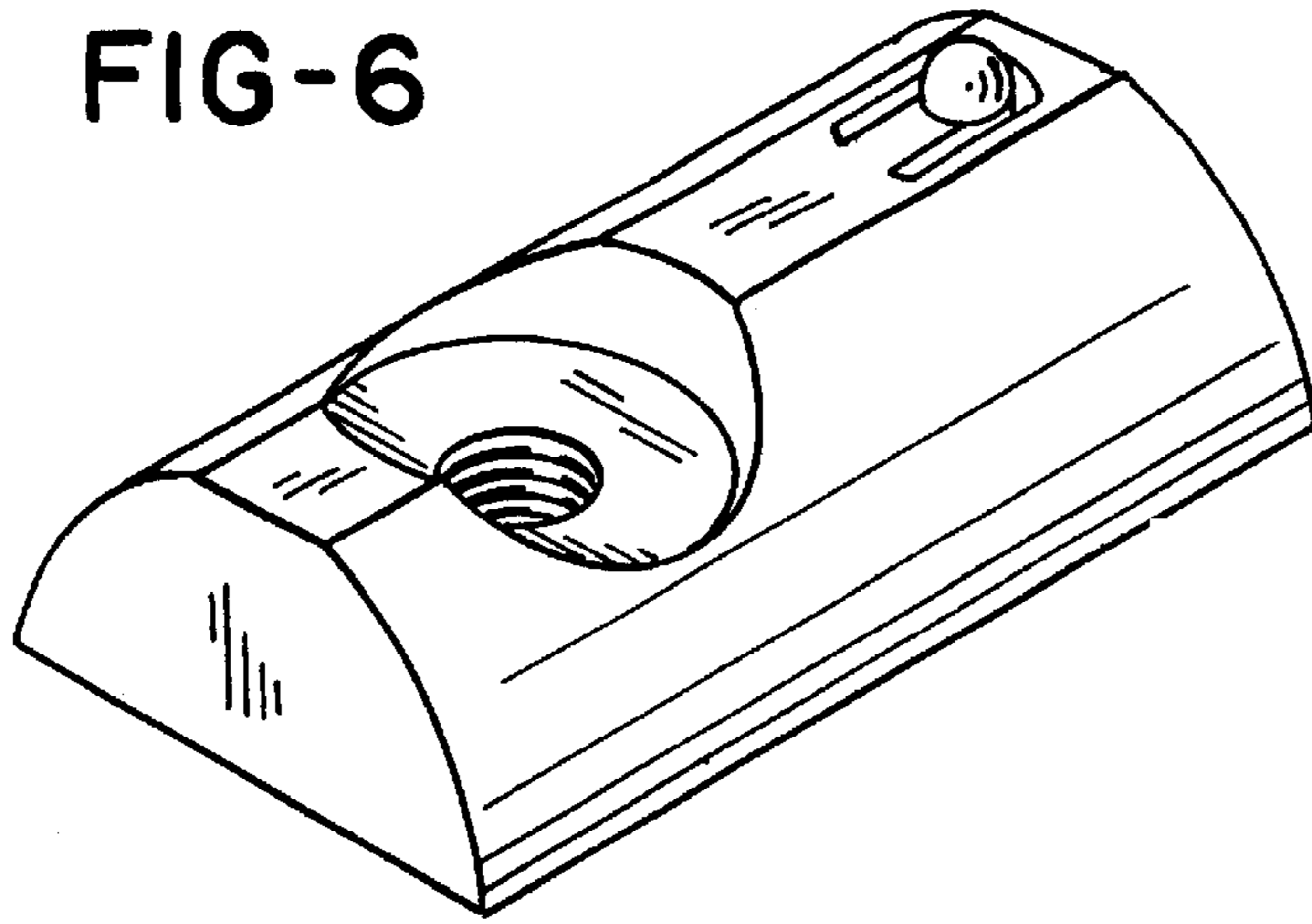


FIG-7

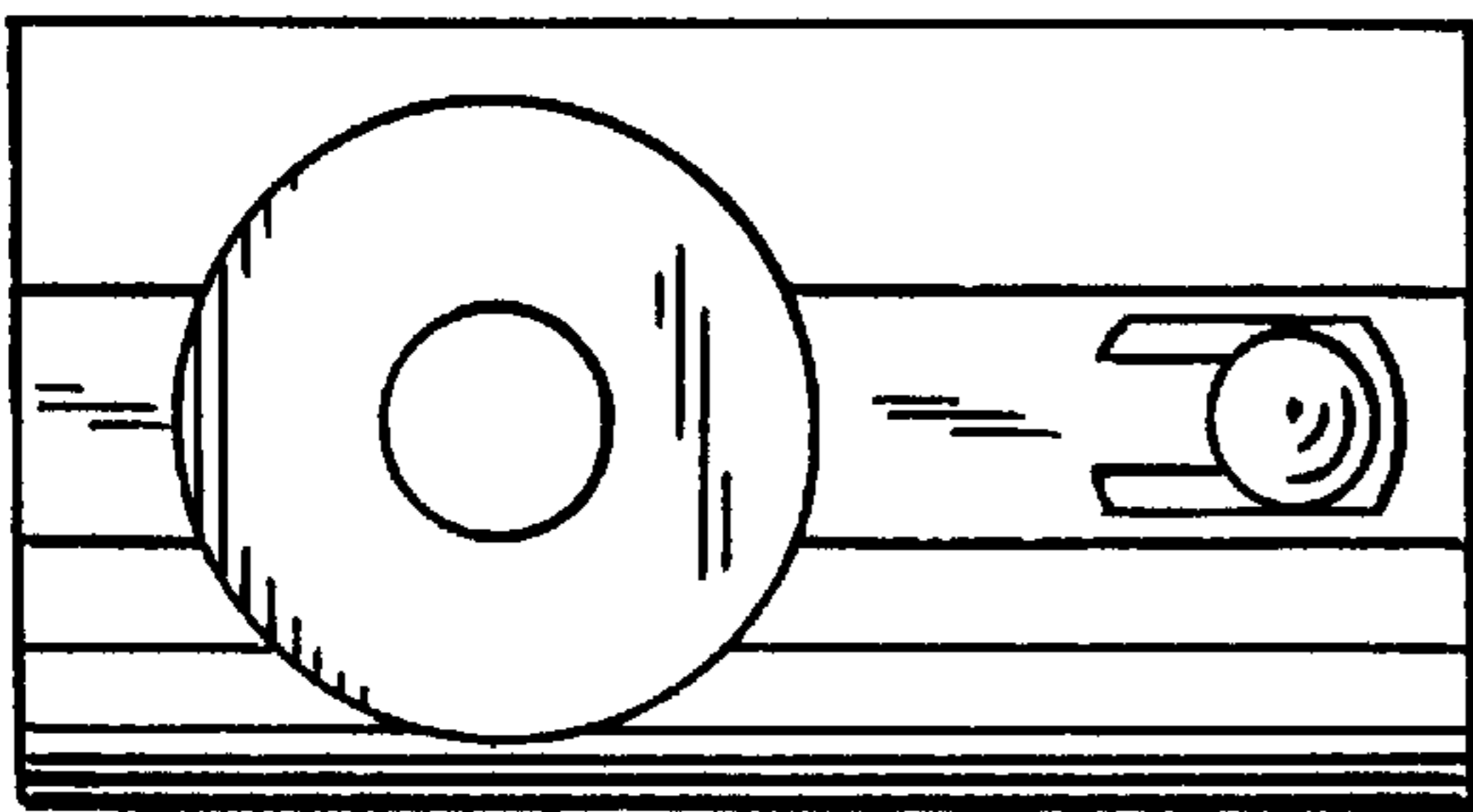


FIG-8

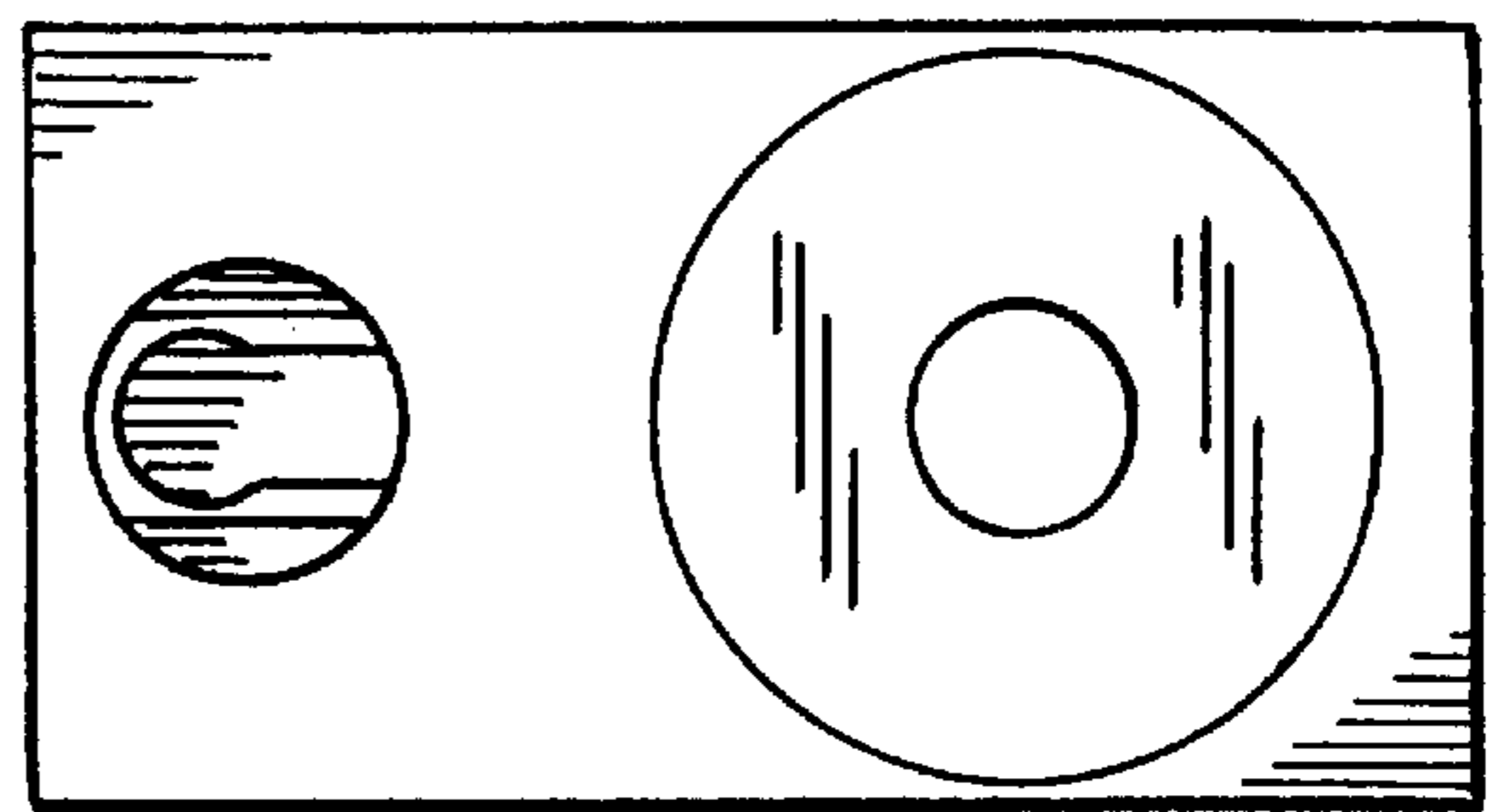


FIG-9

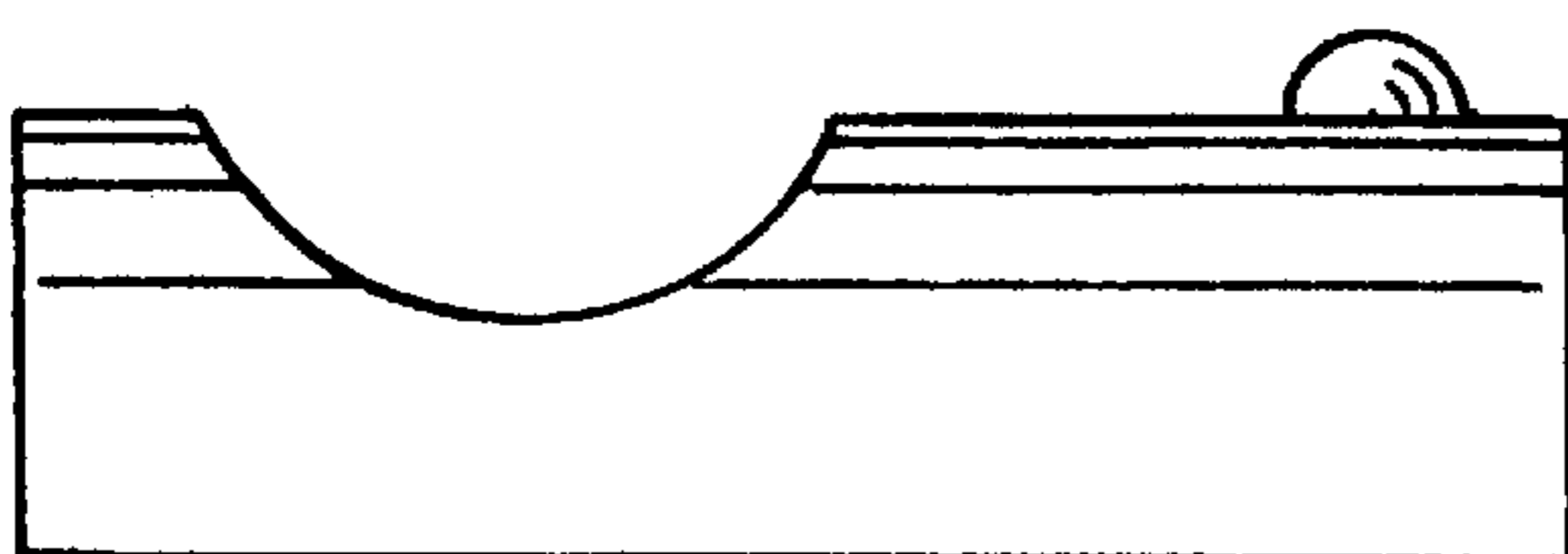


FIG-10

