



US00D450566B1

(12) **United States Design Patent**  
**Gottwald**

(10) **Patent No.:** **US D450,566 S**

(45) **Date of Patent:** **\*\* Nov. 20, 2001**

(54) **GARMENT HOOK**

(75) **Inventor:** **Adolf Gottwald, Iserlohn (DE)**

(73) **Assignee:** **Friedrich Grohe AG & Co. KG,  
Hemer (DE)**

(\*\*) **Term:** **14 Years**

(21) **Appl. No.:** **29/142,606**

(22) **Filed:** **May 30, 2001**

(30) **Foreign Application Priority Data**

Dec. 1, 2000 (DE) ..... 4 00 11 471

(51) **LOC (7) Cl.** ..... **08-21**

(52) **U.S. Cl.** ..... **D8/367; D6/323**

(58) **Field of Search** ..... D6/524, 553, 567,  
D6/323, 316, 320, 546; D8/367, 350, 352;  
248/304, 309.1; 211/87.01, 106.01

(56) **References Cited**

**U.S. PATENT DOCUMENTS**

D. 267,455 \* 1/1983 Cohen ..... D8/367  
D. 281,838 \* 12/1985 Thompson ..... D6/323  
D. 318,590 \* 7/1991 McKeone ..... D6/524

D. 330,636 \* 11/1992 Sharpe ..... D6/323  
D. 397,256 \* 8/1998 Moore et al. .... D6/323  
D. 417,112 \* 11/1999 Chen ..... D6/546  
D. 426,390 \* 6/2000 Green et al. .... D6/323  
D. 436,452 \* 1/2001 Gastélum et al. .... D6/323  
D. 442,073 \* 5/2001 Lyndon ..... D8/367

\* cited by examiner

*Primary Examiner*—Brian N. Vinson

(74) *Attorney, Agent, or Firm*—Herbert Dubno

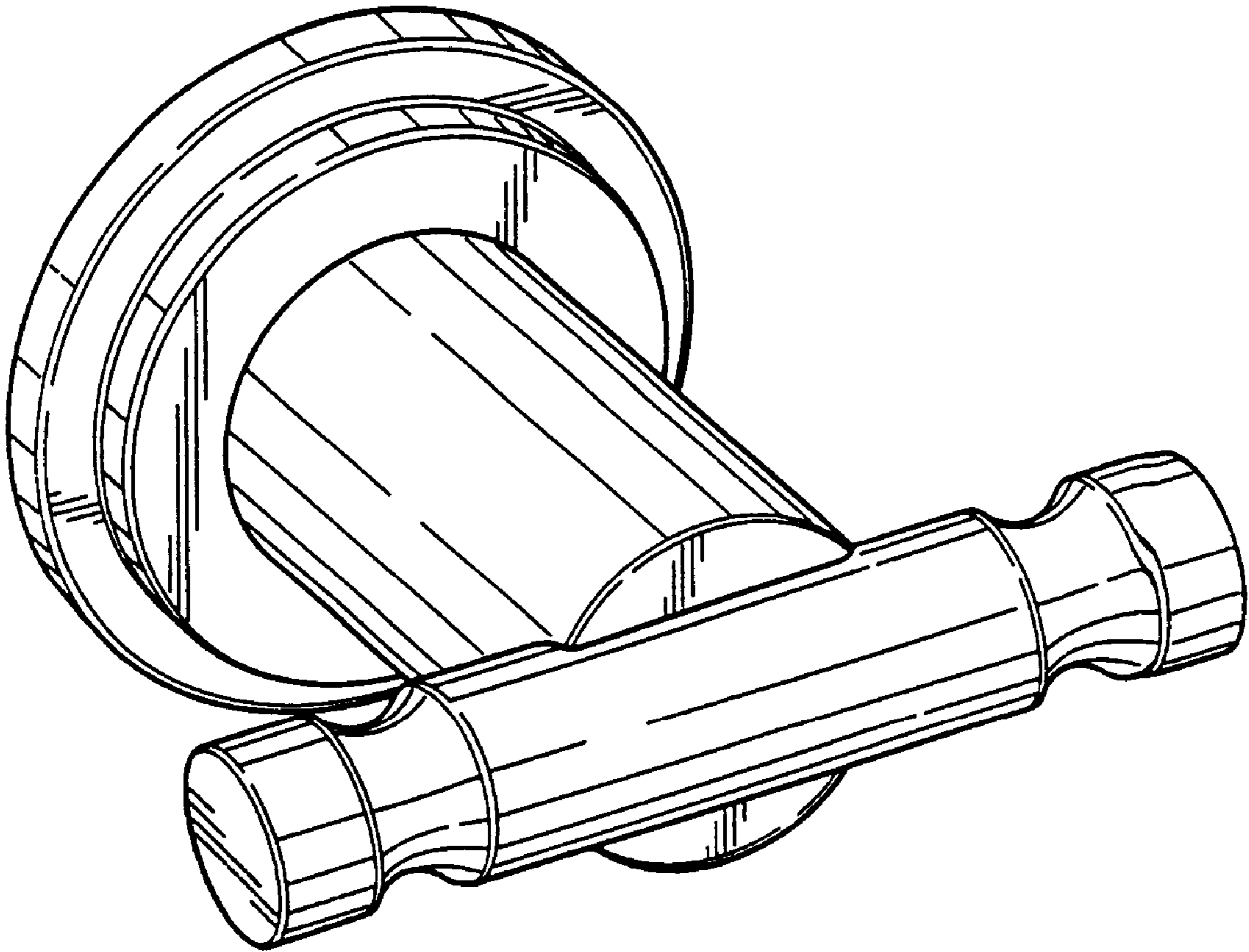
(57) **CLAIM**

The ornamental design for a garment hook, as shown and described.

**DESCRIPTION**

FIG. 1 is a top, front, left-side perspective view of a garment hook showing my new design;  
FIG. 2 is a rear elevational view thereof;  
FIG. 3 is a top plan view thereof;  
FIG. 4 is a front elevational view thereof;  
FIG. 5 is a bottom plan view thereof; and,  
FIG. 6 is a right side elevational view thereof, the left side elevational view being mirror symmetrical thereto.

**1 Claim, 2 Drawing Sheets**



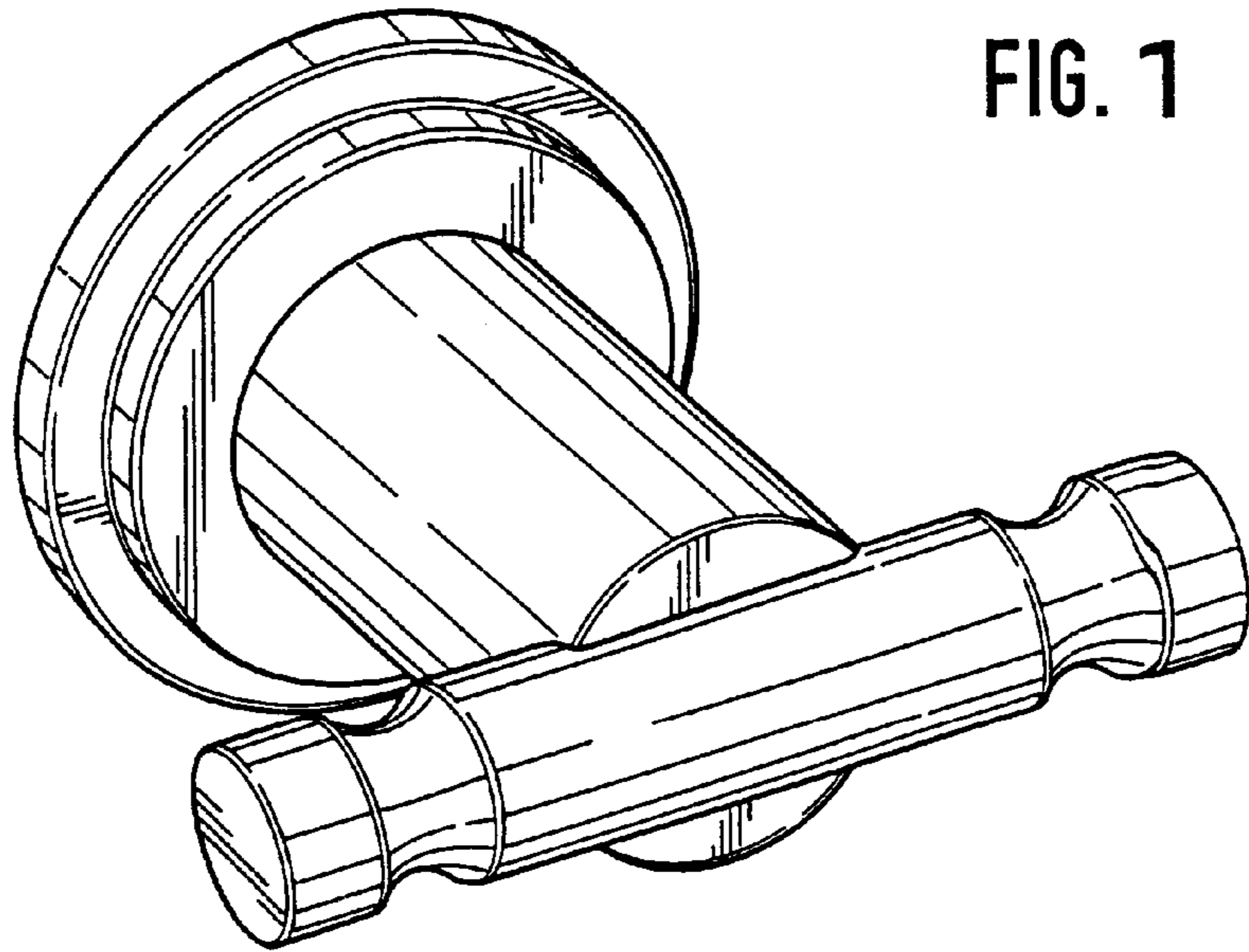


FIG. 1

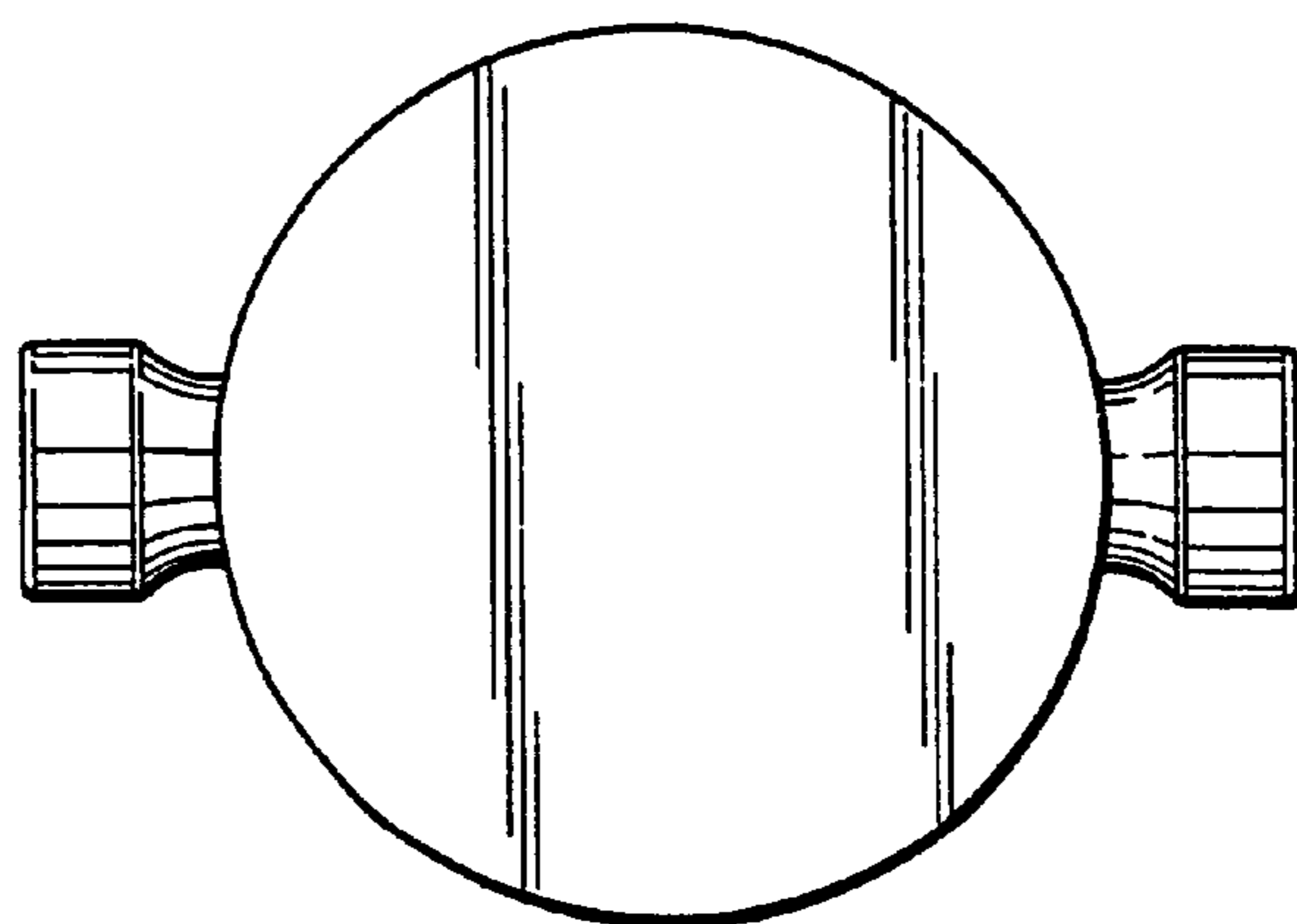


FIG. 2

FIG. 3

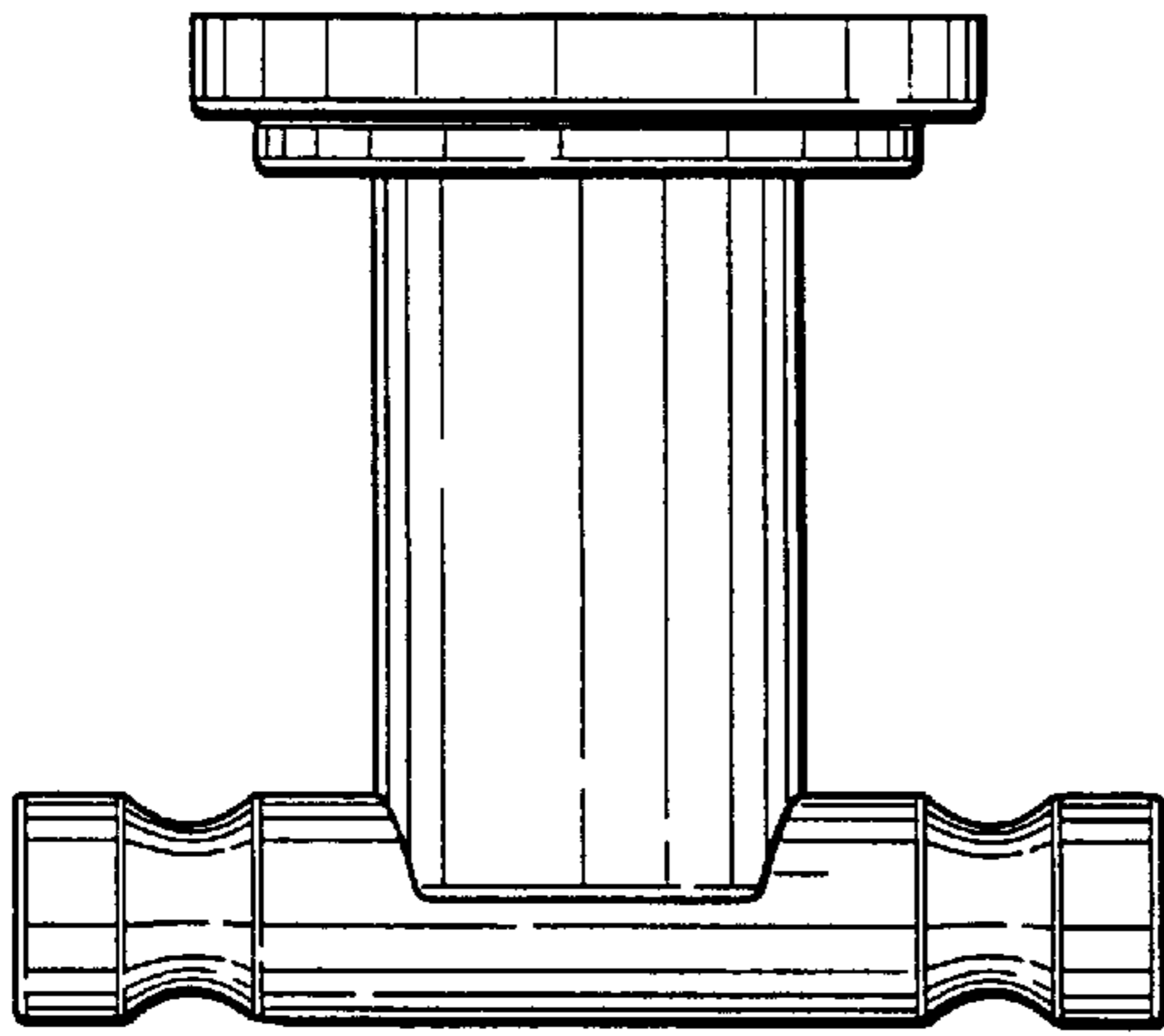


FIG. 4

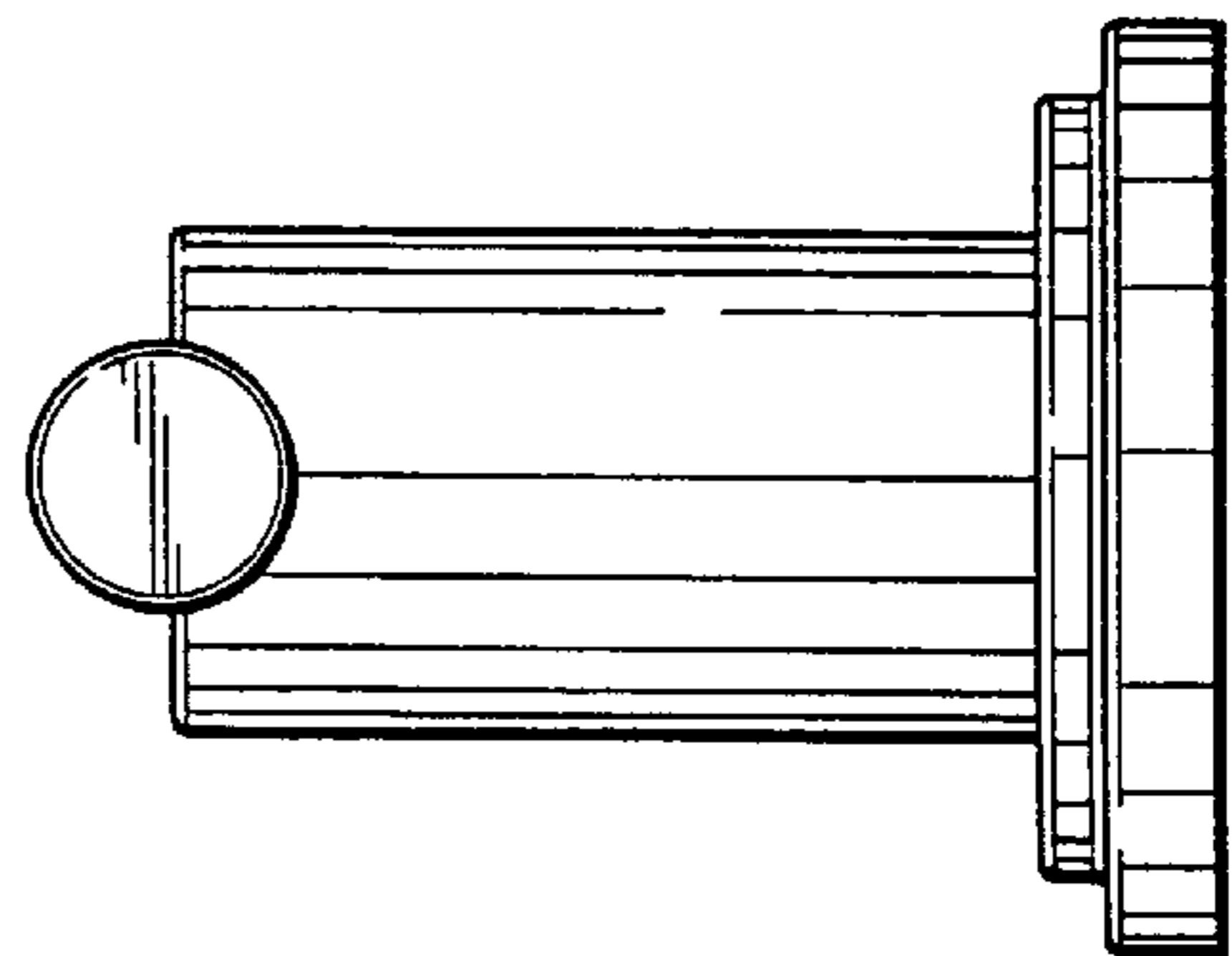
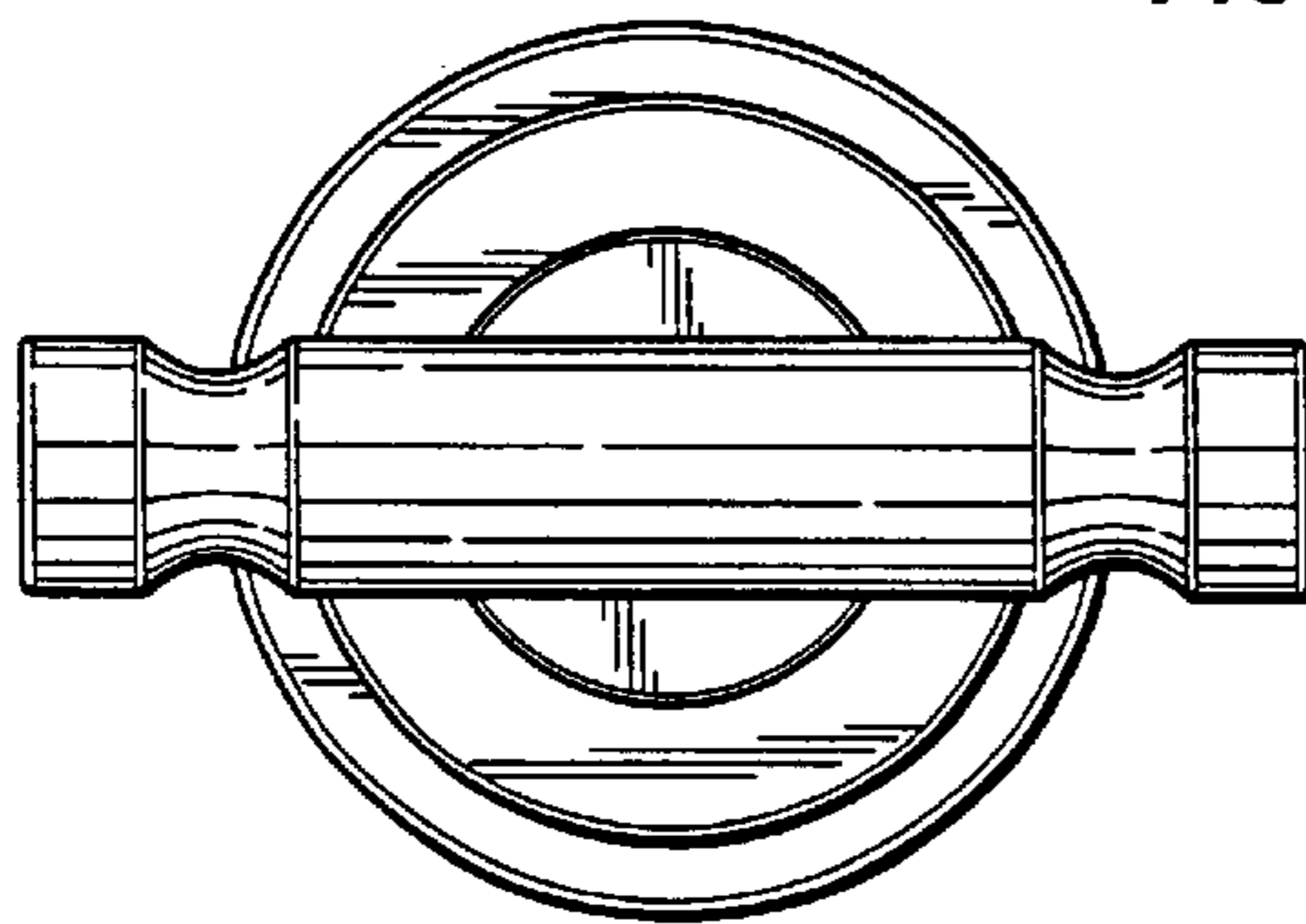


FIG. 6

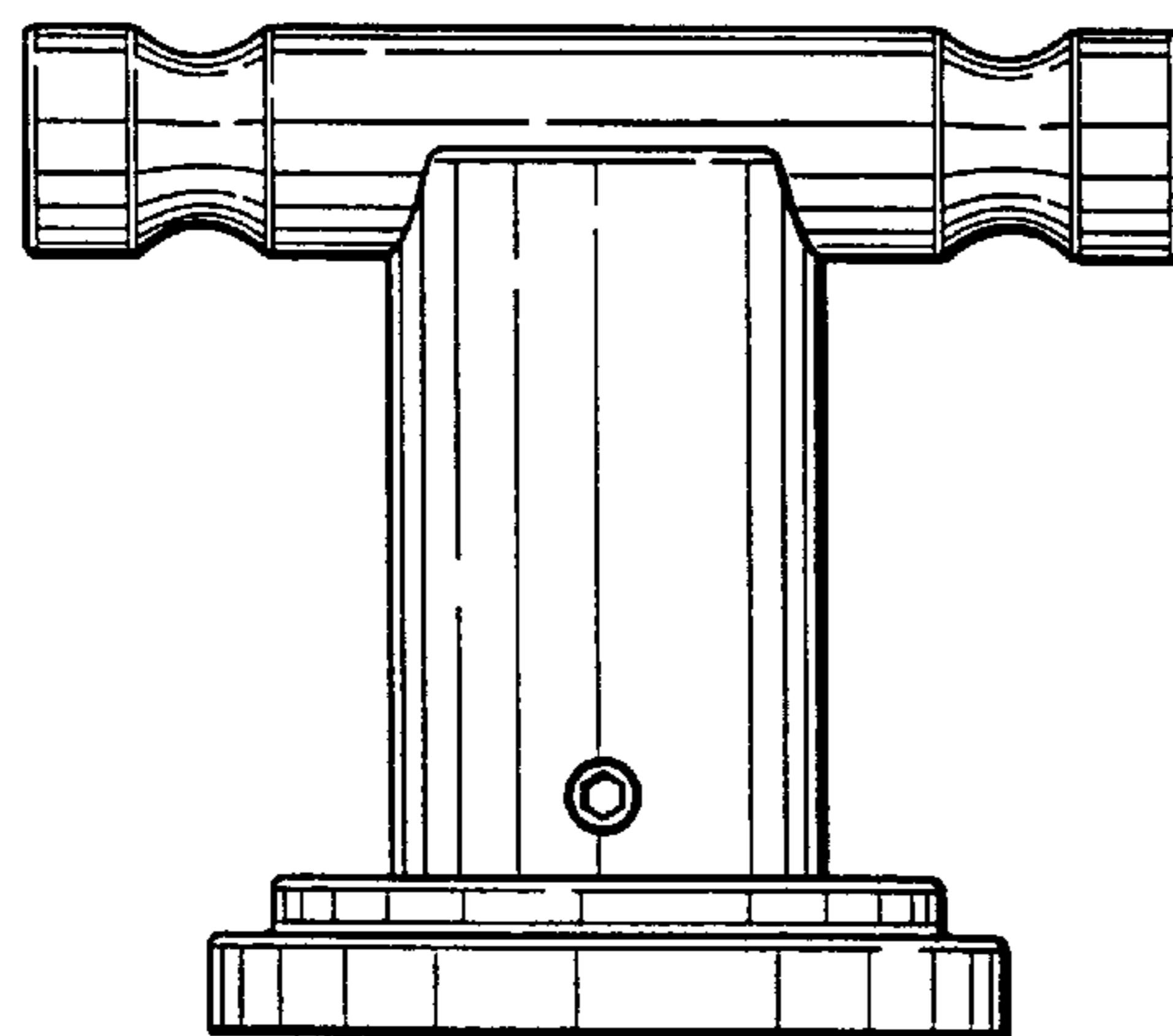


FIG. 5