



US00D450565B1

(12) **United States Design Patent**
DiBianca

(10) **Patent No.:** **US D450,565 S**

(45) **Date of Patent:** **** Nov. 20, 2001**

(54) **BILLET PULLEY RETAINER**

(76) Inventor: **John DiBianca**, P.O. Box 2192, Hobe Sound, FL (US) 33475

(**) Term: **14 Years**

(21) Appl. No.: **29/120,436**

(22) Filed: **Mar. 13, 2000**

(51) **LOC (7) Cl.** **08-05**

(52) **U.S. Cl.** **D8/360**

(58) **Field of Search** D34/28, 35, 29;
211/119.04, 119.05; 474/170, 169, 166,
171; D8/360

(56) **References Cited**

U.S. PATENT DOCUMENTS

D. 33,975	*	1/1901	Gardner	D8/360
D. 252,750	*	8/1979	Painter et al.	D8/360 X
D. 268,092	*	3/1983	Kanemitsu	D8/360
D. 275,365	*	9/1984	Kanemitsu	D8/360
D. 308,012	*	5/1990	Kanemitsu	D8/360
D. 317,709	*	6/1991	Kanemitsu	D8/360
D. 320,927	*	10/1991	Kanemitsu	D8/360
D. 322,553	*	12/1991	Kanemitsu	D8/360

D. 332,909	*	2/1993	Kanemitsu et al.	D8/360
D. 332,910	*	2/1993	Kanemitsu et al.	D8/360
D. 333,084	*	2/1993	Kanemitsu et al.	D8/360
D. 333,606	*	3/1993	Kanemitsu et al.	D8/360
D. 333,777	*	3/1993	Kanemitsu et al.	D8/360
D. 347,378	*	5/1994	Warner	D8/360
D. 436,023	*	1/2001	Johnson	D8/360
5,147,248	*	9/1992	Lewis et al.	474/166
5,454,760	*	10/1995	Aranibar	474/166

* cited by examiner

Primary Examiner—Cynthia E. Ramirez
(74) *Attorney, Agent, or Firm*—Kevin Redmond

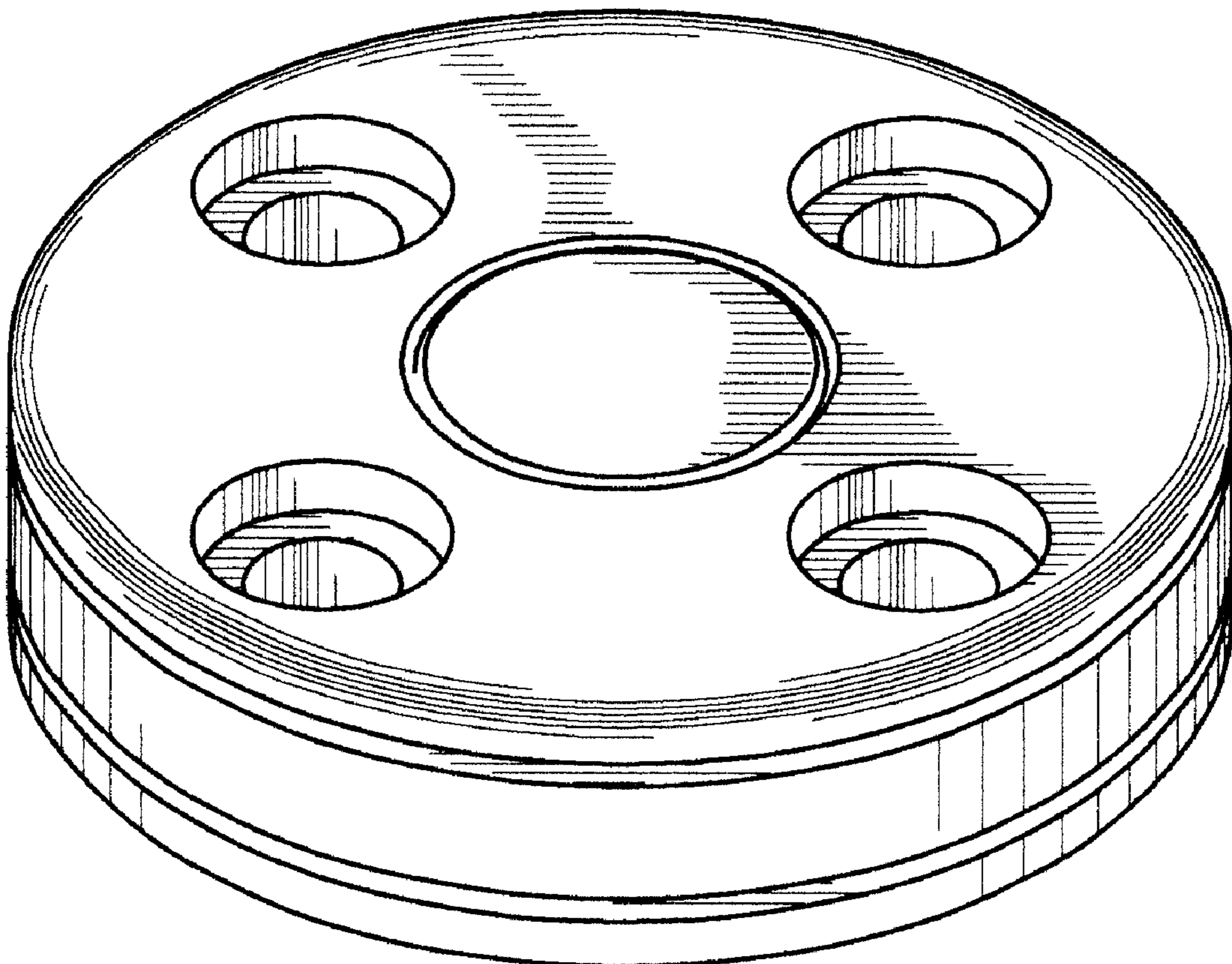
(57) **CLAIM**

I claim the ornamental design for a billet pulley retainer, as shown and described.

DESCRIPTION

FIG. 1 is a top view of the subject invention.
FIG. 2 is a bottom view of the subject invention.
FIG. 3 is a front-top perspective view of the subject invention; and,
FIG. 4 is a rear-bottom view of the subject invention.

1 Claim, 2 Drawing Sheets



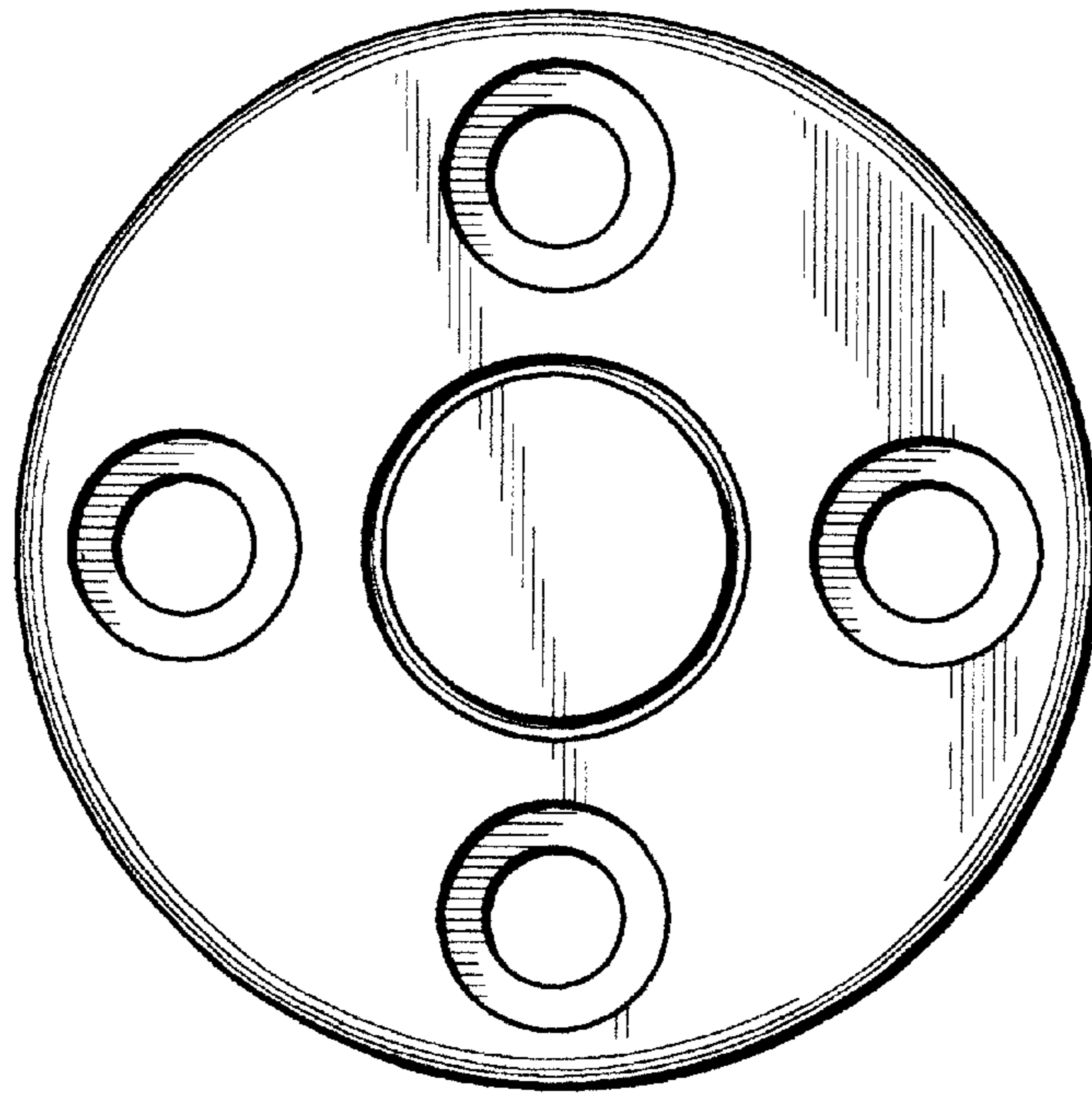


Fig. 1

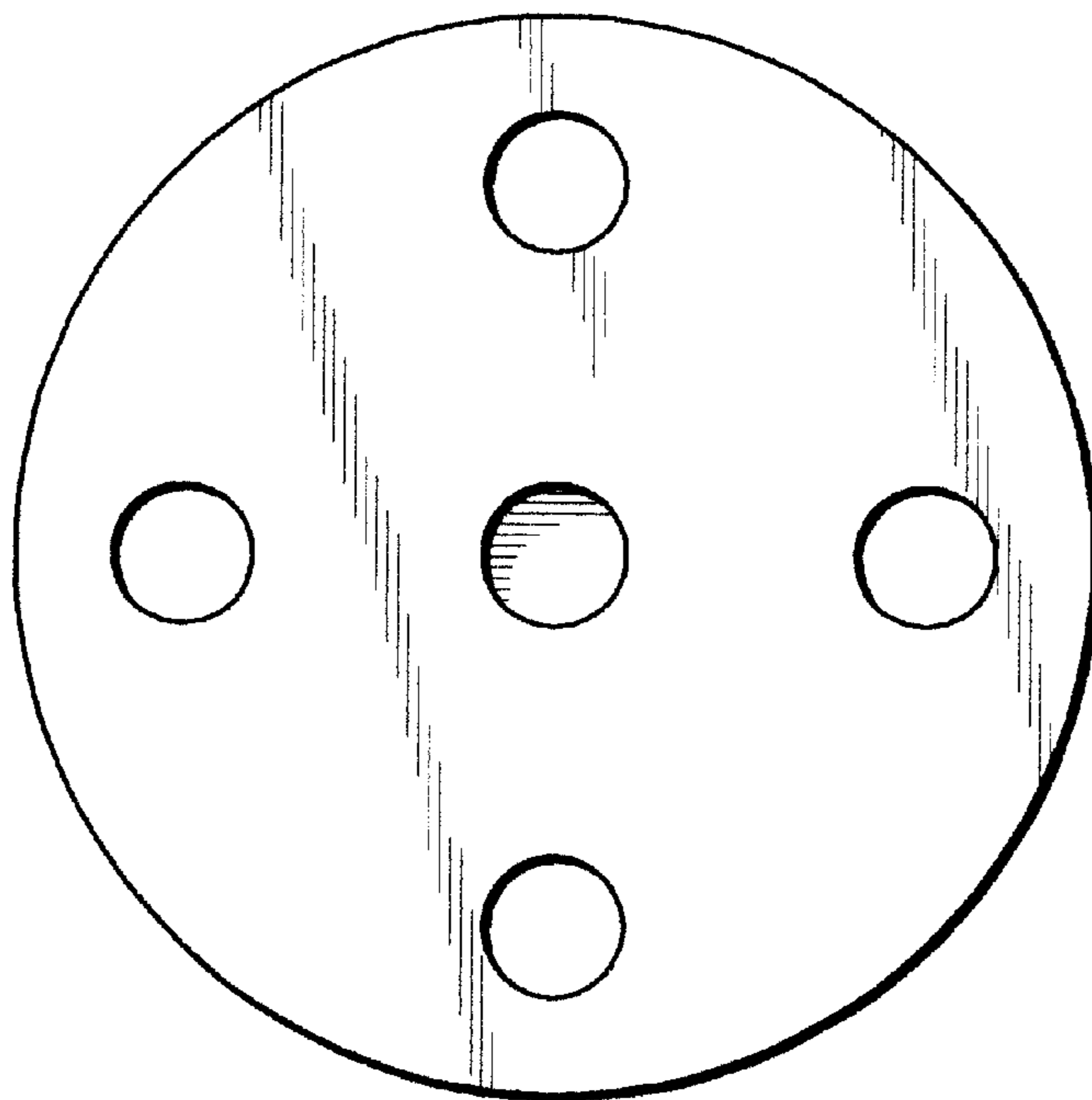


Fig. 2

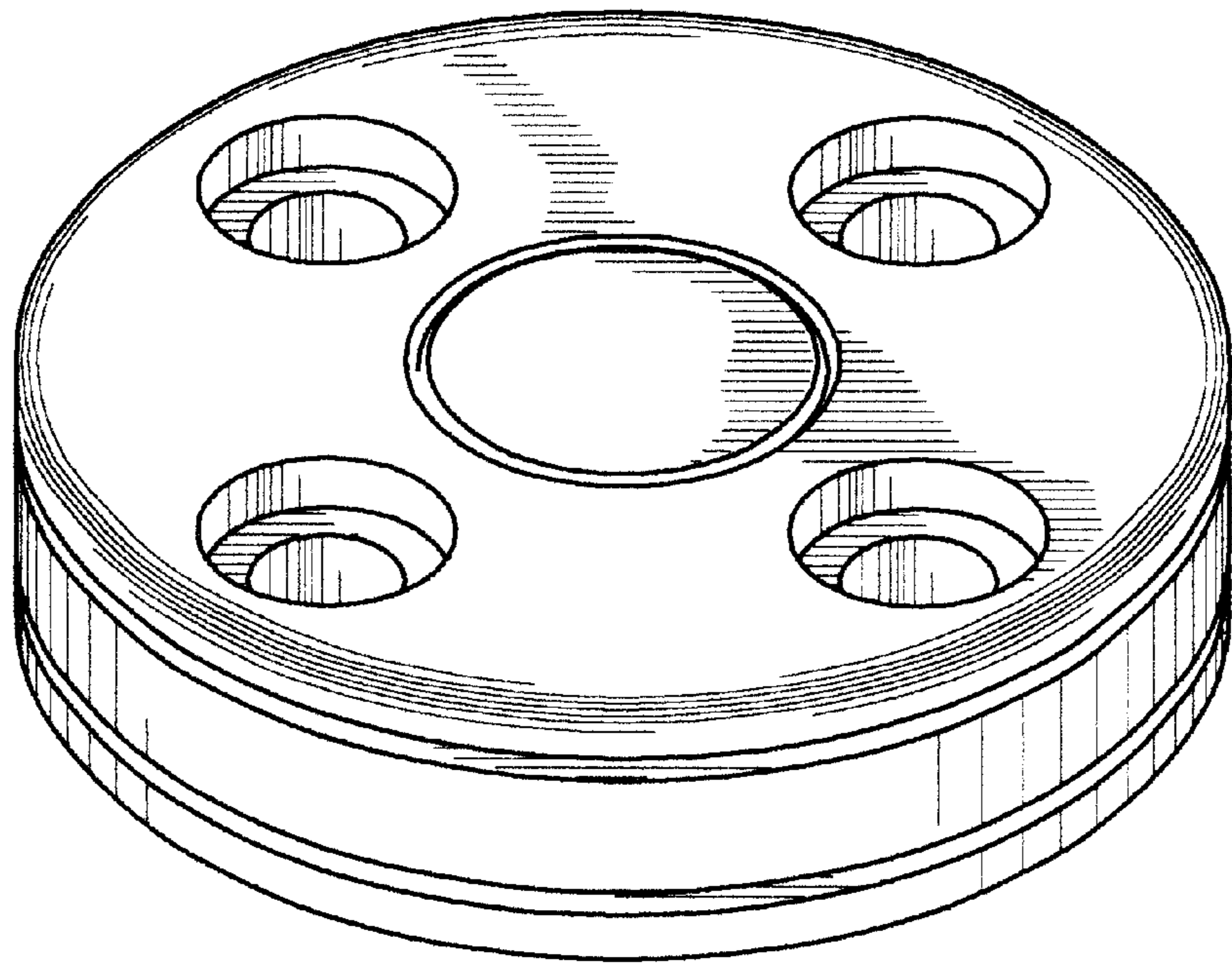


Fig. 3

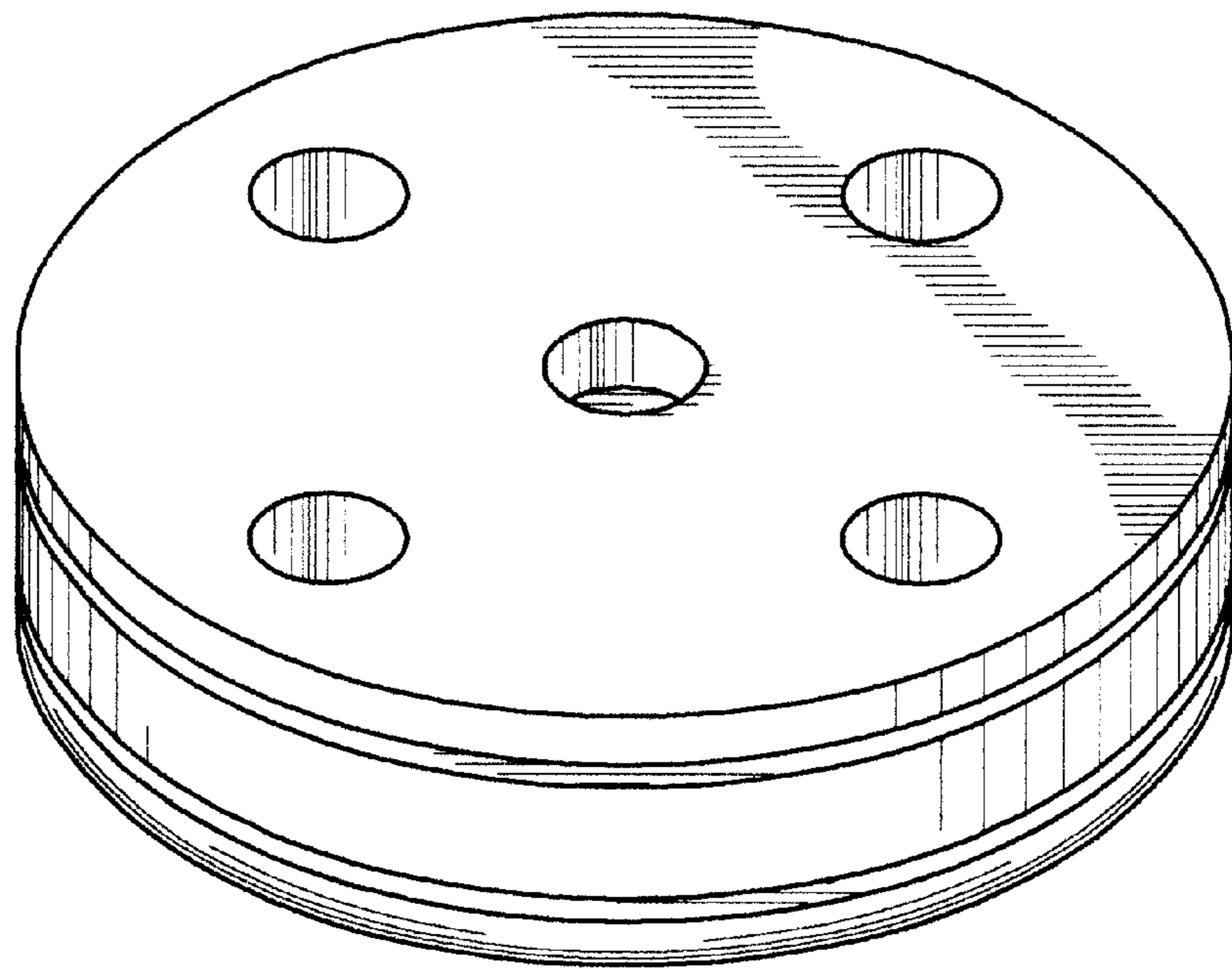


Fig. 4