



US00D450564B1

(12) **United States Design Patent**
Kane et al.

(10) **Patent No.:** **US D450,564 S**

(45) **Date of Patent:** **** Nov. 20, 2001**

(54) **WIRE MANAGEMENT BAG**

5,602,364 * 2/1997 Ustin 174/68.3
5,986,212 * 11/1999 Lhota 174/68.3

(75) Inventors: **Brian Kane; Brian Graham; Mark Kapka**, all of San Francisco, CA (US)

* cited by examiner

(73) Assignee: **Falcon Products, Inc.**, St. Louis, MO (US)

Primary Examiner—Pamela Burgess

(74) *Attorney, Agent, or Firm*—Polster, Lieder, Woodruff & Lucchesi, LC

(**) Term: **14 Years**

(57) **CLAIM**

(21) Appl. No.: **29/127,678**

The ornamental design for the wire management bag, as shown and described.

(22) Filed: **Aug. 4, 2000**

DESCRIPTION

(51) **LOC (7) Cl.** **08-05**

(52) **U.S. Cl.** **D8/356**

(58) **Field of Search** D8/356, 354; 174/68.3, 174/95, 72 C, 72 R; 52/39; 248/49, 68.1, 63, 60, 65, 48.1, 74.3; 206/702

FIG. 1 is a perspective view of a wire management bag showing our new design, the broken lines representing a table are for illustrative purposes only and form no part of the claimed design;

FIG. 2 is an end elevational view thereof, the opposite end being a mirror image;

FIG. 3 is a front elevational view thereof;

FIG. 4 is a rear elevational view thereof;

FIG. 5 is a top plan view thereof; and,

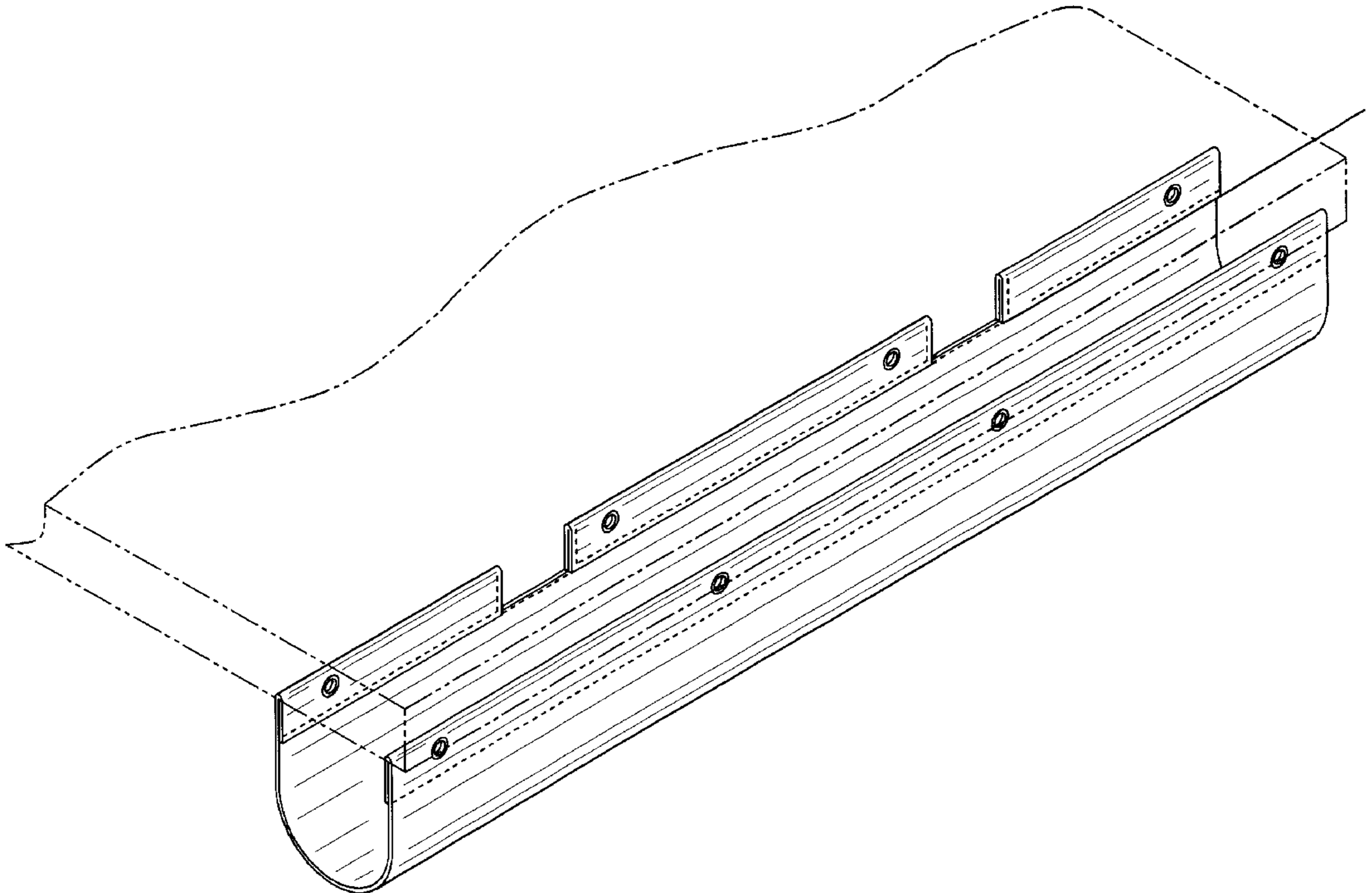
FIG. 6 is a bottom plan view thereof.

(56) **References Cited**

U.S. PATENT DOCUMENTS

D. 378,731 * 4/1997 Kopish D8/356
D. 389,034 * 1/1998 Lewis D8/356
5,215,280 * 6/1993 Tigrett 248/68.1

1 Claim, 2 Drawing Sheets



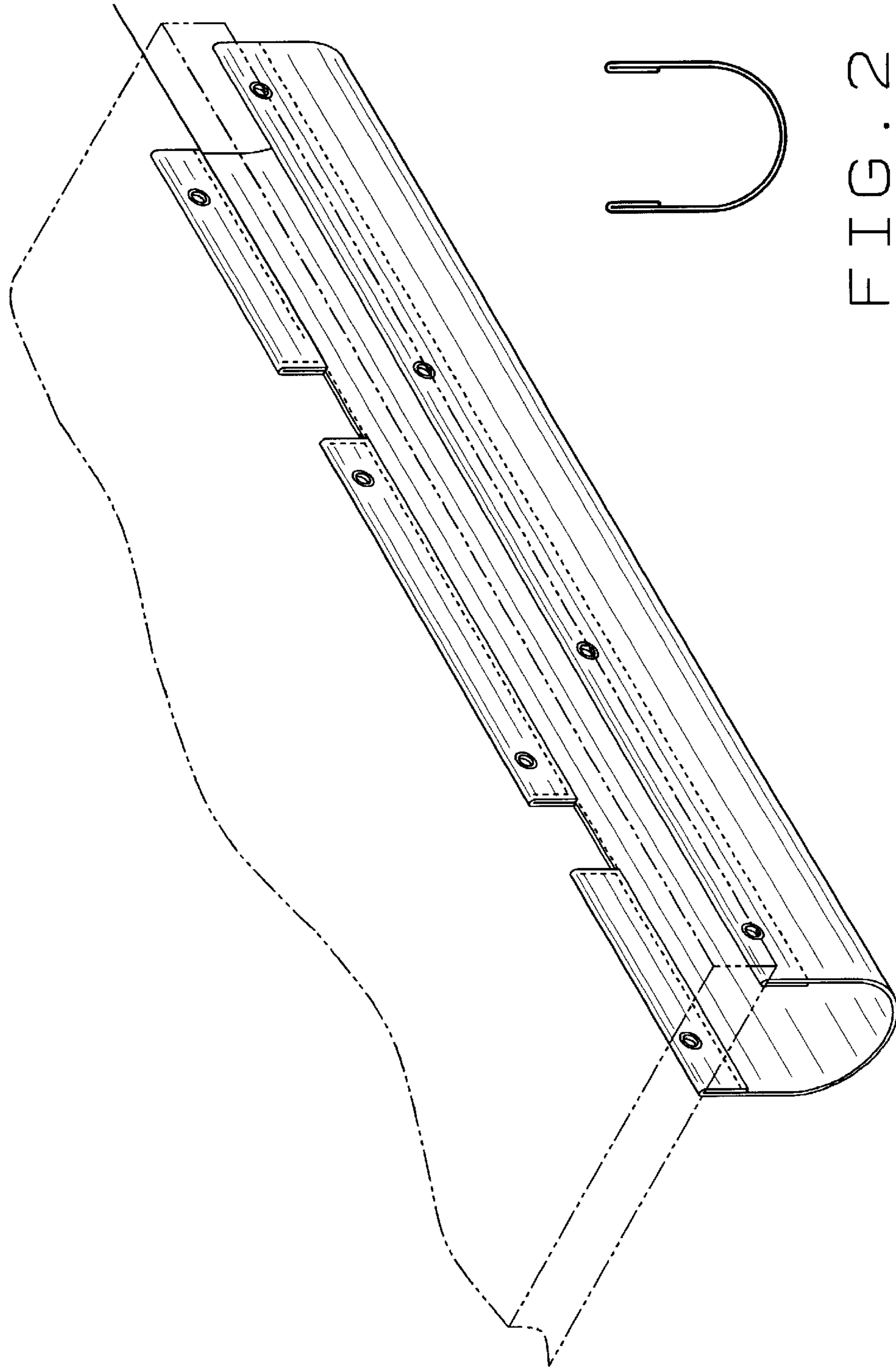


FIG. 1

FIG. 2

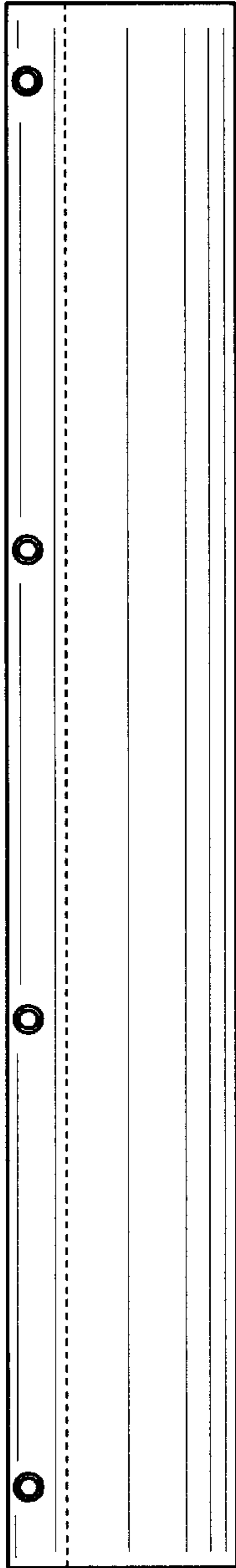


FIG. 3

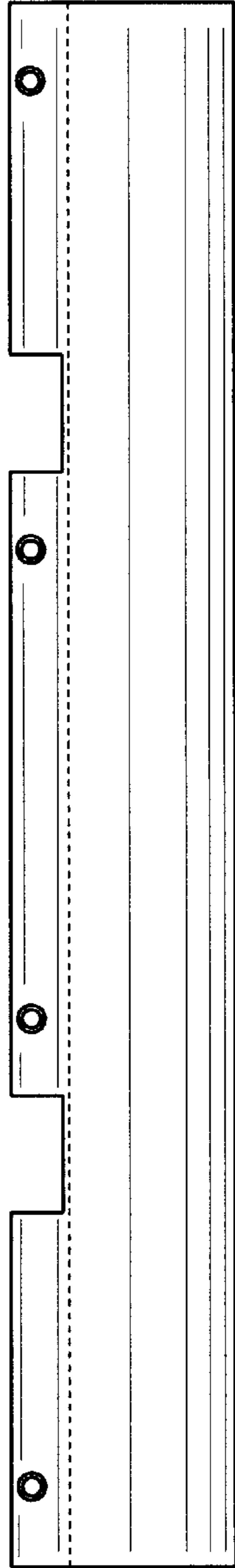


FIG. 4

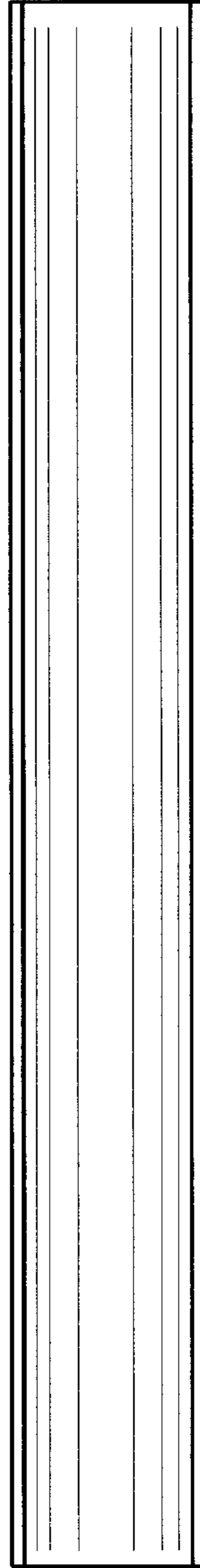


FIG. 5

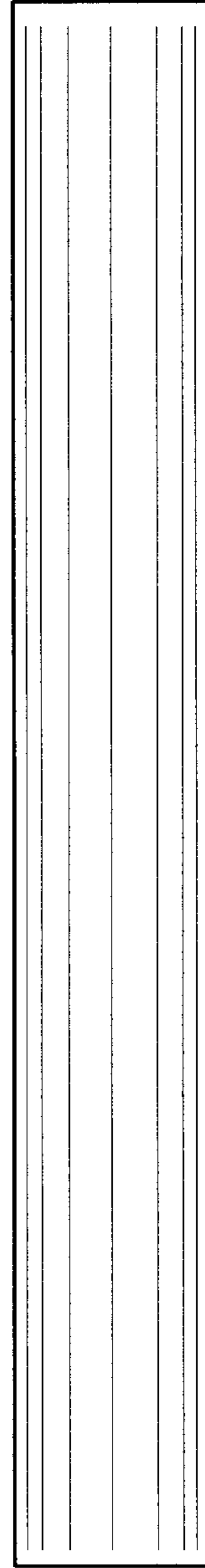


FIG. 6