



US00D450562B1

(12) **United States Design Patent**  
**Clark**

(10) **Patent No.:** **US D450,562 S**

(45) **Date of Patent:** **\*\* Nov. 20, 2001**

(54) **MODULAR FURNITURE ADAPTER  
FACEPLATE**

(75) **Inventor:** **Gordon P. Clark**, Eden Prairie, MN  
(US)

(73) **Assignee:** **ADC Telecommunications, Inc.**,  
Minnetonka, MN (US)

(\*\*) **Term:** **14 Years**

(21) **Appl. No.:** **29/119,772**

(22) **Filed:** **Mar. 7, 2000**

(51) **LOC (7) Cl.** ..... **11-05**

(52) **U.S. Cl.** ..... **D8/353**

(58) **Field of Search** ..... D8/350, 352, 353;  
D13/177; 220/241; 439/491; 174/66; 40/642.02

(56) **References Cited**

**U.S. PATENT DOCUMENTS**

- D. 348,825 7/1994 Below .
- D. 387,267 12/1997 Brown .
- D. 396,474 7/1998 Lin ..... D14/256

(List continued on next page.)

**OTHER PUBLICATIONS**

MOD-TAP Product and Applications Guide pages—front cover page, binding, pp. C through C-15, and back cover page, dated 1997.

(List continued on next page.)

*Primary Examiner*—B. J. Bullock

(74) *Attorney, Agent, or Firm*—Merchant & Gould P.C.

(57) **CLAIM**

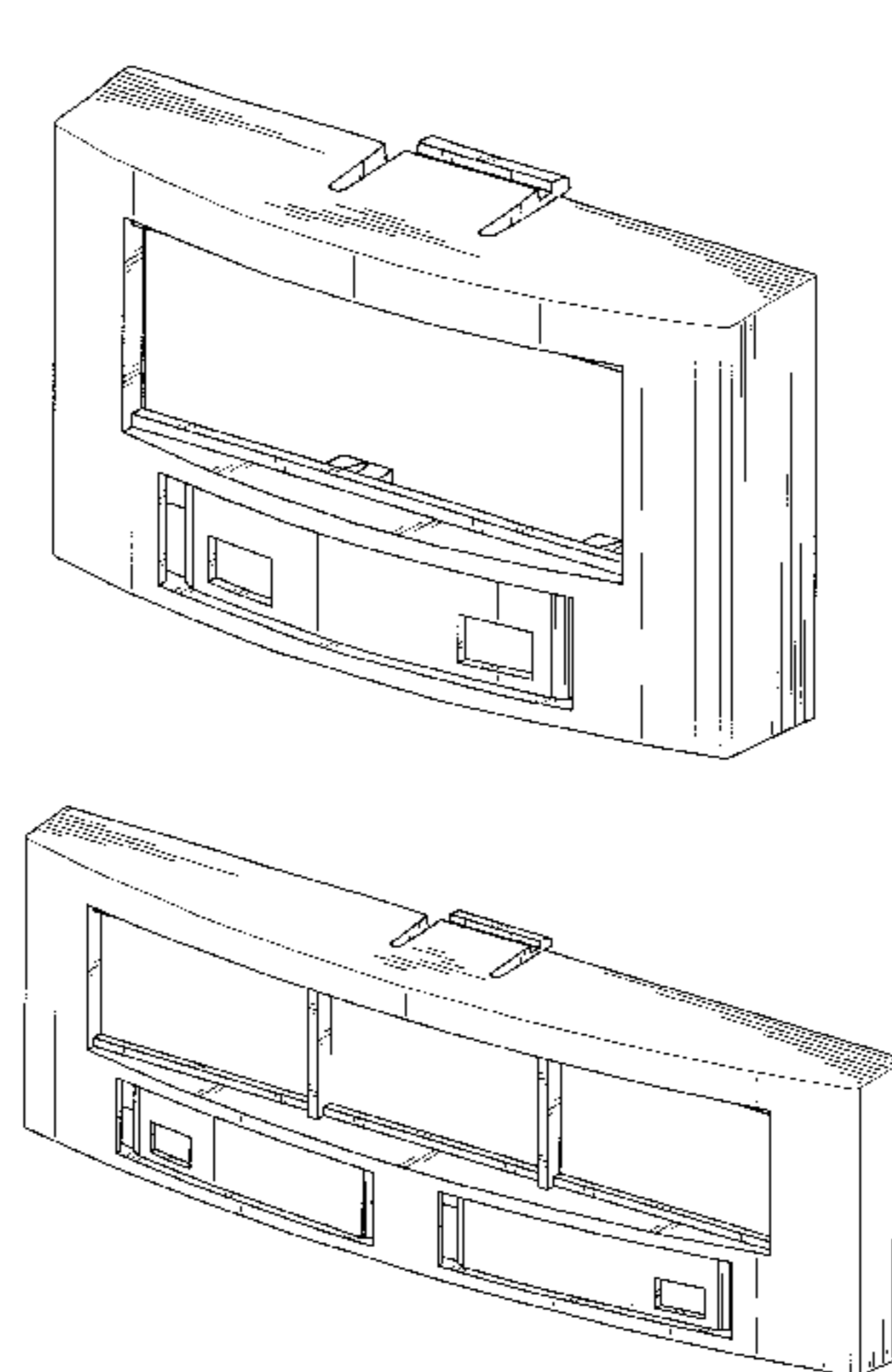
The ornamental design for a modular furniture adapter faceplate, as shown and described.

**DESCRIPTION**

FIG. 1 is a top perspective view of a modular furniture adapter faceplate showing my new design;

FIG. 2 is a bottom perspective view thereof;  
 FIG. 3 is a front elevational view thereof;  
 FIG. 4 is a back elevational view thereof;  
 FIG. 5 is a top plan view thereof;  
 FIG. 6 is a bottom plan view thereof;  
 FIG. 7 is a right elevational side view thereof, the left elevational side view being a mirror image;  
 FIG. 8 is a top perspective view of a second embodiment of a modular furniture adapter faceplate showing my new design;  
 FIG. 9 is a bottom perspective view of the second embodiment thereof;  
 FIG. 10 is a front elevational view of the second embodiment thereof;  
 FIG. 11 is a back elevational view of the second embodiment thereof;  
 FIG. 12 is a top plan view of the second embodiment thereof;  
 FIG. 13 is a bottom plan view of the second embodiment thereof;  
 FIG. 14 is a right elevational side view of the second embodiment thereof, the left elevational side view being a mirror image;  
 FIG. 15 is a top perspective view of a third embodiment of a modular furniture adapter faceplate showing my new design;  
 FIG. 16 is a bottom perspective view of the third embodiment thereof;  
 FIG. 17 is a front elevational view of the third embodiment thereof;  
 FIG. 18 is a back elevational view of the third embodiment thereof;  
 FIG. 19 is a top plan view of the third embodiment thereof;  
 FIG. 20 is a bottom plan view of the third embodiment thereof; and,  
 FIG. 21 is a right elevational side view of the third embodiment thereof, the left elevational side view being a mirror image.  
 FIGS. 17-21 are shown on a reduced scale in relation to FIGS. 15 and 16.  
 The adapter faceplates mount to openings in modular furniture to hold telecommunications cable connections.

**1 Claim, 12 Drawing Sheets**



U.S. PATENT DOCUMENTS

D. 406,047	2/1999	Scherer et al. .	
D. 411,733 *	6/1999	Liu .....	D8/353
D. 418,481	1/2000	Lin .....	D13/152
D. 429,623 *	8/2000	De brey et al. .	D8/353
4,482,200	11/1984	Willenborg .	
5,486,650	1/1996	Yetter .	
5,672,074	9/1997	Block et al. .	
5,682,017	10/1997	Marrotte .	
5,770,817	6/1998	Lo .	
5,807,139	9/1998	Volansky et al. .	
5,942,724	8/1999	Russo et al. .	
5,998,732	12/1999	Caveney et al. .	

OTHER PUBLICATIONS

Anixter Structured Cabling Solutions Catalog pages—front cover page, pp. 1–81 through 1–87, and back cover page, dated 1996.

Superior Modular Products catalog pages—front cover page, pp. 21–33, Visio Network Equipment advertisement page, and back cover page.

Hubbell Premise Wiring Full Line Catalog 2200 pages—front cover page, pp. 40–57, two information pages, and back cover page.

The Siemon Company Catalog pages—front cover page, pp. 1–20 through 1–21, and back cover page, dated 1997.

Lucent Technologies SYSTIMAX® Product Guide pages—front cover page, pp. 6–9 through 6–19, and back cover page, dated Jan. 1998.

Panduit Communication Products Catalog, front cover page and pp. B1–B30, dated 1998.

Exhibit H, ADC Telecommunications brochure entitled “Enterprise™ 5000E Multimedia Outlets,” 12 pages, dated Oct. 1998.

Copy of U.S. application No. 29/103,338, filed Apr. 13, 1999.

Copy of U.S. application No. 29/103,336, filed Apr. 13, 1999.

\* cited by examiner

FIG. 1

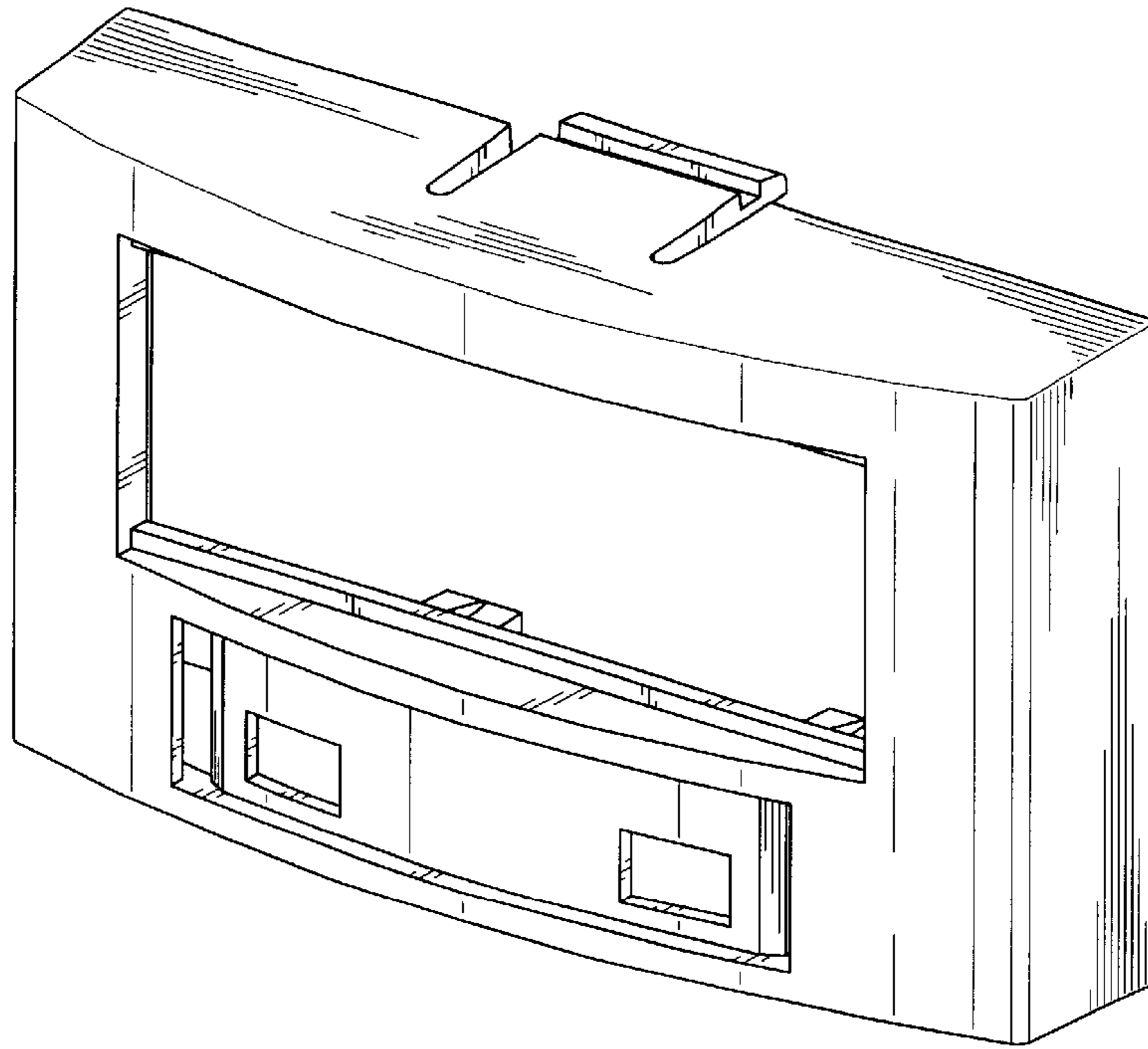


FIG. 2

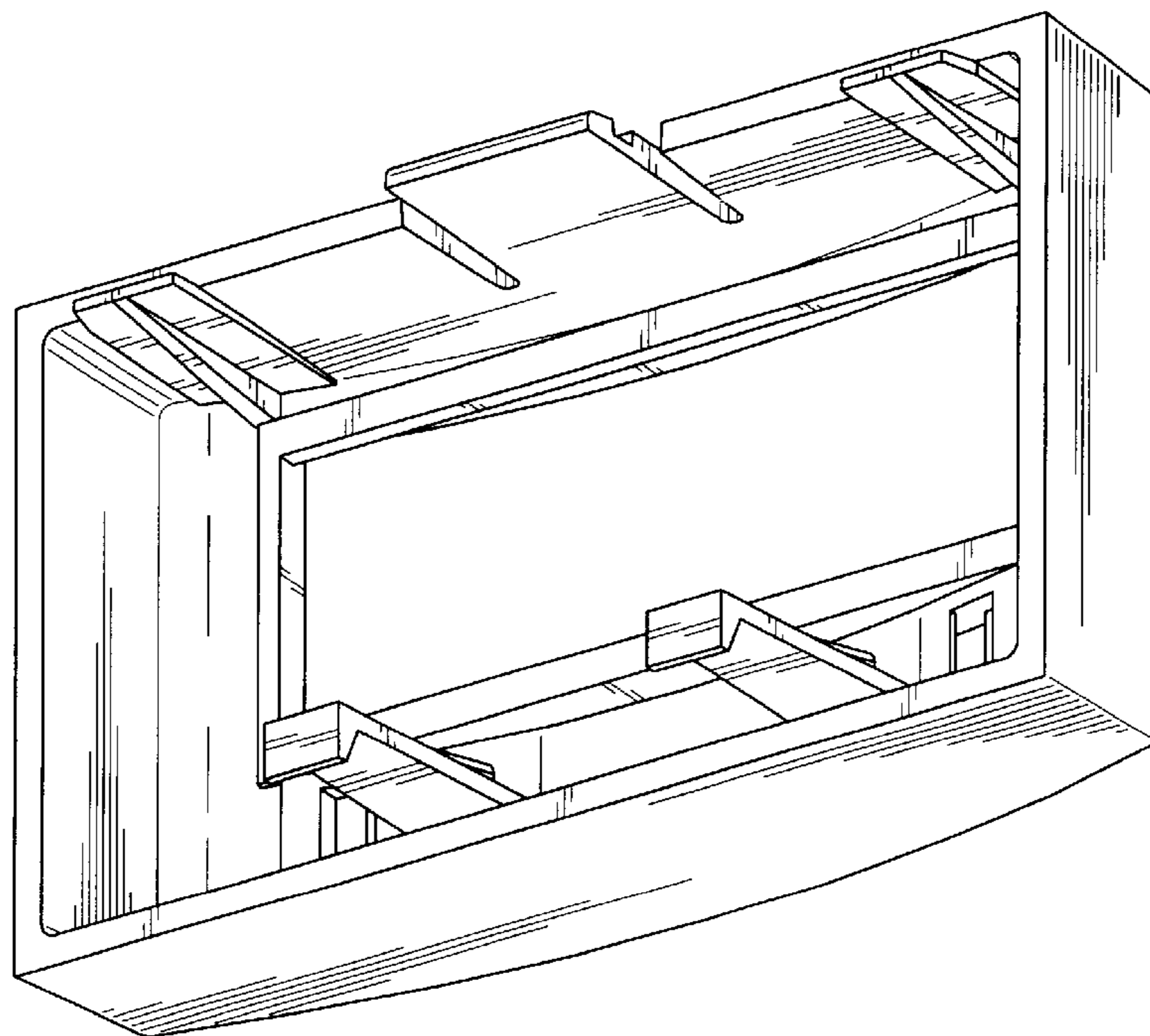


FIG. 3

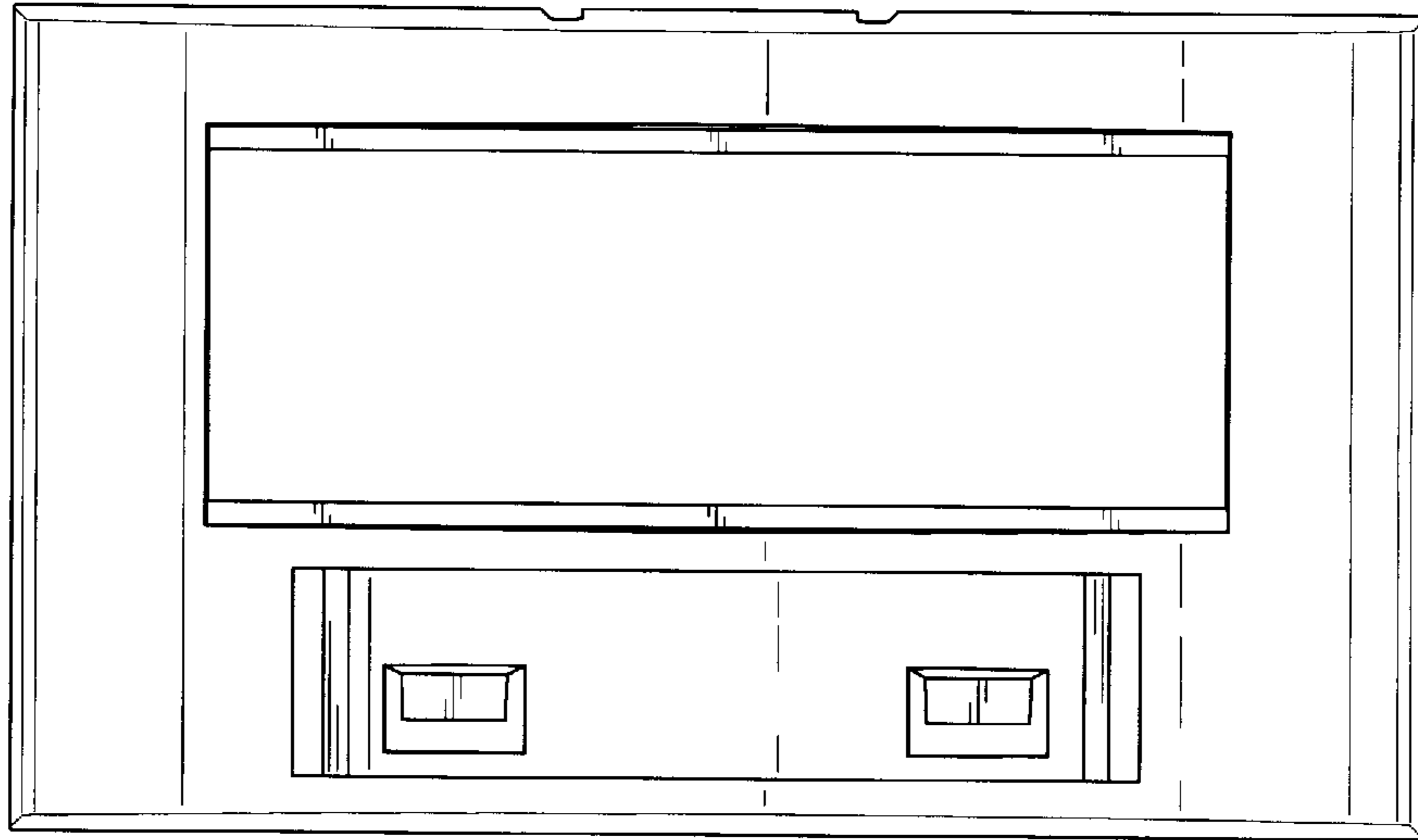


FIG. 4

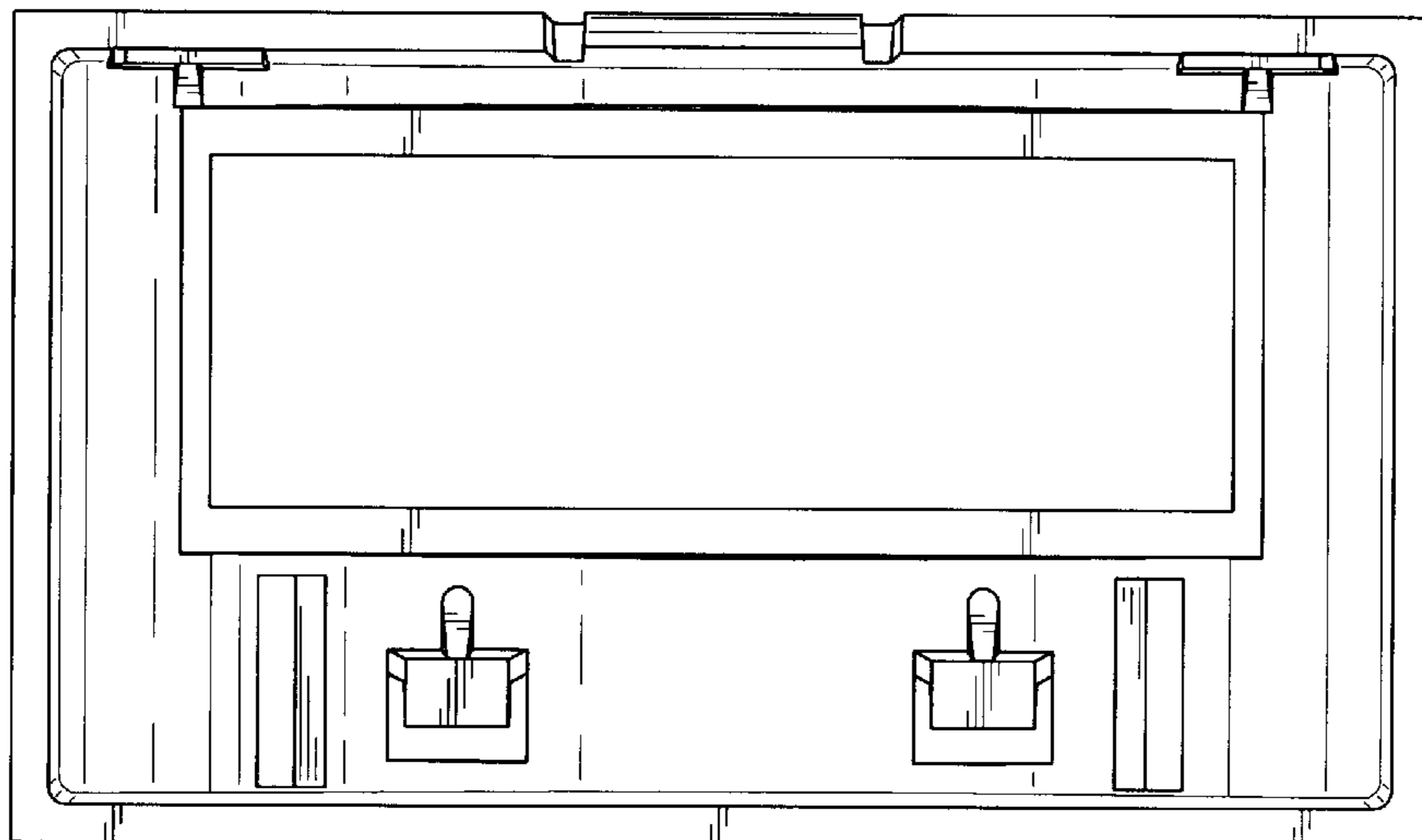


FIG. 5

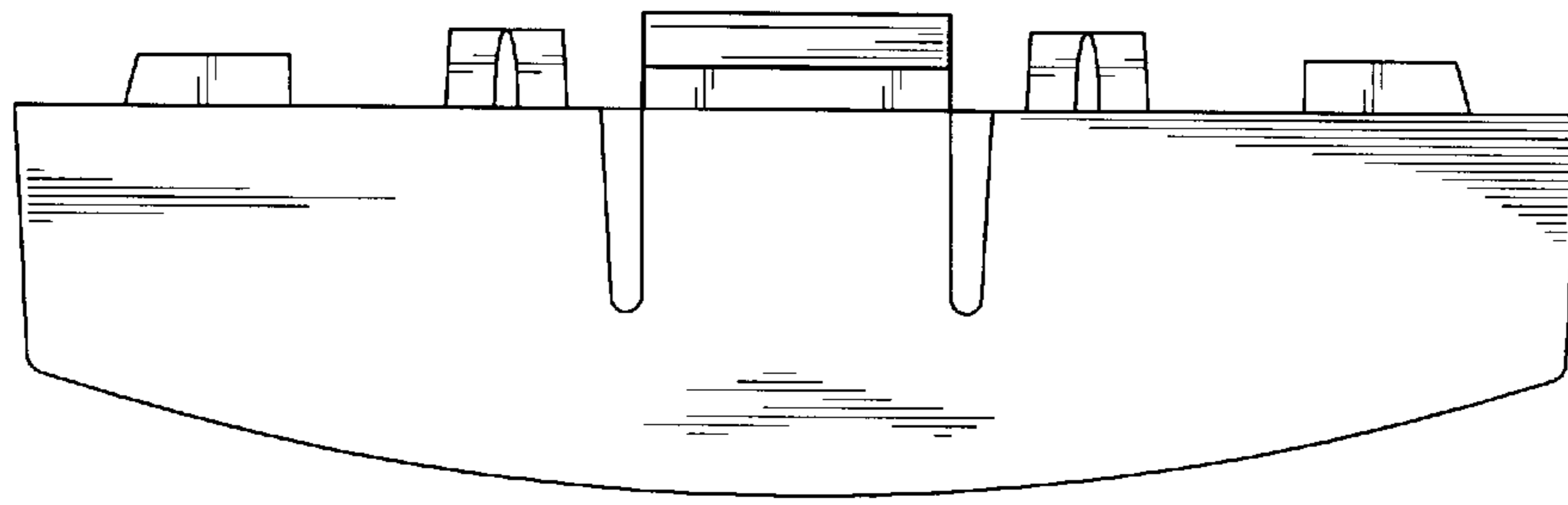


FIG. 6

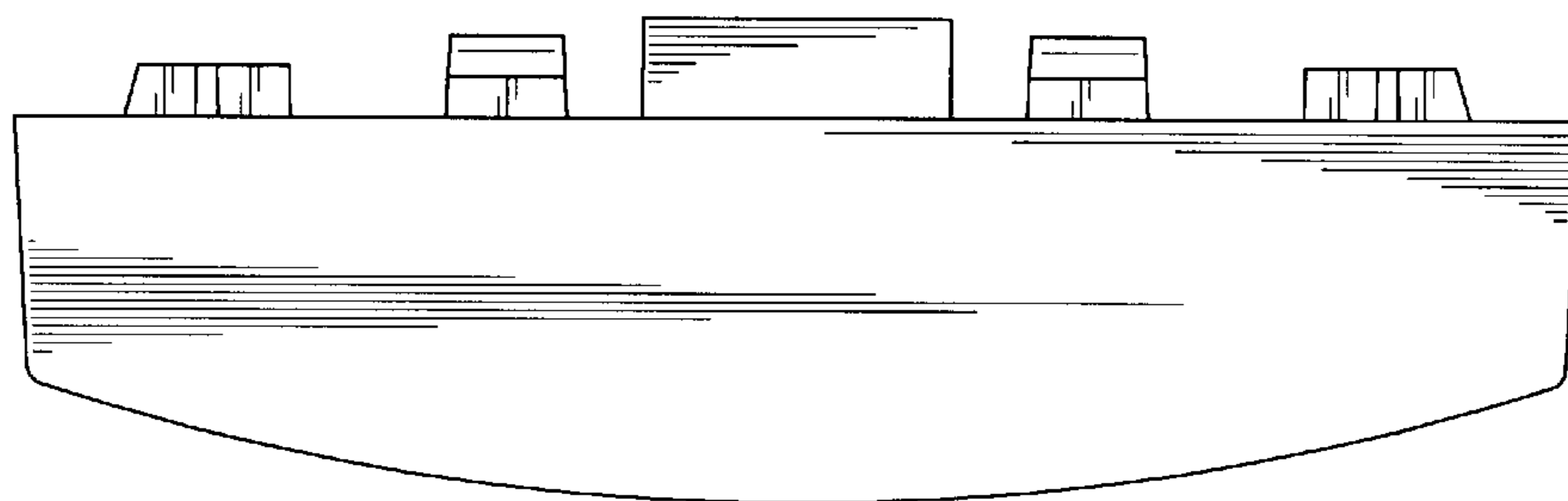


FIG. 7

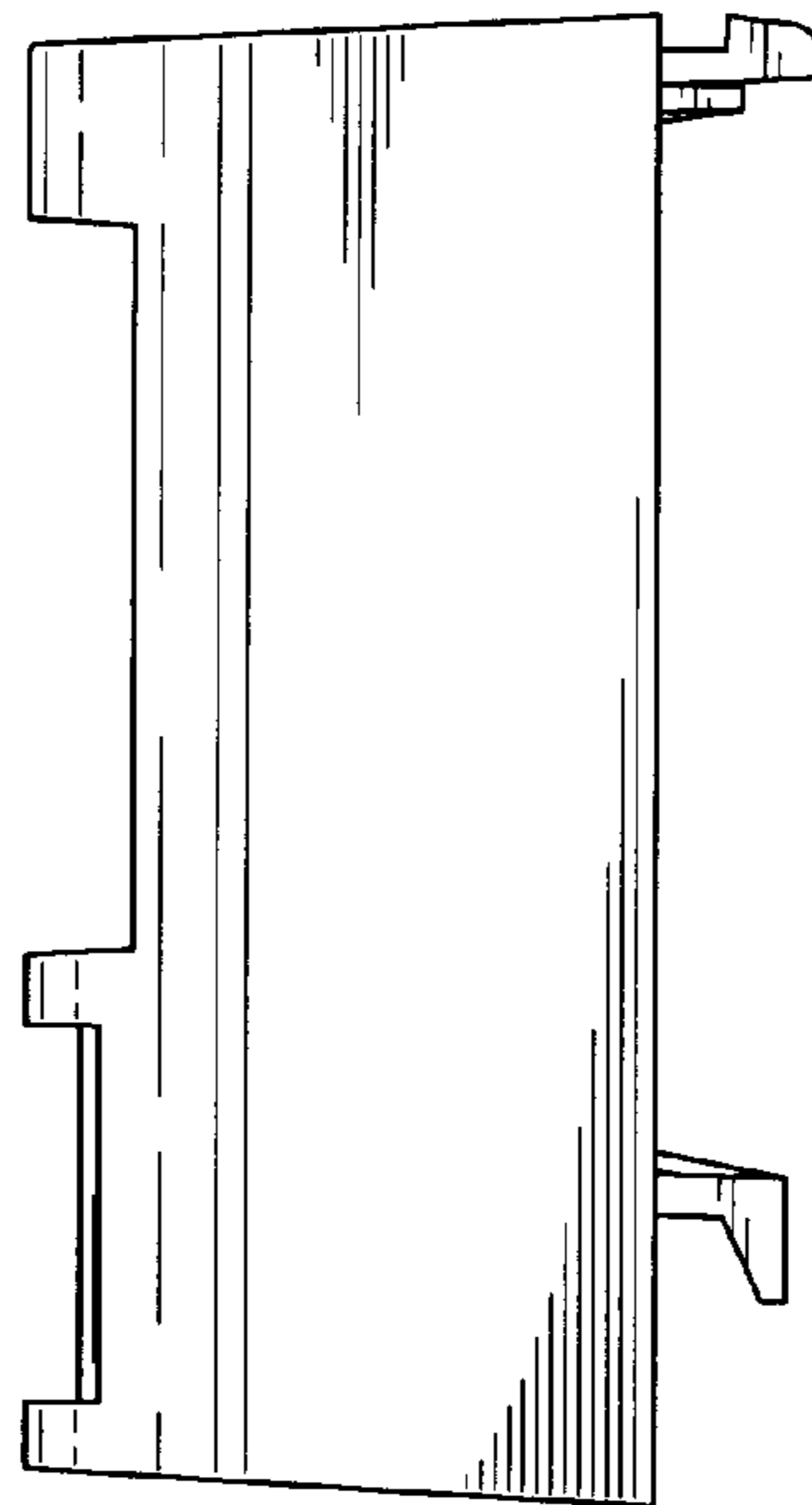


FIG. 8

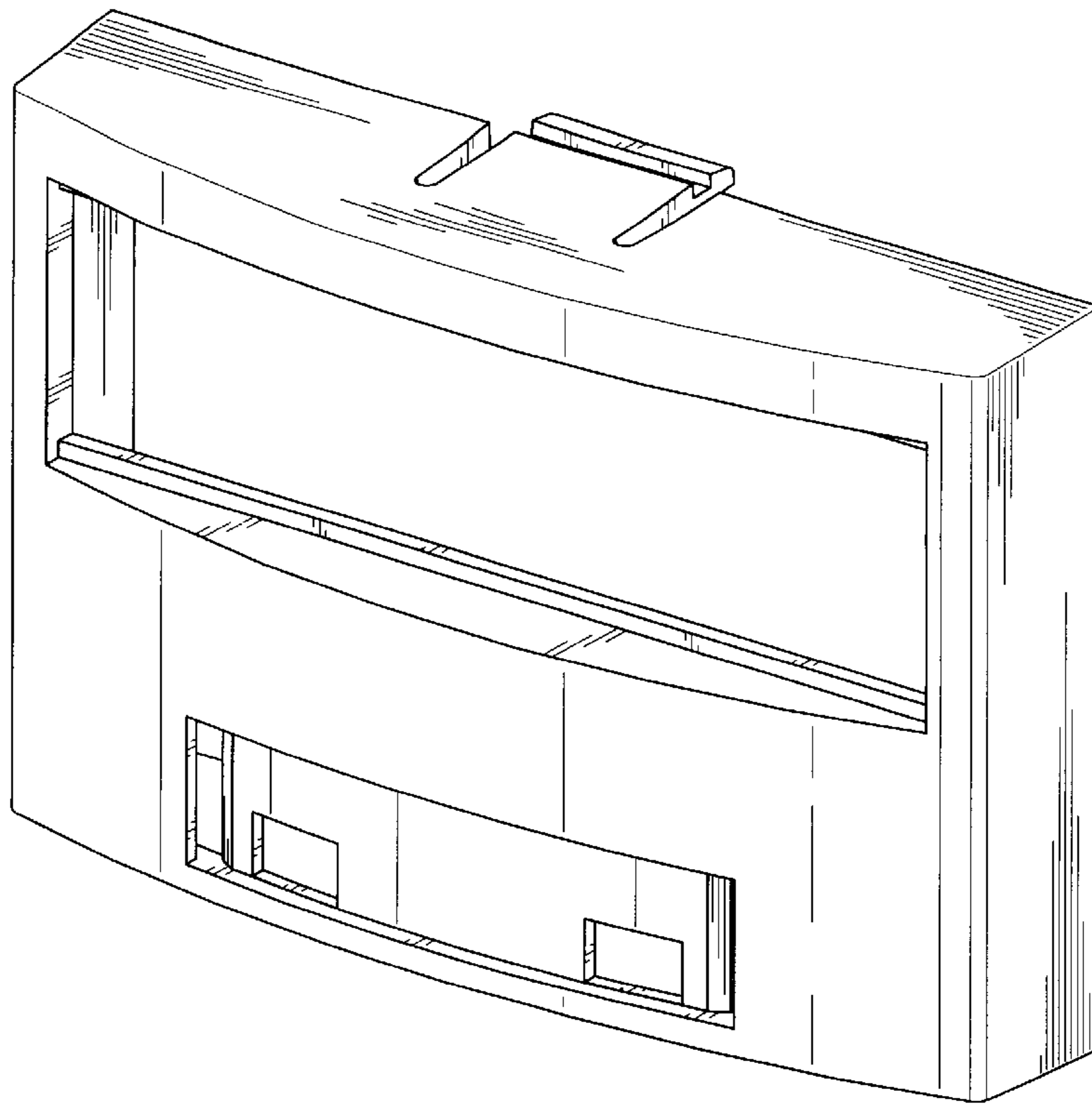


FIG. 9

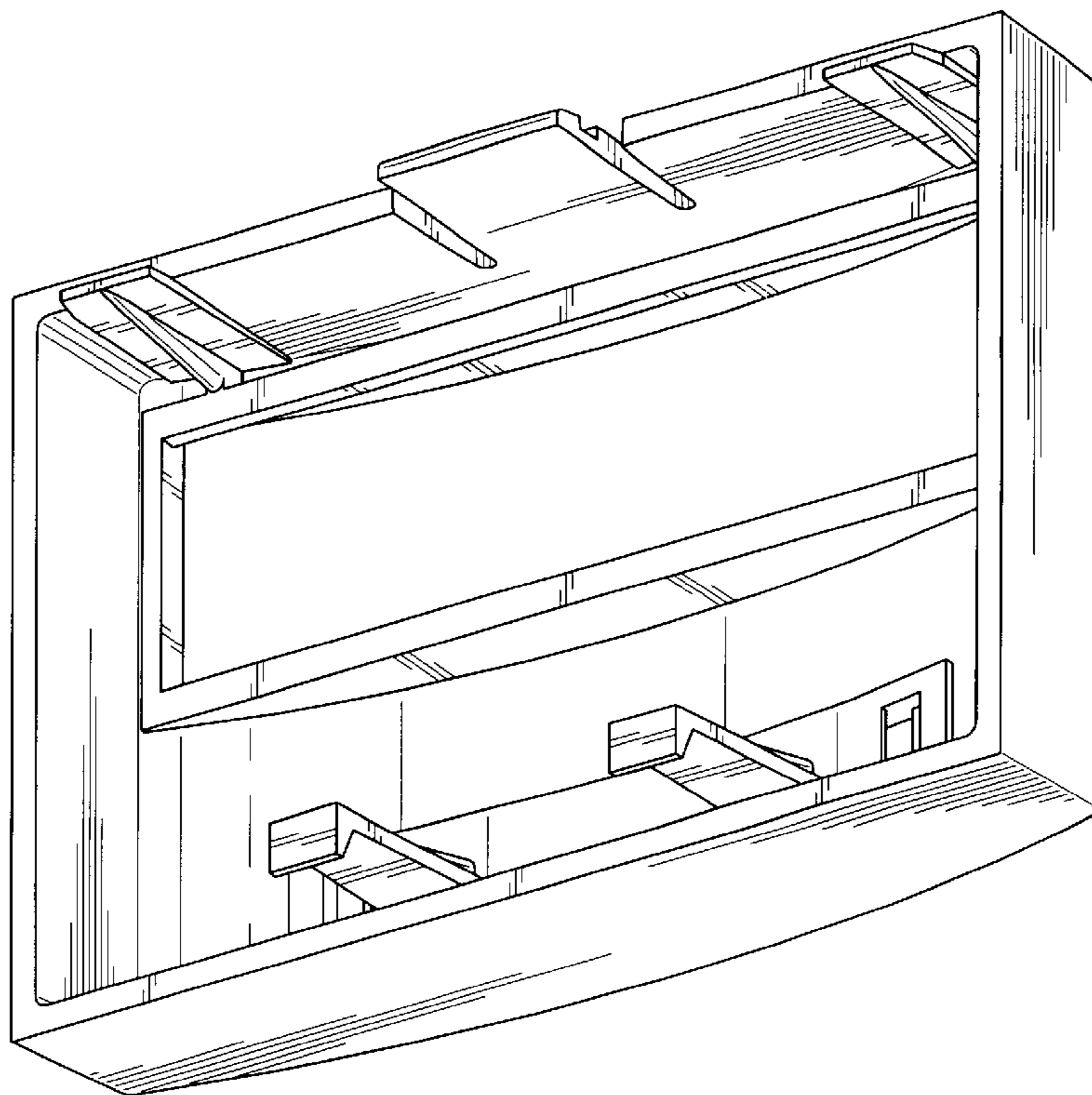


FIG. 10

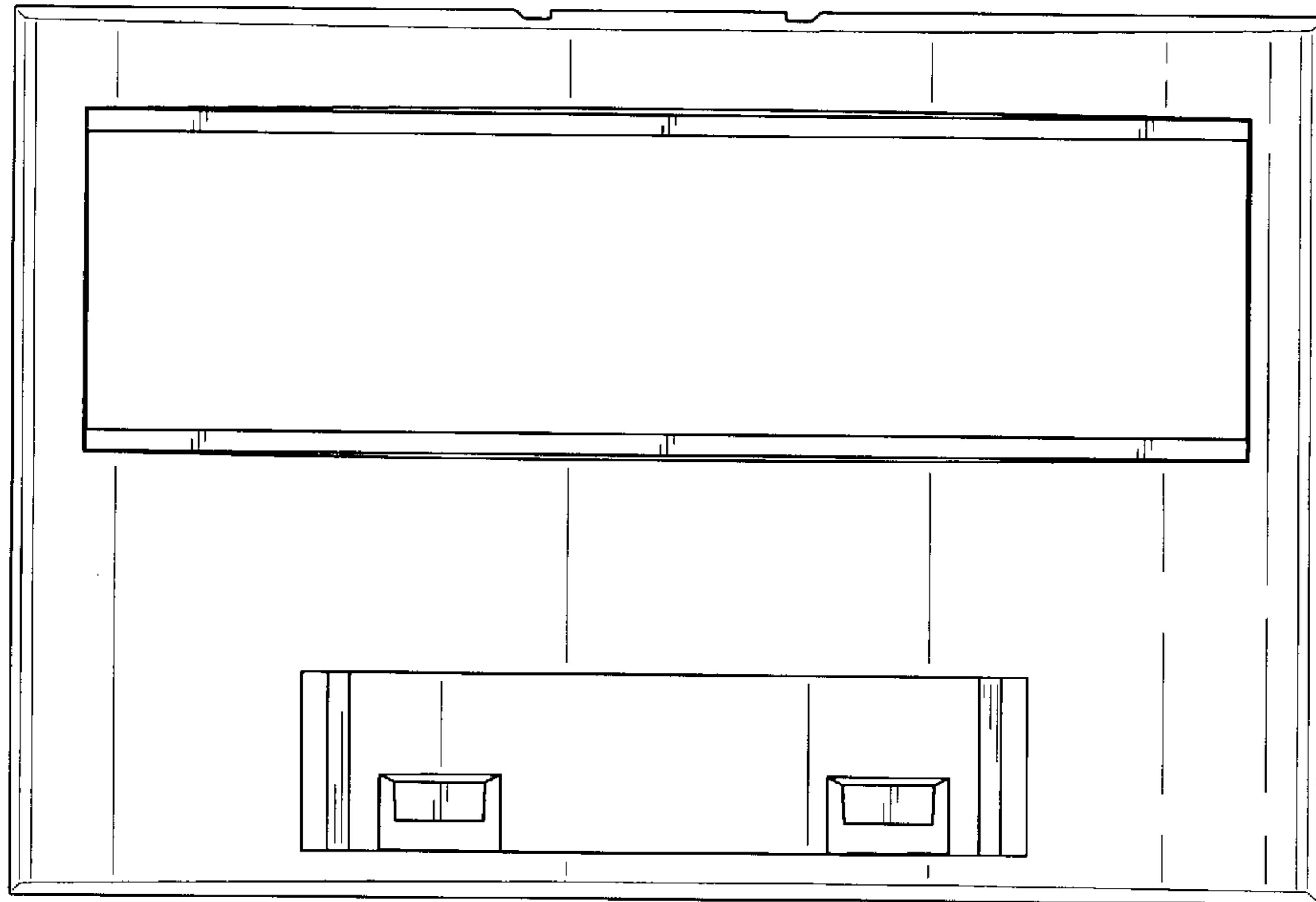


FIG. 11

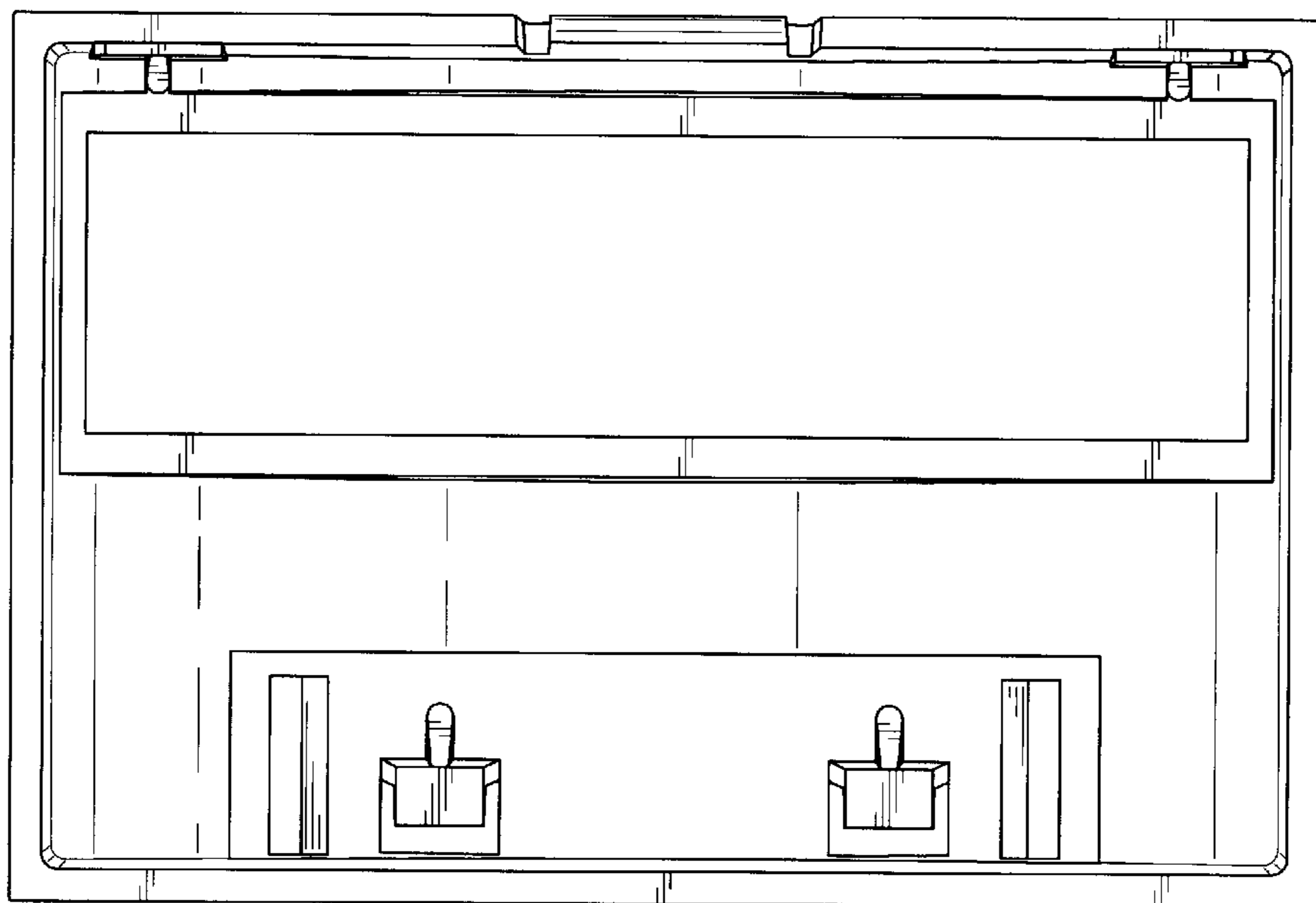




FIG. 12

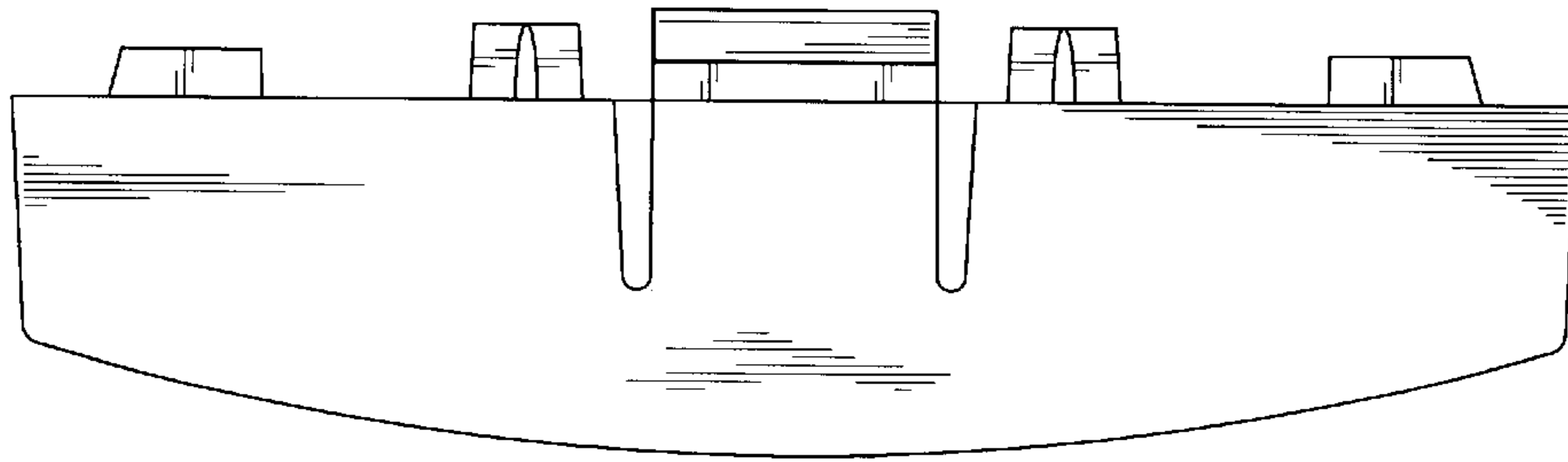


FIG. 13

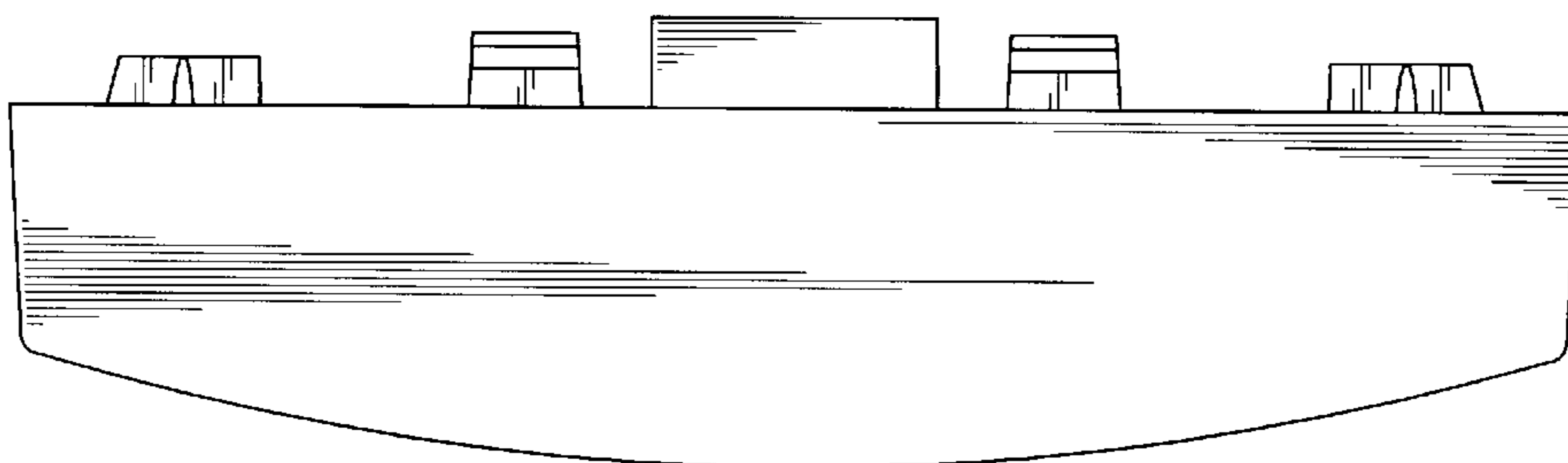


FIG. 14

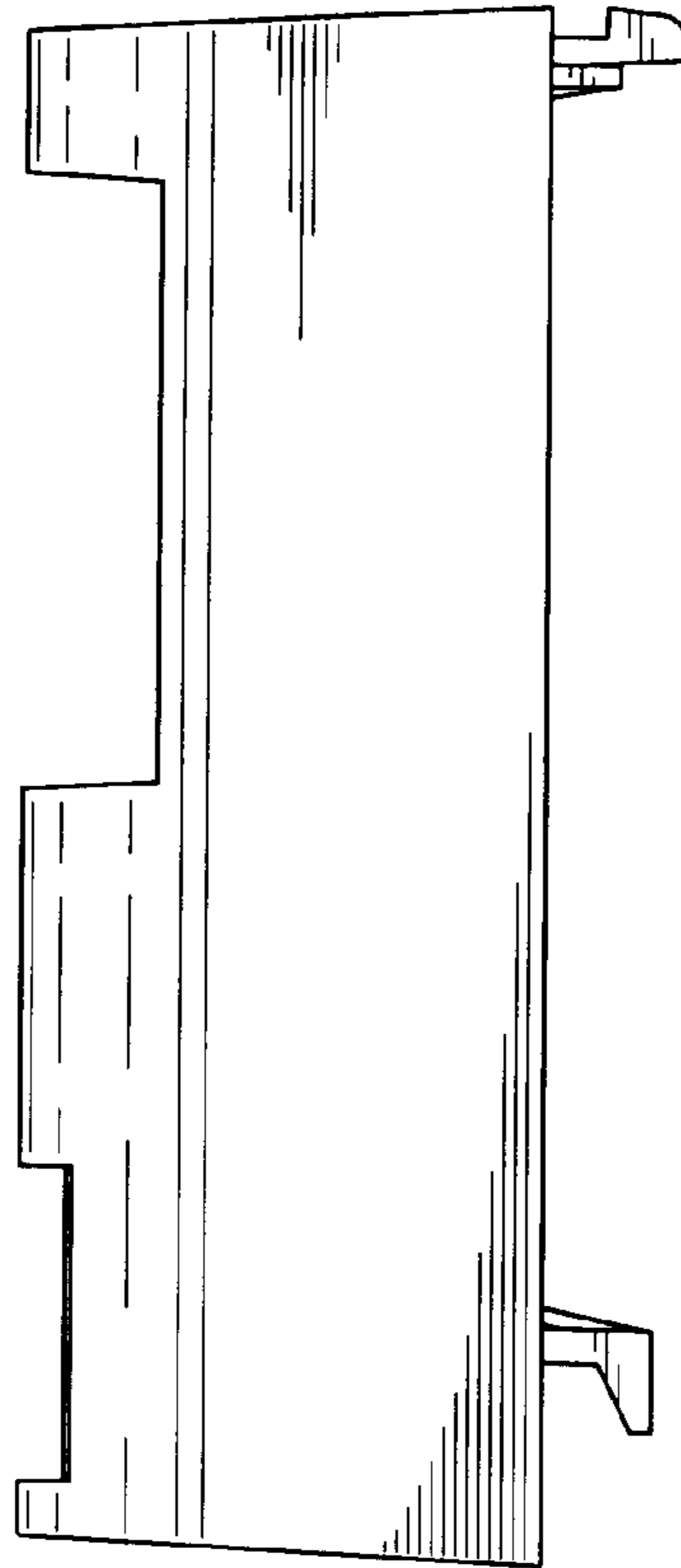


FIG. 15

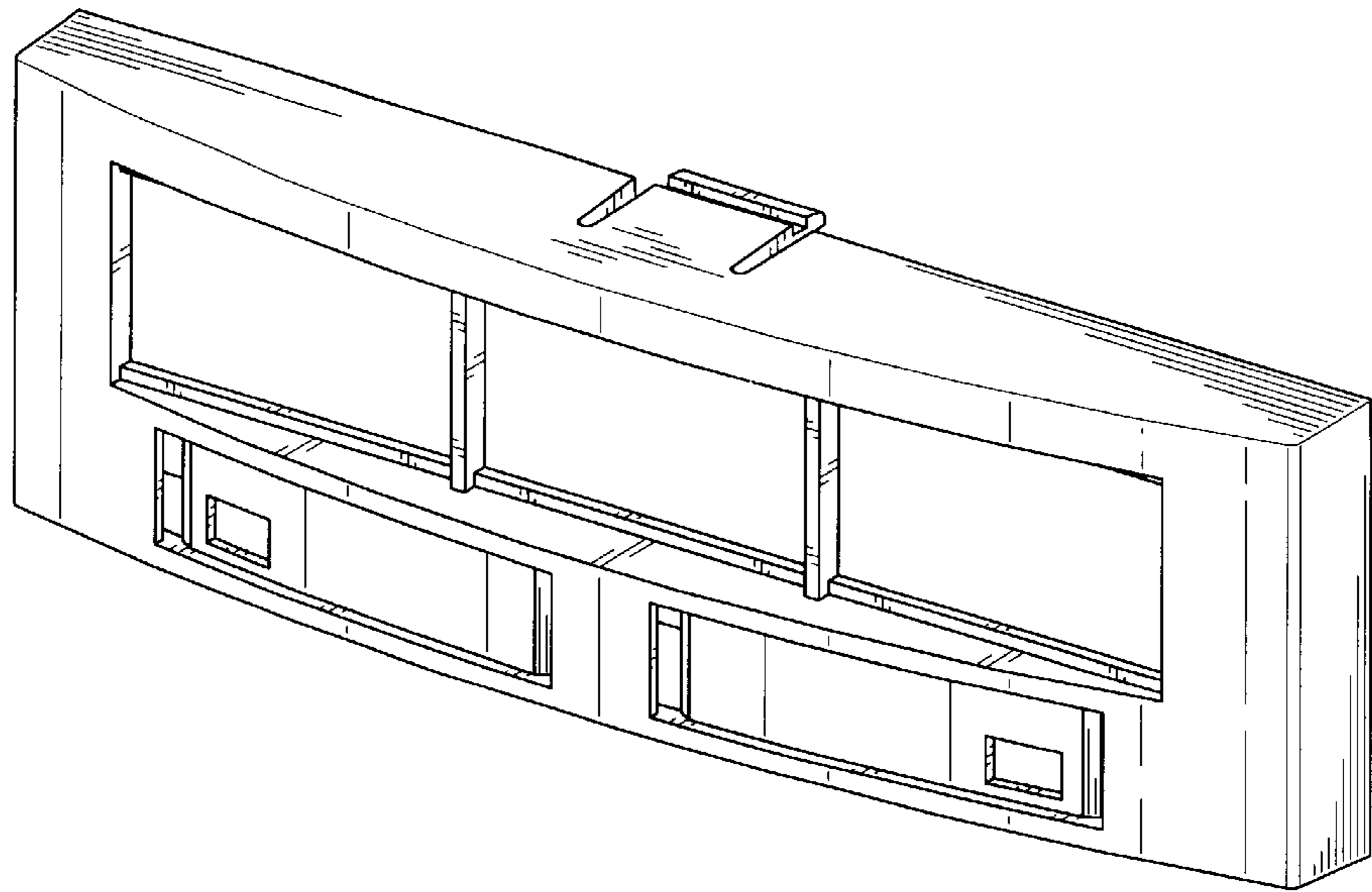
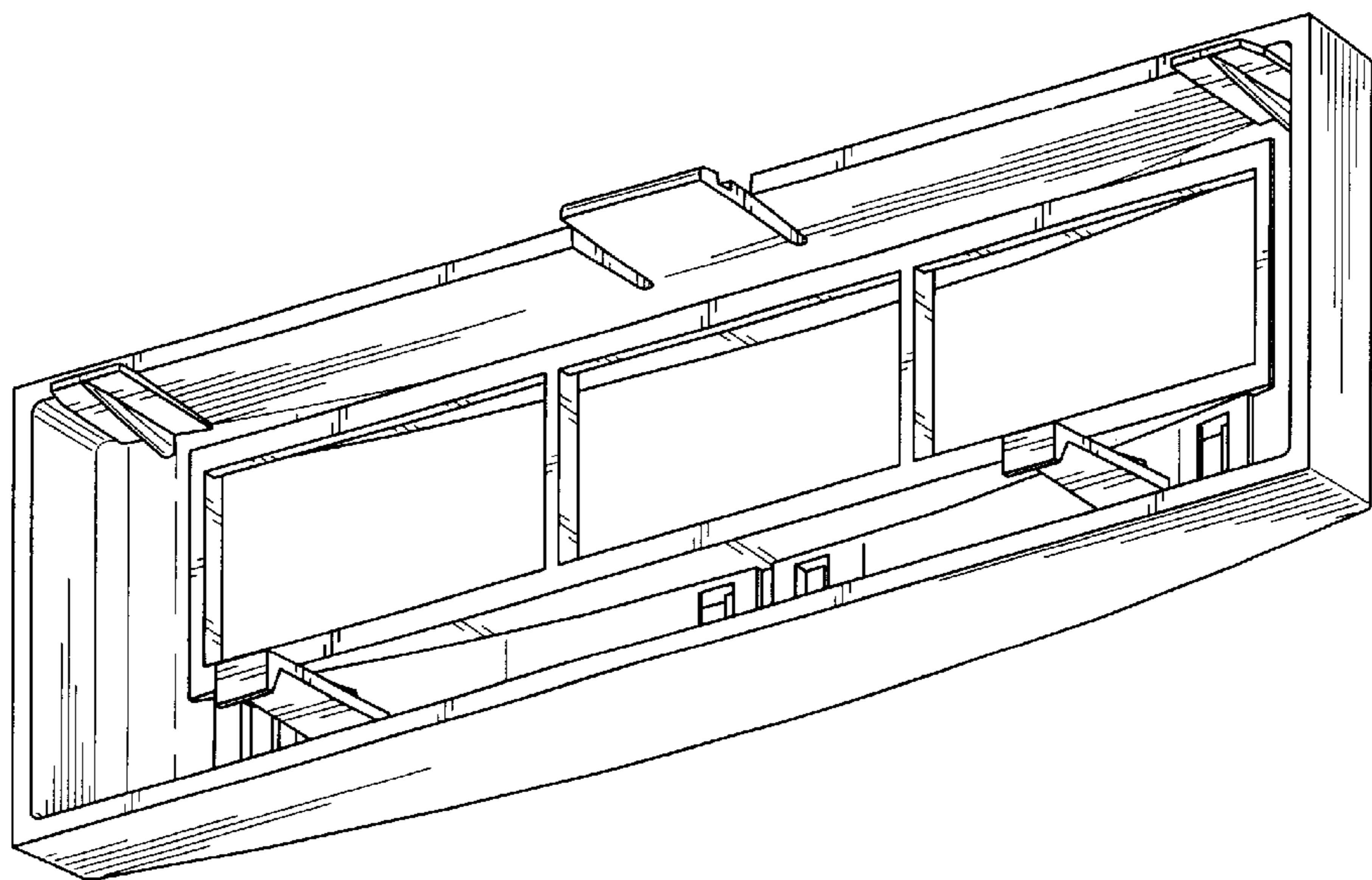


FIG. 16



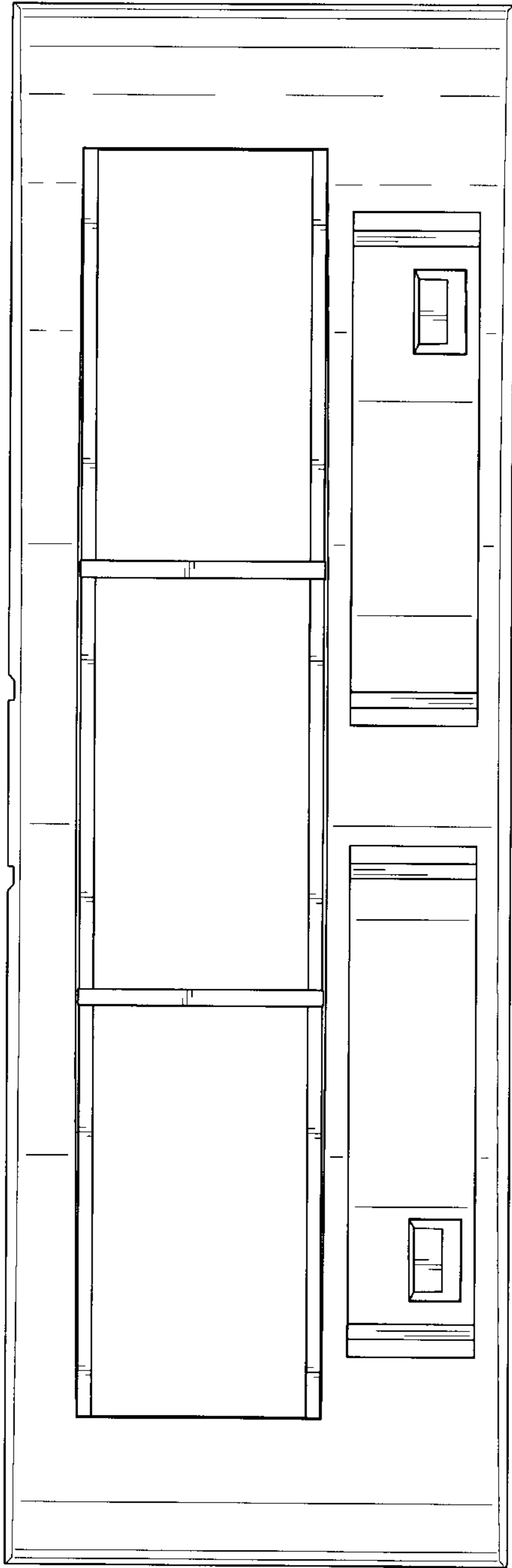


FIG. 17

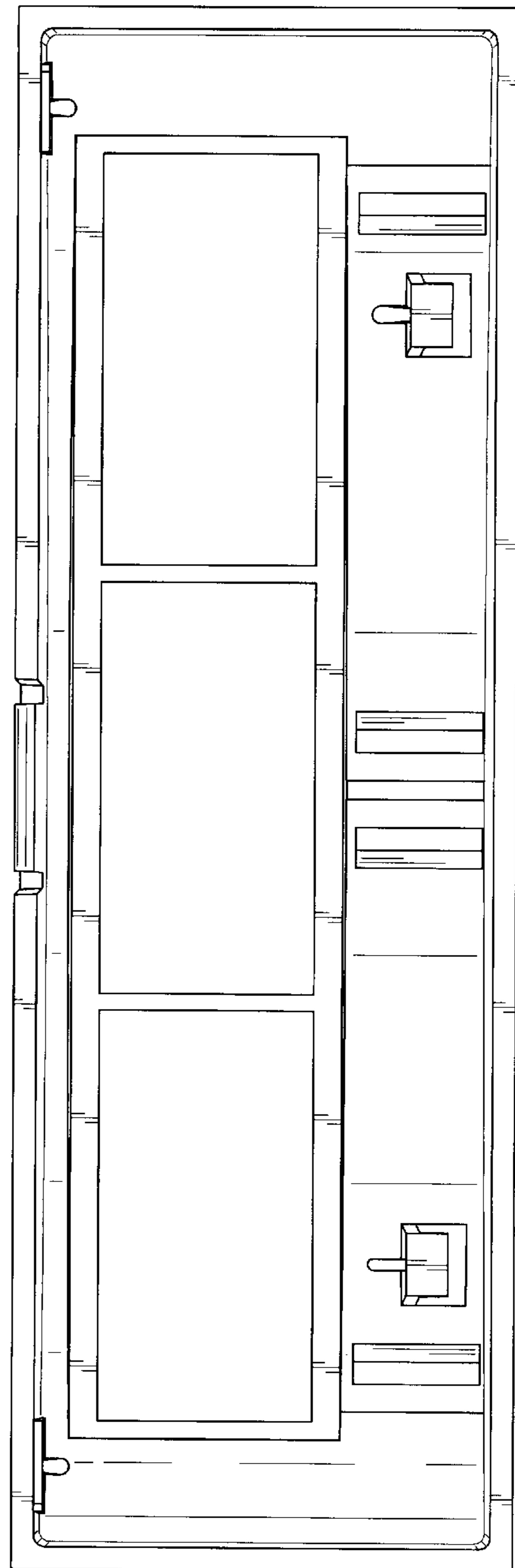


FIG. 18

FIG. 19

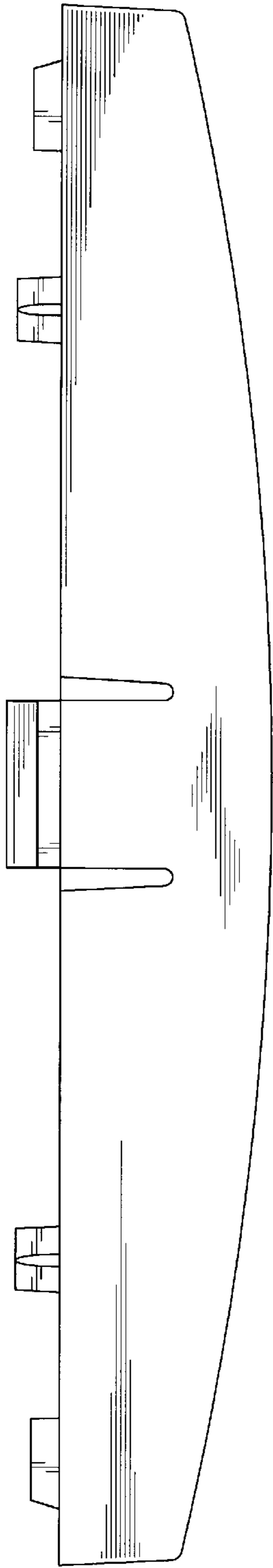


FIG. 20

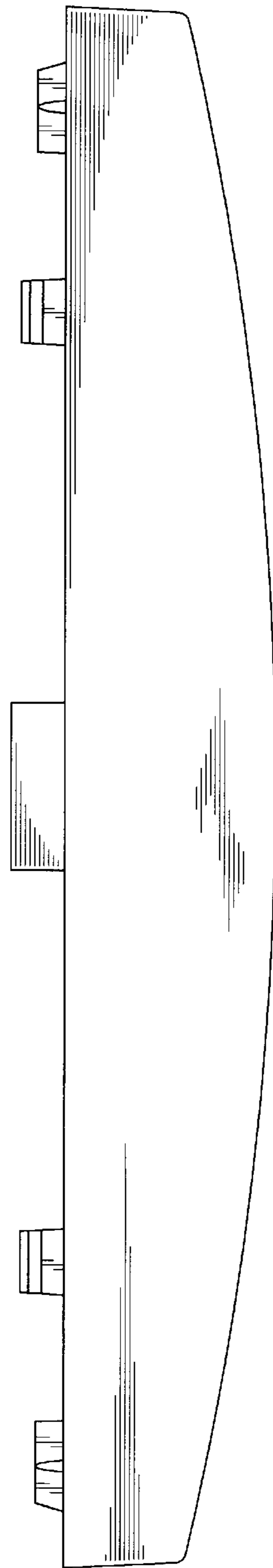


FIG. 21

