



US00D450556B1

(12) **United States Design Patent**
Biller et al.

(10) **Patent No.: US D450,556 S**

(45) **Date of Patent: ** Nov. 20, 2001**

(54) **CHIPPER KNIFE**

(75) Inventors: **Sven-Olov Biller; Olov Granström,**
both of Hudiksvall; **Mats Engnell,**
Iggesund, all of (SE)

(73) Assignee: **Iggesund Tools AB,** Iggesund (SE)

(**) Term: **14 Years**

(21) Appl. No.: **29/135,786**

(22) Filed: **Jan. 17, 2001**

(30) **Foreign Application Priority Data**

Jul. 17, 2000 (SE) 00-1287

(51) **LOC (7) Cl. 08-00**

(52) **U.S. Cl. D8/98; D15/139; D25/123;**
D32/41

(58) **Field of Search D8/14, 70, 98;**
D15/138, 139; D25/123; D32/41; 144/218,
176; 30/169

(56) **References Cited**

U.S. PATENT DOCUMENTS

D. 29,185 * 8/1898 Dobbie D15/139

D. 258,659 * 3/1981 Nystrom et al. D15/139
D. 370,611 * 6/1996 Frick et al. D8/98
4,545,413 10/1985 Sundberg et al. 144/176
4,694,995 9/1987 Holmberg et al. 241/92
4,969,605 11/1990 Morin 241/192
5,133,394 7/1992 Landtwing 144/230
5,348,065 9/1994 Meyer 144/231

FOREIGN PATENT DOCUMENTS

WO96/00639 1/1996 (WO) .

* cited by examiner

Primary Examiner—Antoine Duval Davis

(74) *Attorney, Agent, or Firm*—Fitzpatrick, Cella, Harper &
Scinto

(57) **CLAIM**

The ornamental design for a chipper knife, as shown and
described.

DESCRIPTION

FIG. 1 is a top perspective view of the chipper knife of the
present invention;

FIG. 2 is an end view of the chipper knife; and,

FIG. 3 is a bottom perspective view of the chipper knife.

1 Claim, 1 Drawing Sheet

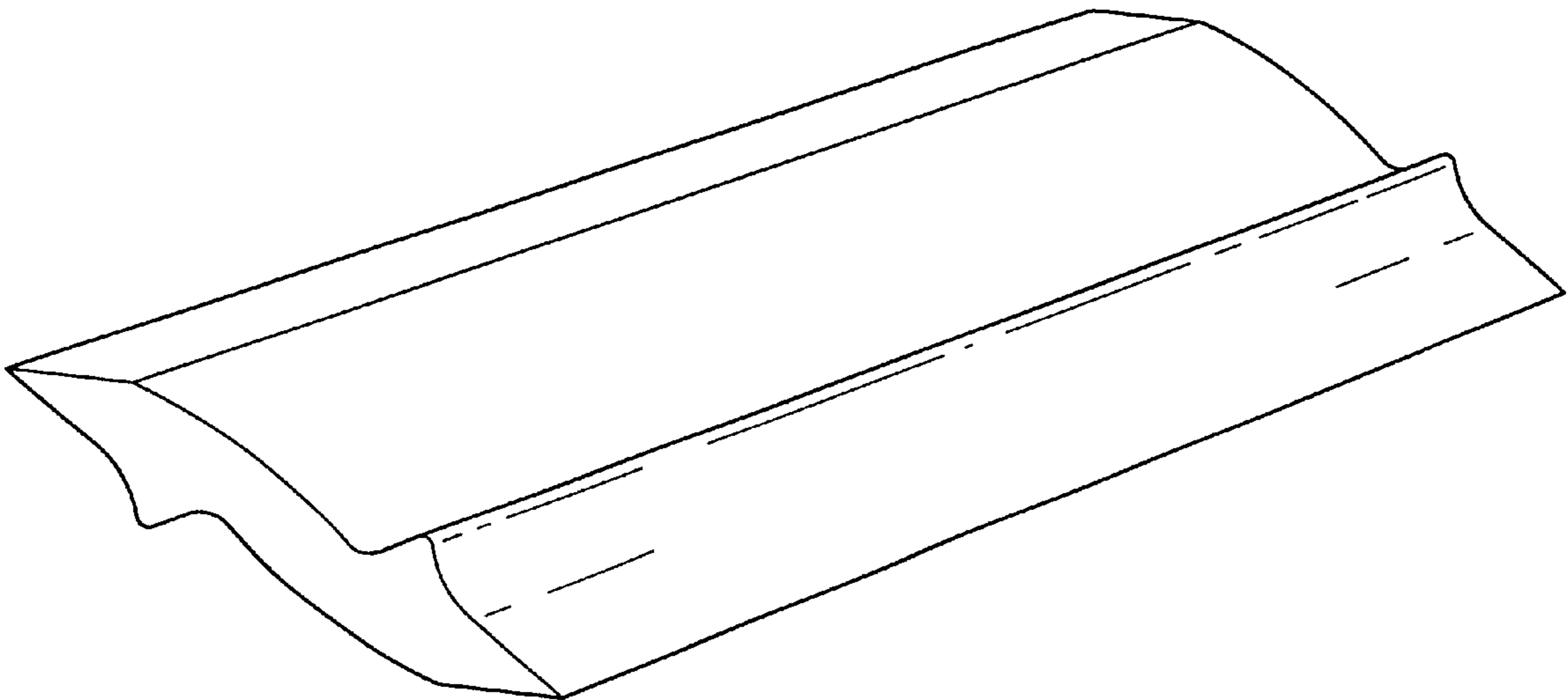


FIG 1

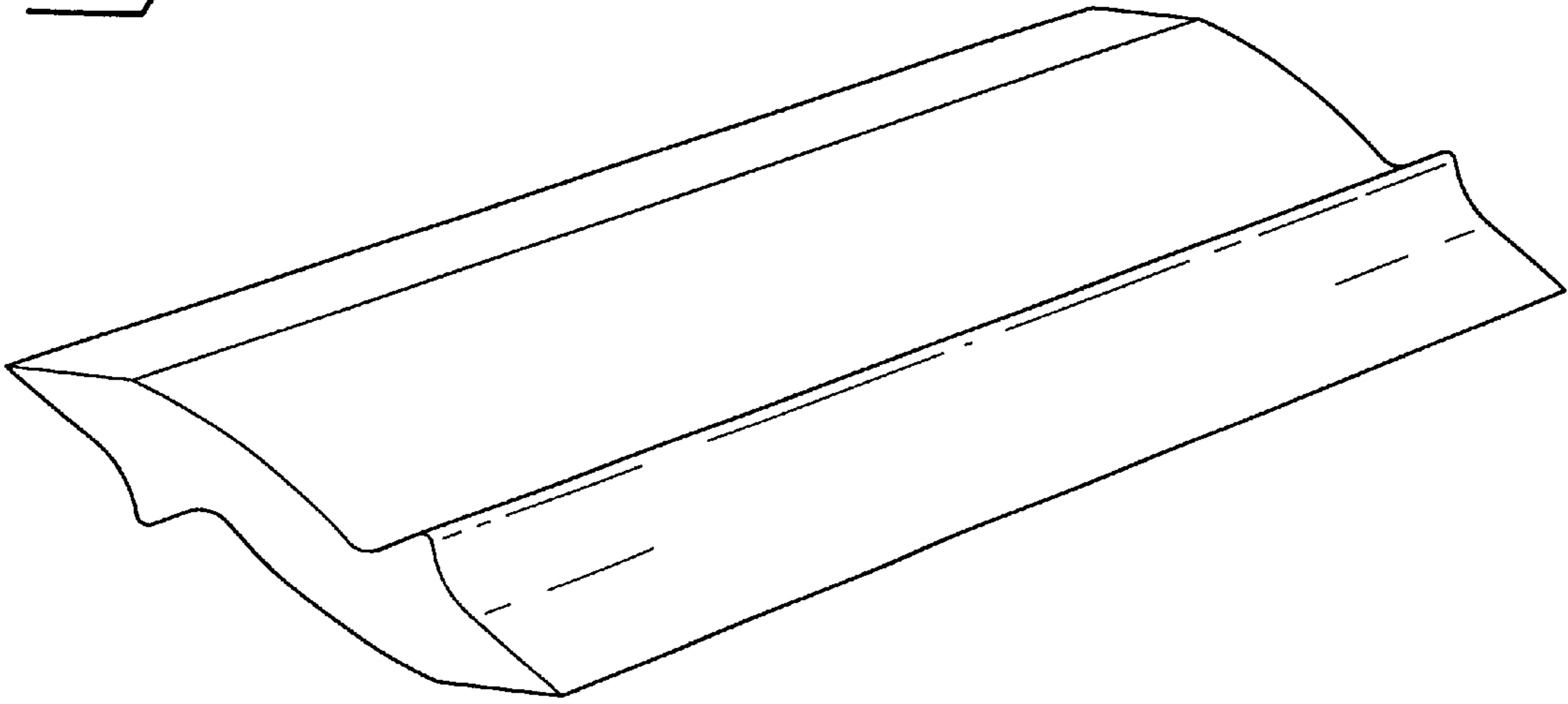


FIG 2



FIG 3

