



US00D450543B1

(12) **United States Design Patent**
Hannum et al.

(10) **Patent No.:** **US D450,543 S**

(45) **Date of Patent:** **** Nov. 20, 2001**

(54) **NAPKIN HOLDER**

(75) Inventors: **Pamela S. Hannum**, Lake Villa, IL (US); **Charles E. Buchanan**, Durham, NC (US); **John Szeto**, Chicago; **William J. Calderwood**, Genoa, both of IL (US)

(73) Assignee: **World Kitchen, Inc.**, Elmira, NY (US)

(**) Term: **14 Years**

(21) Appl. No.: **29/133,543**

(22) Filed: **Dec. 1, 2000**

(51) **LOC (7) Cl.** **07-06**

(52) **U.S. Cl.** **D7/631**

(58) **Field of Search** D7/631-634; D6/462, D6/566, 567; D19/75, 78, 86, 90, 91; 211/41.1, 41.2, 49.1, 45, 50, 181.1

(56) **References Cited**

U.S. PATENT DOCUMENTS

- D. 167,810 6/1952 Roop .
- D. 278,773 * 5/1985 Licari et al. D7/631 X

- D. 314,098 1/1991 Kee D6/462
- D. 316,193 4/1991 Kee D6/413
- D. 322,002 * 12/1991 Emery D6/566
- D. 405,322 2/1999 Goodman et al. D7/631
- 3,063,567 * 11/1962 Campbell D6/462 X
- 4,117,936 * 10/1978 Dawson 211/50

* cited by examiner

Primary Examiner—Terry A. Wallace

(74) *Attorney, Agent, or Firm*—Wolf, Greenfield & Sacks, P.C.

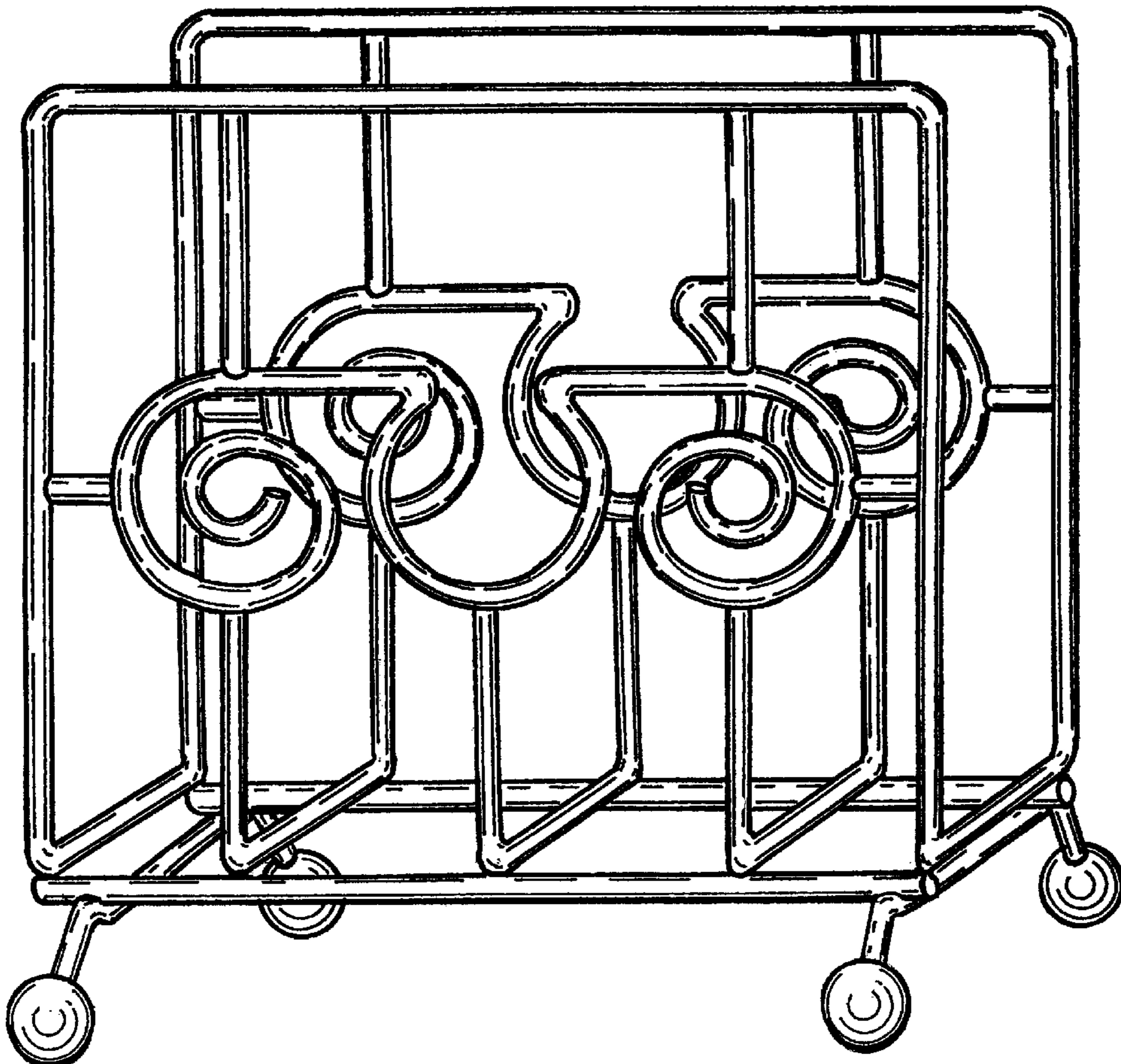
(57) **CLAIM**

The ornamental design for a napkin holder, as shown and described.

DESCRIPTION

FIG. 1 is a side, top perspective view of the napkin holder; FIG. 2 is a front view thereof; FIG. 3 is a rear view thereof; FIG. 4 is a left side view thereof; FIG. 5 is a right side view thereof; FIG. 6 is a top view thereof; and, FIG. 7 is a bottom view thereof.

1 Claim, 5 Drawing Sheets



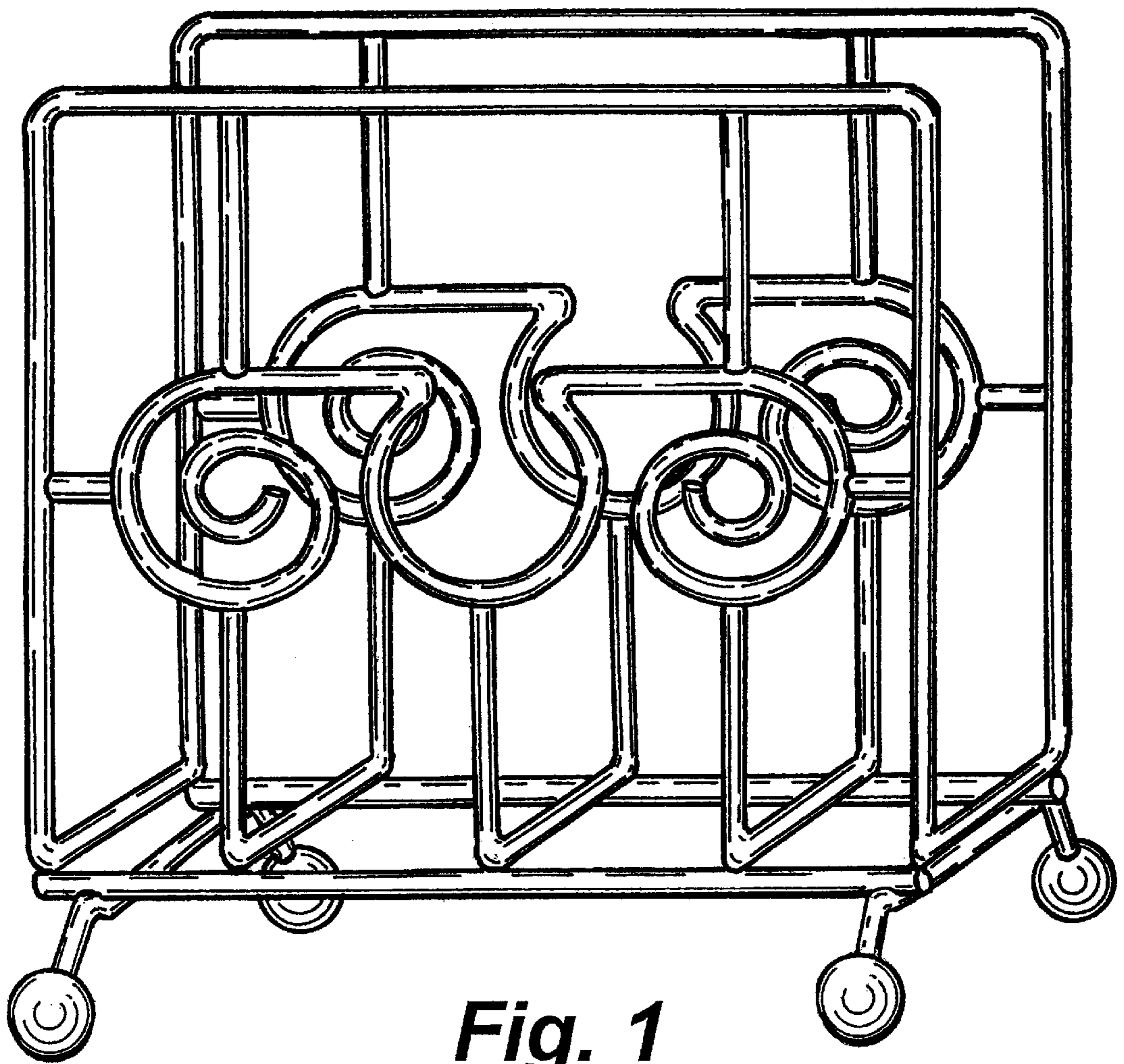


Fig. 1

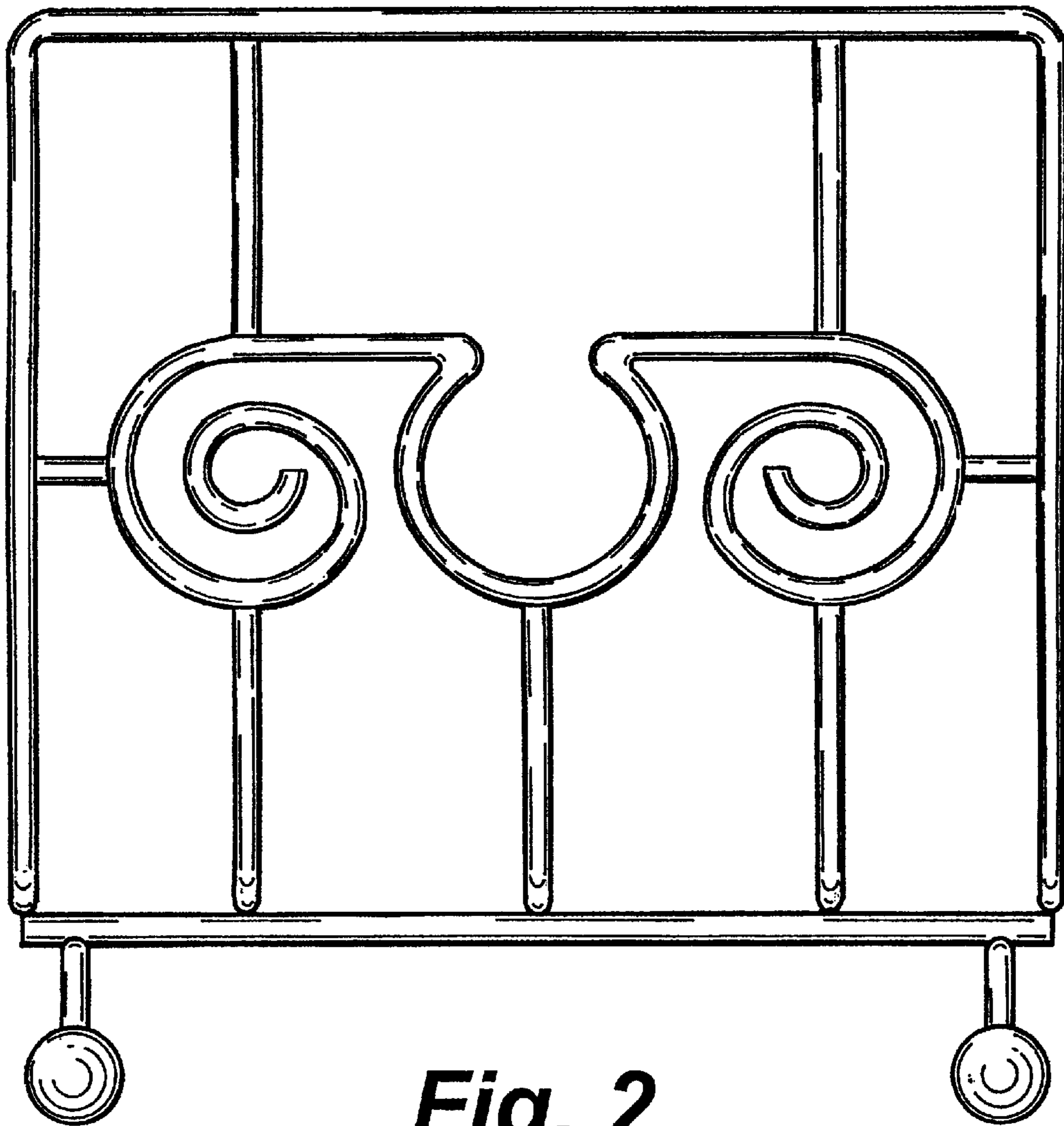


Fig. 2

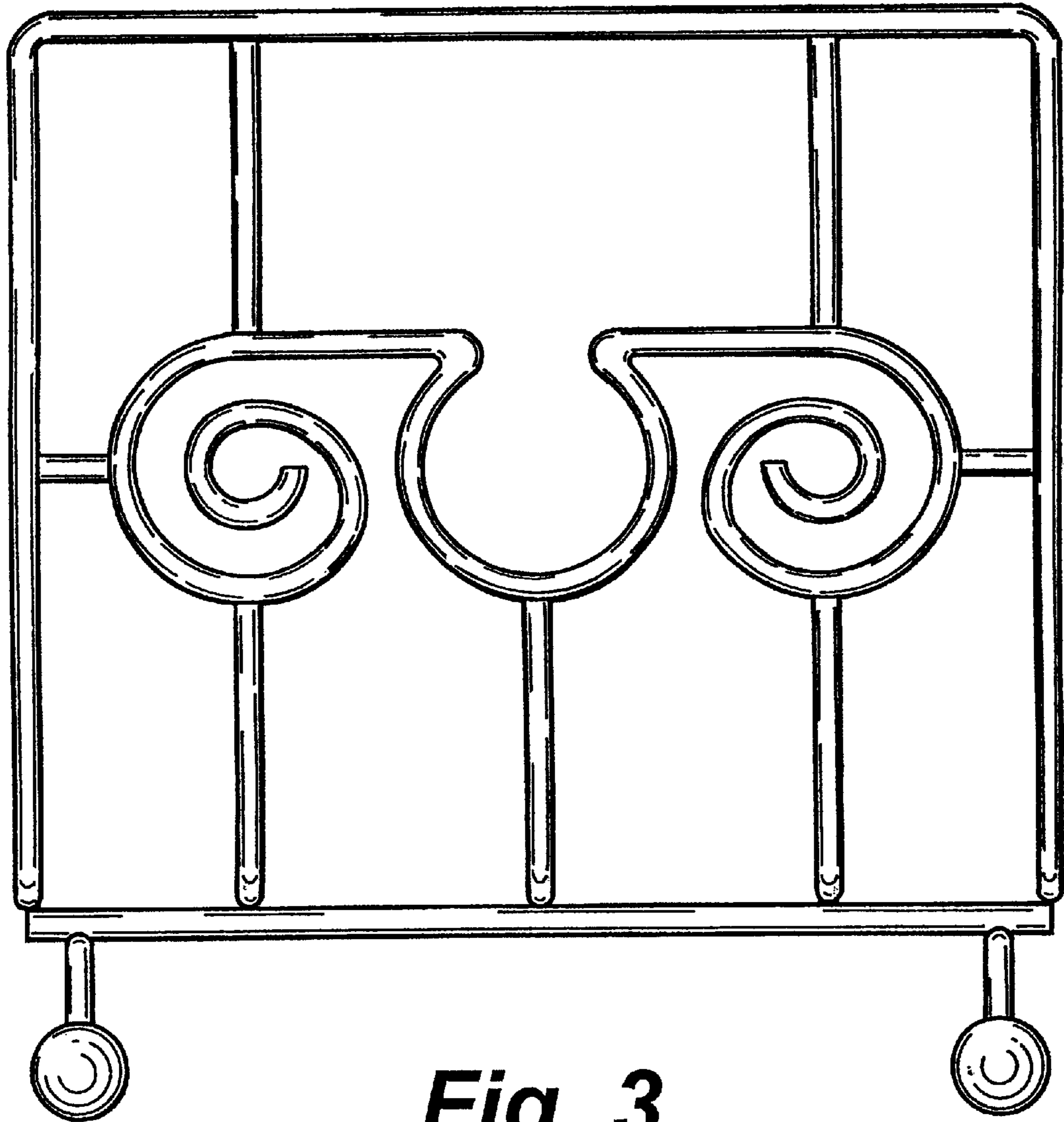


Fig. 3

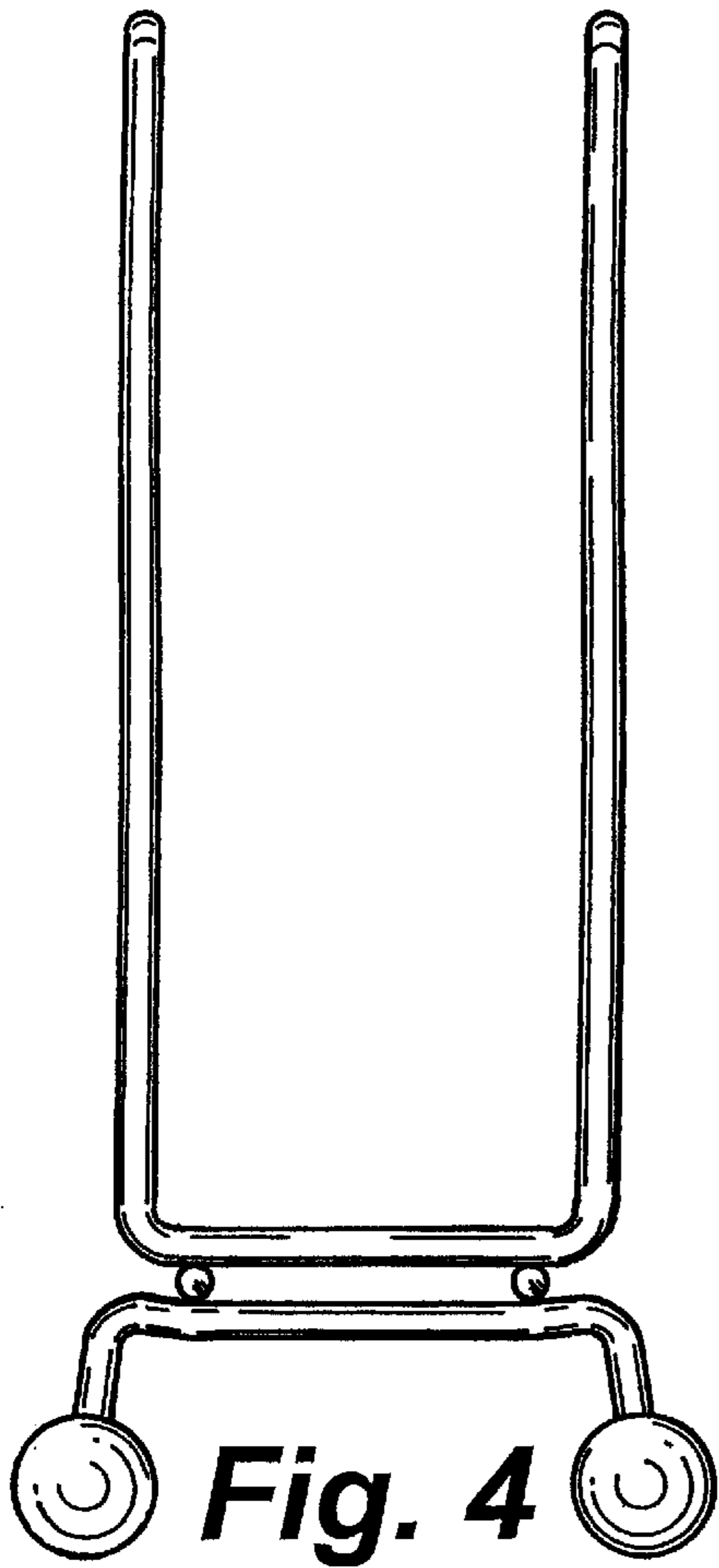


Fig. 4

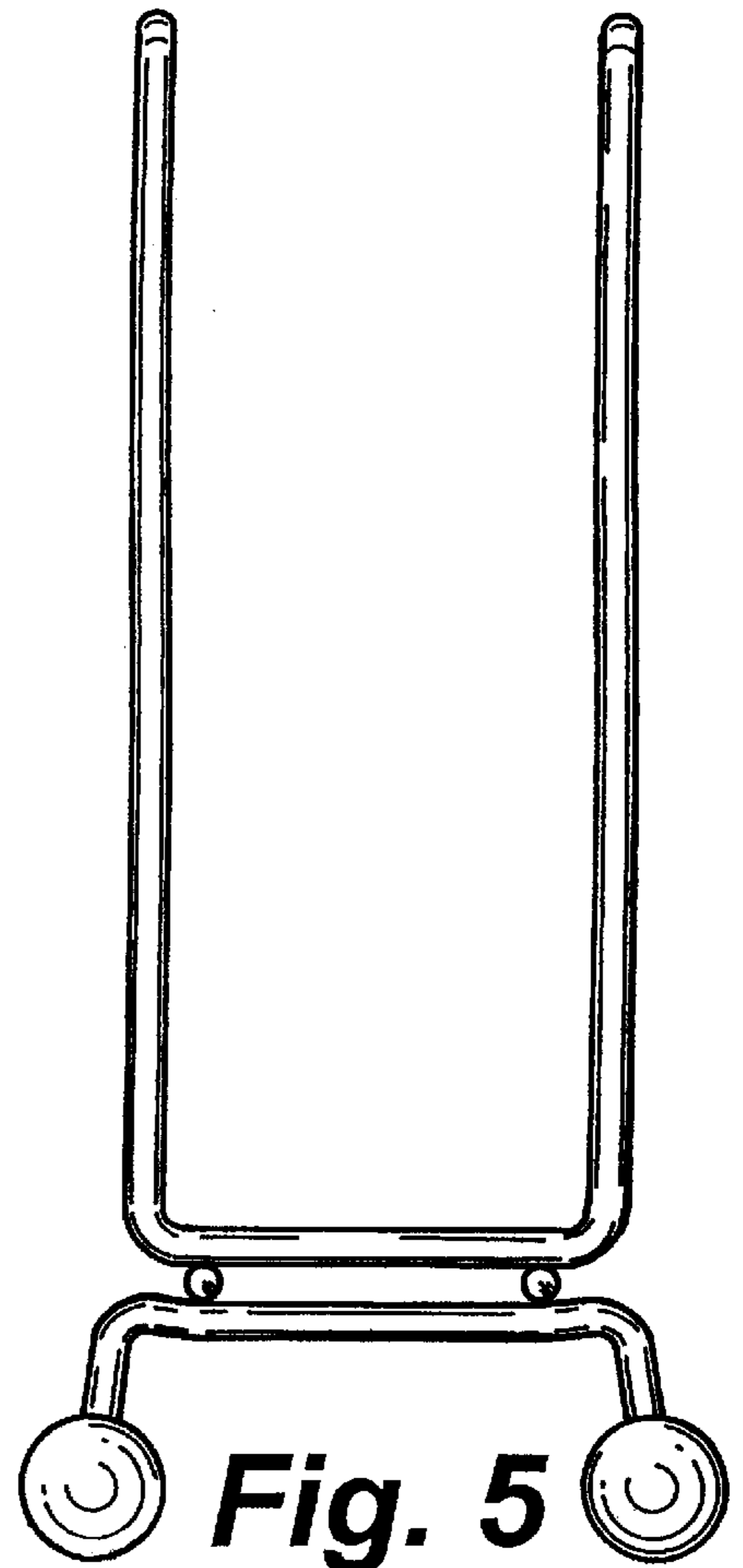


Fig. 5

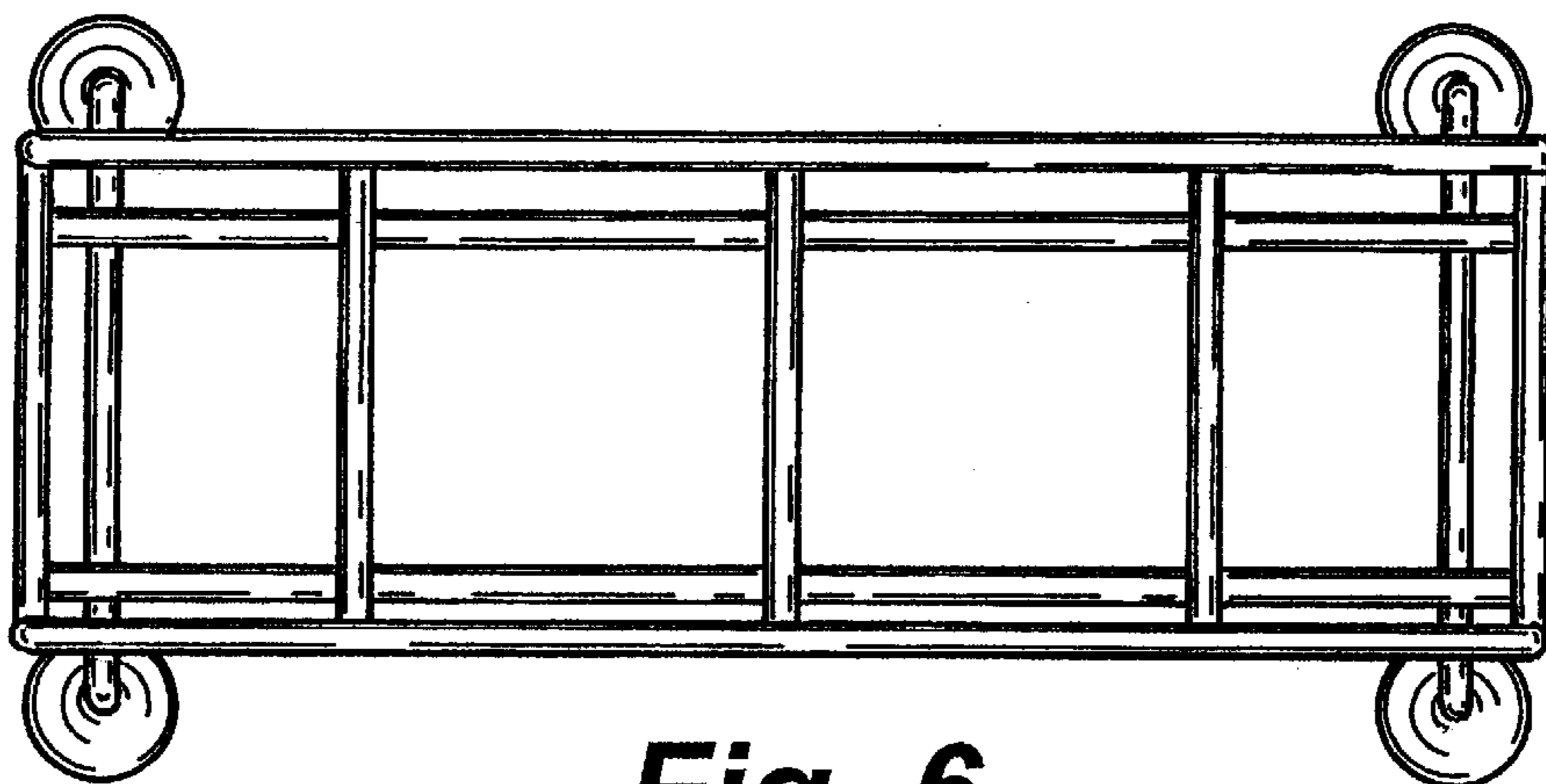


Fig. 6

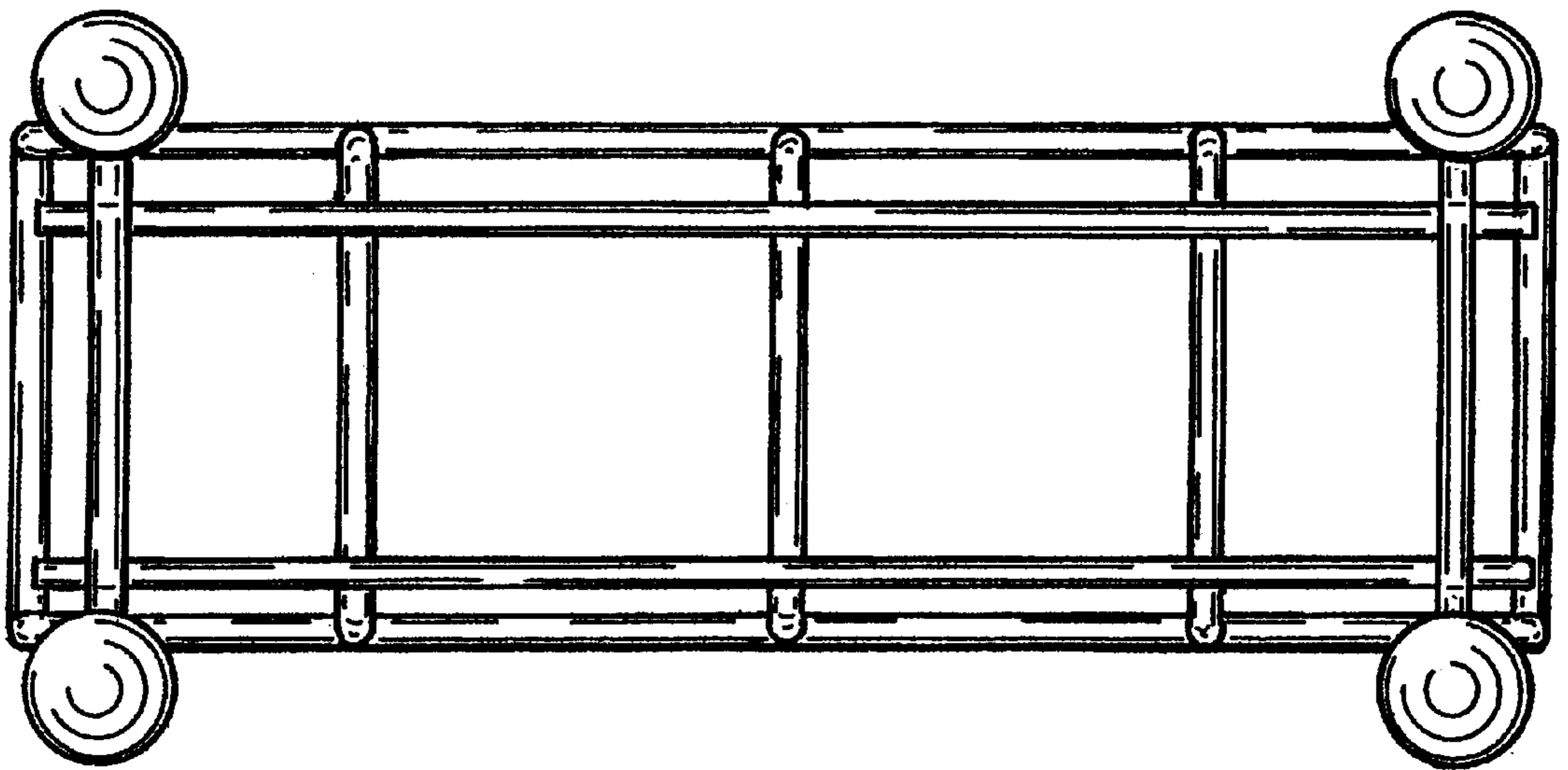


Fig. 7