



US00D450540B1

(12) **United States Design Patent**
Romero

(10) **Patent No.:** **US D450,540 S**

(45) **Date of Patent:** **** Nov. 20, 2001**

(54) **POT AND PAN LID HOLDER**

4,911,310 * 3/1990 Raishe et al. 211/41.2

(76) **Inventor:** **Luis Romero**, P.O. Box 432697, San Ysidro, CA (US) 92143

* cited by examiner

(**) **Term:** **14 Years**

Primary Examiner—Terry A. Wallace

(74) *Attorney, Agent, or Firm*—Goldstein Law Offices, P.C.

(21) **Appl. No.:** **29/133,956**

(57) **CLAIM**

(22) **Filed:** **Dec. 13, 2000**

The ornamental design for a pot and pan lid holder, as shown and described.

(51) **LOC (7) Cl.** **07-07**

DESCRIPTION

(52) **U.S. Cl.** **D7/601**

(58) **Field of Search** D7/601, 637-641;
D6/466, 475, 573; 211/41.2, 41.11, 71.01;
248/309.1, 311.2; D19/34.1, 34.2

FIG. 1 is a perspective view of a pot and pan lid holder.

FIG. 2 is a front elevational view thereof.

FIG. 3 is a rear elevational view thereof.

FIG. 4 is a left side elevational view thereof.

FIG. 5 is a right side elevational view thereof.

FIG. 6 is a top plan view of the pot and pan lid holder; and,

FIG. 7 is a bottom plan view thereof.

(56) **References Cited**

U.S. PATENT DOCUMENTS

- D. 207,453 * 4/1967 Hoffman D6/573
- D. 379,903 * 6/1997 Durham D7/601
- D. 408,229 * 4/1999 Hong D7/638

1 Claim, 4 Drawing Sheets

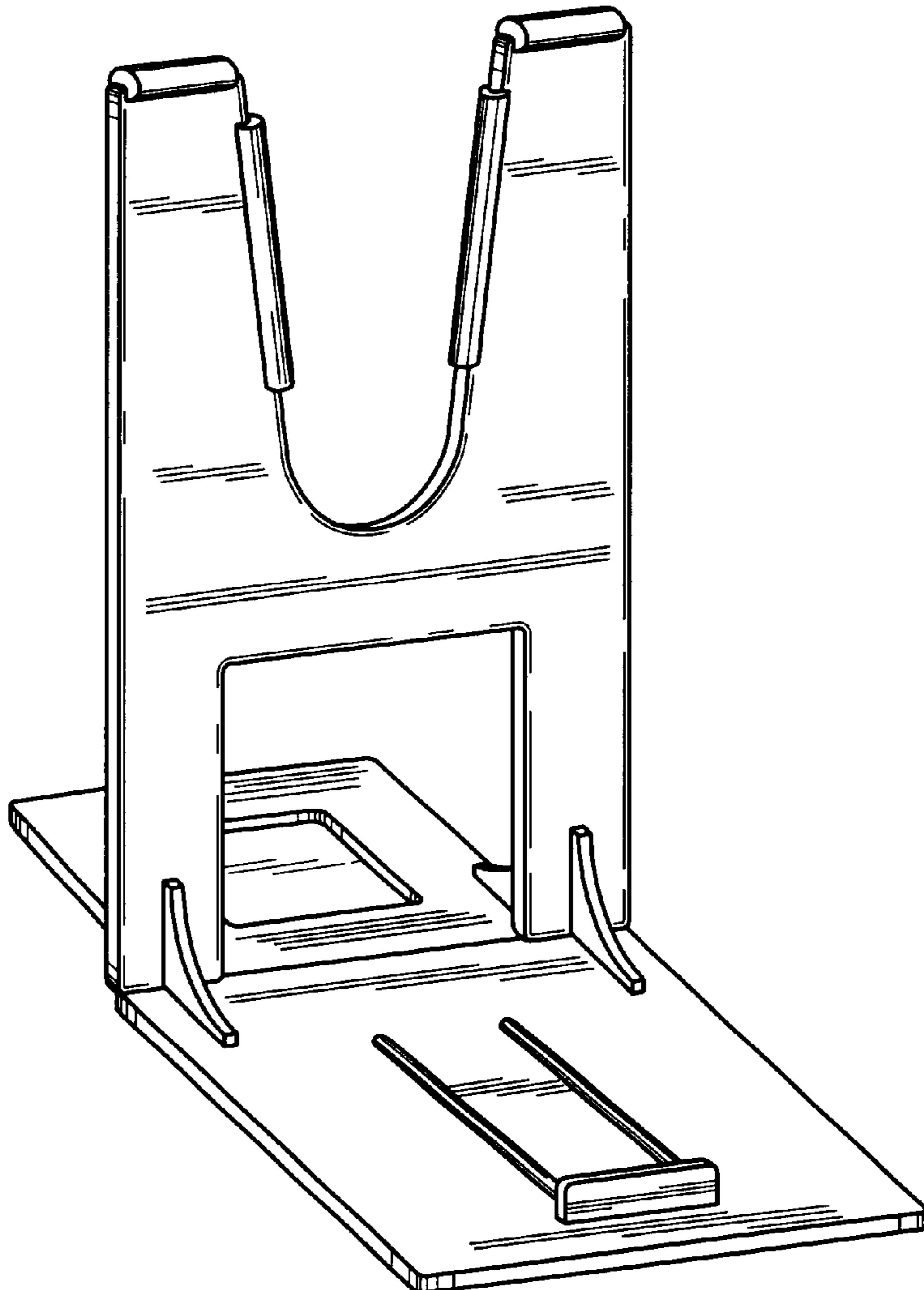
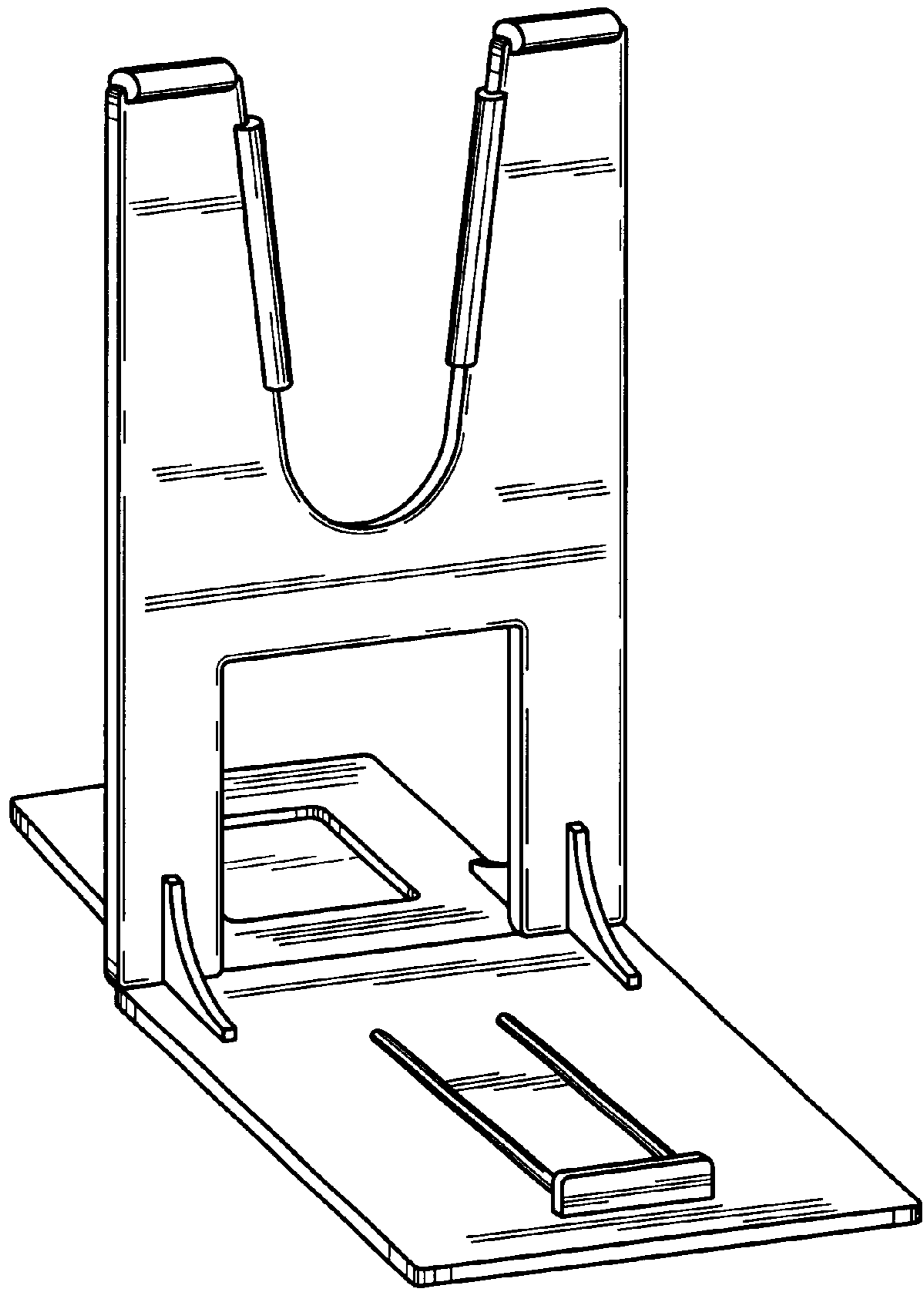


Fig. 1



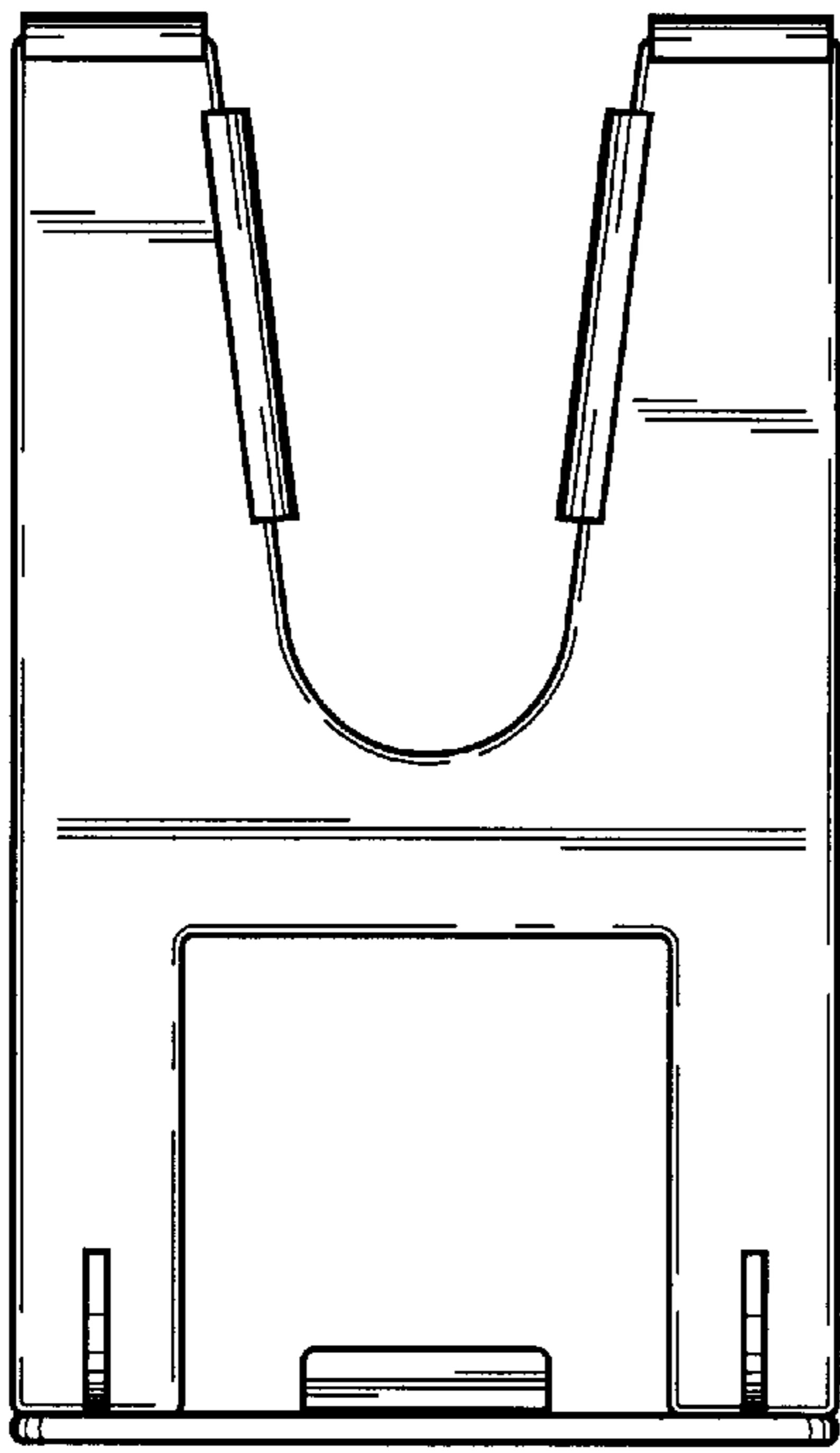


Fig. 2

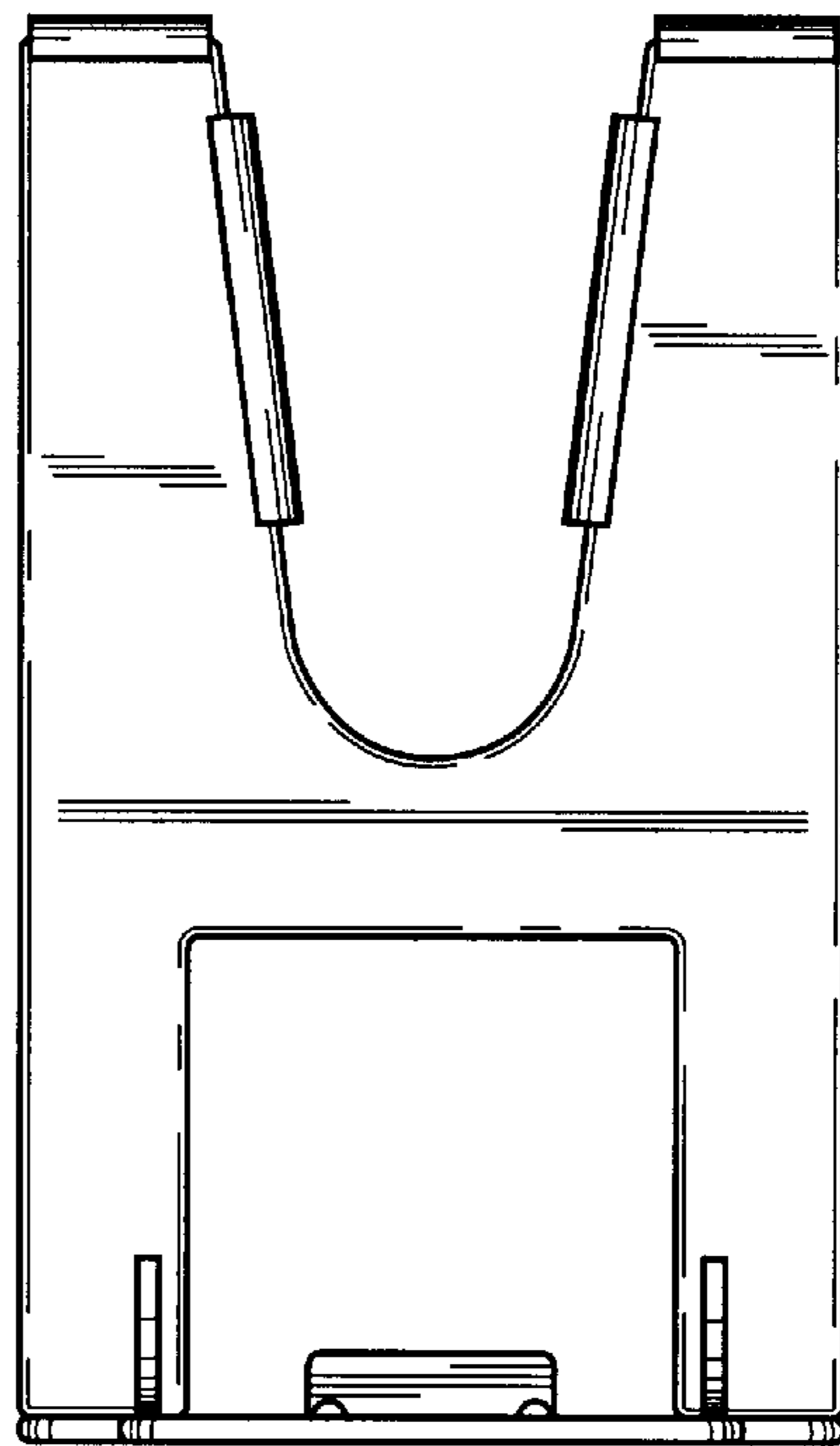


Fig. 3

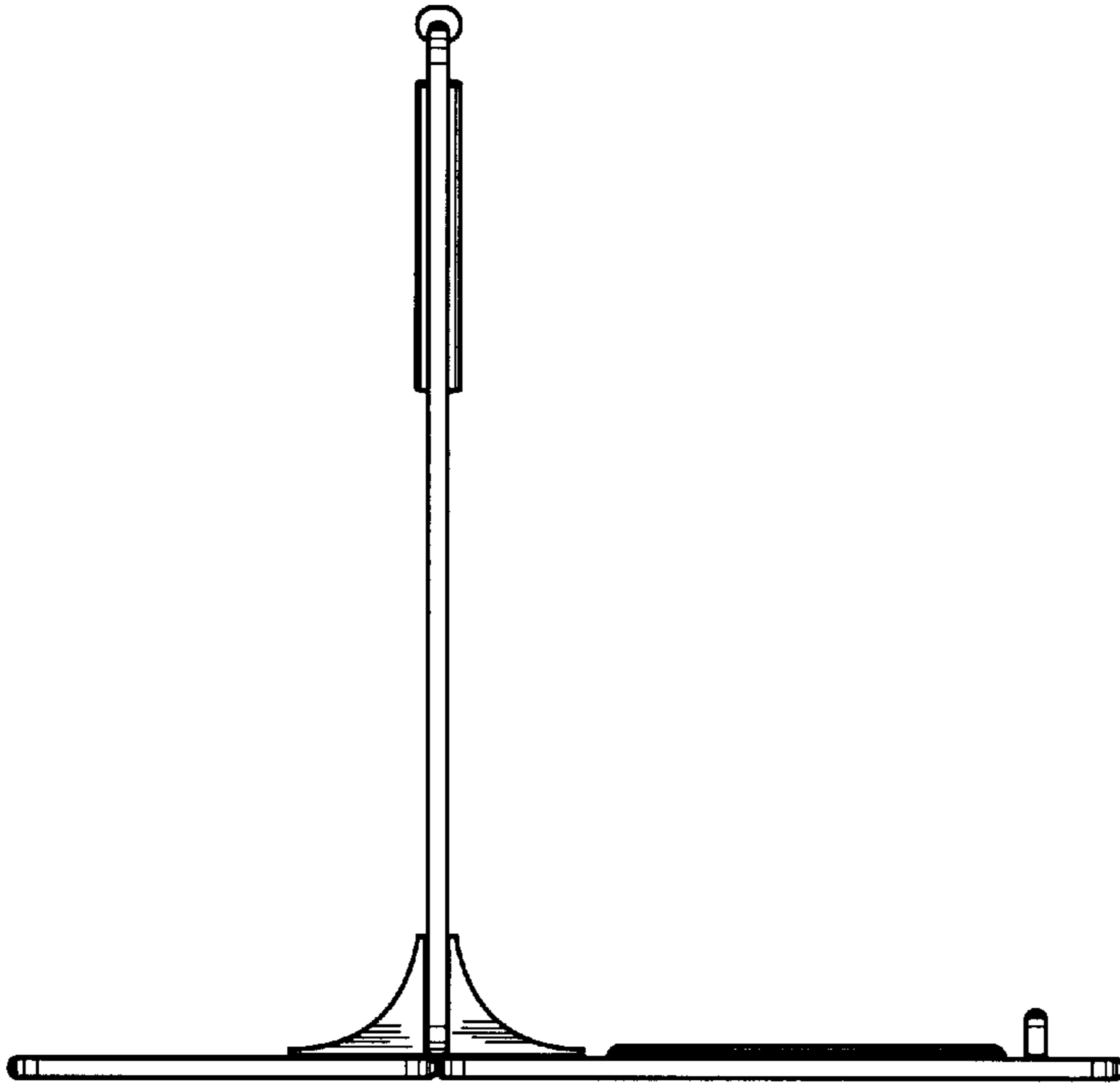


Fig. 4

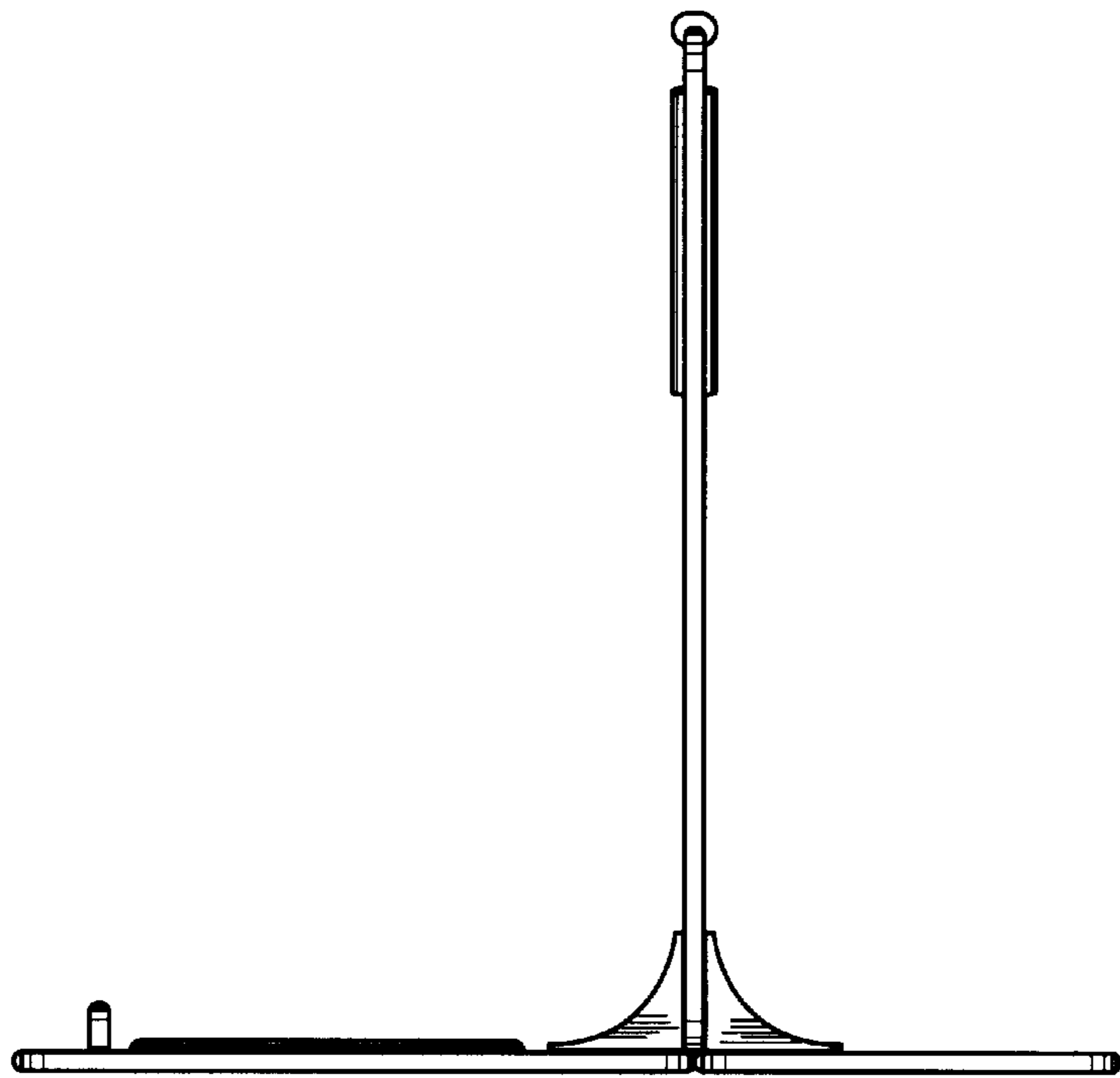


Fig. 5

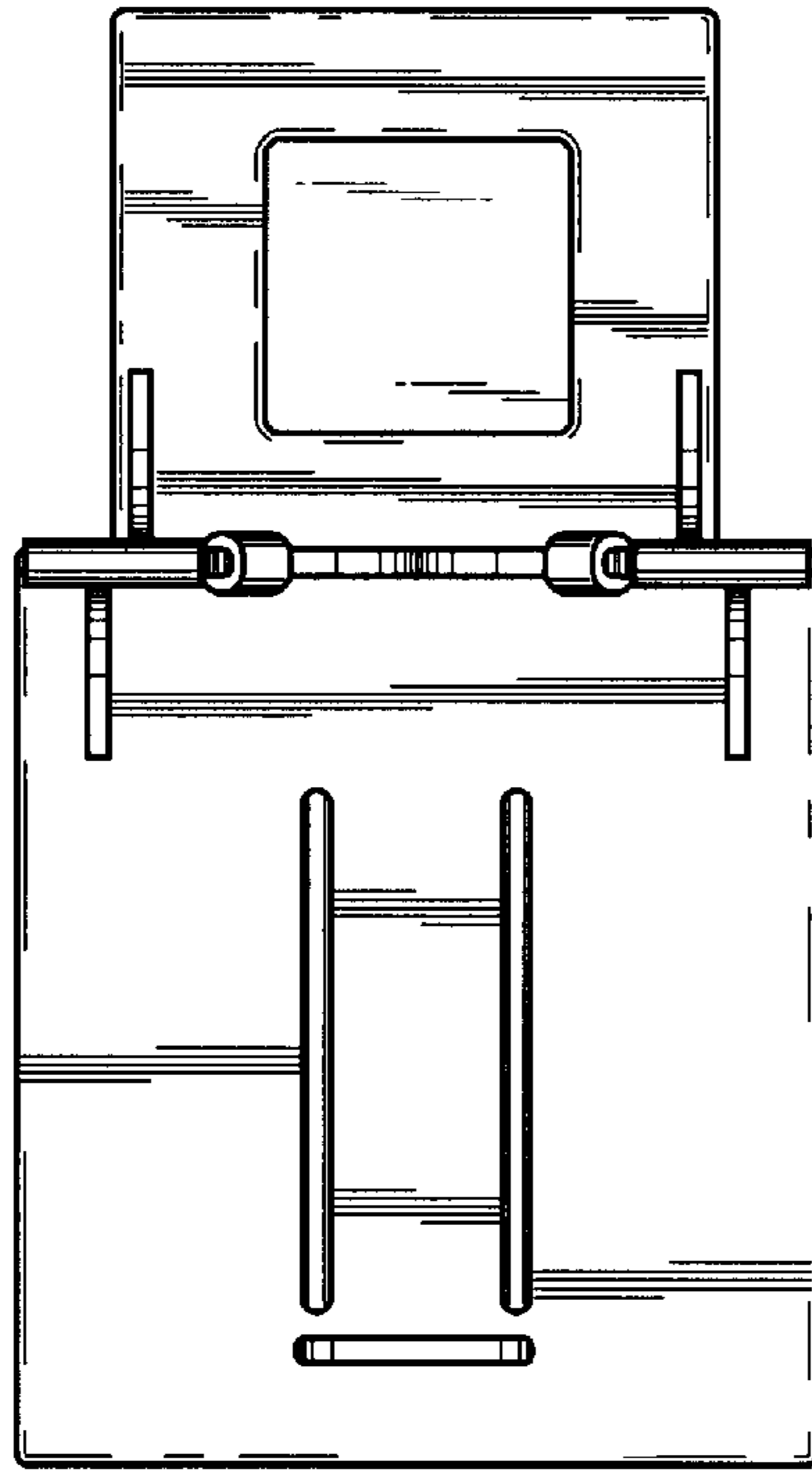


Fig. 6

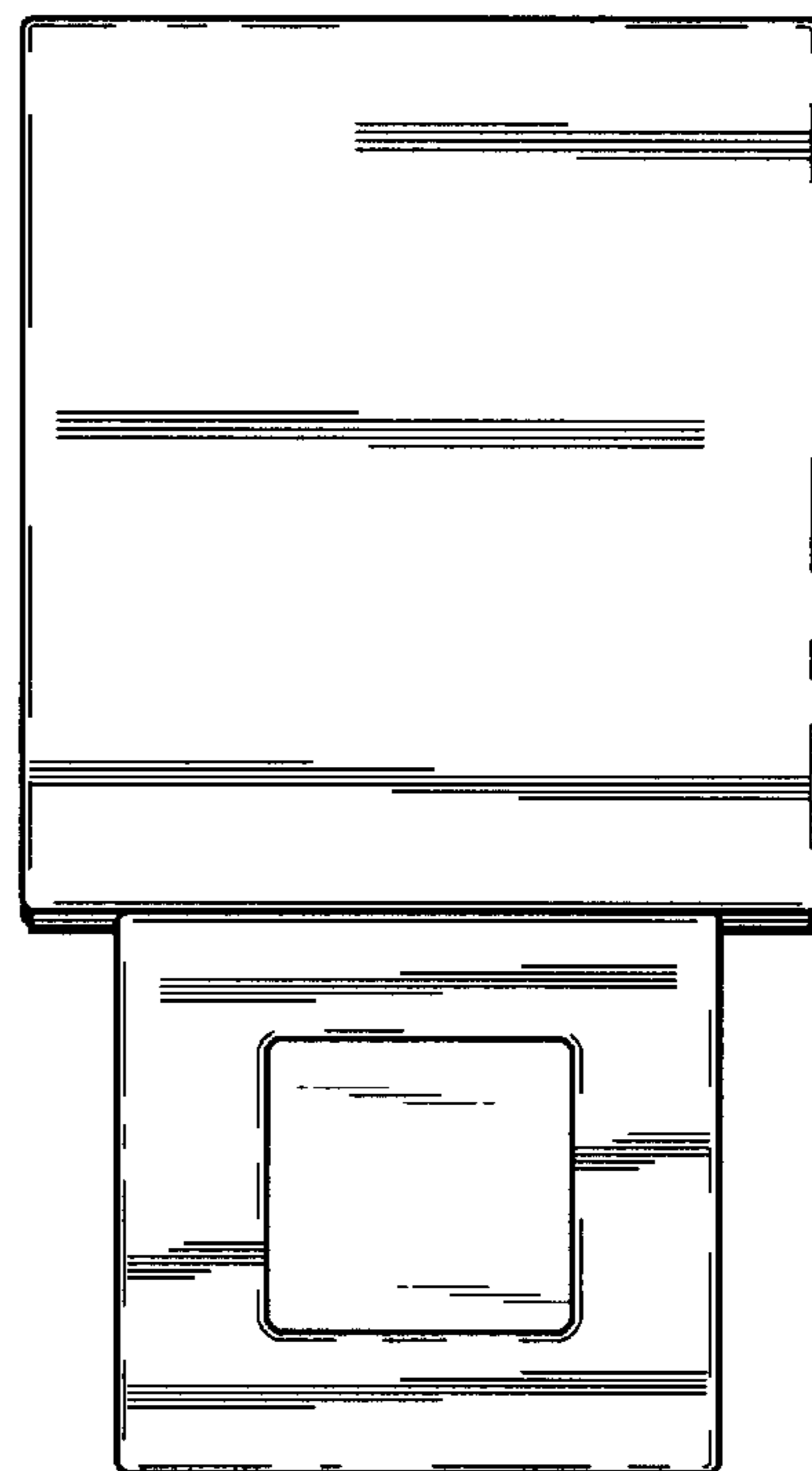


Fig. 7