



US00D450535B1

(12) **United States Design Patent** (10) **Patent No.:** **US D450,535 S**
McDonough et al. (45) **Date of Patent:** **** Nov. 20, 2001**

(54) **TRAINER CUP**

(76) Inventors: **Justin E. McDonough**, 12 Ballentine St., Kenvil, NJ (US) 07847; **Steve Aridgides**, 327 Michael Rd., Yardley, PA (US) 19067

(**) Term: **14 Years**

(21) Appl. No.: **29/141,855**

(22) Filed: **May 14, 2001**

Related U.S. Application Data

(62) Division of application No. 29/116,372, filed on Dec. 30, 1999.

(51) **LOC (7) Cl.** **07-01**

(52) **U.S. Cl.** **D7/510; D7/511; D7/532**

(58) **Field of Search** D7/509, 900, 510, D7/511, 532, 536, 516, 515, 514, 523, 608, 538, 606, 300.1, 507, 392, 392.1; 206/520; D24/197; 220/714, 254, 708; 215/11.1

(56) **References Cited**

U.S. PATENT DOCUMENTS

4,138	8/1845	Pratt .
Re. 30,805	11/1981	Rhoads .
D. 239,358	3/1976	Kjellquist .
D. 240,287	6/1976	Sepaneva et al. .
D. 247,840	5/1978	Dixson .

(List continued on next page.)

FOREIGN PATENT DOCUMENTS

88059	1/1984	(AU) .
4068785	10/1985	(AU) .
97711	8/1987	(AU) .
595296	9/1987	(AU) .
98916	12/1987	(AU) .

(List continued on next page.)

OTHER PUBLICATIONS

Excerpt from publication by Herrmann, Bernd, Institute of Anthropology, Gottingen University, May 1990.

Excerpt from *The Bounty BabyCare Guide*, SM Bounty Services Ltd, 1991.

Excerpt from *Baby Care Products 1992*, showing Púr products.

Press Release by Maws of Hertford, England, Apr. 1992.

Perfect Ideas from Tommee Tippee, *Chemist & Druggist*, Aug. 15, 1992, p. 264.

New Visions *Mealtimes 1998-1999 Catalog*, Faber, Virginia.

Púr Catalog, undated.

Primary Examiner—M. N. Pandozzi

(57) **CLAIM**

The ornamental design for trainer cup, as shown and described.

DESCRIPTION

FIG. 1 is a perspective view of a first embodiment of a trainer cup showing our new design;

FIG. 2 is a front elevational view of the first embodiment;

FIG. 3 is a rear elevational view of the first embodiment;

FIG. 4 is a right side elevational view of the first embodiment;

FIG. 5 is a left side elevational view of the first embodiment;

FIG. 6 is a top plan view of the first embodiment;

FIG. 7 is a bottom plan view of the first embodiment;

FIG. 8 is a perspective view of a second embodiment of a trainer cup, having a different cap from the first embodiment;

FIG. 9 is a front elevational view of the second embodiment;

FIG. 10 is a rear elevational view of the second embodiment;

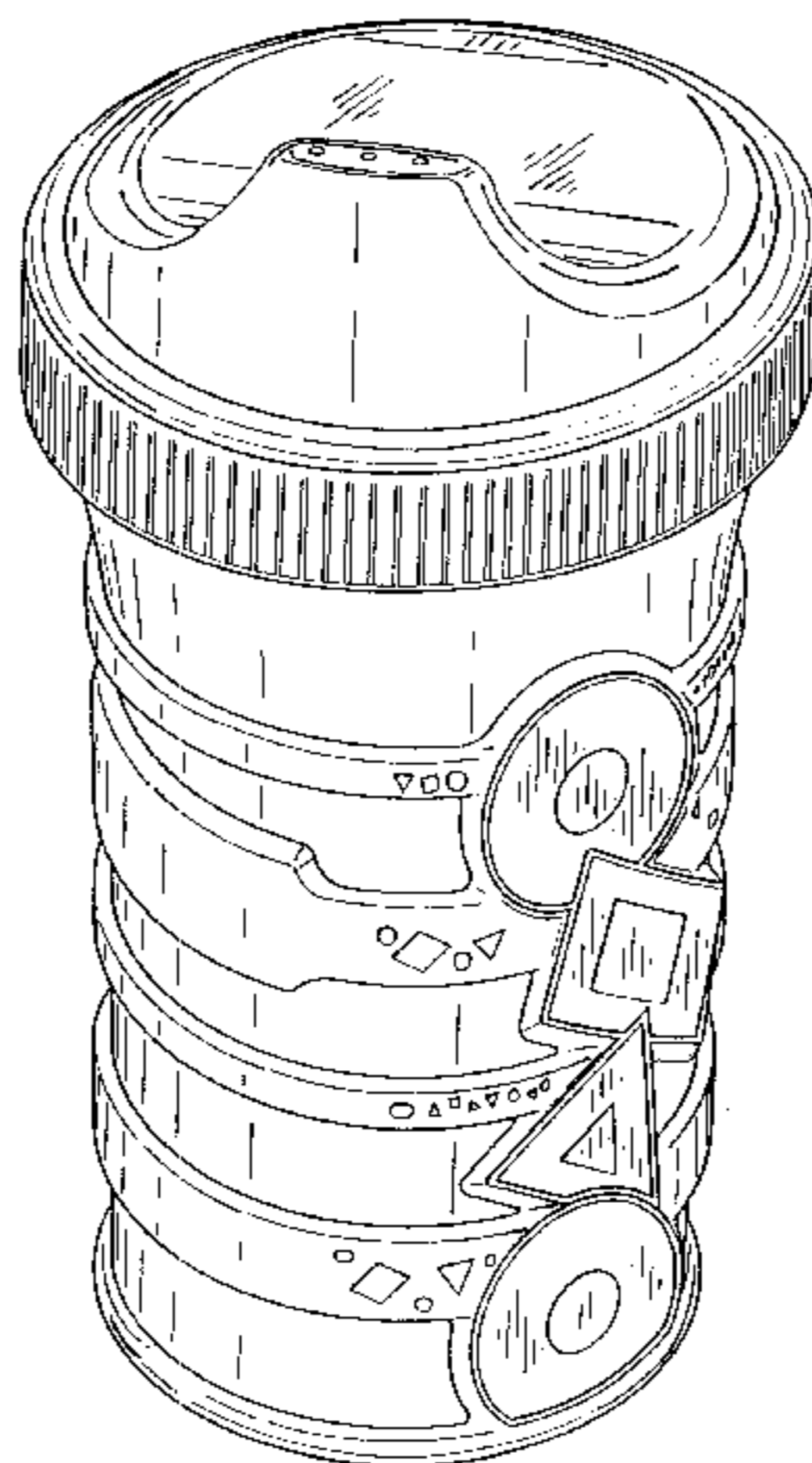
FIG. 11 is a right side elevational view of the second embodiment;

FIG. 12 is a left side elevational view of the second embodiment;

FIG. 13 is a top plan view of the second embodiment; and,

FIG. 14 is a bottom plan view of the second embodiment.

1 Claim, 12 Drawing Sheets



US D450,535 S

U.S. PATENT DOCUMENTS					
			4,728,006	3/1988	Drobish et al. .
			4,749,108	6/1988	Dornbusch et al. .
			4,768,674	9/1988	Prescott .
			4,782,975	11/1988	Coy .
D. 346,932	* 5/1994	Cautereels et al. D7/507	4,909,416	3/1990	Evezich .
D. 350,875	9/1994	VanValkenburg et al. .	4,946,062	8/1990	Coy .
D. 362,156	* 9/1995	Goto et al. D7/511	5,005,737	4/1991	Rohr .
D. 371,936	* 7/1996	Goto et al. D7/523	5,033,655	7/1991	Brown .
D. 374,147	* 10/1996	Lillelund et al. D7/300.1	5,035,340	7/1991	Timmons .
D. 387,619	12/1997	Gross et al. .	5,040,756	8/1991	Via Cava .
D. 395,202	* 6/1998	Ochs, Sr. D7/606	5,071,017	12/1991	Stull .
D. 398,813	9/1998	Franzese .	5,079,013	1/1992	Belanger .
D. 401,508	* 11/1998	Brown, III D9/538	5,096,082	3/1992	Hoefler .
D. 401,808	* 12/1998	Grivsky D7/536	5,117,999	6/1992	Canzano et al. .
D. 404,613	* 1/1999	Hatsumoto et al. D7/510	5,147,066	9/1992	Snider .
D. 407,269	* 3/1999	Fletcher D7/510	5,186,347	2/1993	Freeman et al. .
D. 408,220	* 4/1999	Chomik D7/510	5,213,236	5/1993	Brown et al. .
D. 408,689	* 4/1999	Kato D7/608	5,222,623	6/1993	Eger et al. .
D. 410,174	* 5/1999	Sheu D7/510	5,261,459	11/1993	Atkinson et al. .
D. 412,085	7/1999	Roush et al. .	5,339,995	8/1994	Brown et al. .
D. 413,067	8/1999	Haley .	5,363,983	11/1994	Proshan .
D. 414,655	* 10/1999	Schwarz D7/514	5,370,258	12/1994	Fair .
D. 415,429	10/1999	Rausch .	5,377,877	1/1995	Brown et al. .
D. 415,654	10/1999	Forrer .	5,402,836	4/1995	Hasper et al. .
D. 416,757	* 11/1999	Ginuntoli D7/523	5,409,144	4/1995	Brown .
D. 417,590	* 12/1999	Kato D7/510	5,439,143	8/1995	Brown et al. .
D. 417,591	* 12/1999	Roehrig D7/510	5,531,363	7/1996	Gross et al. .
D. 417,821	* 12/1999	J. Cautereels D7/532	5,542,670	8/1996	Morano .
D. 421,877	* 3/2000	La Torre et al. D7/510	5,626,262	5/1997	Fitten et al. .
D. 421,878	* 3/2000	Roehrig D7/510	5,632,420	5/1997	Lohrman et al. .
D. 422,179	* 4/2000	Stephenson D7/510	5,655,687	8/1997	Fitten et al. .
D. 427,017	* 6/2000	Reimer D7/516	5,676,289	10/1997	Gross et al. .
D. 428,306	* 7/2000	Lee D7/510	5,680,969	10/1997	Gross .
D. 431,159	9/2000	Otake .	5,706,973	1/1998	Robbins, III et al. .
D. 431,160	9/2000	Stadtler, II .	5,758,790	6/1998	Ewing, Jr. .
D. 434,273	11/2000	Johansen et al. .	5,833,115	11/1998	Eiten .
1,206,661	11/1916	Booth .	5,839,581	11/1998	Vagedes .
1,825,553	9/1931	Smith .	5,839,614	11/1998	Brown .
2,175,052	10/1939	Sull et al. .	5,839,626	11/1998	Gross et al. .
2,223,179	11/1940	Lougheed .	5,862,927	1/1999	Tebeau .
2,328,382	8/1943	Langdon .	5,871,118	2/1999	Franzese .
2,758,755	8/1956	Schafner .	5,890,619	4/1999	Belanger .
2,816,548	11/1957	Tupper .	5,890,620	4/1999	Belcastro .
3,139,064	6/1964	Harle .	5,890,621	4/1999	Bachman et al. .
3,360,169	12/1967	Susuki et al. .	5,893,472	4/1999	Forrer .
3,438,527	4/1969	Gamblin, Jr. .	5,894,952	4/1999	Mendenhall et al. .
3,504,699	4/1970	Grisé .	5,897,033	4/1999	Okawa et al. .
3,517,682	6/1970	Smith .	5,904,275	5/1999	Suffa .
3,635,380	1/1972	Fitzgerald .	5,924,605	7/1999	Baudin et al. .
3,650,271	3/1972	Pelli .	5,927,566	7/1999	Mueller .
3,674,183	7/1972	Venable et al. .	5,927,567	7/1999	Fillmore .
3,718,140	2/1973	Yamauchi .	5,934,512	8/1999	Lampe et al. .
3,773,233	11/1973	Souza .	5,934,514	8/1999	Lampe et al. .
3,825,157	7/1974	Herzig .	5,938,086	8/1999	Gross .
3,860,162	1/1975	Schutz .	5,944,234	8/1999	Lampe et al. .
3,905,512	9/1975	Albert et al. .	5,950,857	9/1999	Rosen .
3,915,331	10/1975	Chenault .	5,954,237	9/1999	Lampe et al. .
3,924,767	12/1975	Arrandale et al. .	5,971,232	10/1999	Rohr et al. .
4,002,168	1/1977	Petterson .	5,975,354	11/1999	Goncalves .
4,133,457	1/1979	Klassen .	5,988,425	11/1999	Yehl et al. .
4,184,604	1/1980	Amberg et al. .	6,050,445	4/2000	Manganiello .
4,186,842	2/1980	Albert .			
4,245,752	1/1981	Prueher .			
4,350,260	9/1982	Prueher .			
4,412,629	11/1983	Dart et al. .			
4,441,623	4/1984	Antoniak .			
4,450,977	5/1984	Colburn et al. .			
4,463,859	8/1984	Greene .			
4,524,805	6/1985	Hoffman .			
4,600,111	7/1986	Brown .			
4,616,768	10/1986	Flier .			
4,660,747	4/1987	Borg et al. .			
4,693,410	9/1987	Selz .			
4,723,668	2/1988	Cheng .			

FOREIGN PATENT DOCUMENTS				
		99599	2/1988	(AU) .
		647010	8/1990	(AU) .
		655291	12/1992	(AU) .
		118128	9/1993	(AU) .
		118493	10/1993	(AU) .
		118899	11/1993	(AU) .
		684061	1/1994	(AU) .
		7943694	5/1995	(AU) .

US D450,535 S

Page 3

715393	2/1997	(AU)	.	2266045B	10/1993	(GB)	.
6881196	3/1997	(AU)	.	2279130A	12/1994	(GB)	.
9113098	3/1999	(AU)	.	2285621A	7/1995	(GB)	.
1369599	5/1999	(AU)	.	2304545A	3/1997	(GB)	.
2291399	8/1999	(AU)	.	2304545B	3/1997	(GB)	.
2586099	8/1999	(AU)	.	2311061A	9/1997	(GB)	.
138675	10/1999	(AU)	.	2314497A	1/1998	(GB)	.
138676	10/1999	(AU)	.	2314497B	1/1998	(GB)	.
1296600	6/2000	(AU)	.	2317608A	4/1998	(GB)	.
141078	7/2000	(AU)	.	699693	2/1987	(JP)	.
141080	7/2000	(AU)	.	699694	2/1987	(JP)	.
2454500	9/2000	(AU)	.	6996931	3/1987	(JP)	.
3424600	9/2000	(AU)	.	738127	7/1988	(JP)	.
2128875	12/1972	(DE)	.	775839	11/1989	(JP)	.
2538007	3/1976	(DE)	.	880081	10/1993	(JP)	.
29714169	11/1997	(DE)	.	900603	6/1994	(JP)	.
0152494	8/1985	(EP)	.	946622	2/1996	(JP)	.
0160336	11/1985	(EP)	.	946624	2/1996	(JP)	.
0278125	8/1988	(EP)	.	967767	11/1996	(JP)	.
0326743	8/1989	(EP)	.	1025434	11/1998	(JP)	.
0382631	8/1990	(EP)	.	1056829	12/1999	(JP)	.
0384394	8/1990	(EP)	.	1056837	12/1999	(JP)	.
0442379	8/1991	(EP)	.	1083150	8/2000	(JP)	.
0495435	7/1992	(EP)	.	1107210	4/2001	(JP)	.
0495440	7/1992	(EP)	.	8401143	3/1984	(WO)	.
0545678	6/1993	(EP)	.	8504086	9/1985	(WO)	.
0555623	8/1993	(EP)	.	9319718	10/1993	(WO)	.
0591601	4/1994	(EP)	.	9400363	1/1994	(WO)	.
0634922	1/1995	(EP)	.	9404023	3/1994	(WO)	.
0723413	7/1996	(EP)	.	9405552	3/1994	(WO)	.
0838184	4/1998	(EP)	.	9510965	4/1995	(WO)	.
1364891	5/1964	(FR)	.	9513220	5/1995	(WO)	.
2624102	6/1989	(FR)	.	9521097	8/1995	(WO)	.
1253398	11/1971	(GB)	.	9521098	8/1995	(WO)	.
2015350	9/1979	(GB)	.	9708979	3/1997	(WO)	.
2029379A	3/1980	(GB)	.	9817157	4/1998	(WO)	.
2131301A	6/1984	(GB)	.	9818427	5/1998	(WO)	.
2169210A	7/1986	(GB)	.	9820832	5/1998	(WO)	.
2169210B	7/1986	(GB)	.	9908578	2/1999	(WO)	.
2183225A	6/1987	(GB)	.	9939617	8/1999	(WO)	.
2190073B	11/1987	(GB)	.				
2226014A	6/1990	(GB)	.				
2227159A	7/1990	(GB)	.				

* cited by examiner

FIG. 1

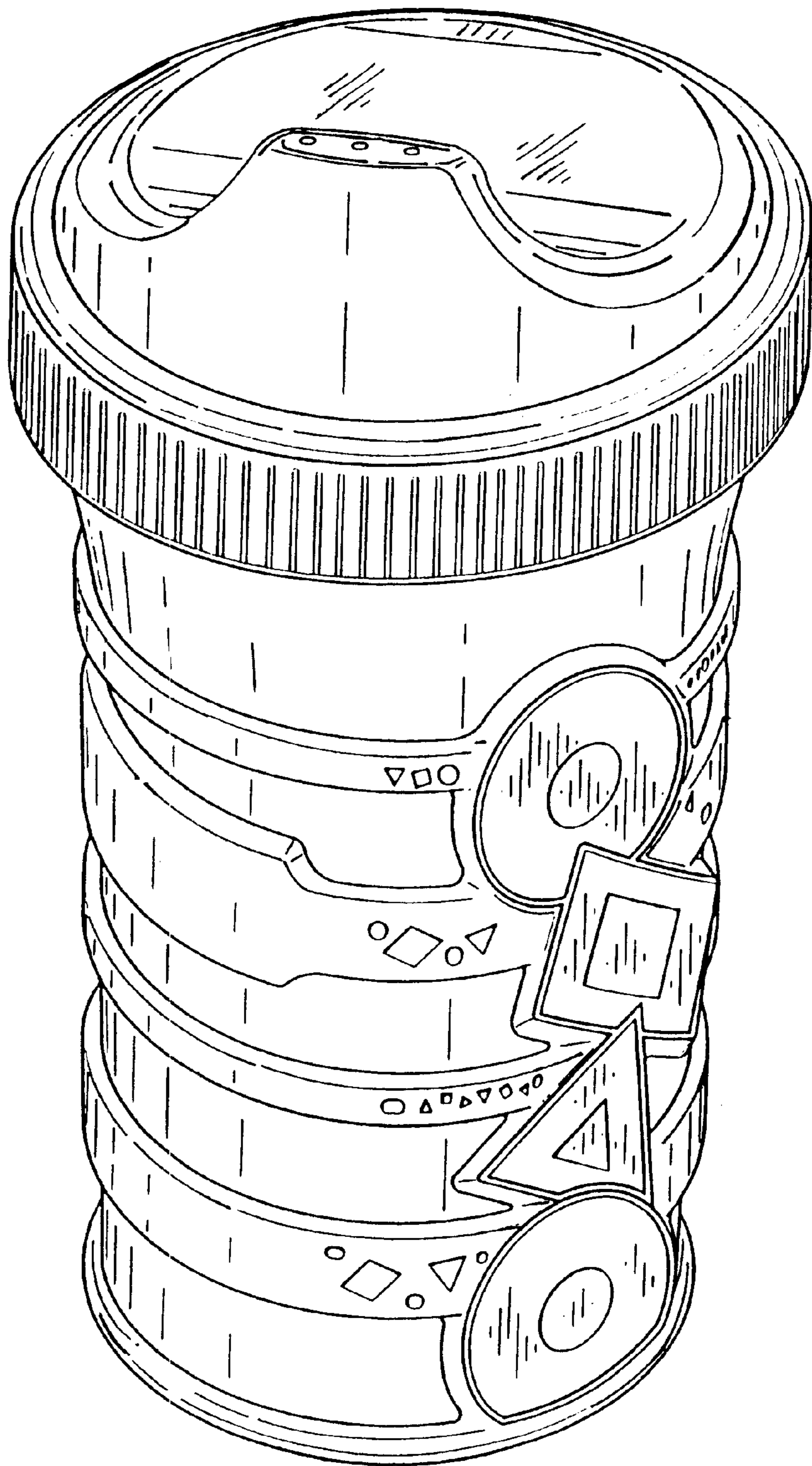


FIG. 2

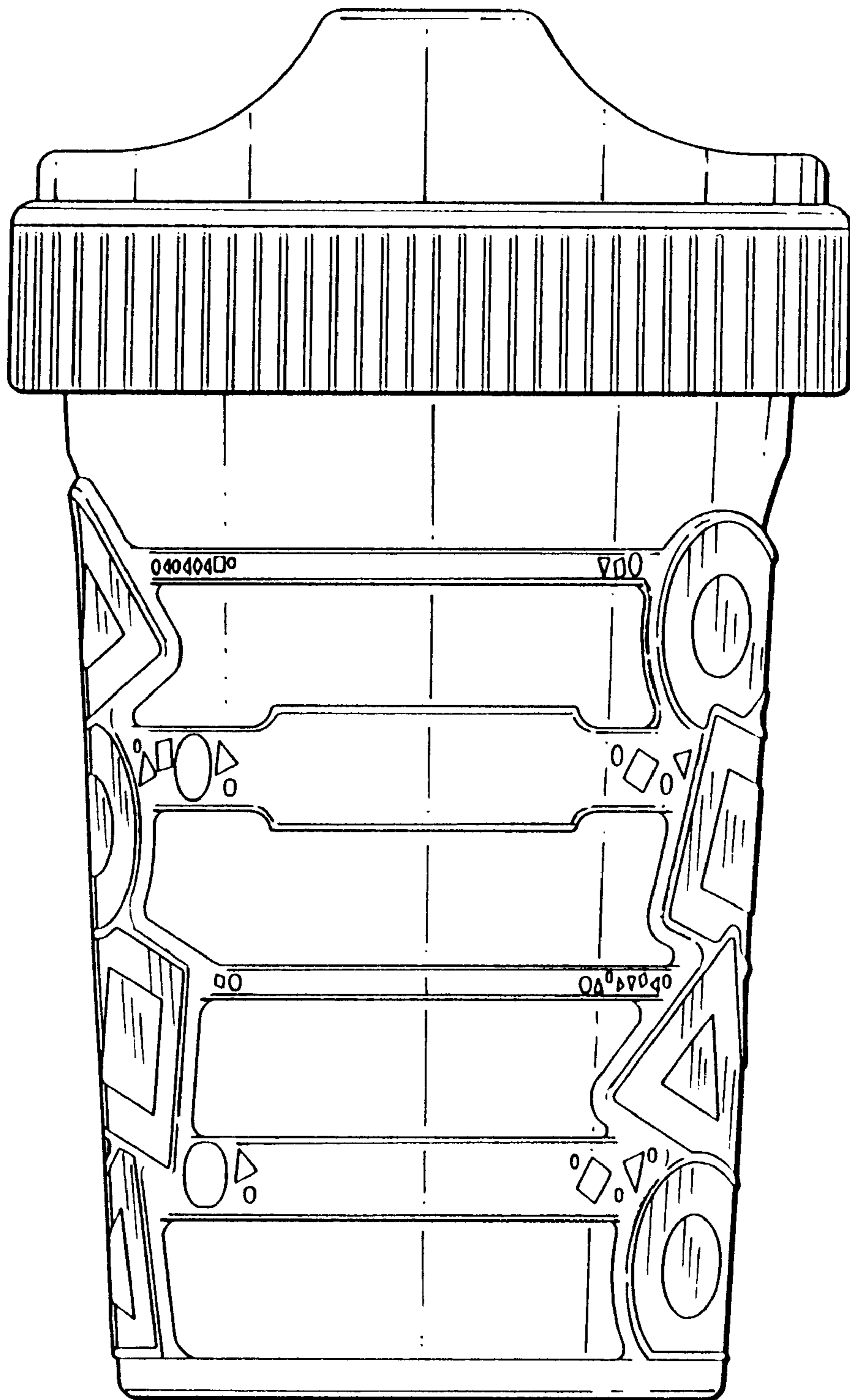


FIG. 3

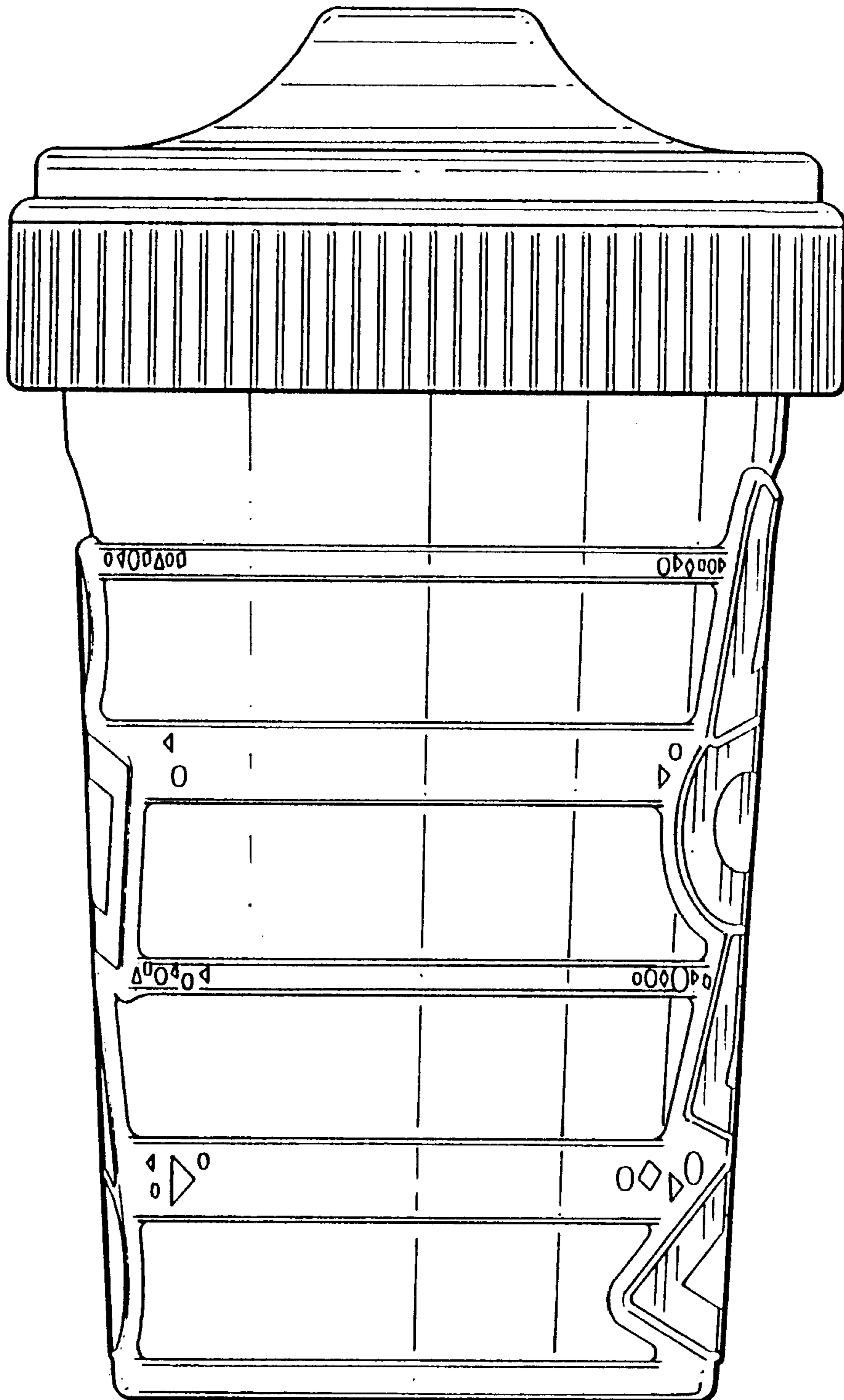


FIG. 4

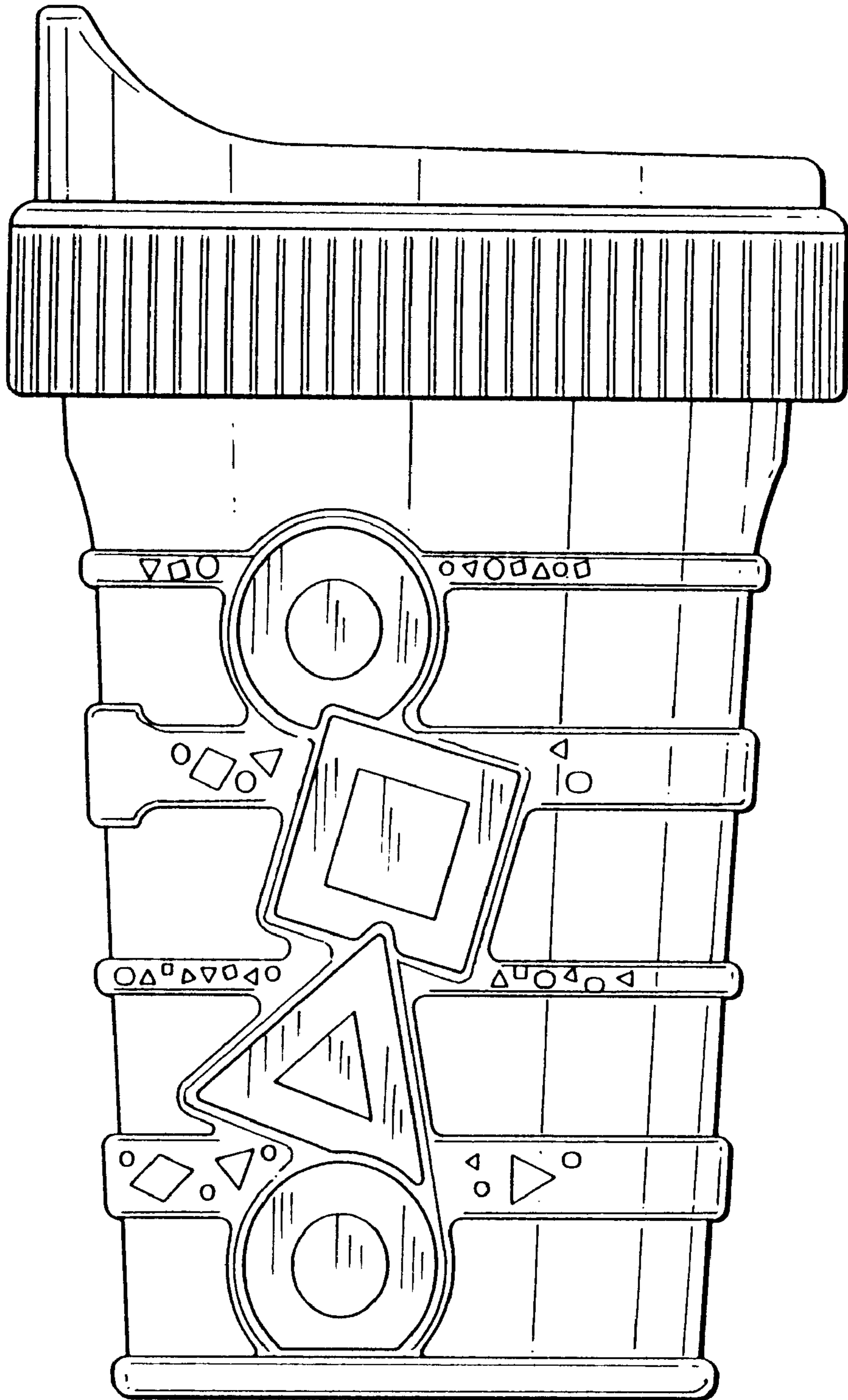


FIG. 5

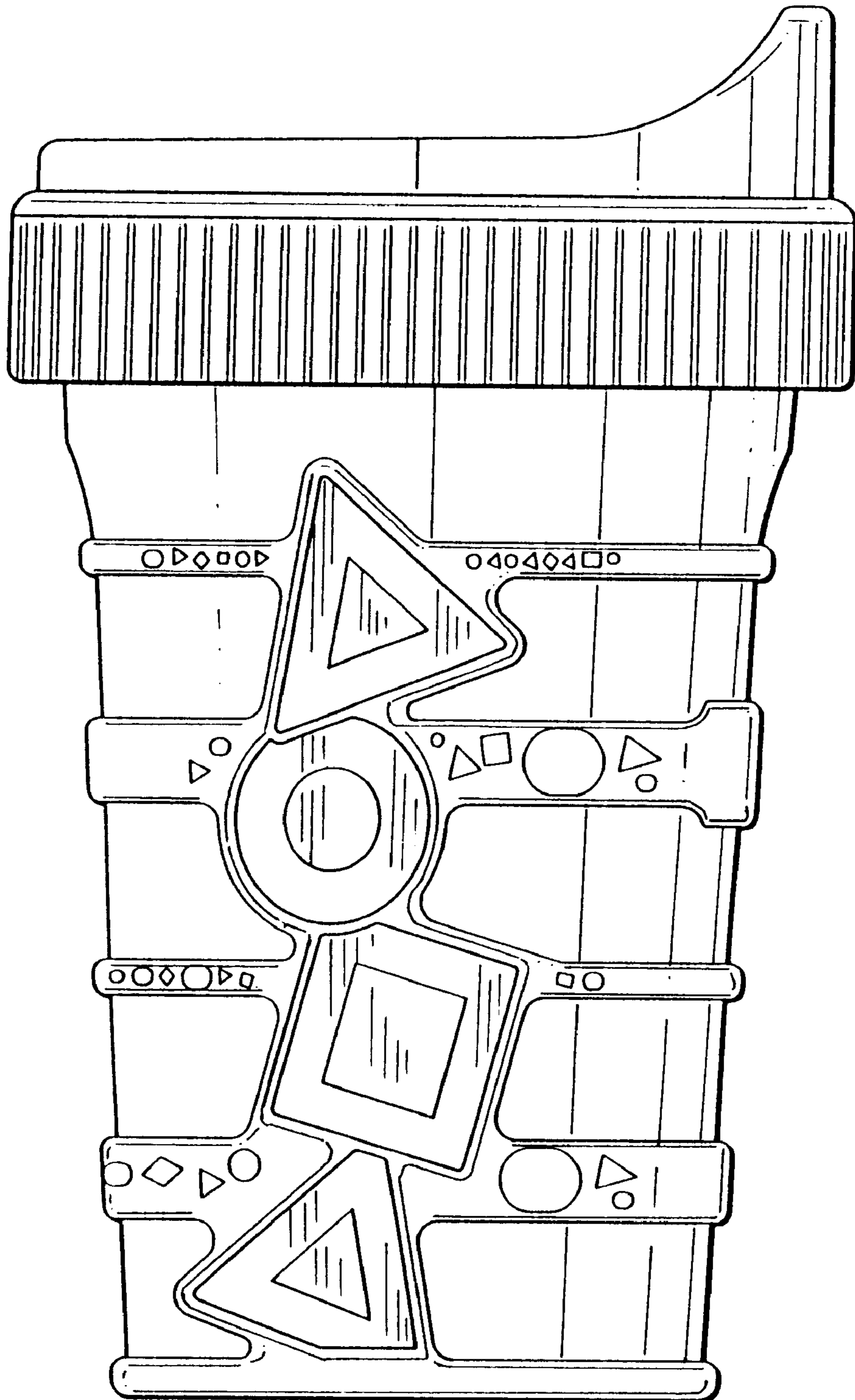


FIG. 6

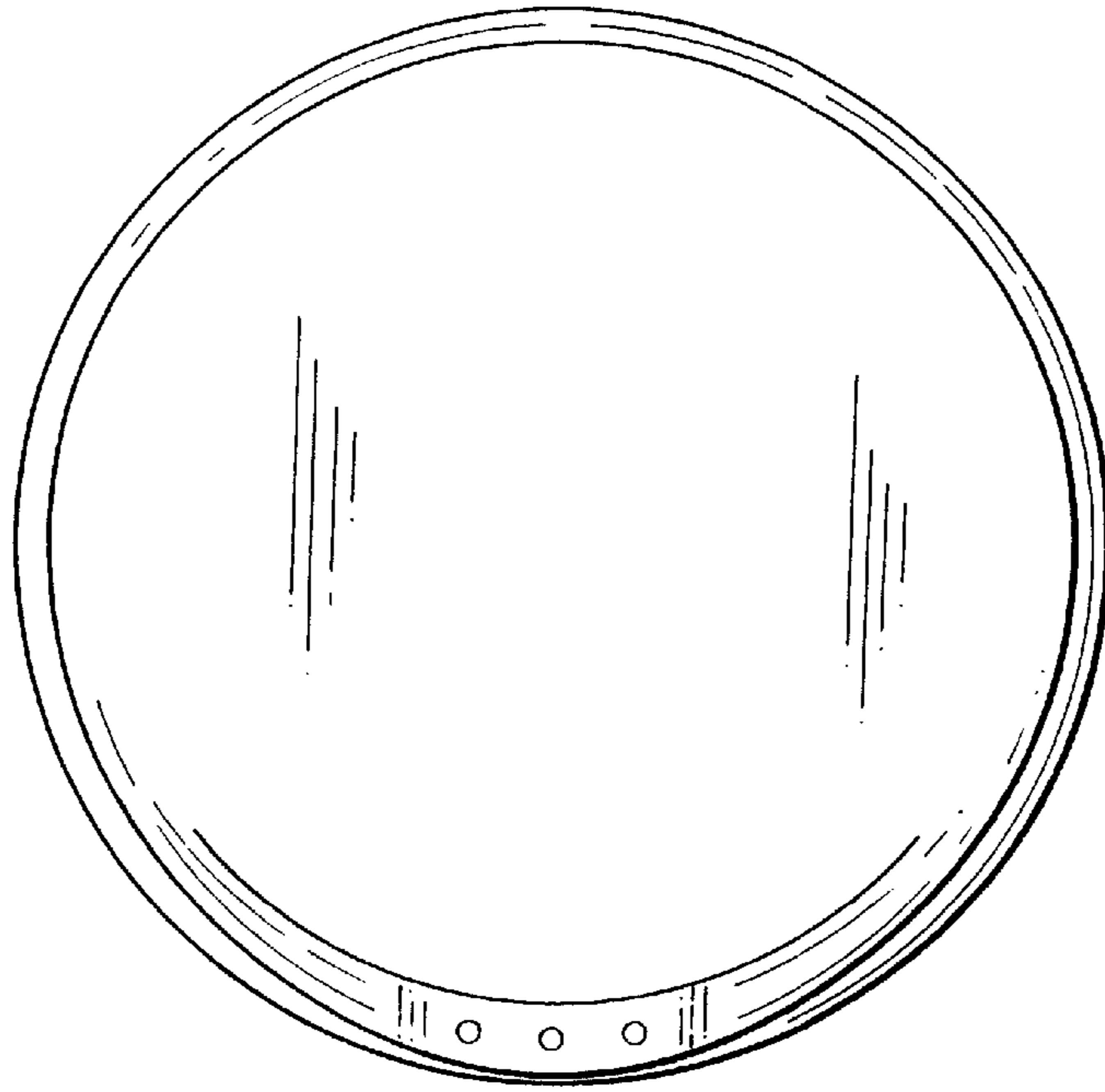


FIG. 7

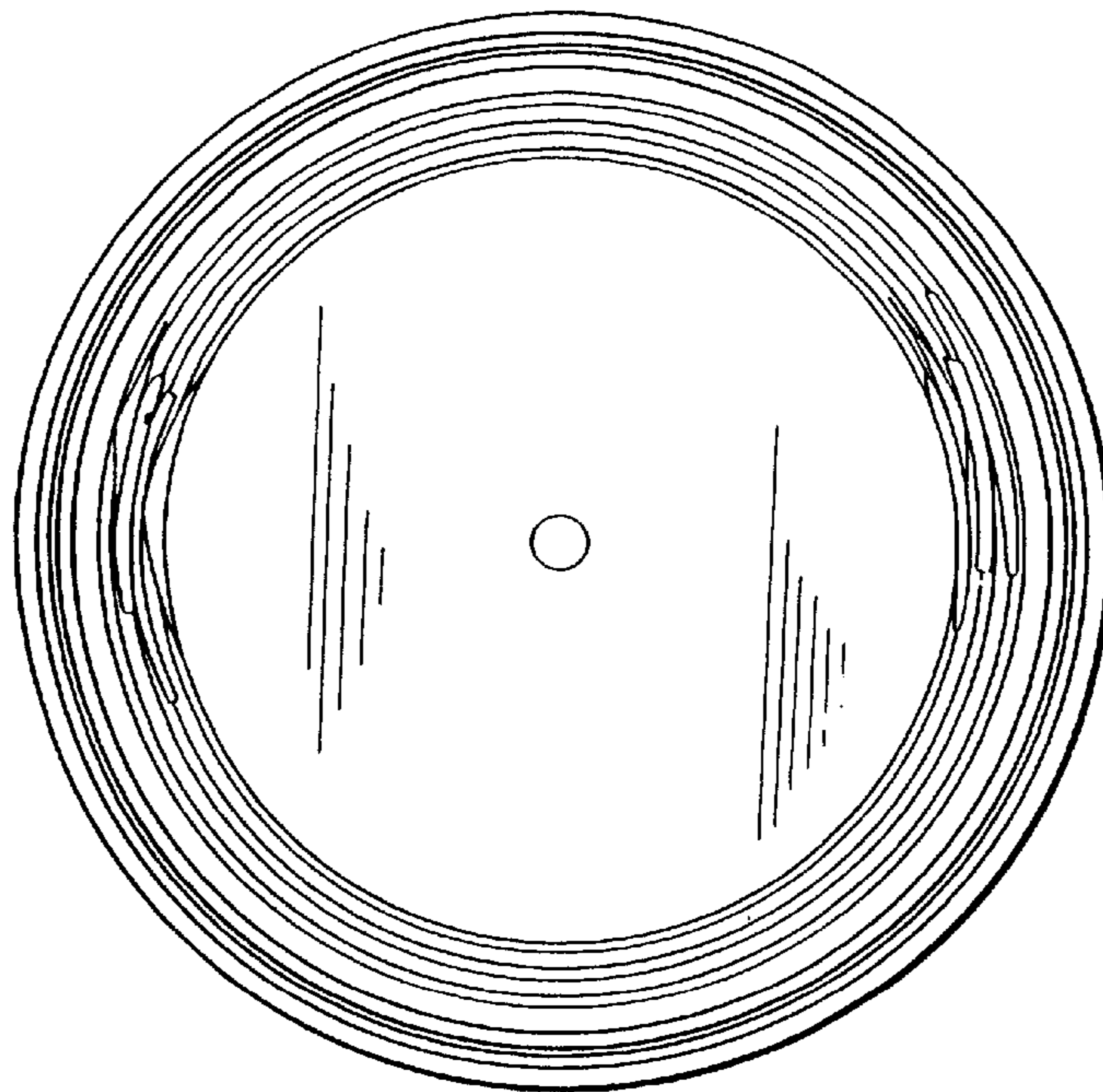


FIG. 8

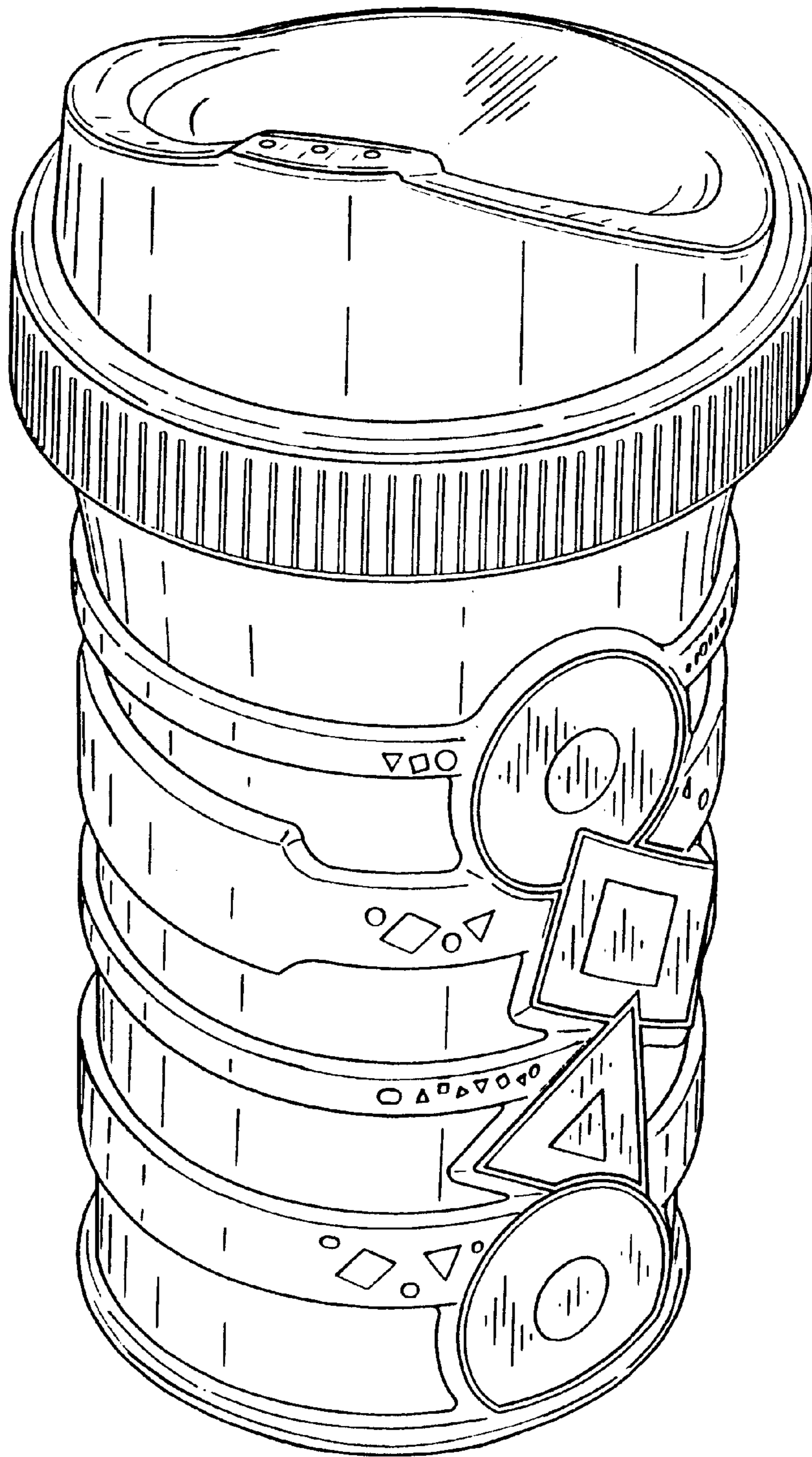


FIG. 9

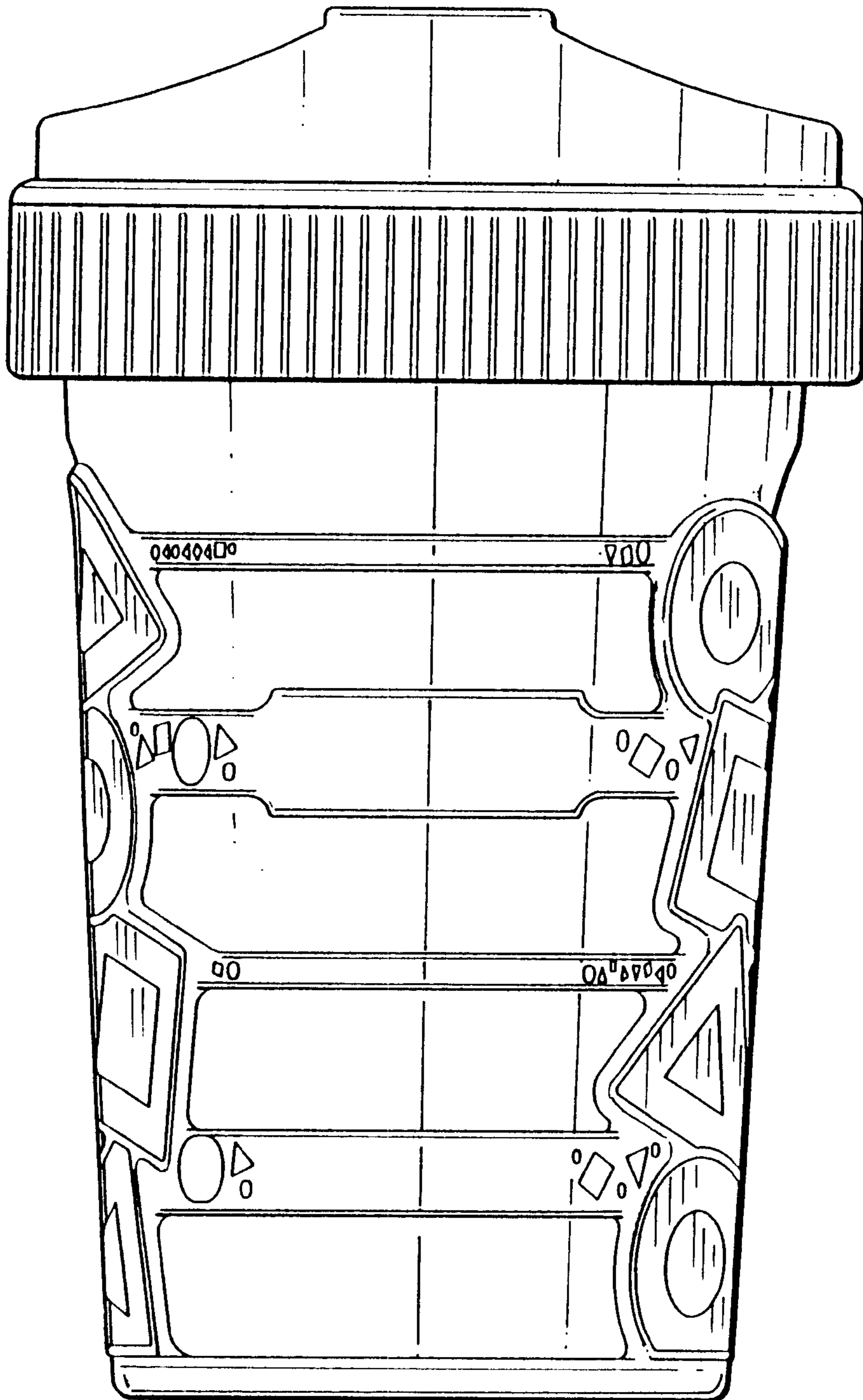


FIG. 10

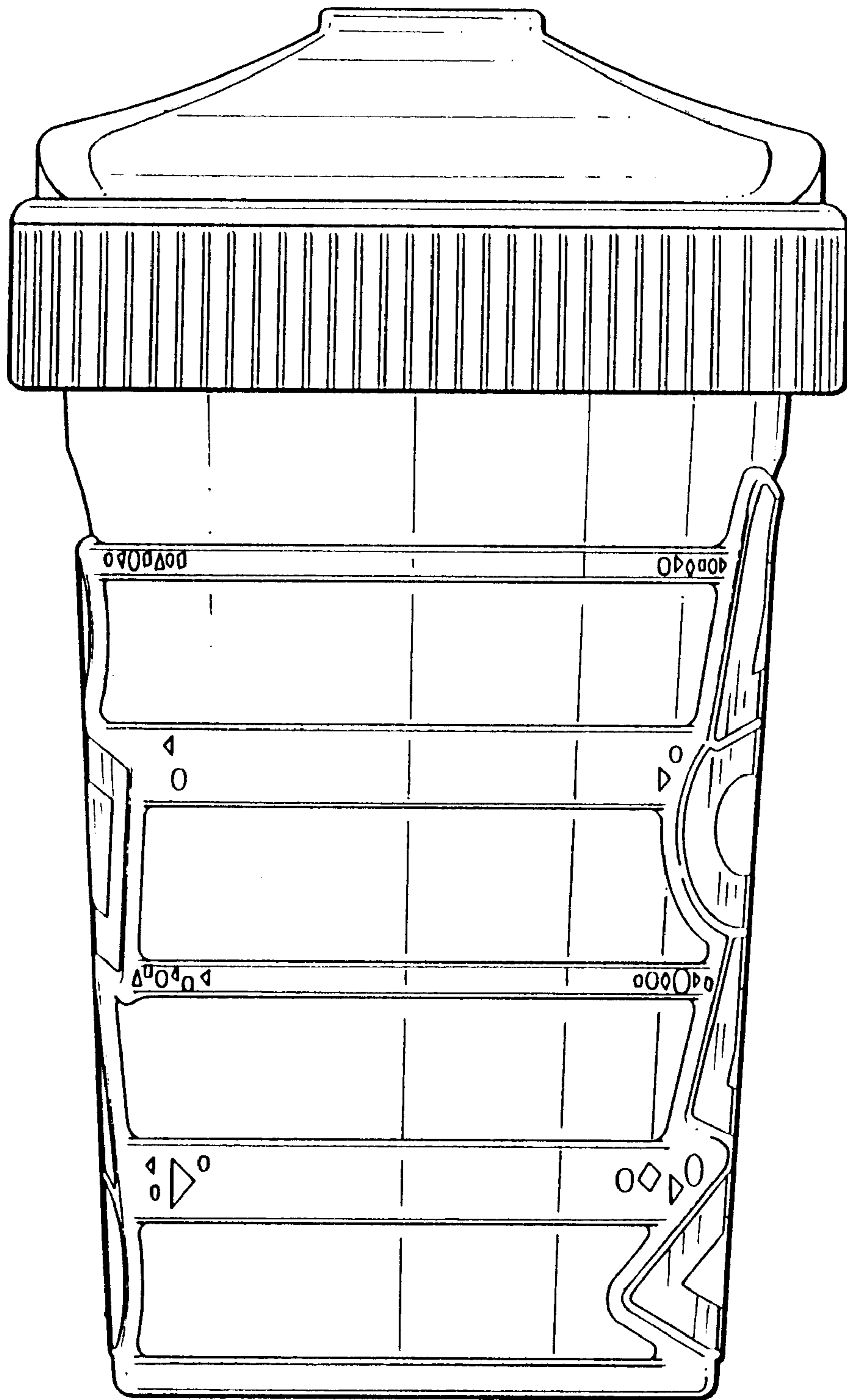


FIG. 11

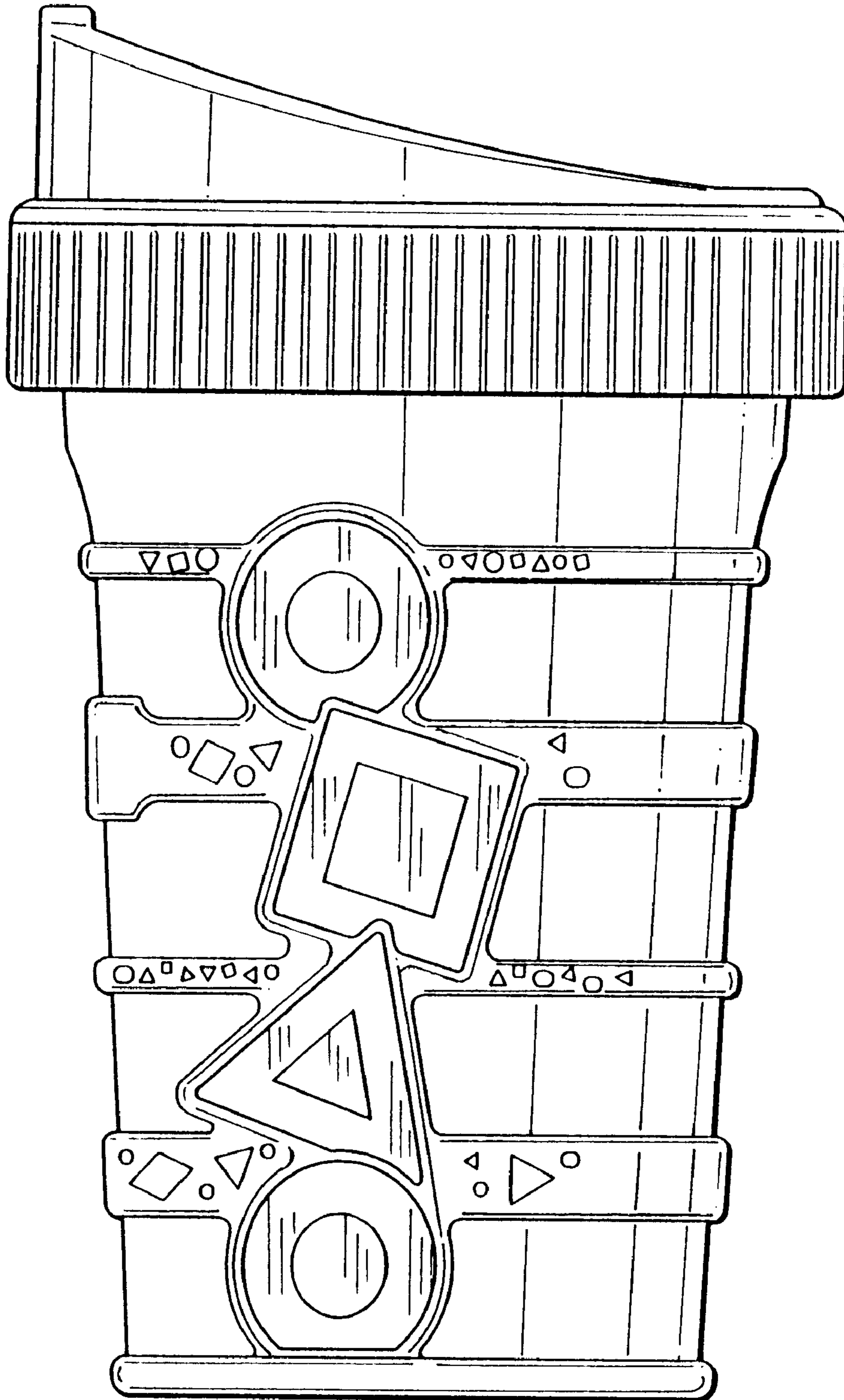


FIG. 12

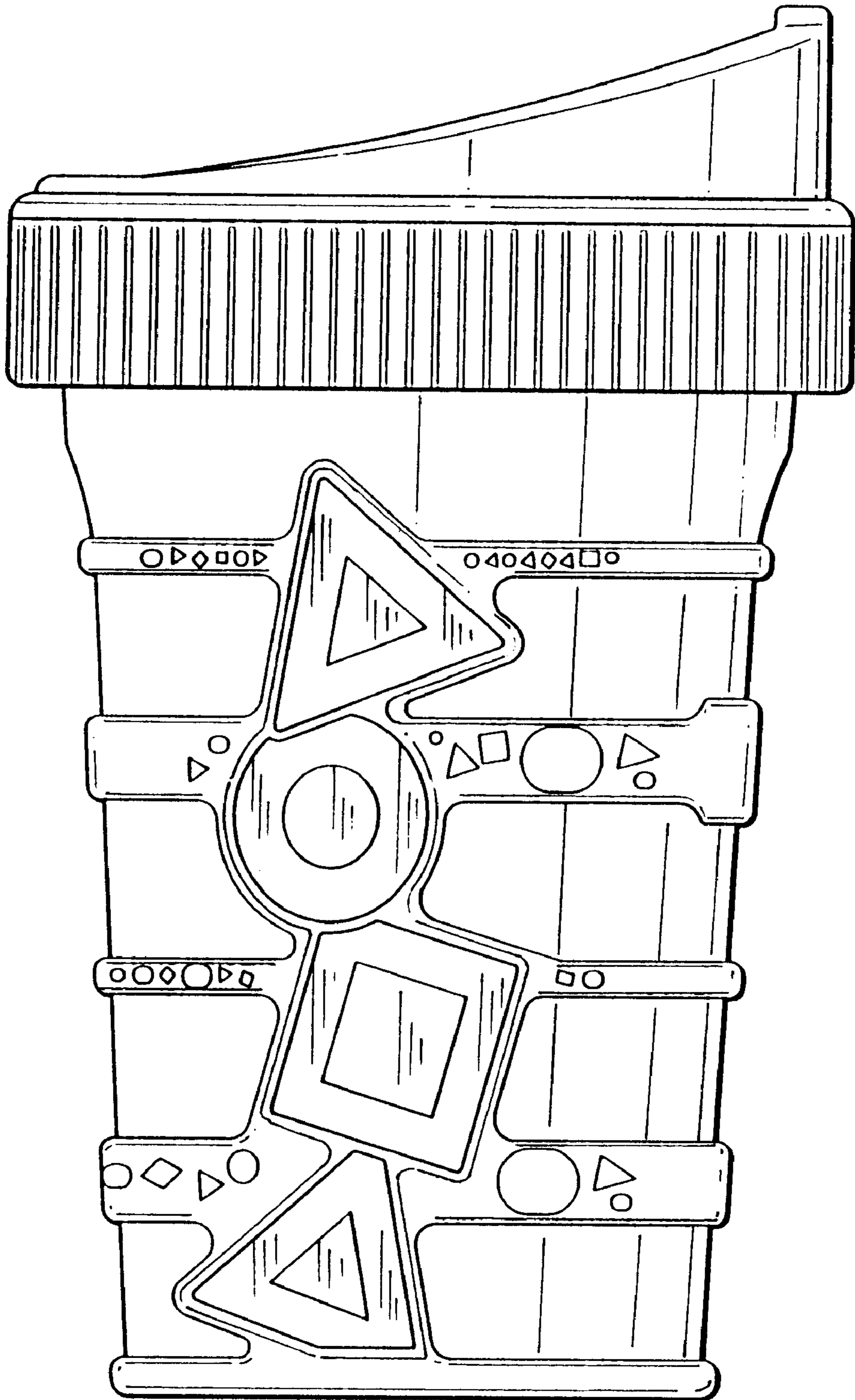


FIG. 13

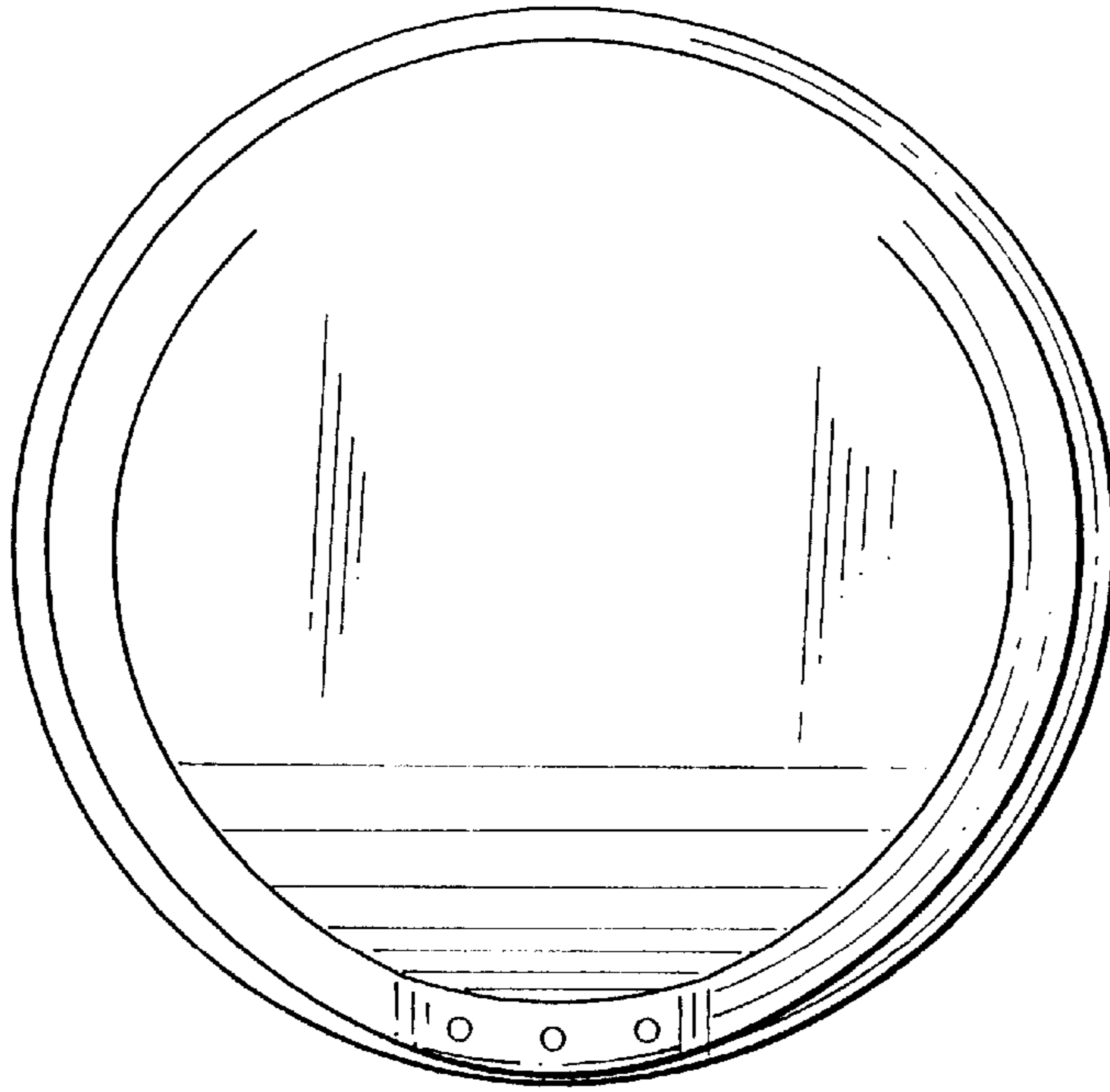


FIG. 14

