



US00D450533B1

(12) **United States Design Patent**  
**Bellon et al.**

(10) **Patent No.:** **US D450,533 S**

(45) **Date of Patent:** **\*\* Nov. 20, 2001**

(54) **TAP AND VALVE ASSEMBLY**

(75) **Inventors:** **Tiziano Bellon**, Ft. Wayne; **Jeffrey L. Beaver**, Indianapolis; **Tom Kasting**, Ft. Wayne, all of IN (US)

(73) **Assignee:** **Rieke Corporation**, Auburn, IN (US)

(\*\*) **Term:** **14 Years**

(21) **Appl. No.:** **29/127,878**

(22) **Filed:** **Aug. 11, 2000**

(51) **LOC (7) Cl.** ..... **07-99**

(52) **U.S. Cl.** ..... **D7/398**

(58) **Field of Search** ..... D23/233; D7/398,  
D7/397, 306, 307, 308, 300; 222/400.7;  
137/322; 99/293

(56) **References Cited**

**U.S. PATENT DOCUMENTS**

D. 295,138 \* 4/1988 Hyde ..... D7/398  
D. 316,208 \* 4/1991 Griffiths et al. .... D7/398  
D. 411,935 \* 7/1999 Roundtree ..... D7/307

D. 412,262 \* 7/1999 Roundtree ..... D7/307  
D. 439,311 \* 3/2001 Martin ..... D23/233  
D. 440,631 \* 4/2001 Shipway ..... D23/233  
4,852,473 \* 8/1989 Bolivar ..... 99/293

\* cited by examiner

*Primary Examiner*—M. N. Pandozzi

(74) *Attorney, Agent, or Firm*—Kwadjo Adusei-Poku;  
Lloyd D. Doigan

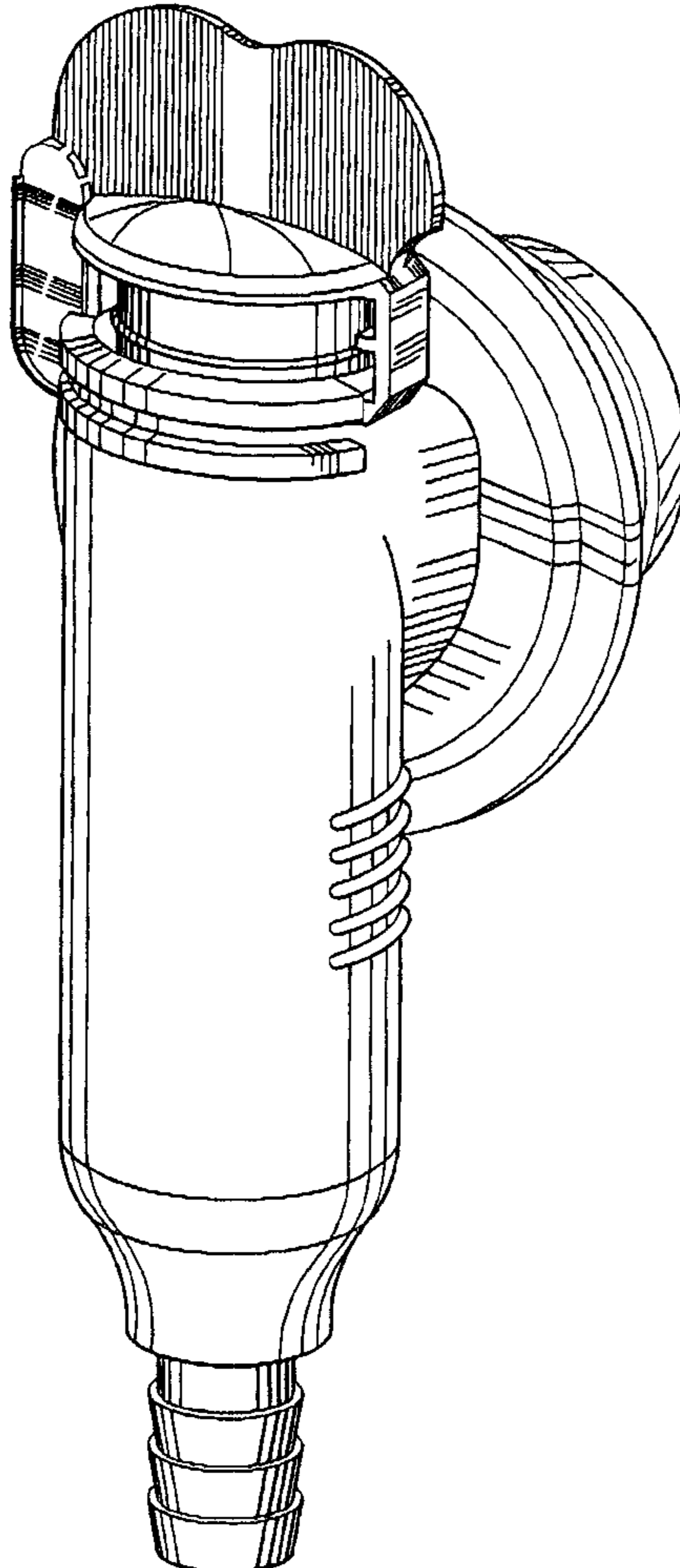
(57) **CLAIM**

The ornamental design for a tap and valve assembly, as shown and described.

**DESCRIPTION**

FIG. 1 is a perspective view of a tap and valve assembly showing our new design;  
FIG. 2 is a left side view thereof;  
FIG. 3 is a right elevational view thereof;  
FIG. 4 is a front elevational view thereof;  
FIG. 5 is a rear elevational view thereof;  
FIG. 6 is a top plan view thereof; and,  
FIG. 7 is a bottom plan view thereof.

**1 Claim, 6 Drawing Sheets**



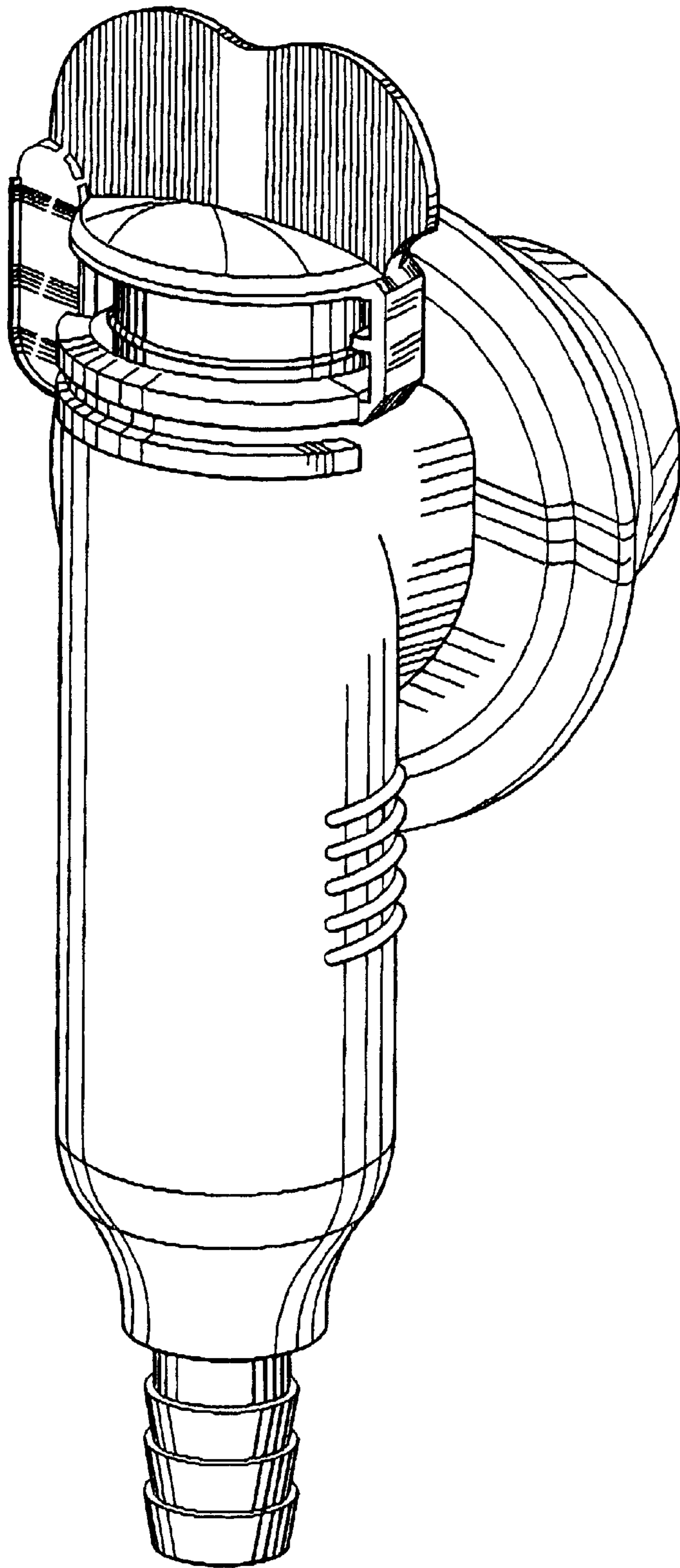


Fig-1

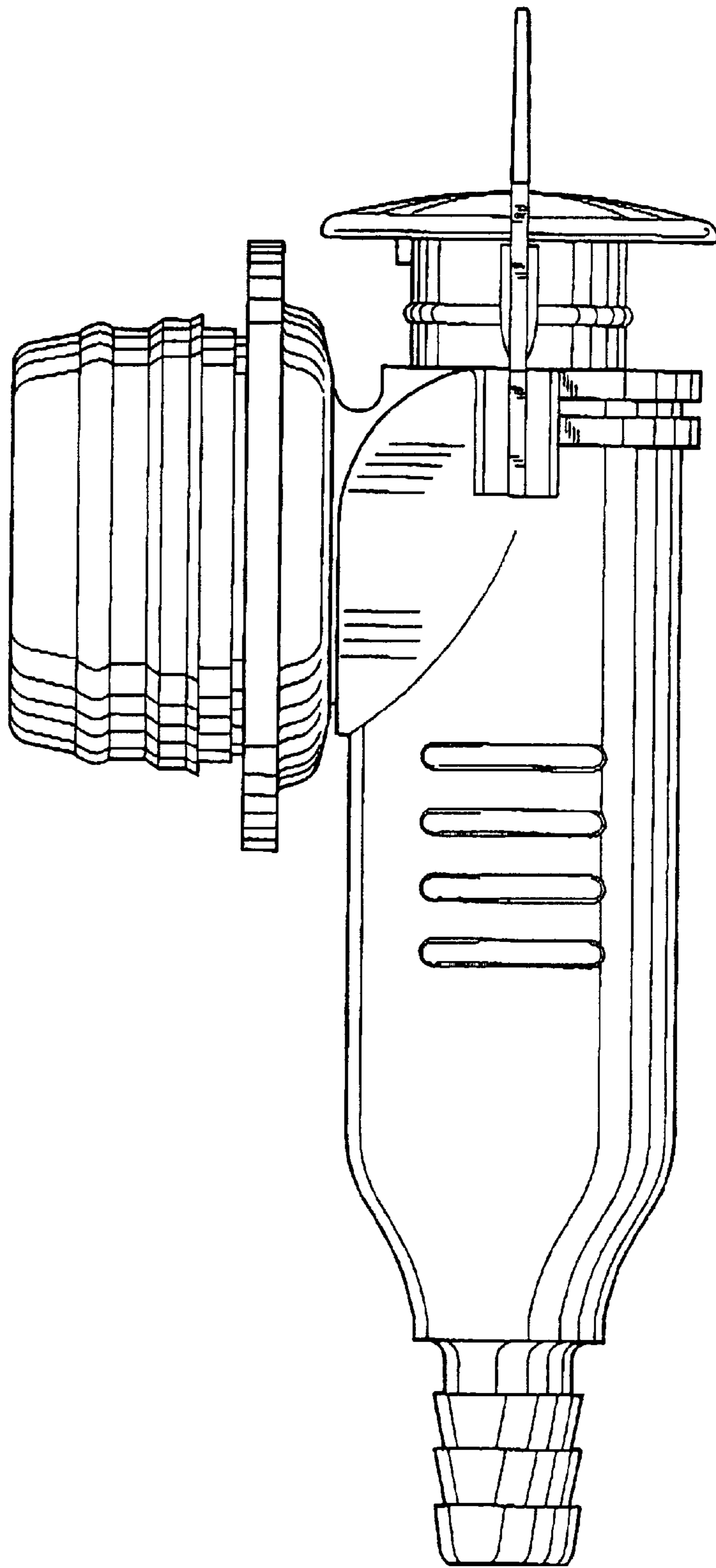


Fig-2

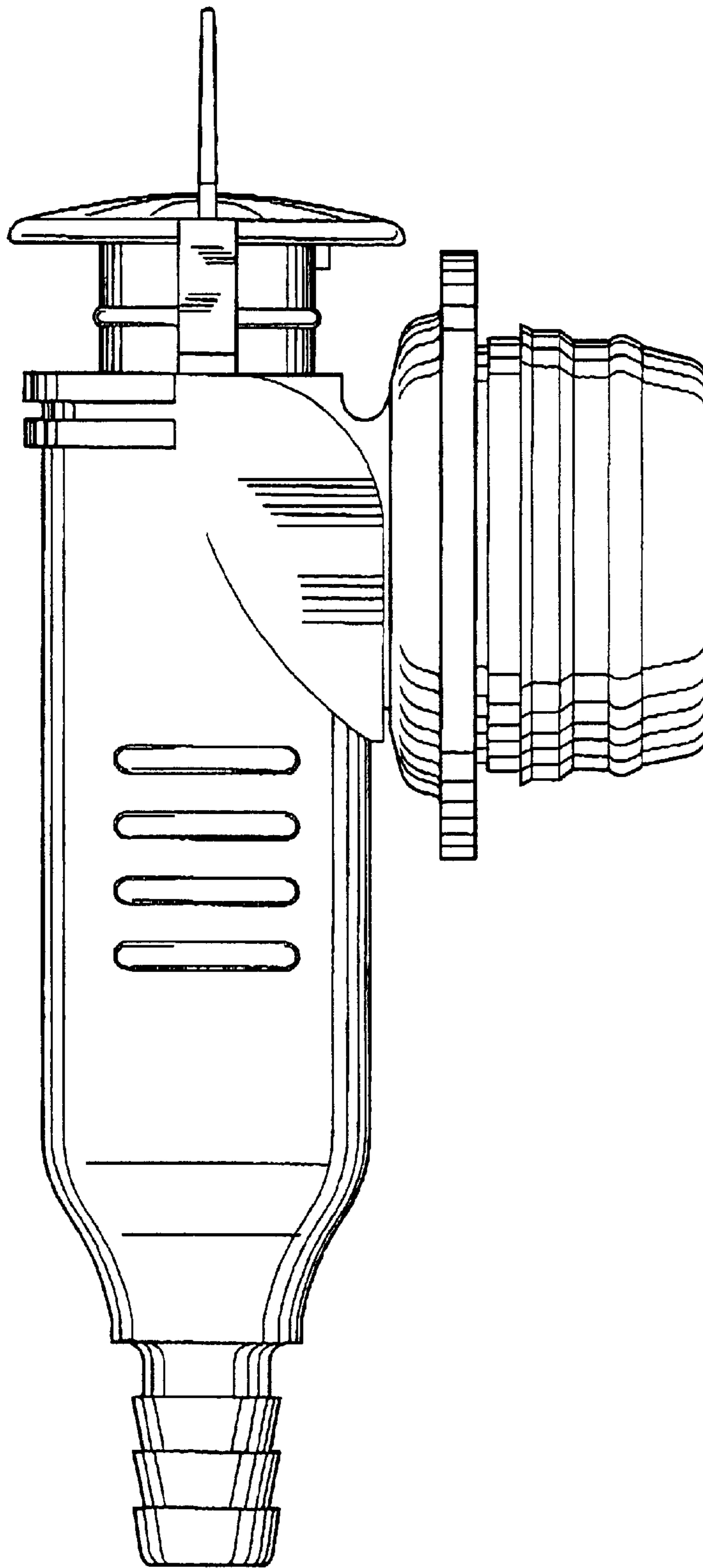


Fig-3

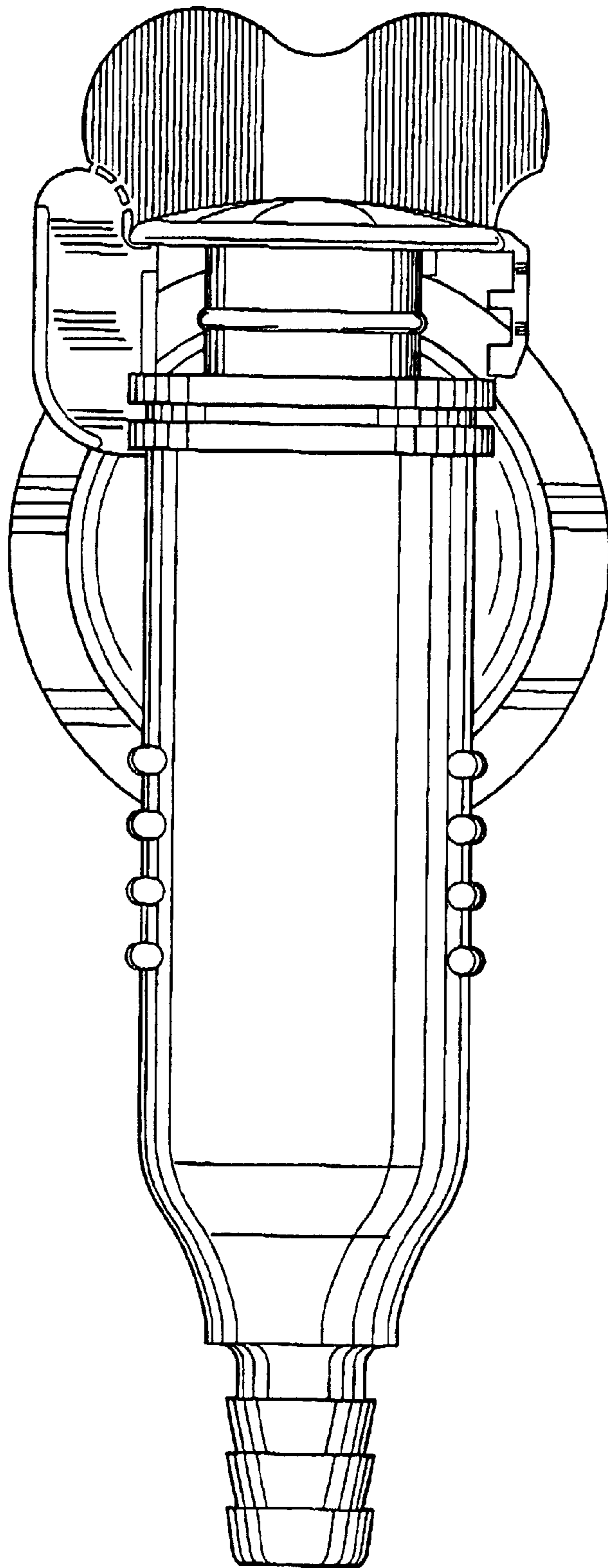


Fig-4

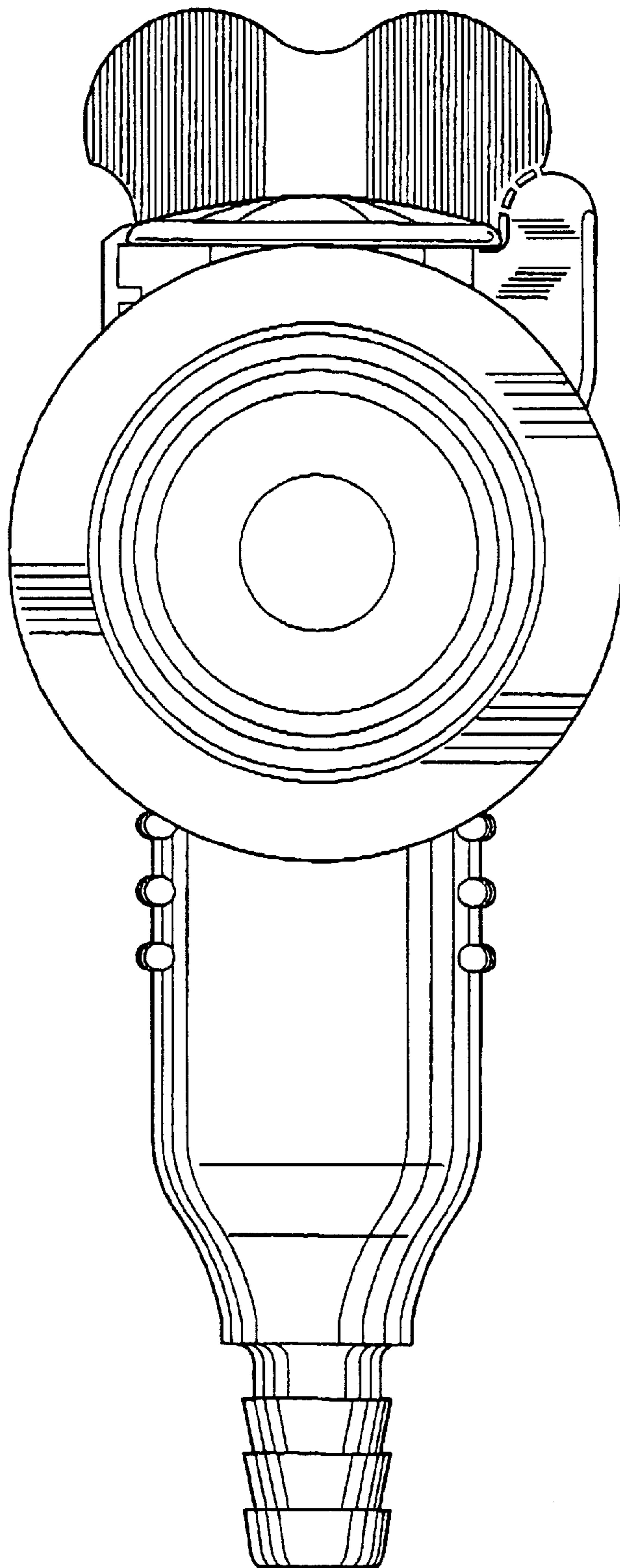


Fig-5

Fig-6

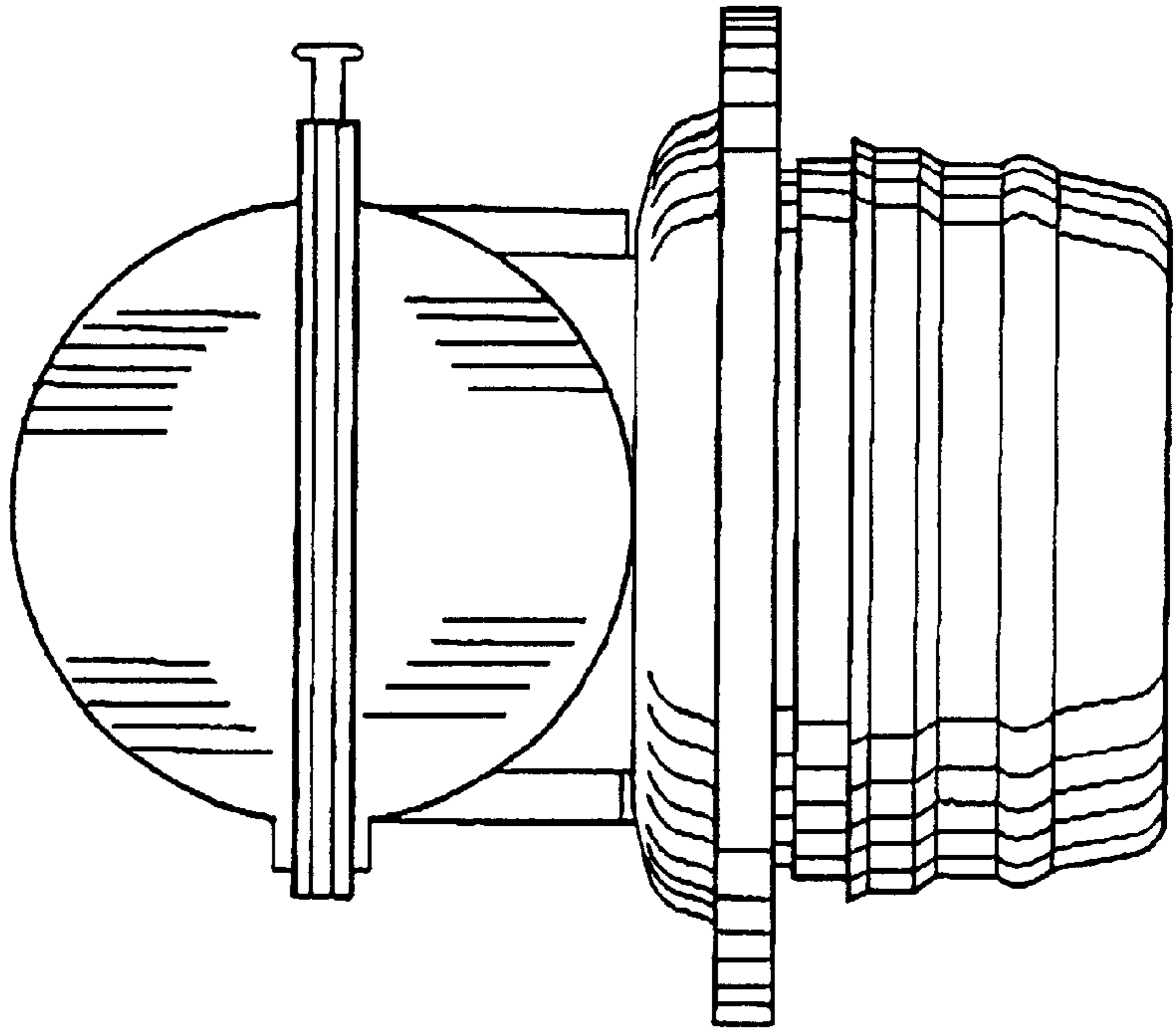


Fig-7

