



US00D450531B1

(12) **United States Design Patent**
McGrath et al.

(10) **Patent No.: US D450,531 S**

(45) **Date of Patent: ** Nov. 20, 2001**

(54) **CARAFE FOR FILTERED WATER**

(75) Inventors: **Kevin Peter McGrath**, Alpharetta;
Malcolm Daniel Poirier, Marietta;
Bruce Scott Williamson, Alpharetta;
Jeffrey Eldon Fish, Dacula, all of GA
(US); **Paul Metaxatos**, Collinsville;
Dave Mathieu, Middleton, both of CT
(US)

(73) Assignee: **Kimberly-Clark Worldwide, Inc.**,
Neenah, WI (US)

(**) Term: **14 Years**

(21) Appl. No.: **29/107,178**

(22) Filed: **Jun. 29, 1999**

(51) **LOC (7) Cl. 07-01**

(52) **U.S. Cl. D7/392; D7/392.1**

(58) **Field of Search D7/312, 300, 316,**
D7/317, 318, 319, 322, 391, 392.1, 392;
99/279, 307, 280, 283; 272/475.1, 131,
183, 88; 220/300

(56) **References Cited**

U.S. PATENT DOCUMENTS

D. 148,165	12/1947	Homan	D44/21
D. 203,211	* 12/1965	Brocken	D7/392
D. 204,896	* 5/1966	Schlessel	D7/392
D. 249,275	9/1978	Mackay et al.	D23/4
D. 295,888	5/1988	Schulein et al.	D23/207
D. 313,726	1/1991	Scherer	.	
D. 319,864	9/1991	Geneve et al.	D23/209
D. 321,550	11/1991	Laughlen et al.	D23/209
D. 321,745	11/1991	Murrell	D23/209
D. 323,874	2/1992	Hirman et al.	D23/209
D. 323,875	2/1992	Kang et al.	D23/209
D. 324,320	3/1992	Pedersen	D7/310
D. 325,146	4/1992	Pedersen	D7/310
D. 325,768	4/1992	Hankammer	D23/212
D. 331,446	12/1992	Gidman	D23/209
D. 332,028	12/1992	Melamed et al.	D7/317
D. 335,239	5/1993	Crunden et al.	D7/317
D. 336,760	6/1993	Raunkjaer	D23/209

D. 337,690	7/1993	Bunn et al.	.	
D. 337,691	7/1993	Raunkjaer	D7/317
D. 339,023	9/1993	De Coster	D7/318
D. 343,673	1/1994	Bannigan	D23/209
D. 345,669	* 4/1994	Piret	D7/319
D. 345,670	* 4/1994	Piret	D7/319
D. 348,305	6/1994	Bannigan	D23/209
D. 350,255	9/1994	Daenen et al.	D7/317
D. 356,004	3/1995	Van Valkenburg et al.	D7/317

(List continued on next page.)

FOREIGN PATENT DOCUMENTS

1124891	3/1962	(DE)	.	
1536755	2/1970	(DE)	.	
19524587	1/1997	(DE)	.	
0460795	12/1991	(EP)	.	
2196329	4/1988	(GB)	.	
05068641	3/1993	(JP)	.	
10043028	2/1998	(JP)	.	
96/13318	5/1996	(WO)	.	
98/32705	7/1998	(WO)	C02F/9/00
99/32212	7/1999	(WO)	.	

OTHER PUBLICATIONS

DE 29805098 U1 Abstract, Jun. 10, 1998, Ratner.

* cited by examiner

Primary Examiner—M. N. Pandozzi

(74) *Attorney, Agent, or Firm*—Christos S. Kyriakou;
Nancy M. Klembus

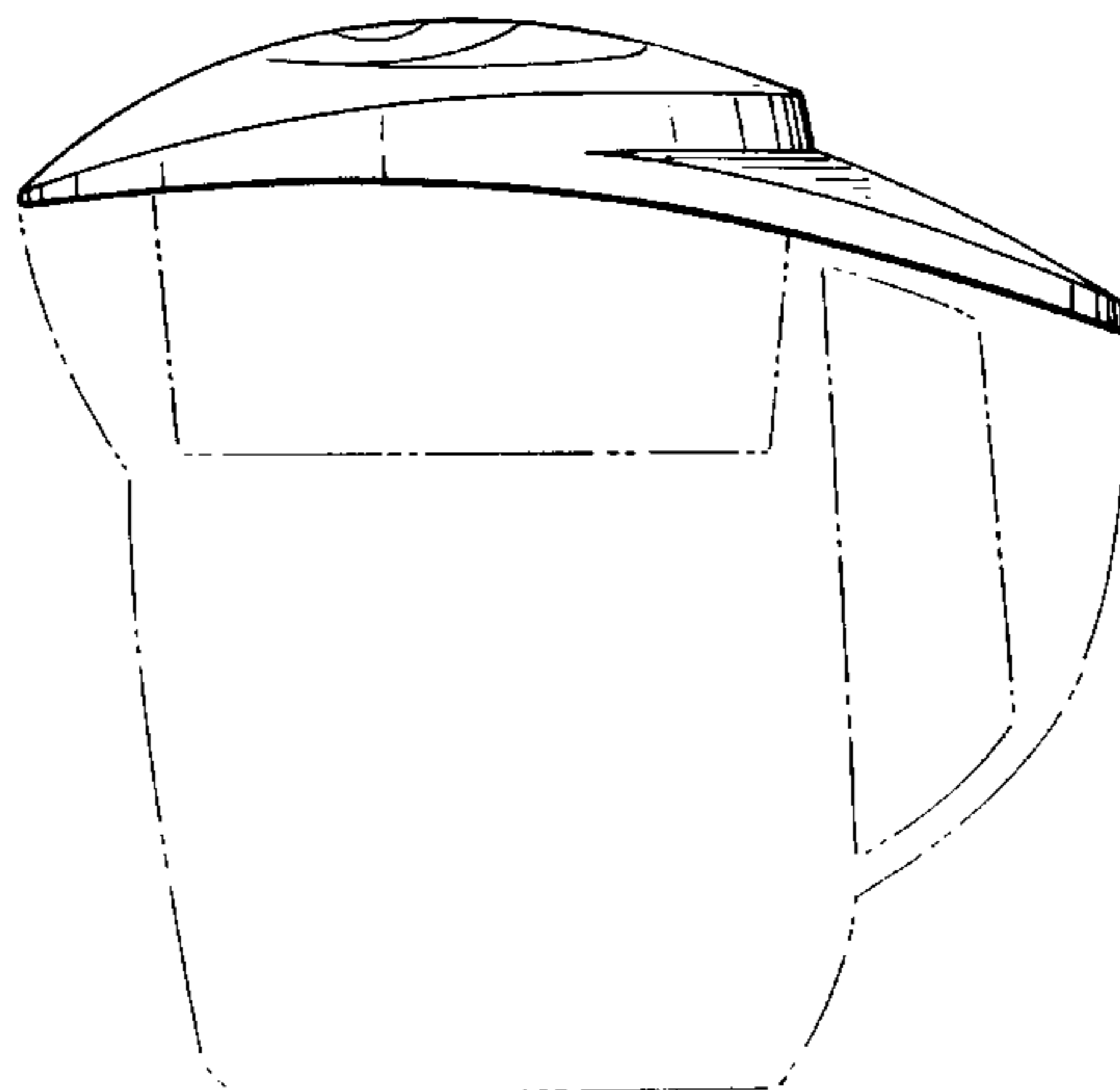
(57) **CLAIM**

We claim the ornamental design for a carafe for filtered water, as shown and described herein.

DESCRIPTION

FIG. 1 is a side view of the carafe for filtered water.
FIG. 2 is a front view of the carafe for filtered water.
FIG. 3 is a rear view of the carafe for filtered water.
FIG. 4 is a bottom view of the carafe for filtered water; and,
FIG. 5 is a top view of the carafe for filtered water.
The broken line showing of a carafe base is for illustrative purposes only and forms no part of the claimed design.

1 Claim, 2 Drawing Sheets



US D450,531 S

Page 2

U.S. PATENT DOCUMENTS				
		4,776,956	10/1988	Gannaway 210/282
		4,824,565	4/1989	Middleton .
D. 360,929	8/1995	Albertson	D23/209	
D. 362,583	9/1995	Weber et al.	D7/321	
D. 363,760	10/1995	Morem et al.	D23/209	
D. 370,051	5/1996	Samson et al.	D23/209	
D. 377,437	1/1997	Magnusson	D7/319	
D. 379,732	6/1997	Jeppesen et al.	D7/319	
D. 381,858	8/1997	Richaud .		
D. 383,351 *	9/1997	DeMore	D7/319	
D. 386,041 *	11/1997	Tanner et al.	D7/319	
D. 386,351	11/1997	Joergensen	D7/319	
D. 386,943	12/1997	Demore et al.	D7/397	
D. 386,944	12/1997	Demore et al.	D7/397	
D. 388,655	1/1998	Flom et al.	D7/319	
D. 389,004	1/1998	Hampshire et al.	D7/319	
D. 389,006	1/1998	Demore et al. .		
D. 398,366	9/1998	Ulery et al.	D23/209	
D. 400,392	11/1998	Robertson et al.	D7/319	
D. 400,755	11/1998	Ferlin, Jr.	D7/319	
D. 406,003	2/1999	Tanner et al.	D7/319	
D. 414,070 *	9/1999	Saltet	D7/319	
D. 415,922 *	11/1999	Kawasaki et al.	D7/317	
D. 416,163 *	11/1999	Doritty et al.	D7/319	
D. 418,714 *	1/2000	Fox et al.	D7/319	
D. 421,361 *	3/2000	Coulson et al.	D7/319	
1,774,004	8/1930	Haslett .		
3,430,769	3/1969	Sanzenbacher .		
3,631,793	1/1972	Bednartz	99/295	
3,861,565	1/1975	Rickmeier, Jr. .		
4,046,495	9/1977	Grimm, Jr.	417/268	
4,054,526	10/1977	Muller .		
4,151,092	4/1979	Grimm et al.	210/256	
4,441,996	4/1984	Hurst .		
4,477,347	10/1984	Sylva	210/232	
4,529,511	7/1985	Breeden et al. .		
4,623,457	11/1986	Hankammer	210/237	
4,714,550	12/1987	Malson et al. .		
4,764,274	8/1988	Miller	210/232	
		5,076,922	12/1991	DeAre
		5,078,874	1/1992	Sullivan .
		5,122,272	6/1992	Iana et al.
		5,167,819	12/1992	Iana et al.
		5,190,643	3/1993	Duncan et al.
		5,211,973	5/1993	Nohren, Jr. .
		5,225,078	7/1993	Polasky et al.
		5,273,649	12/1993	Magnusson et al.
		5,310,085	5/1994	Lontrade et al. .
		5,328,597	7/1994	Boldt, Jr. et al.
		5,362,385	11/1994	Klegerman et al. .
		5,518,613	5/1996	Koczur et al.
		5,536,394	7/1996	Lund et al.
		5,536,396	7/1996	Mudra et al.
		5,560,939	10/1996	Nakagawa et al. .
		5,562,824	10/1996	Magnusson
		5,569,374	10/1996	Williams
		5,637,214	6/1997	Kahana
		5,638,991	6/1997	Todden et al.
		5,665,224	9/1997	Levene et al.
		5,688,588	11/1997	Cotton et al.
		5,733,448	3/1998	Kaura
		5,785,844	7/1998	Lund et al.
		5,811,004	9/1998	Robertson et al.
		5,830,360	11/1998	Mozaveni
		5,846,418	12/1998	Thompson et al.
		5,873,995	2/1999	Huang et al.
		5,882,507	3/1999	Tanner et al.
		5,900,143	5/1999	Dalton et al.
		5,928,506	7/1999	Bae .

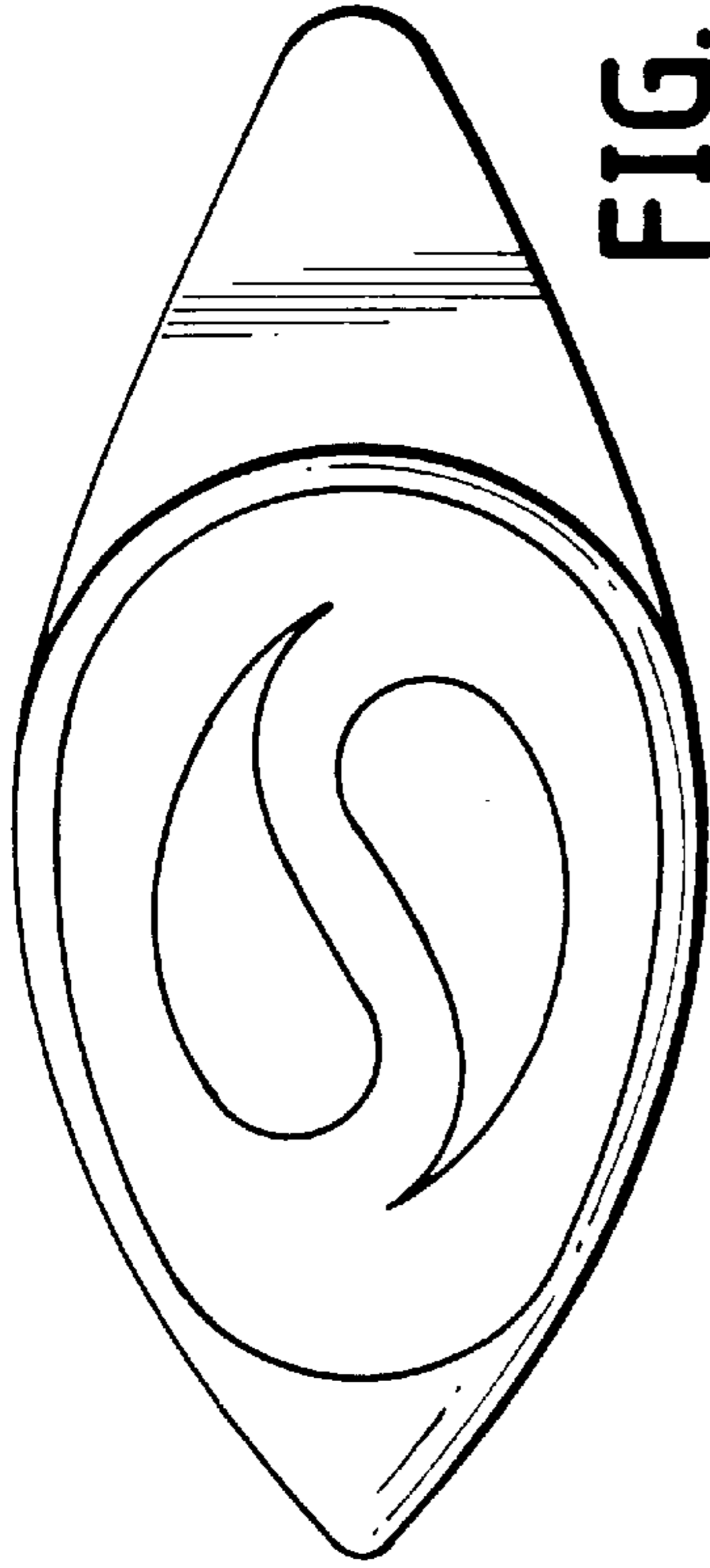


FIG. 5

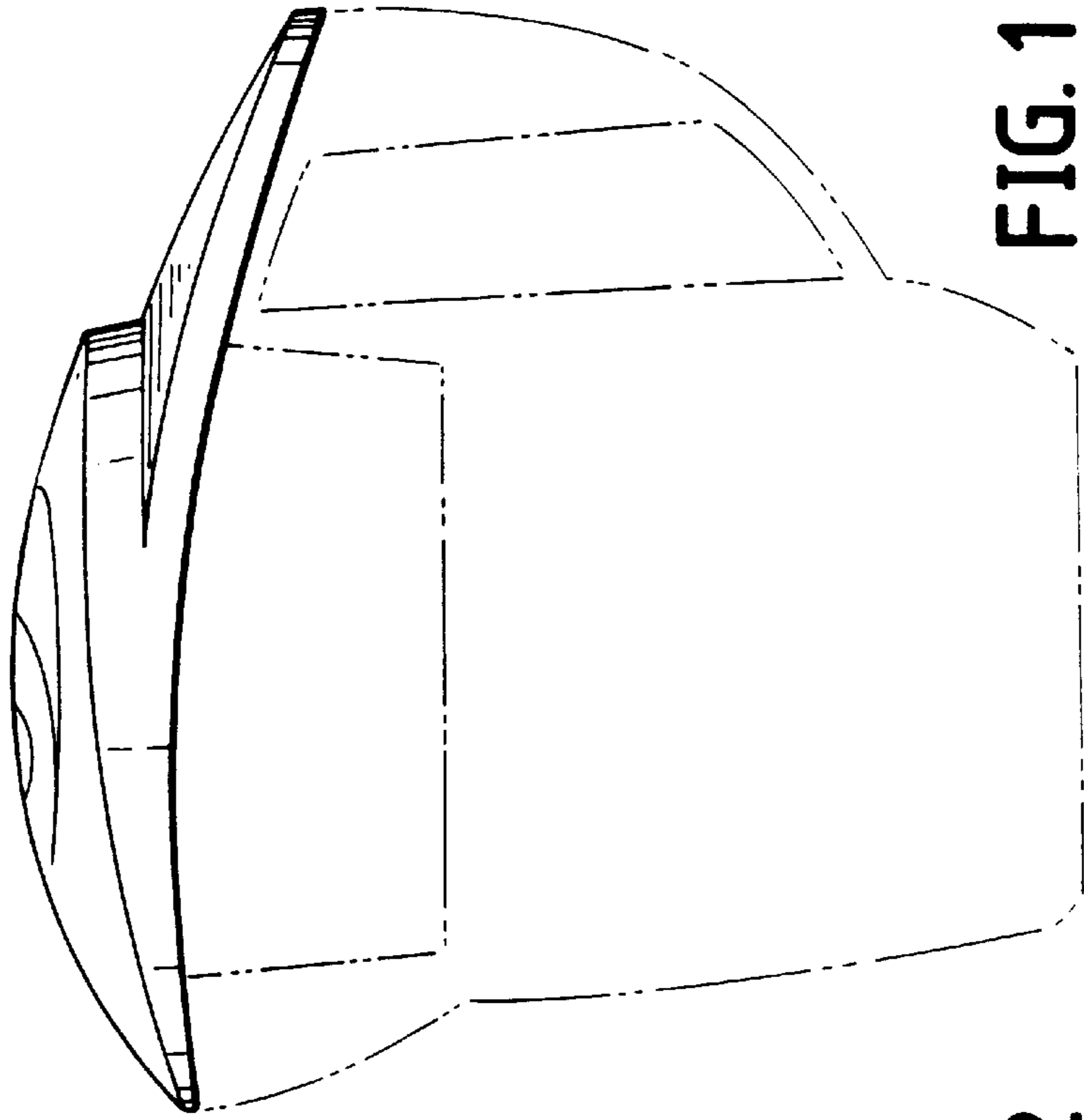


FIG. 1

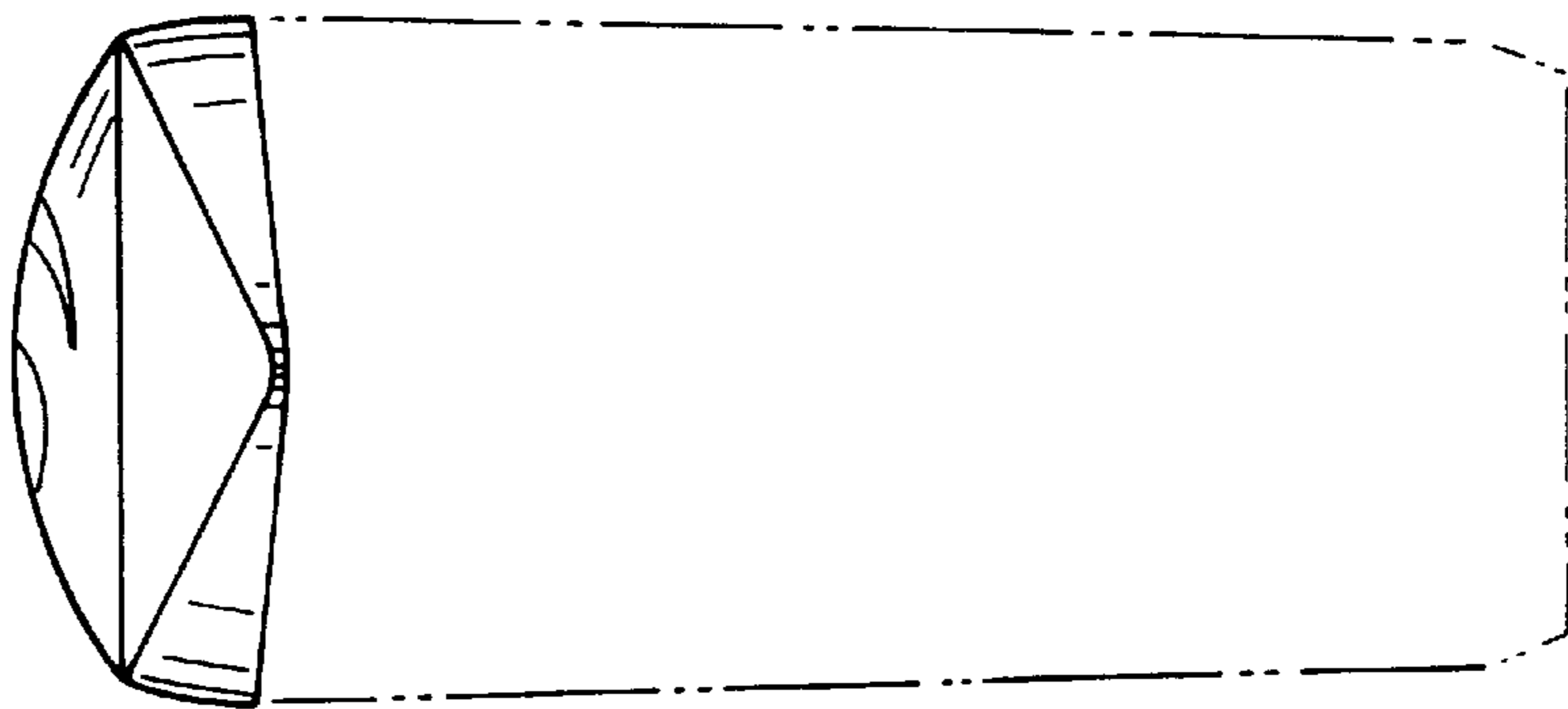


FIG. 2

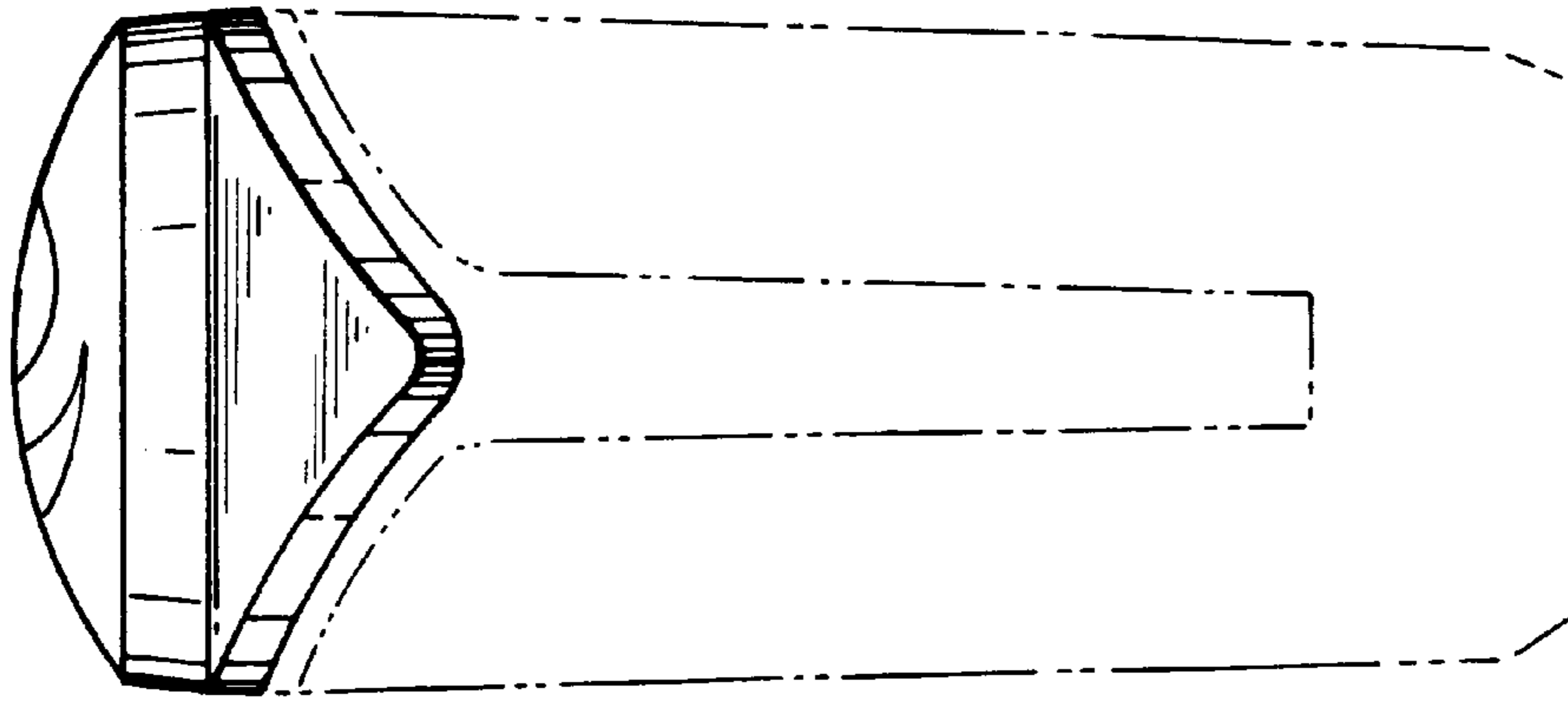


FIG. 3

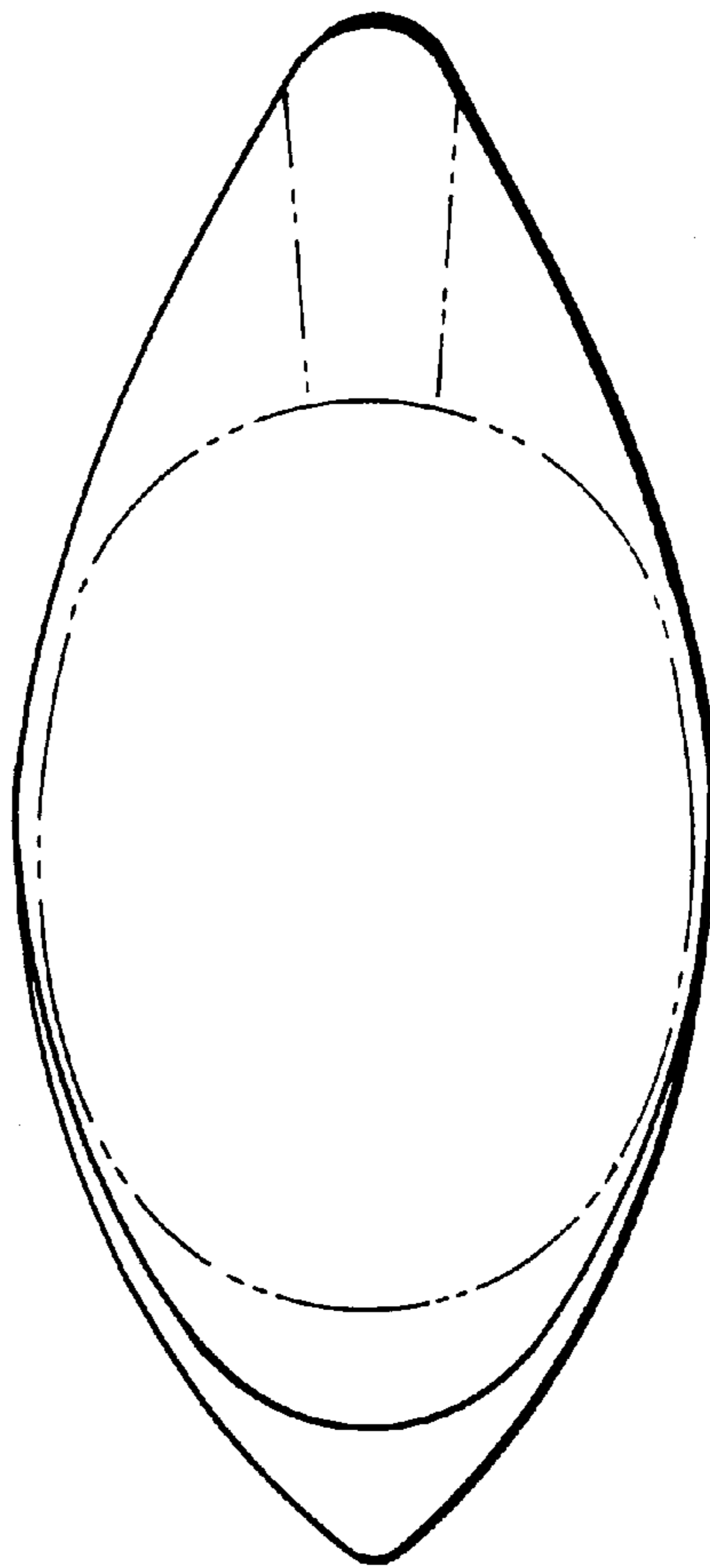


FIG. 4