



US00D450528B1

(12) **United States Design Patent**
Rossman

(10) **Patent No.:** **US D450,528 S**

(45) **Date of Patent:** **** Nov. 20, 2001**

(54) **FOOD COOKING APPLIANCE**

(75) Inventor: **Jon Rossman**, Chelmsford, MA (US)

(73) Assignee: **The Holmes Group**, Milford, MA (US)

(**) Term: **14 Years**

(21) Appl. No.: **29/135,636**

(22) Filed: **Jan. 17, 2001**

(51) **LOC (7) Cl.** **07-02**

(52) **U.S. Cl.** **D7/360**

(58) **Field of Search** D7/323, 354-360;
99/324, 325, 339, 340, 341, 403

(56) **References Cited**

U.S. PATENT DOCUMENTS

- D. 152,042 * 12/1948 Sundberg et al. D7/360
- D. 366,592 * 1/1996 Cesaroni et al. D7/360
- D. 420,246 * 2/2000 Alonge et al. D7/360
- D. 425,360 * 5/2000 Dobson et al. D7/360
- D. 427,480 * 7/2000 Brady D7/354

D. 429,596 * 8/2000 Hlava et al. D7/360

* cited by examiner

Primary Examiner—Caron D. Veynar

(74) *Attorney, Agent, or Firm*—John E. Toupal; Francis E. Marino

(57) **CLAIM**

The ornamental design for a food cooking appliance, as shown and described.

DESCRIPTION

FIG. 1 is a front right perspective view of a food cooking appliance;

FIG. 2 is a front elevational view thereof;

FIG. 3 is a top plan view thereof;

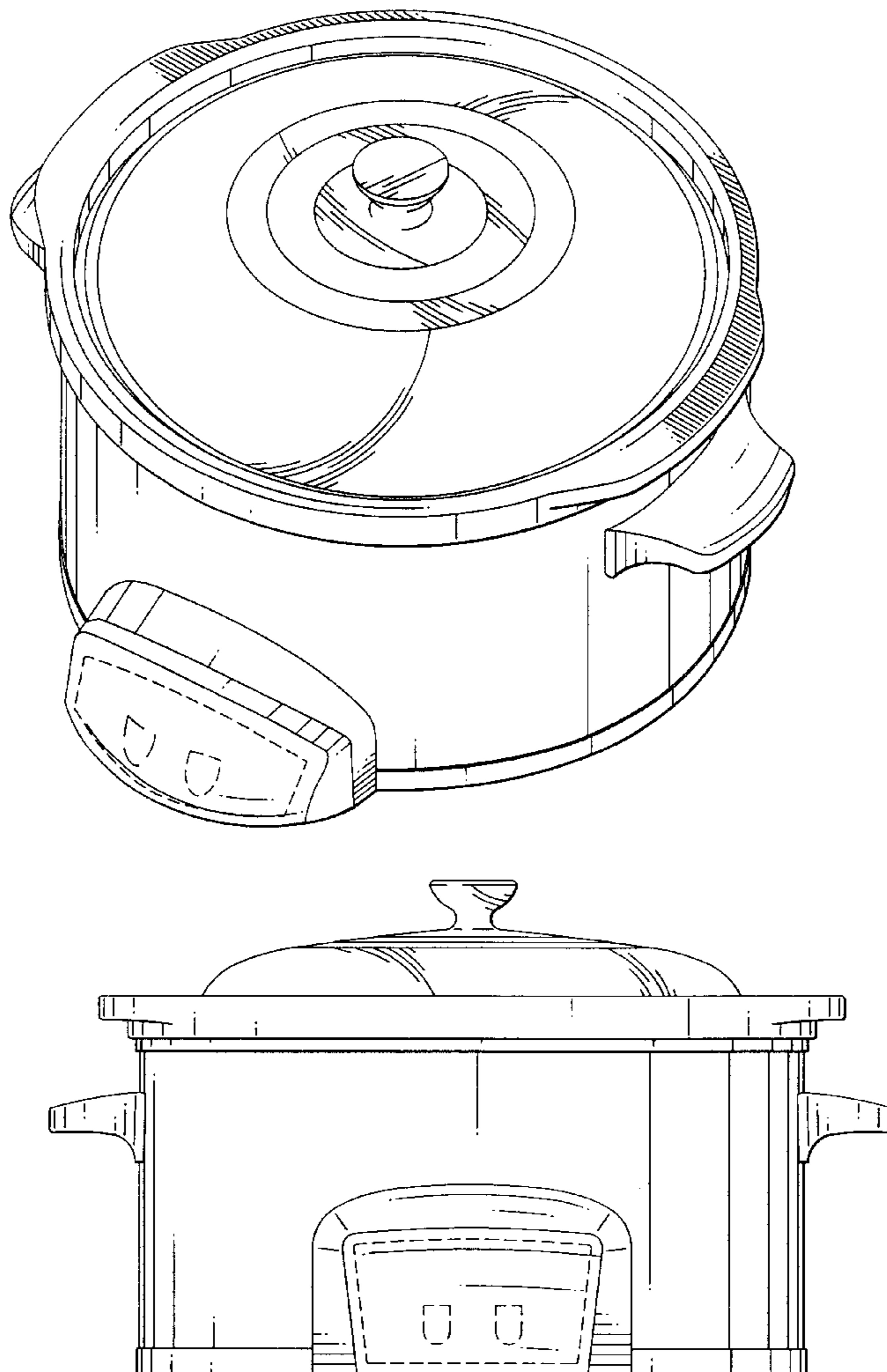
FIG. 4 is a right side elevational view thereof;

FIG. 5 is a left side elevational view thereof; and,

FIG. 6 is a rear elevational view thereof.

The broken lines shown on the control panel in FIGS. 1-3 are for illustrative purposes only and form no part of the claimed design.

1 Claim, 5 Drawing Sheets



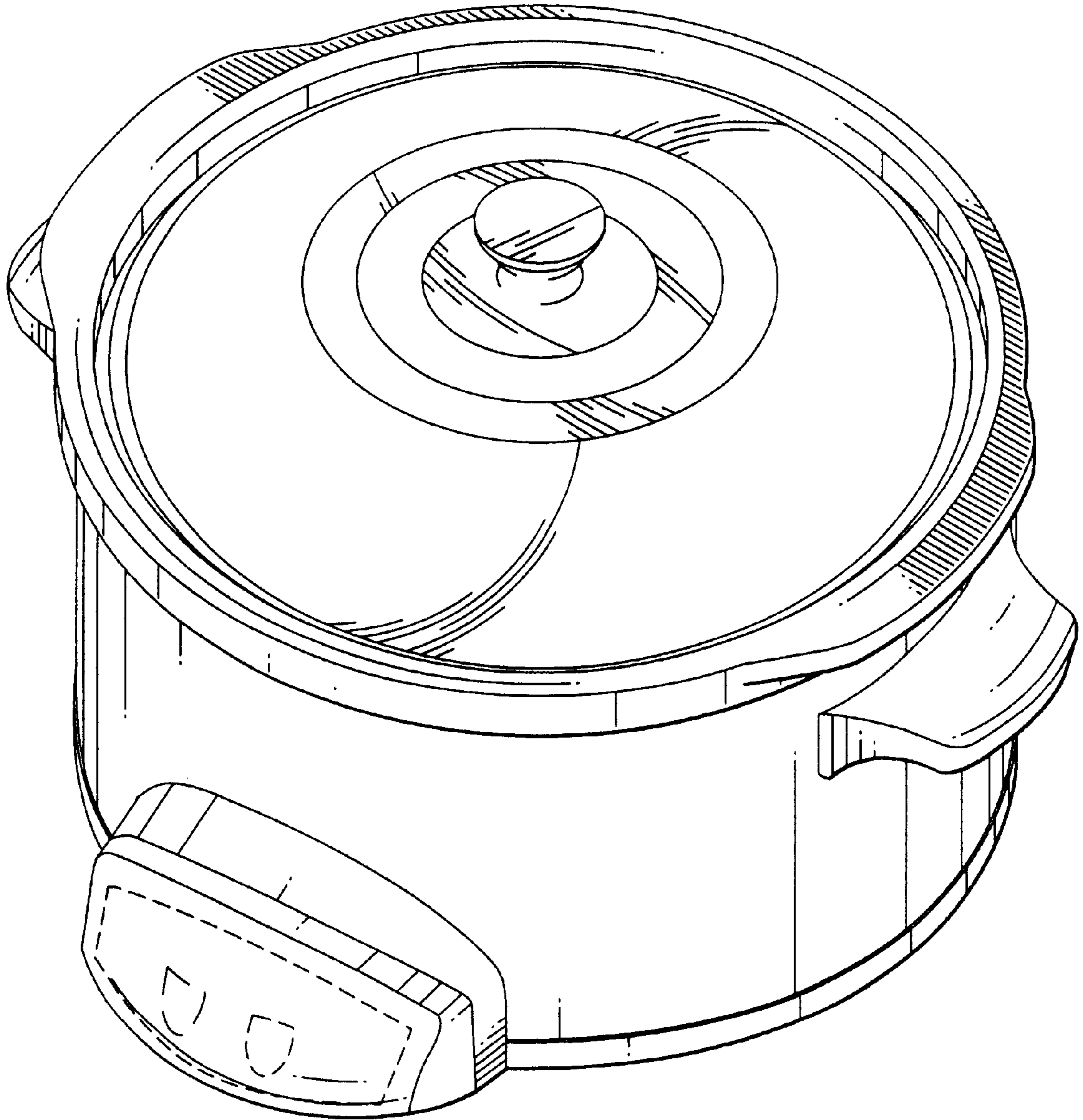


FIGURE 1

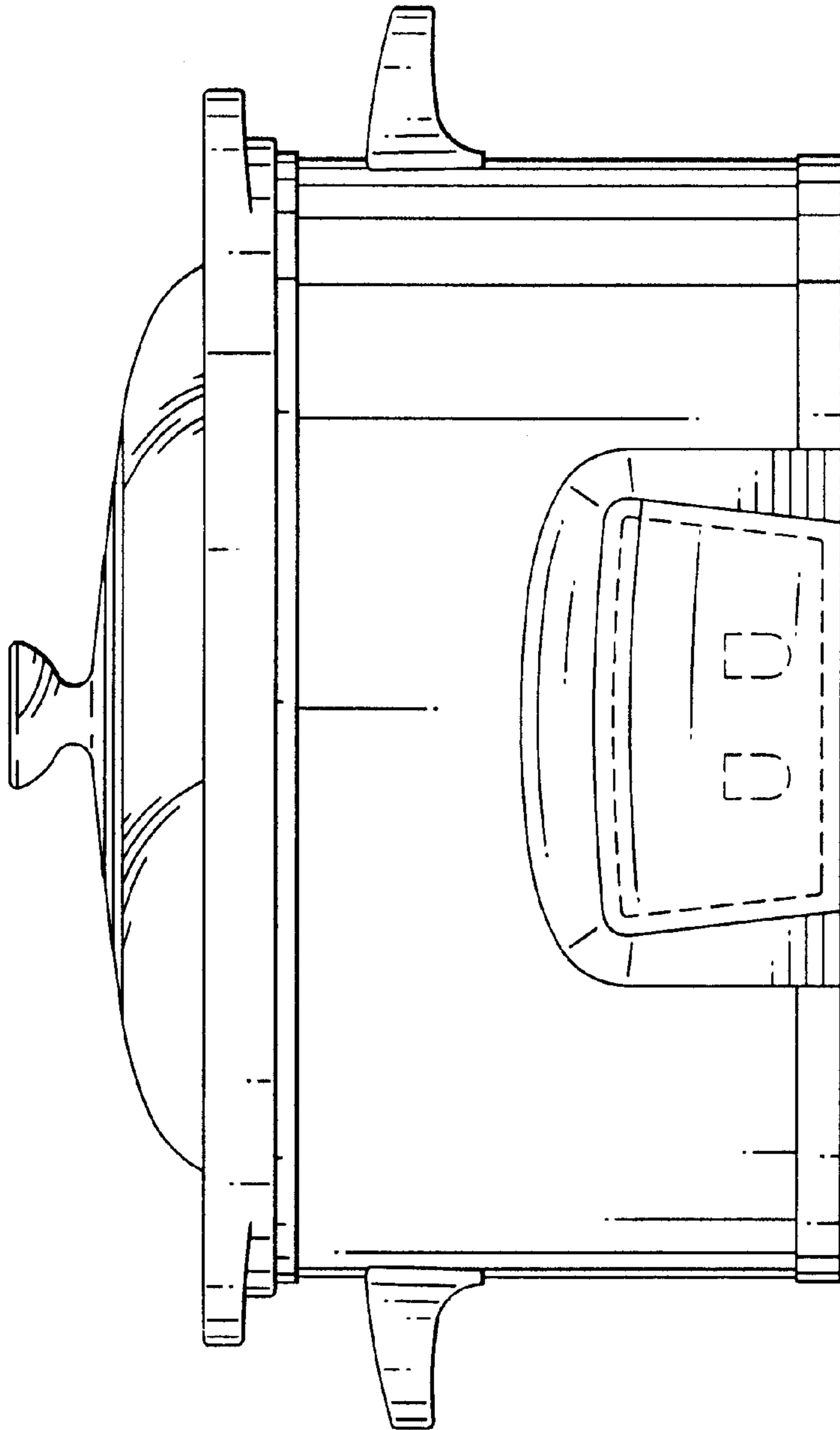


FIGURE 2

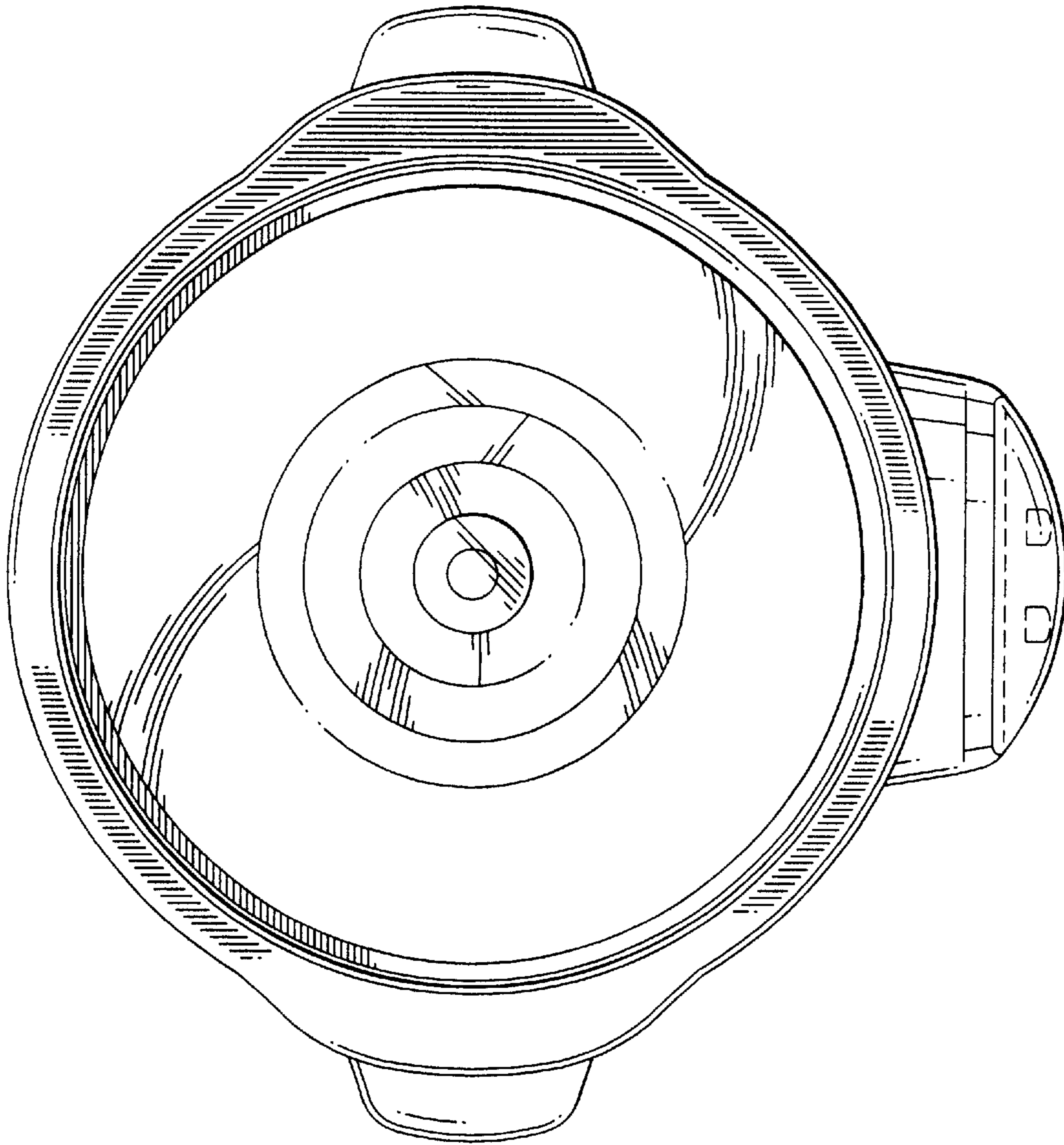


FIGURE 3

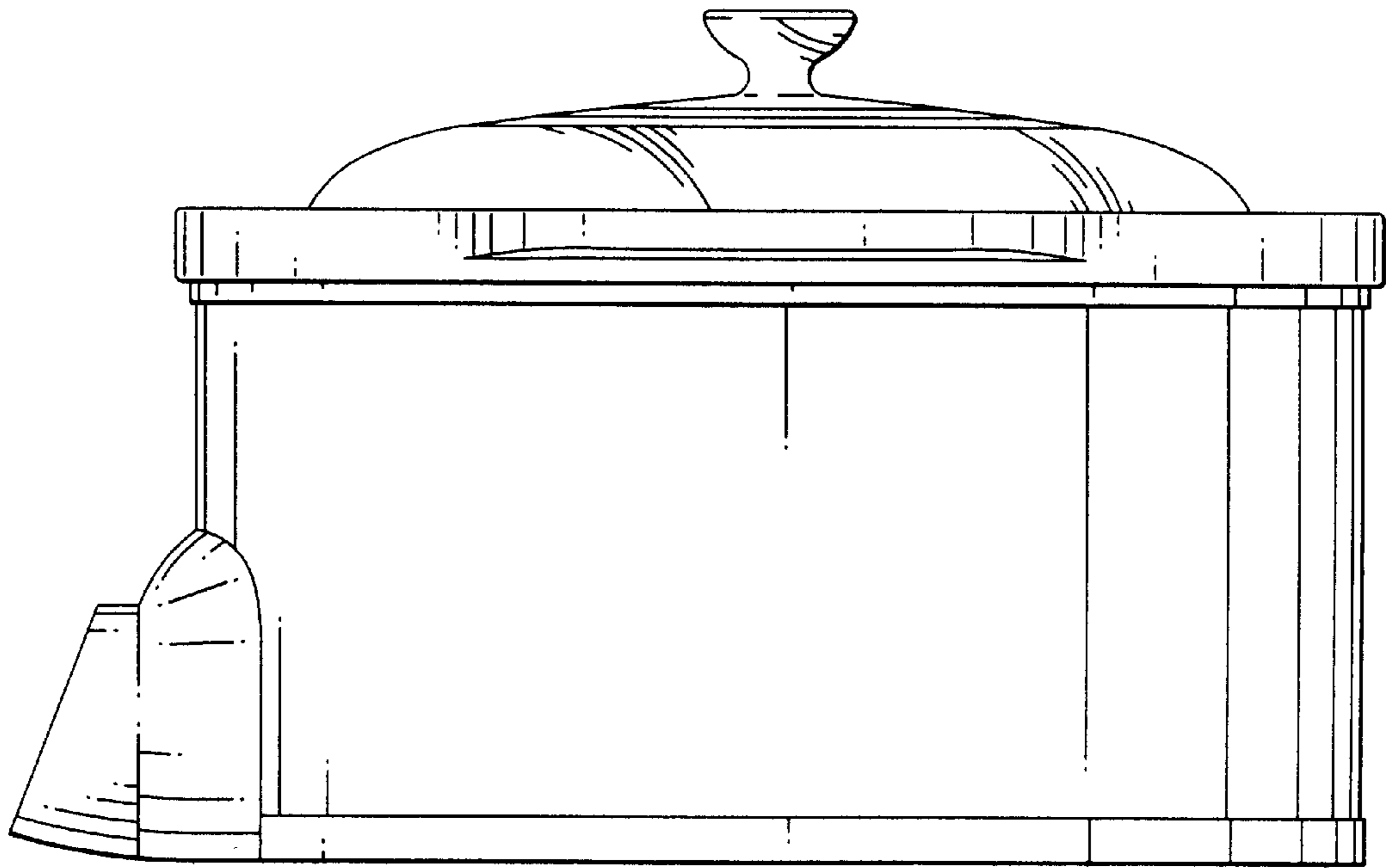


FIGURE 4

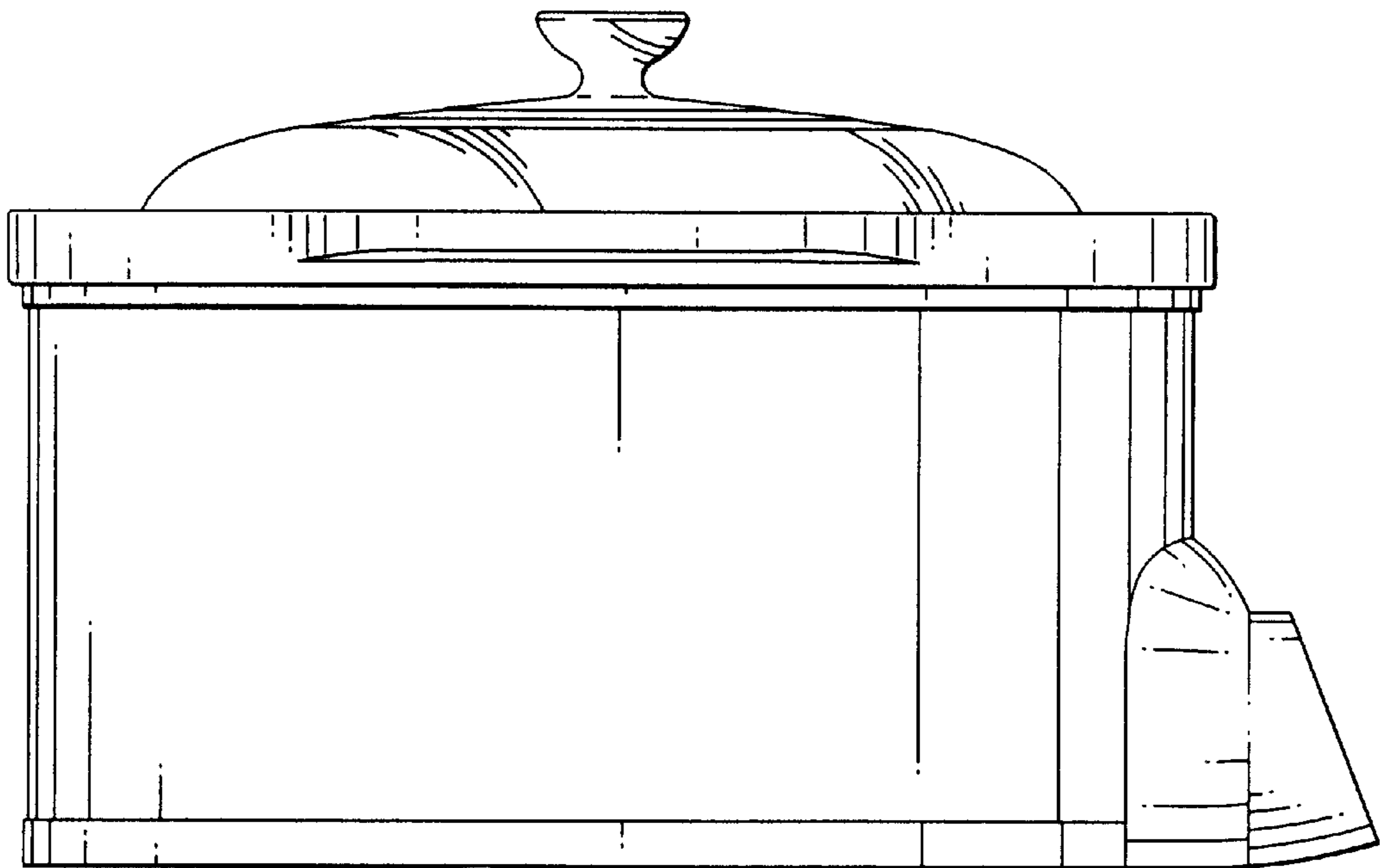


FIGURE 5

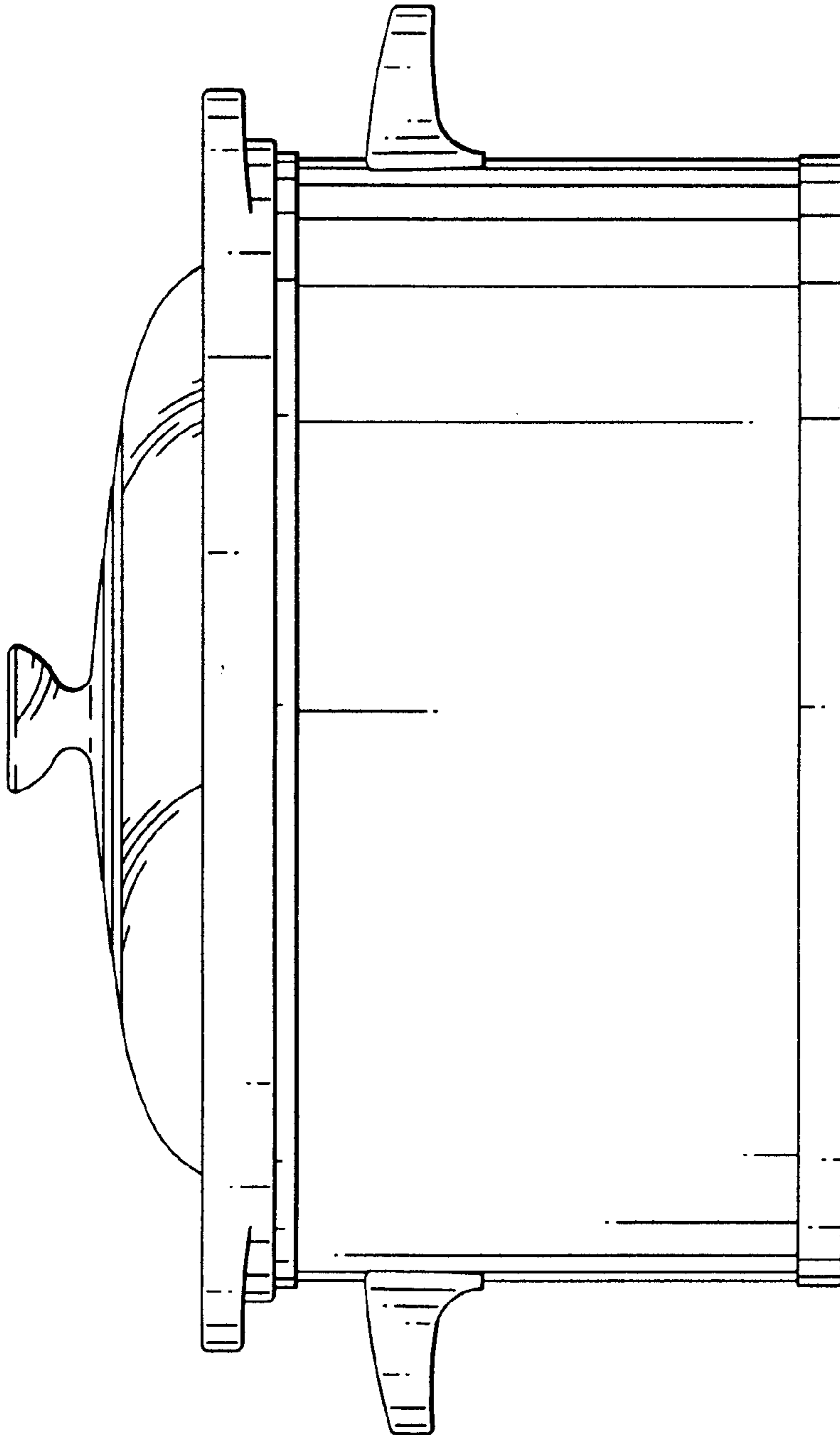


FIGURE 6