



US00D450525B1

(12) **United States Design Patent**
Giebel et al.

(10) **Patent No.:** **US D450,525 S**

(45) **Date of Patent:** **** Nov. 20, 2001**

(54) **GRILL**

(75) Inventors: **Michael Giebel**; **Ernest Chavana**, both of Joplin, MO (US); **Augusto Picozza**, Boca Raton; **Danene Jaffe**, Weston, both of FL (US); **Mark Bates**, Westwood, MA (US)

(73) Assignee: **Sunbeam Products, Inc.**, Boca Raton, FL (US)

(**) Term: **14 Years**

(21) Appl. No.: **29/122,058**

(22) Filed: **Apr. 18, 2000**

(51) **LOC (7) Cl.** **07-02**

(52) **U.S. Cl.** **D7/334**

(58) **Field of Search** D7/332-337, 402-404, D7/406; 126/31 R, 40, 50, 9 R, 25 R, 25 A, 25 AA, 29-30, 37 R, 38, 332

(56) **References Cited**

U.S. PATENT DOCUMENTS

D. 322,909	*	1/1992	Parent et al.	D7/334
D. 327,805	*	7/1992	Parent et al.	D7/334
D. 351,308	*	10/1994	Pai	D7/334
D. 424,363	*	5/2000	Smith	D7/334
D. 426,419	*	6/2000	Kuo	D7/334
D. 428,760	*	8/2000	Huang	D7/334
D. 437,177	*	2/2001	Giebel et al.	D7/334

* cited by examiner

Primary Examiner—Ruth McInroy

(74) *Attorney, Agent, or Firm*—Kramer Levin Naftalis & Frankel LLP.

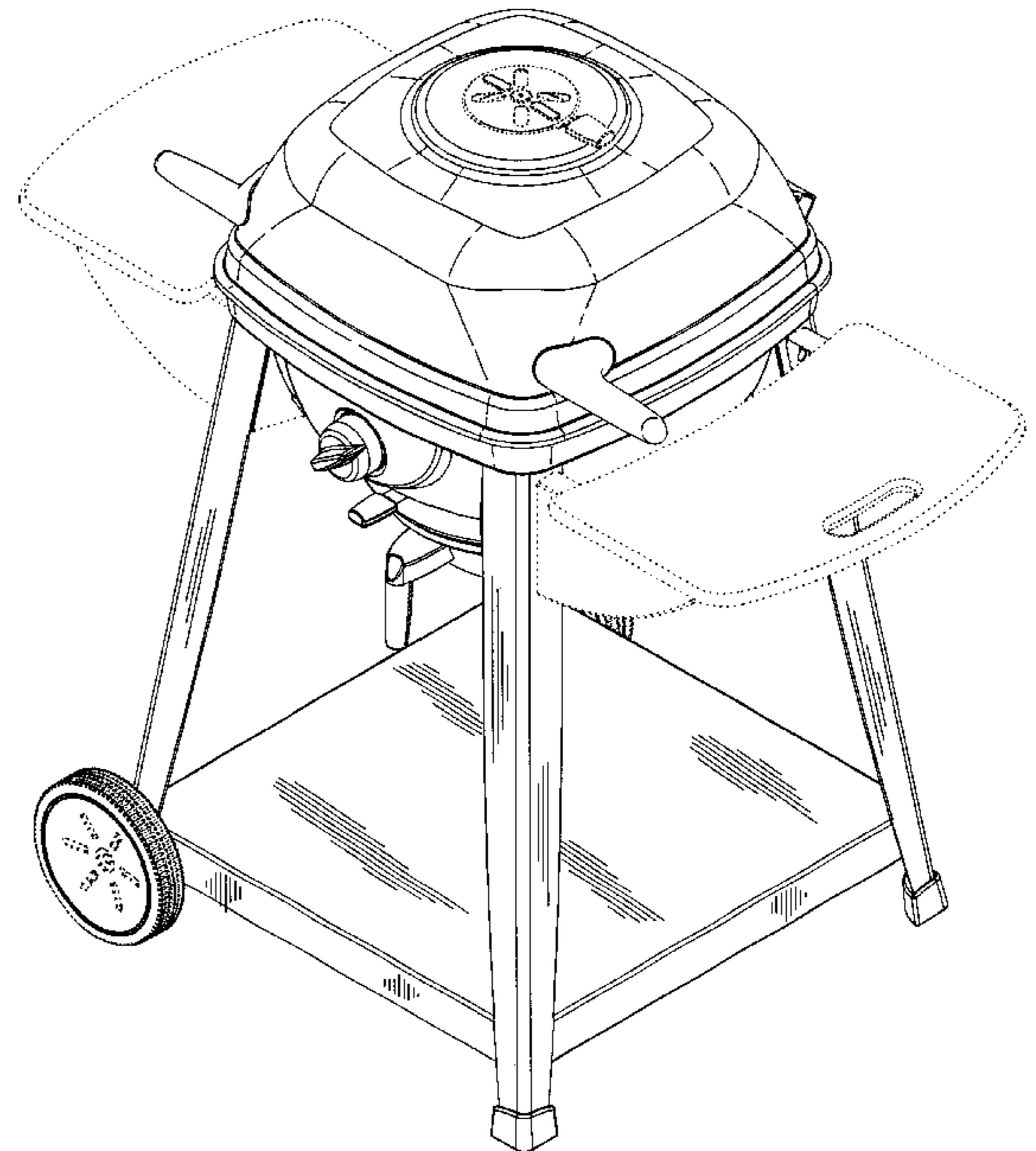
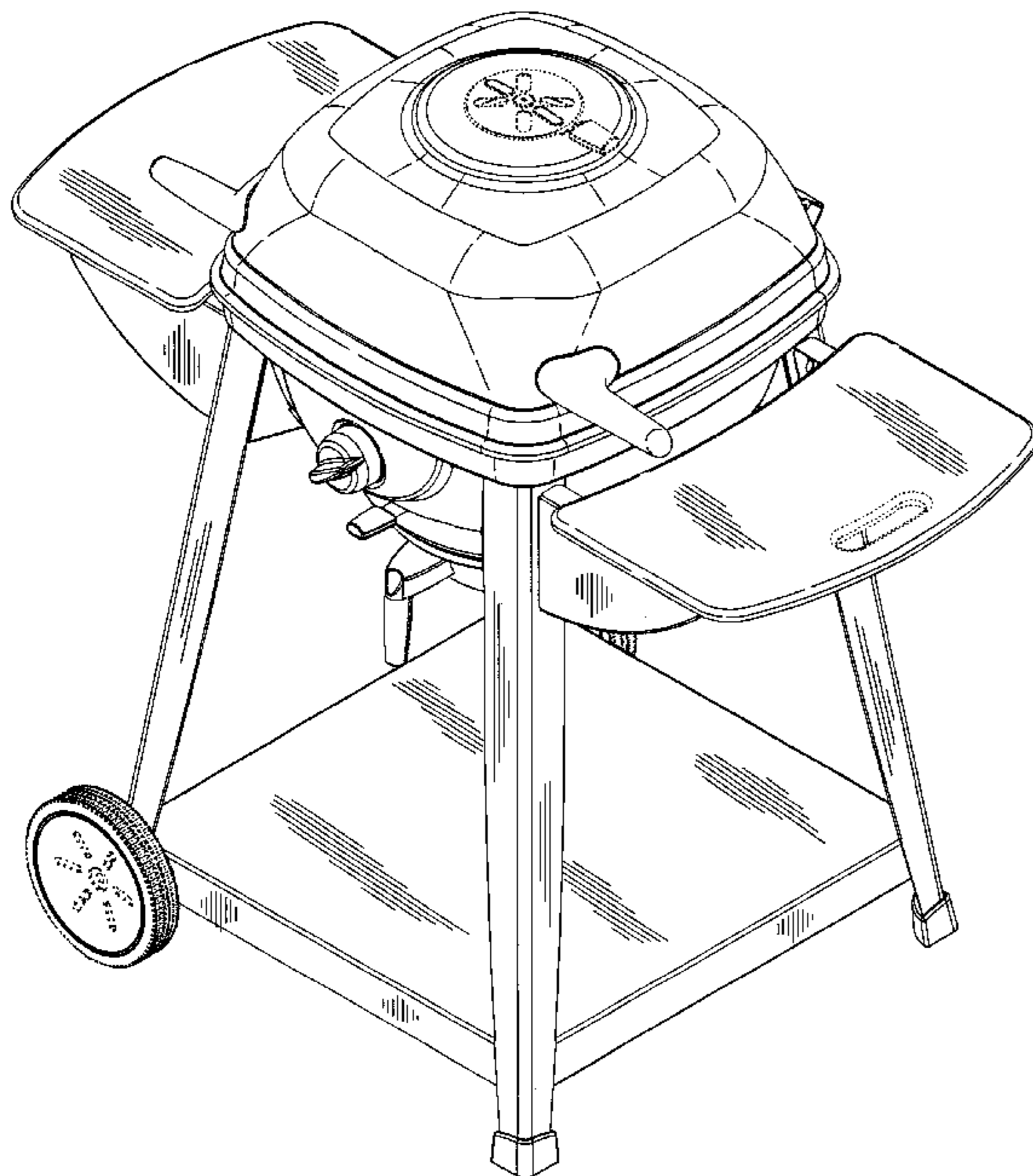
(57) **CLAIM**

The ornamental design for a grill, as shown and described.

DESCRIPTION

FIG. 1 is a front perspective view of a first embodiment showing my new design;
 FIG. 2 is a front elevation view of a first embodiment thereof;
 FIG. 3 is rear elevation view of a first embodiment thereof;
 FIG. 4 is a right side elevation view of a first embodiment thereof;
 FIG. 5 is a left side elevation view of a first embodiment thereof;
 FIG. 6 is a top plan view of a first embodiment thereof;
 FIG. 7 is a bottom plan view of a first embodiment thereof;
 FIG. 8 is a front perspective view of a second embodiment thereof;
 FIG. 9 is a front elevation view of a second embodiment thereof;
 FIG. 10 is rear elevation view of a second embodiment thereof;
 FIG. 11 is a right side elevation view of a second embodiment thereof;
 FIG. 12 is a left side elevation view of a second embodiment thereof;
 FIG. 13 is a top plan view of a second embodiment thereof; and,
 FIG. 14 is a bottom plan view of a second embodiment thereof.

1 Claim, 14 Drawing Sheets



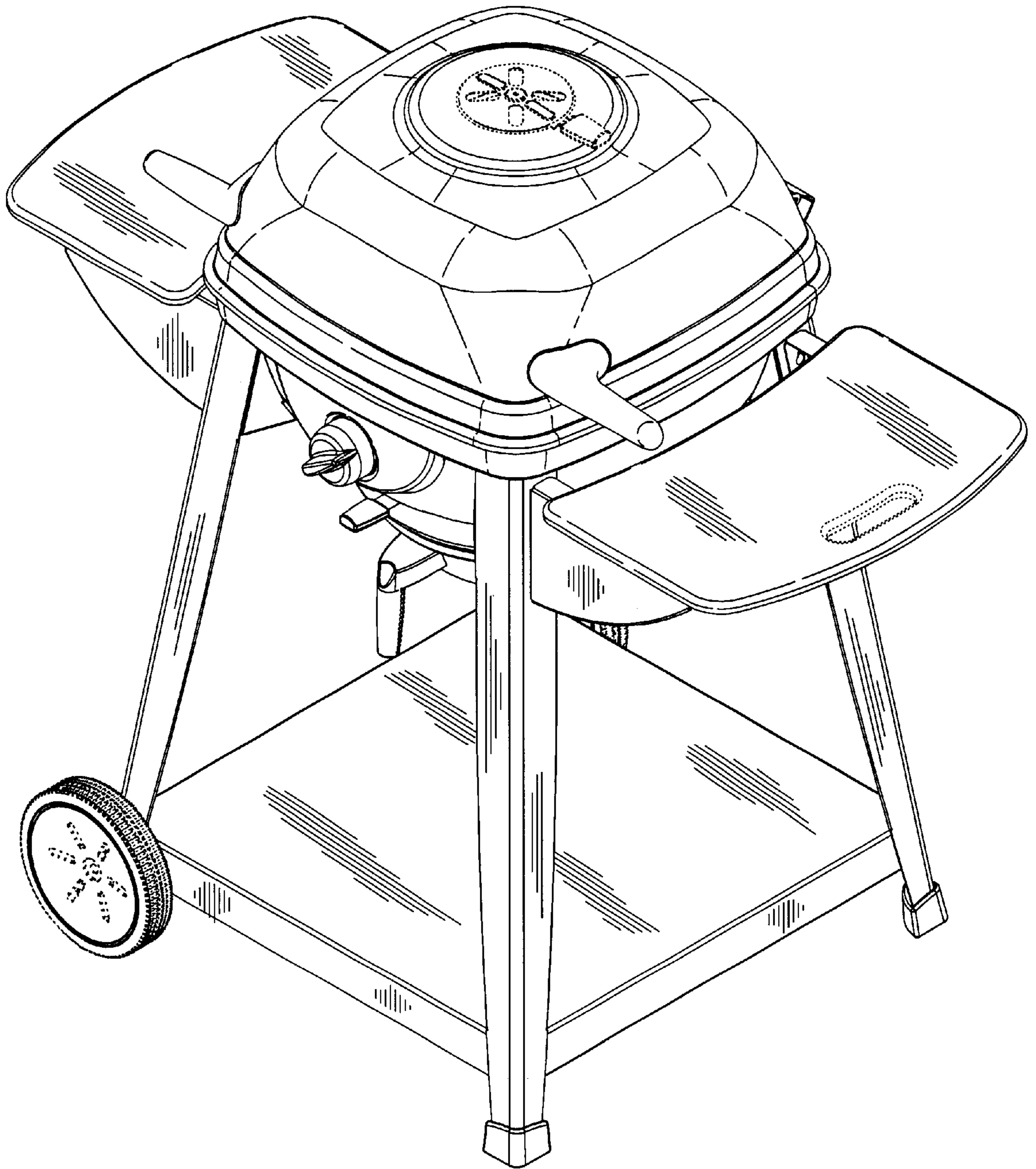


FIG. 1

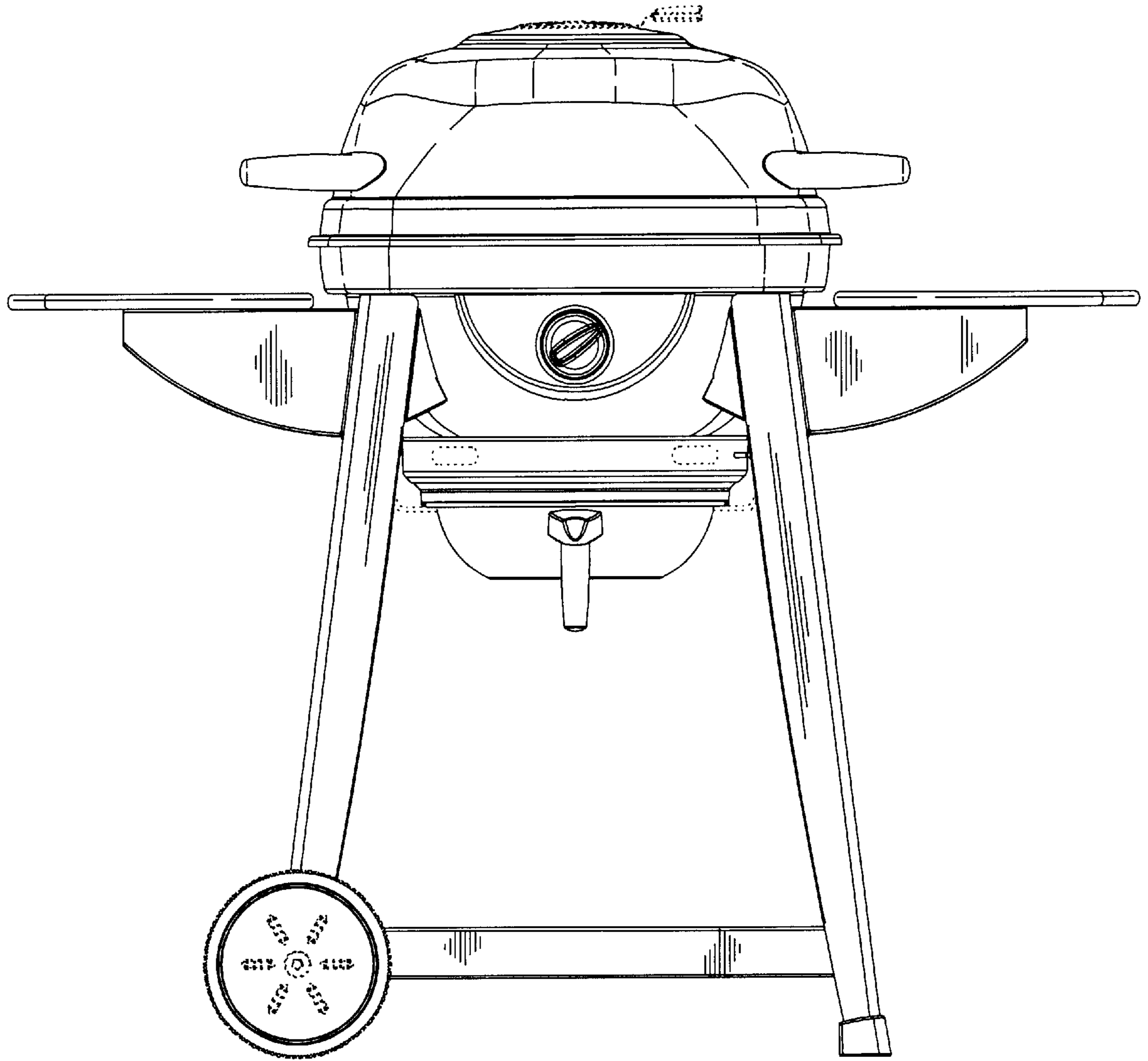


FIG. 2

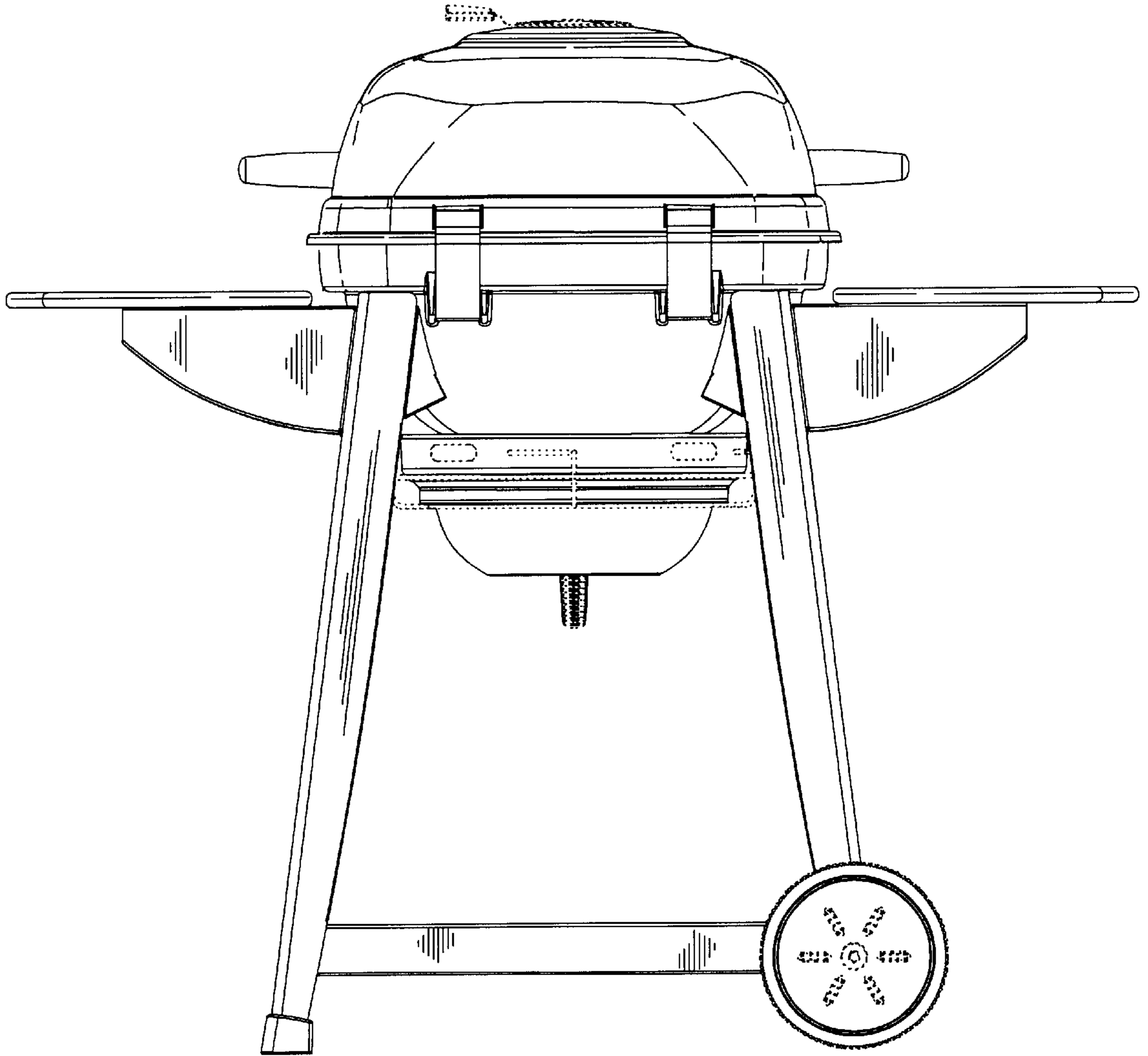


FIG. 3

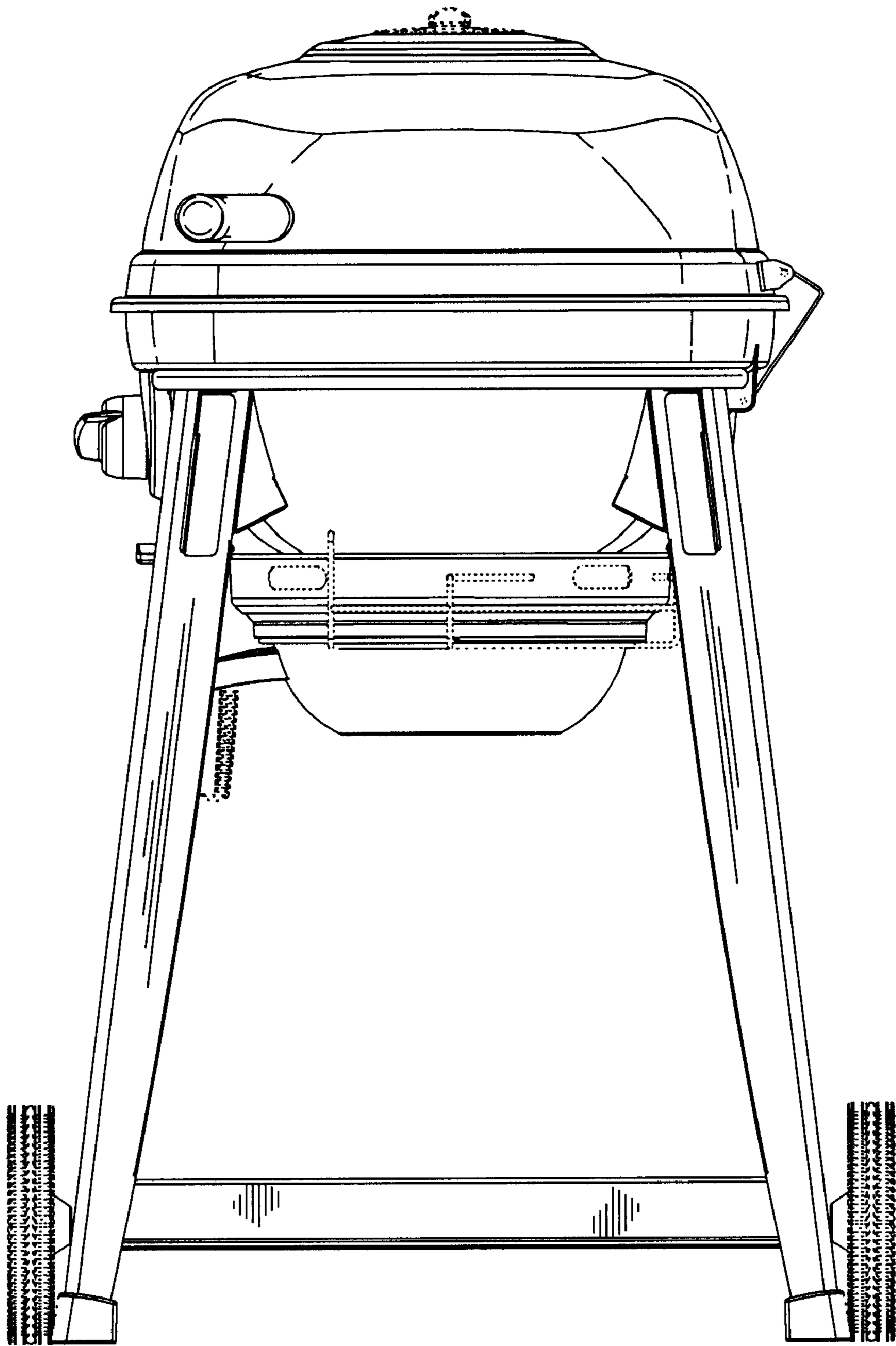


FIG. 4

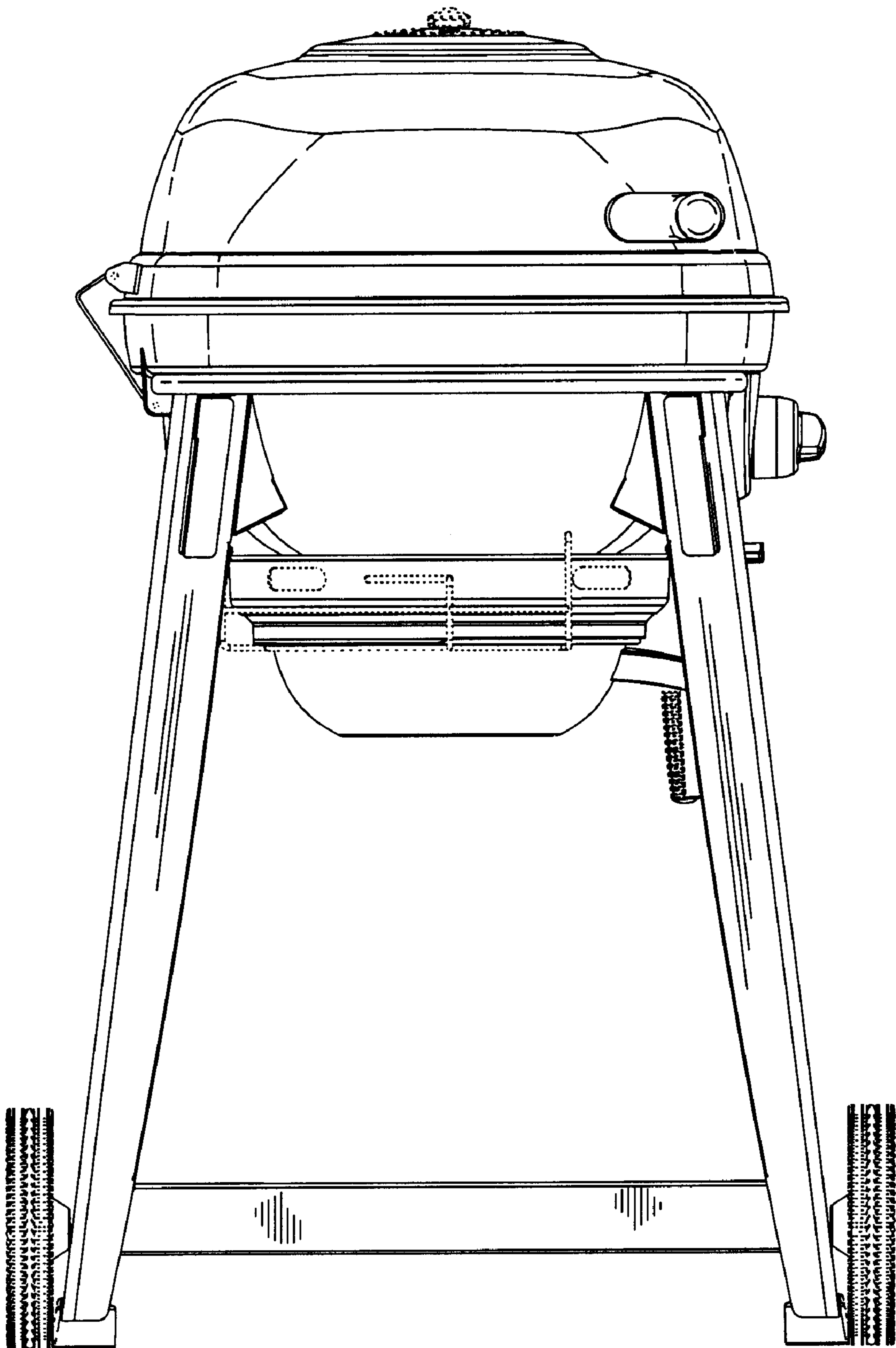


FIG. 5

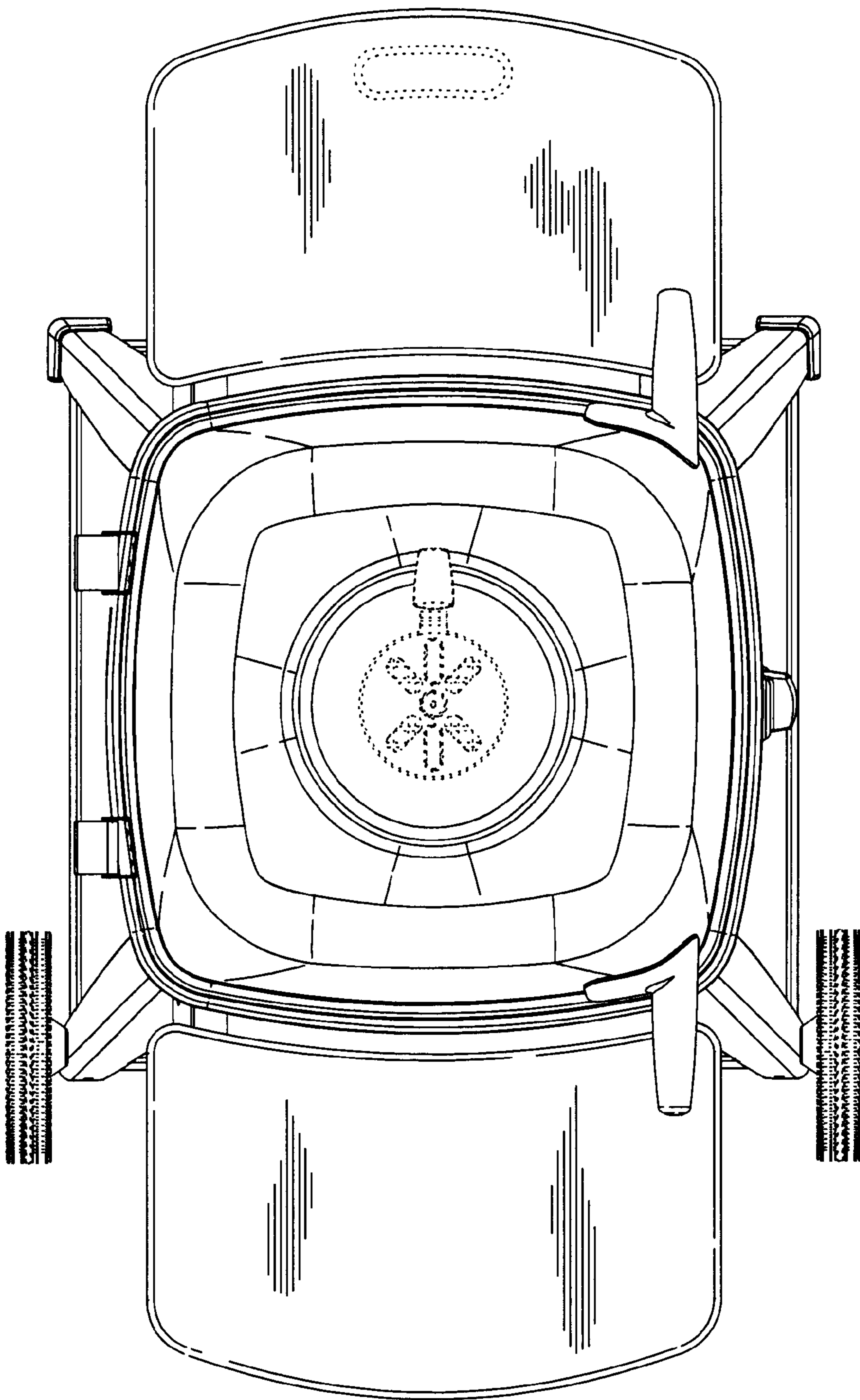


FIG. 6

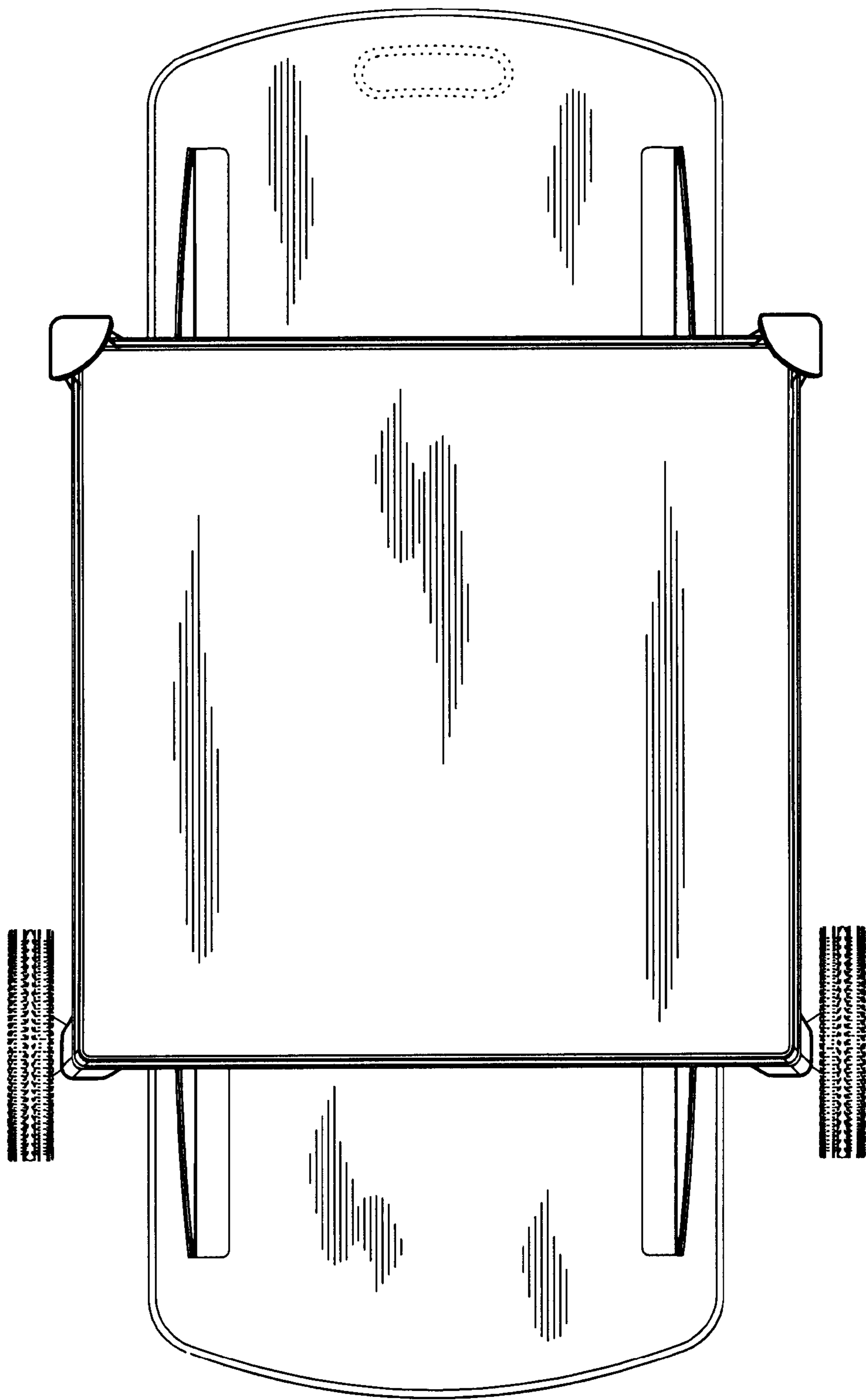


FIG. 7

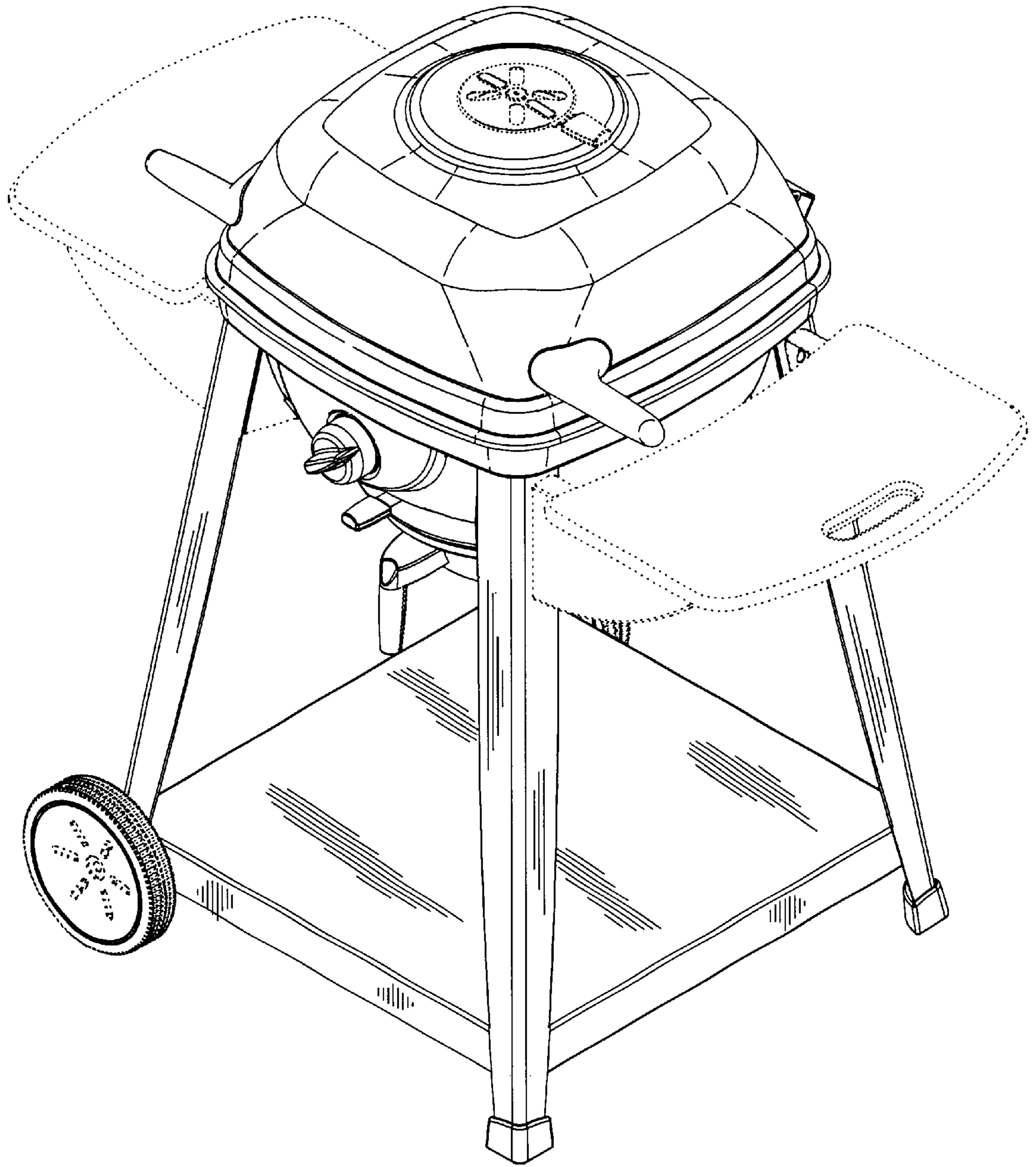


FIG. 8

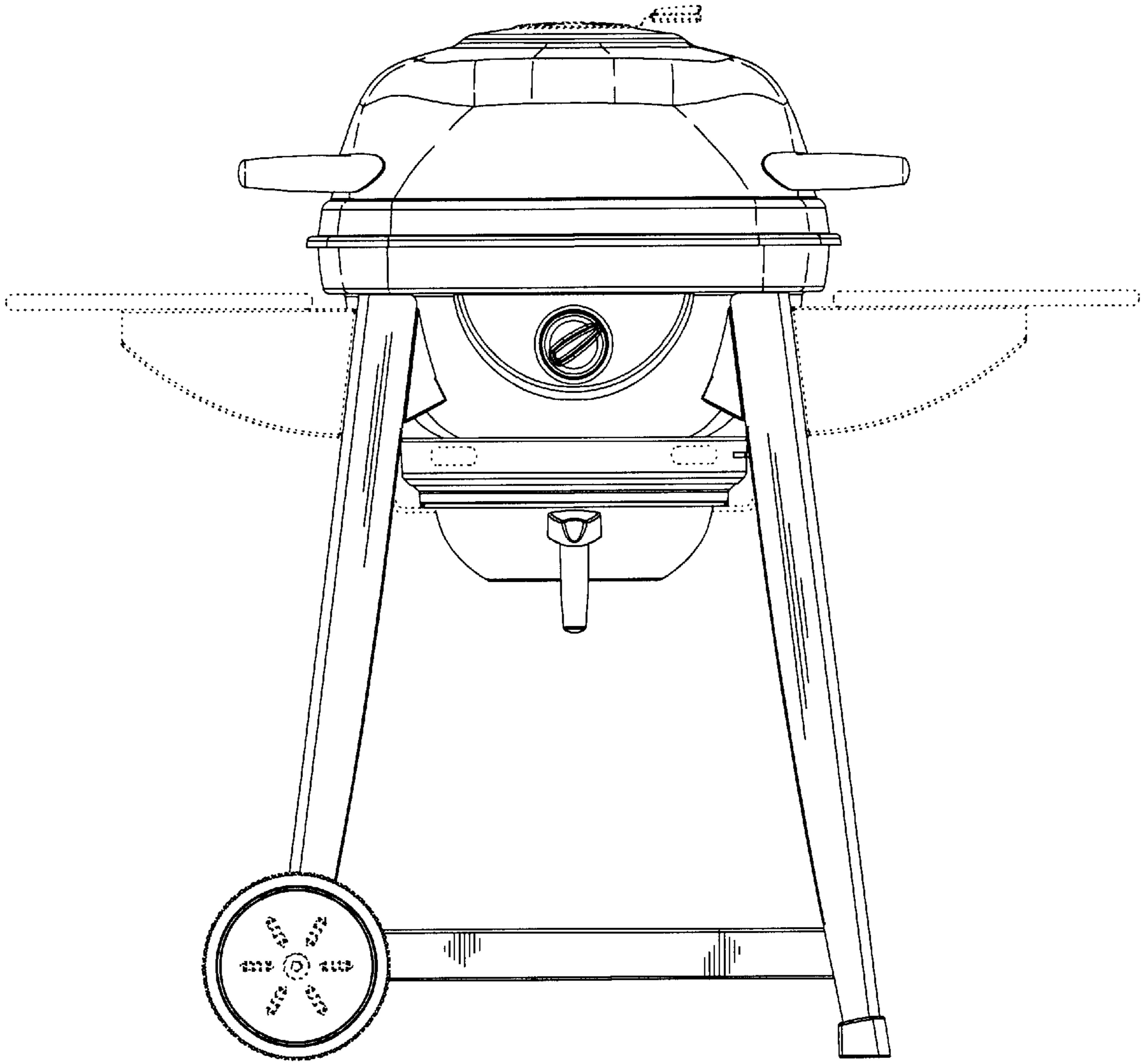


FIG. 9

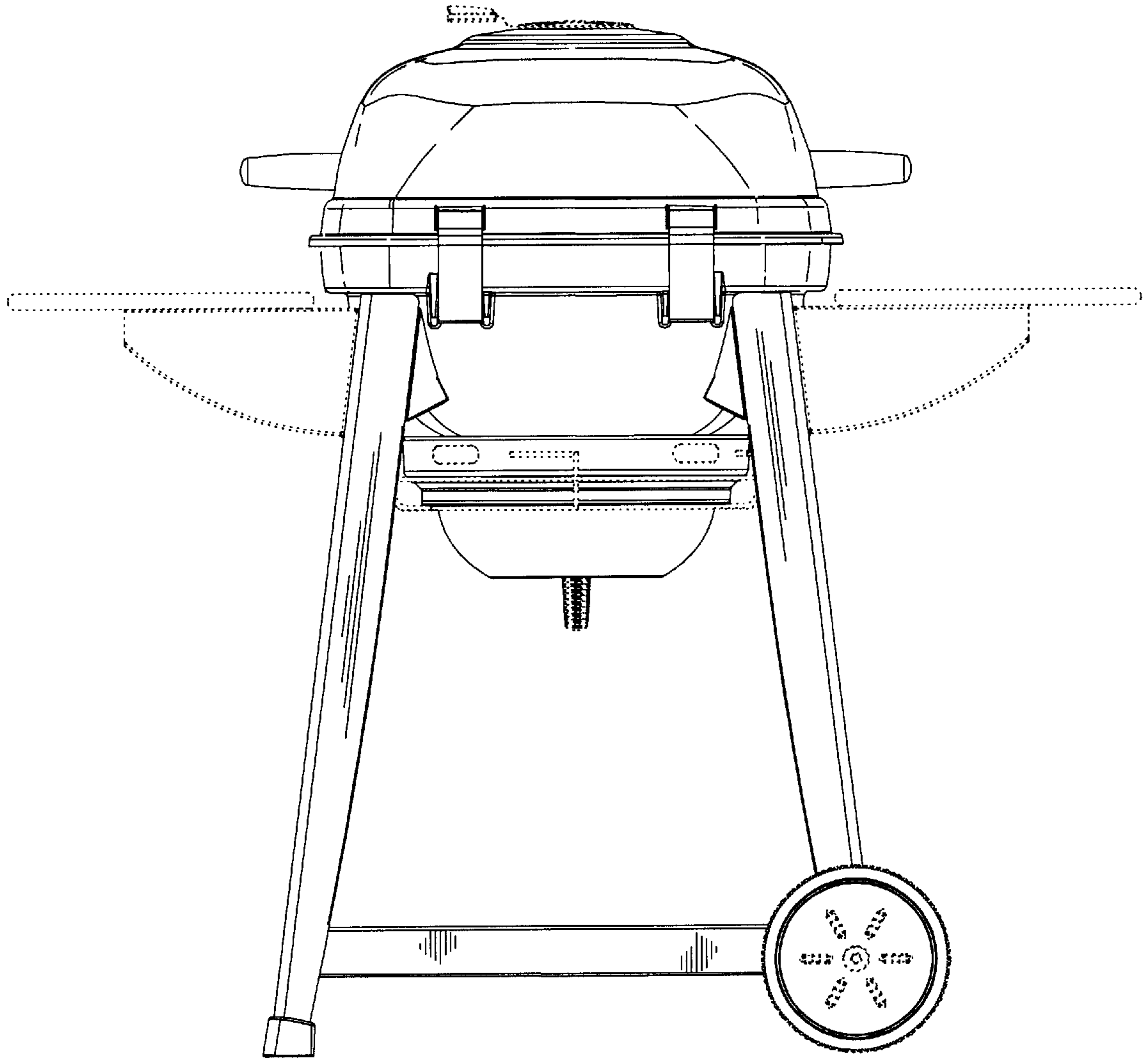


FIG. 10

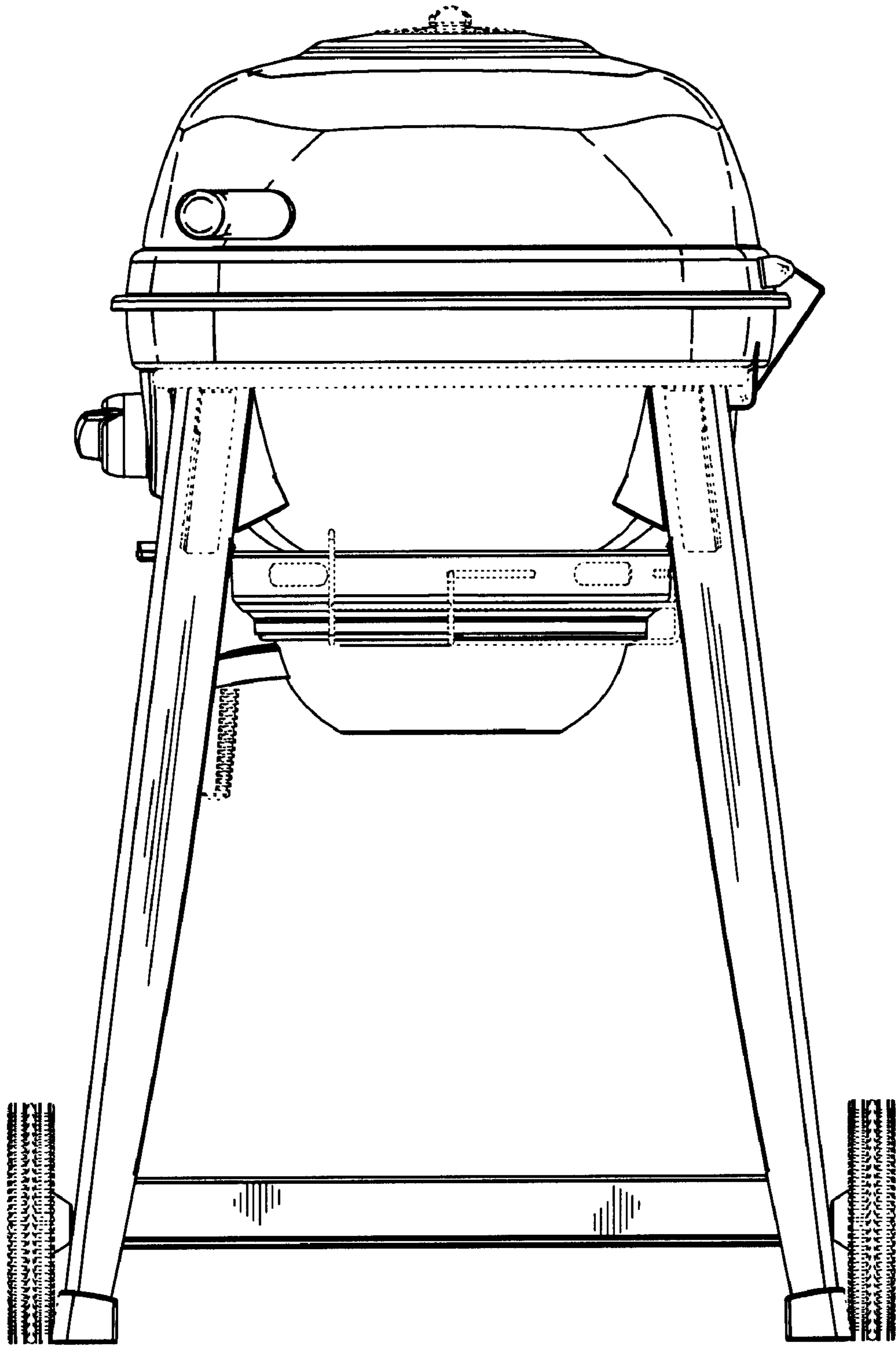


FIG. 11

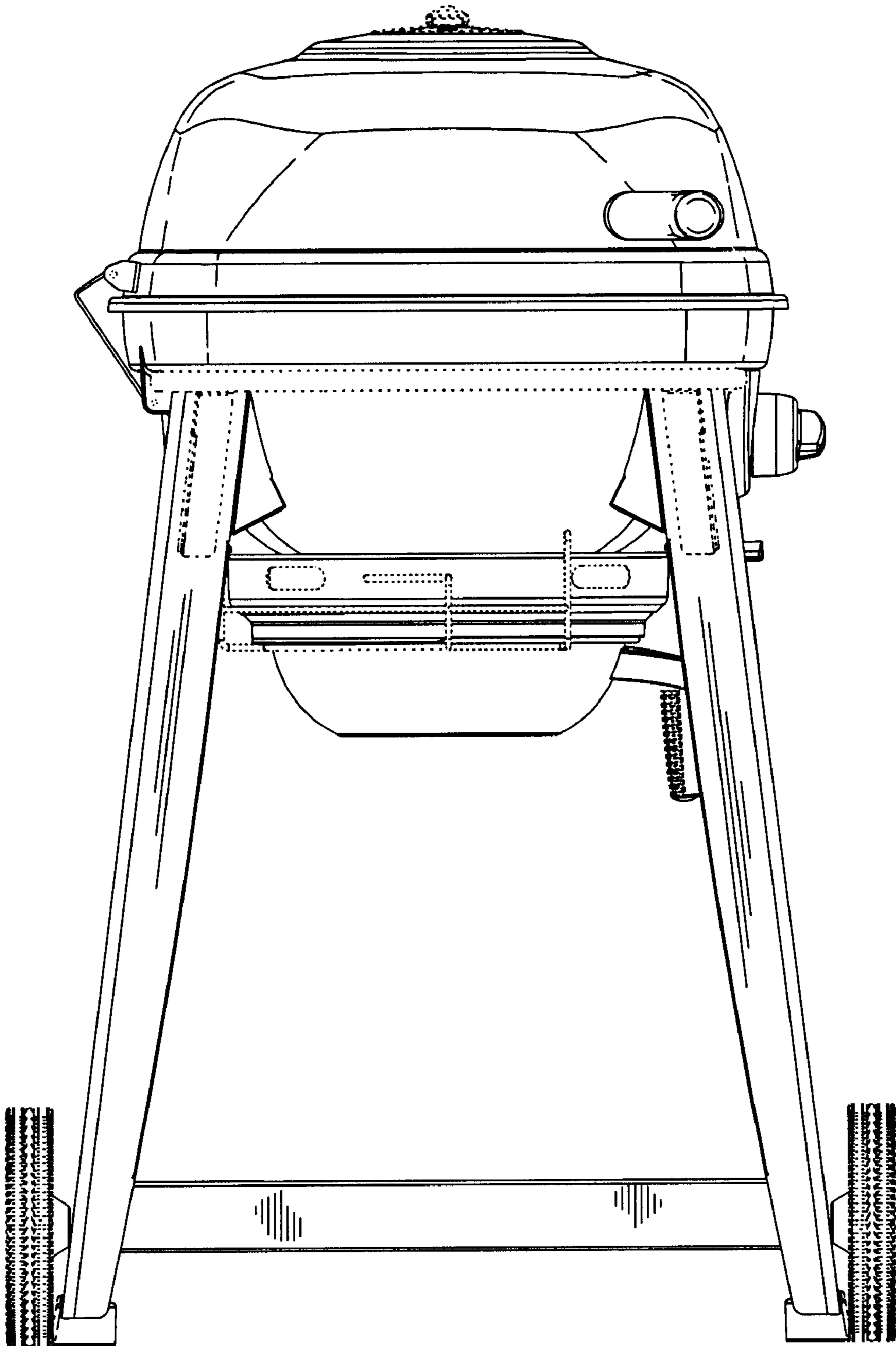


FIG. 12

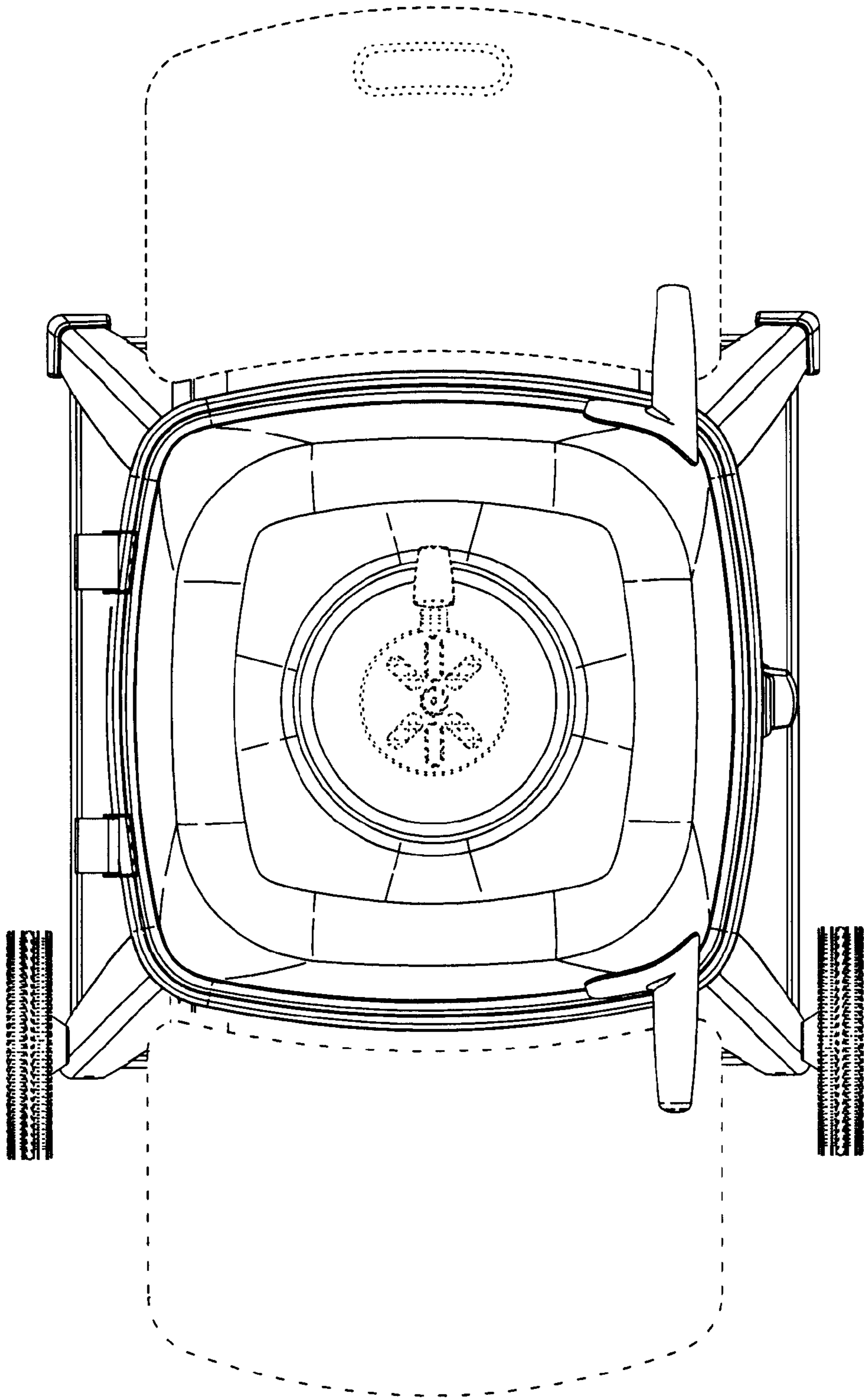


FIG. 13

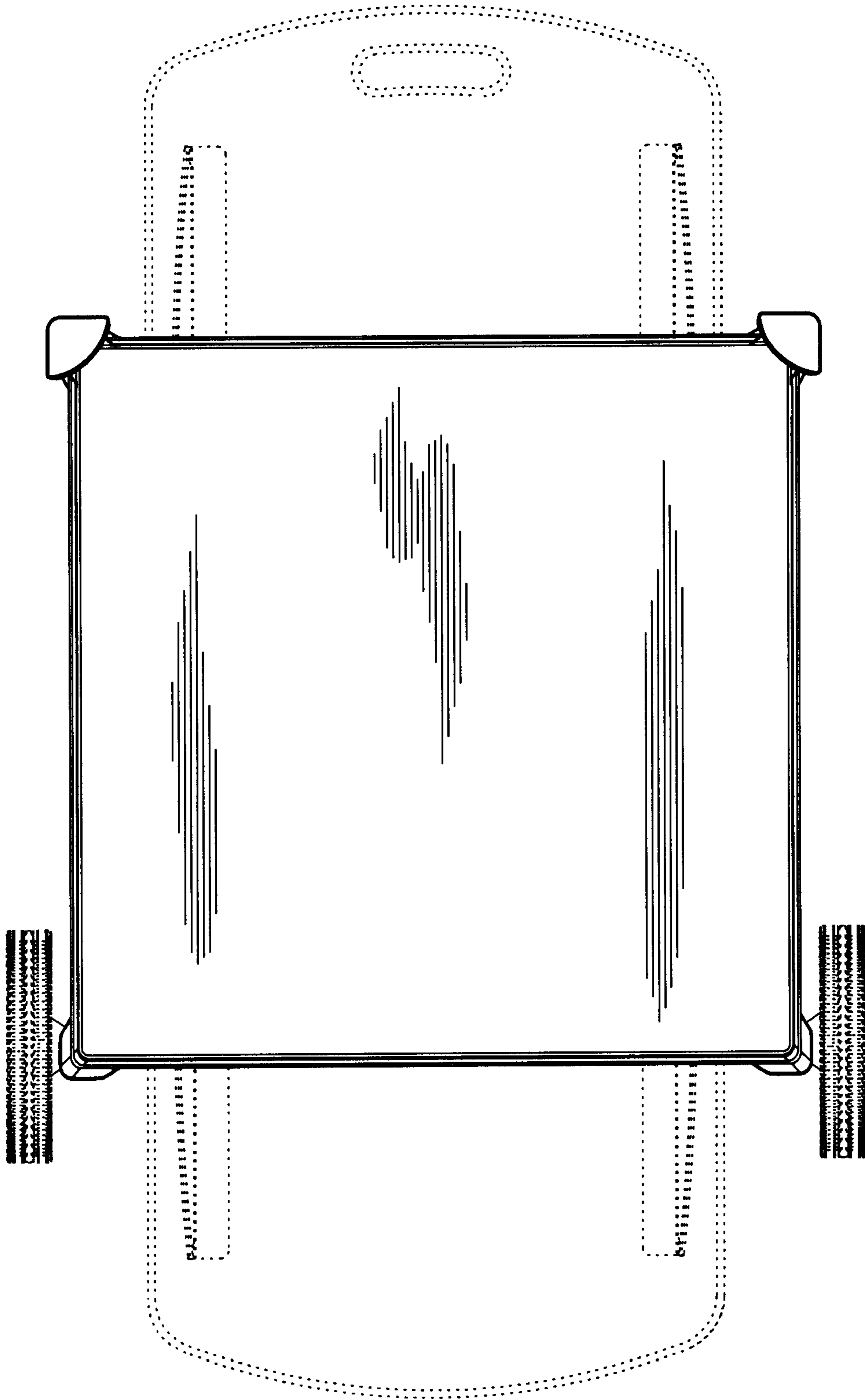


FIG. 14