



US00D450524B1

(12) **United States Design Patent**  
**Measom**

(10) **Patent No.:** **US D450,524 S**

(45) **Date of Patent:** **\*\* Nov. 20, 2001**

(54) **TWO BURNER STOVE WITH FOLDING SHELF LID**

(75) Inventor: **S. Ty Measom**, Logan, UT (US)

(73) Assignee: **Dutro Company**, Emeryville, CA (US)

(\*\*) Term: **14 Years**

(21) Appl. No.: **29/120,048**

(22) Filed: **Mar. 13, 2000**

(51) **LOC (7) Cl.** ..... **07-02**

(52) **U.S. Cl.** ..... **D7/332**

(58) **Field of Search** ..... D7/332-337, 402-404,  
D7/406; 126/31 R, 40, 50, 9 R, 25 R, 25 A,  
25 AA, 29-30, 37 R, 38, 332

(56) **References Cited**

**U.S. PATENT DOCUMENTS**

- D. 285,522 \* 9/1986 Basini ..... D7/334
- D. 295,818 \* 5/1988 Chan ..... D7/332
- D. 328,547 8/1992 Dutro et al. .
- D. 356,714 3/1995 Dutro et al. .
- D. 357,610 4/1995 Dutro et al. .
- D. 358,057 5/1995 Dutro et al. .
- D. 360,803 8/1995 Dutro et al. .
- D. 364,772 12/1995 Dutro et al. .
- D. 378,646 4/1997 Dutro et al. .
- D. 417,120 11/1999 Dutro et al. .

- D. 417,359 12/1999 Dutro et al. .
- 5,704,777 1/1998 Measom .
- 5,906,196 5/1999 Measom .
- 6,000,388 \* 12/1999 Address ..... 126/25 R

\* cited by examiner

*Primary Examiner*—Ruth McInroy

(74) *Attorney, Agent, or Firm*—Harris Zimmerman

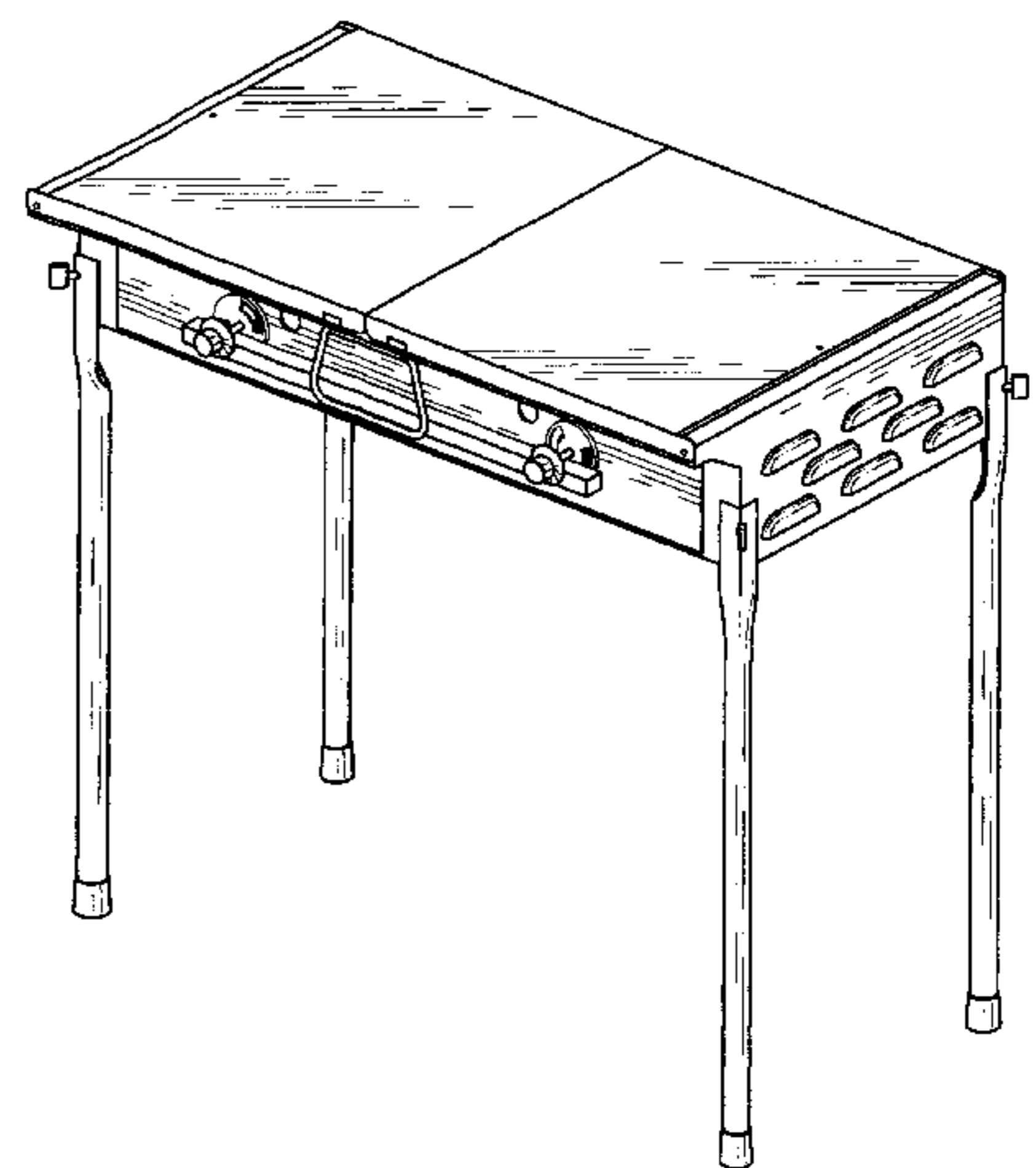
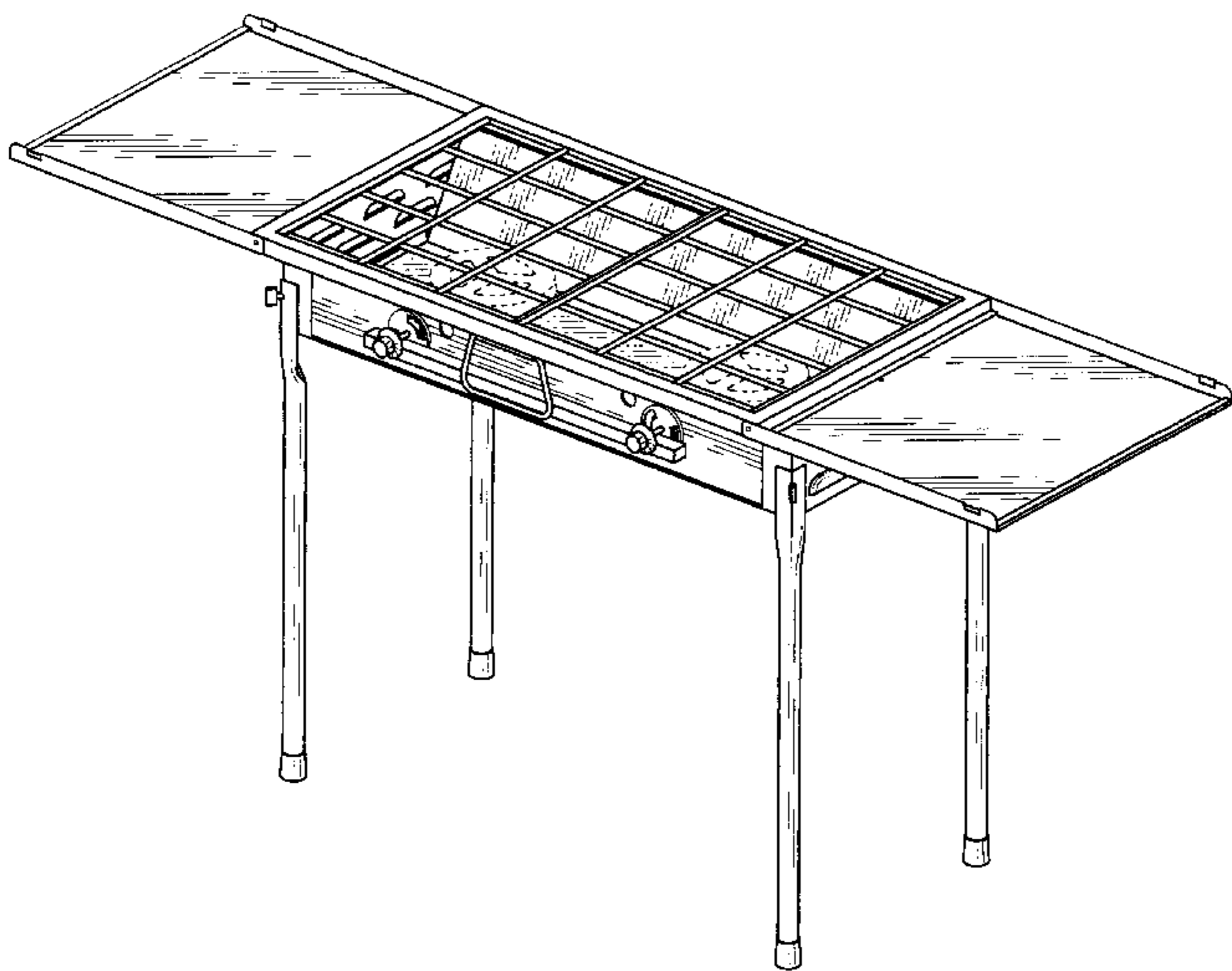
(57) **CLAIM**

The ornamental design for a two burner stove with folding shelf lid, as shown.

**DESCRIPTION**

FIG. 1 is a perspective view of a two burner stove with folding shelf lid with the lid in an open position;  
 FIG. 2 is a perspective view with the lid in a closed or folded position;  
 FIG. 3 is a front elevational view;  
 FIG. 4 is a left side view, the right side view being a mirror image thereof;  
 FIG. 5 is a top plan view;  
 FIG. 6 is a rear elevational view; and,  
 FIG. 7 is a bottom plan view.  
 The details shown in broken lines in FIGS. 1 and 5 are for illustrative purposes only and form no part of the claimed design.

**1 Claim, 3 Drawing Sheets**



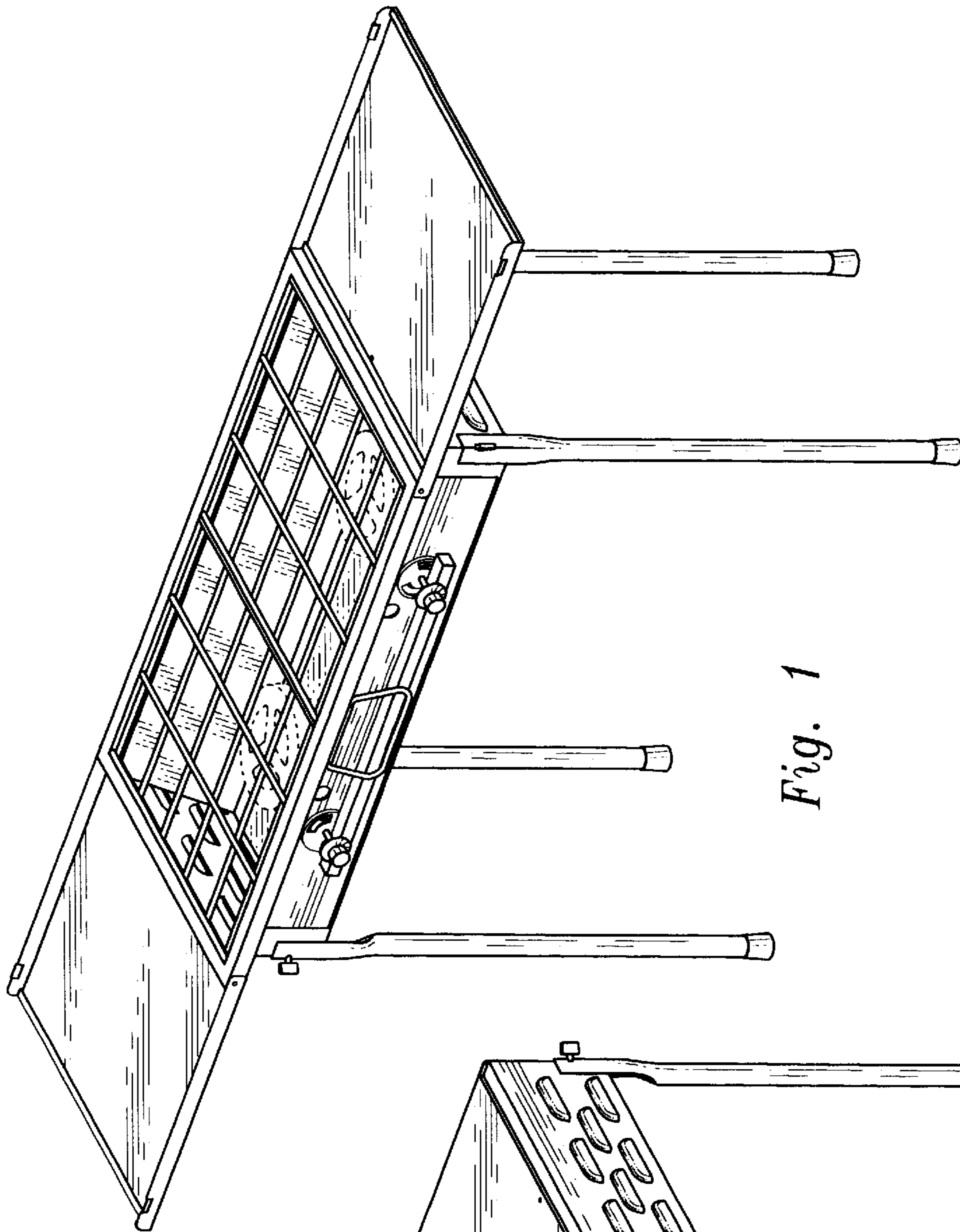


Fig. 1

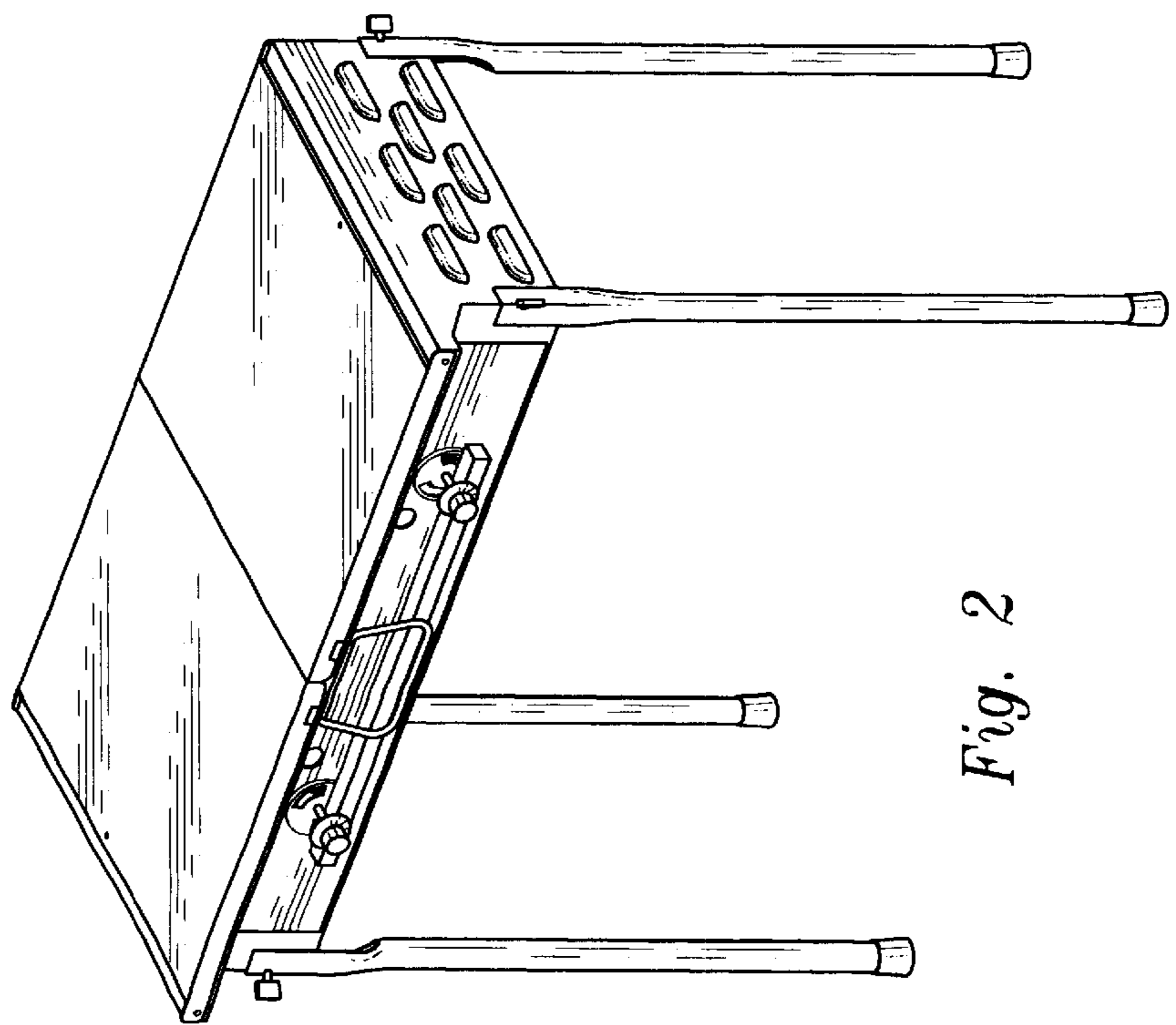


Fig. 2

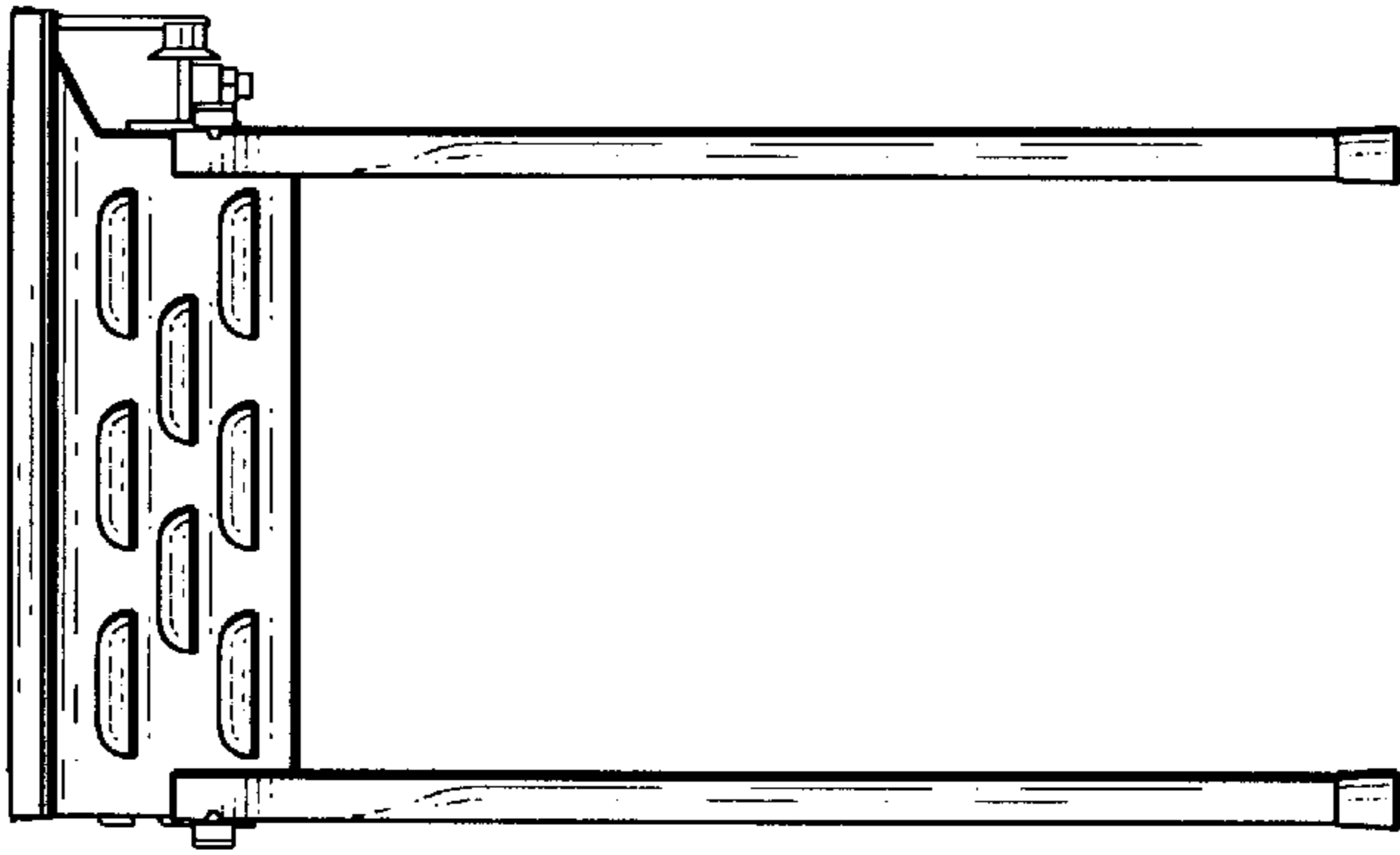


Fig. 4

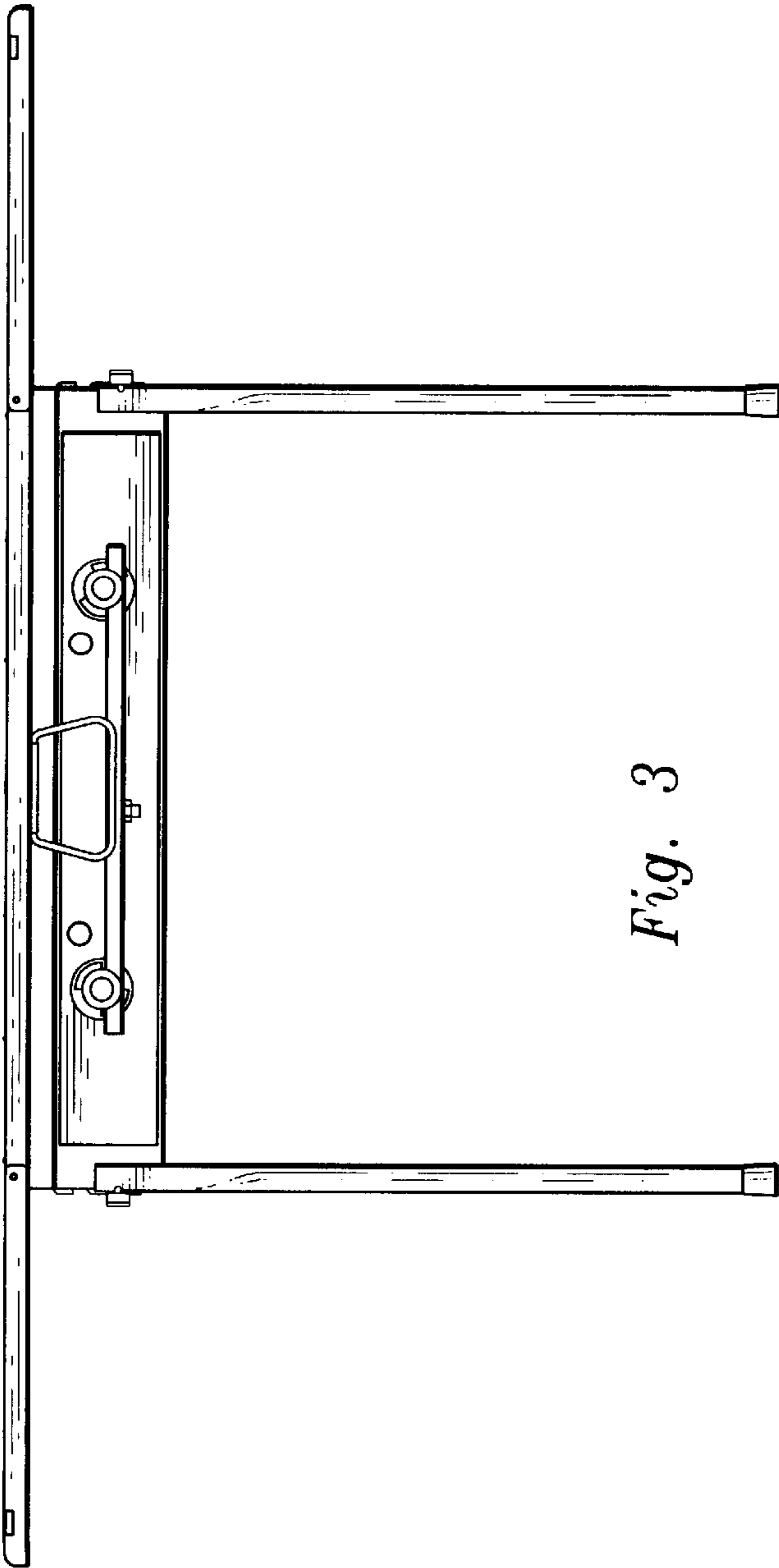


Fig. 3

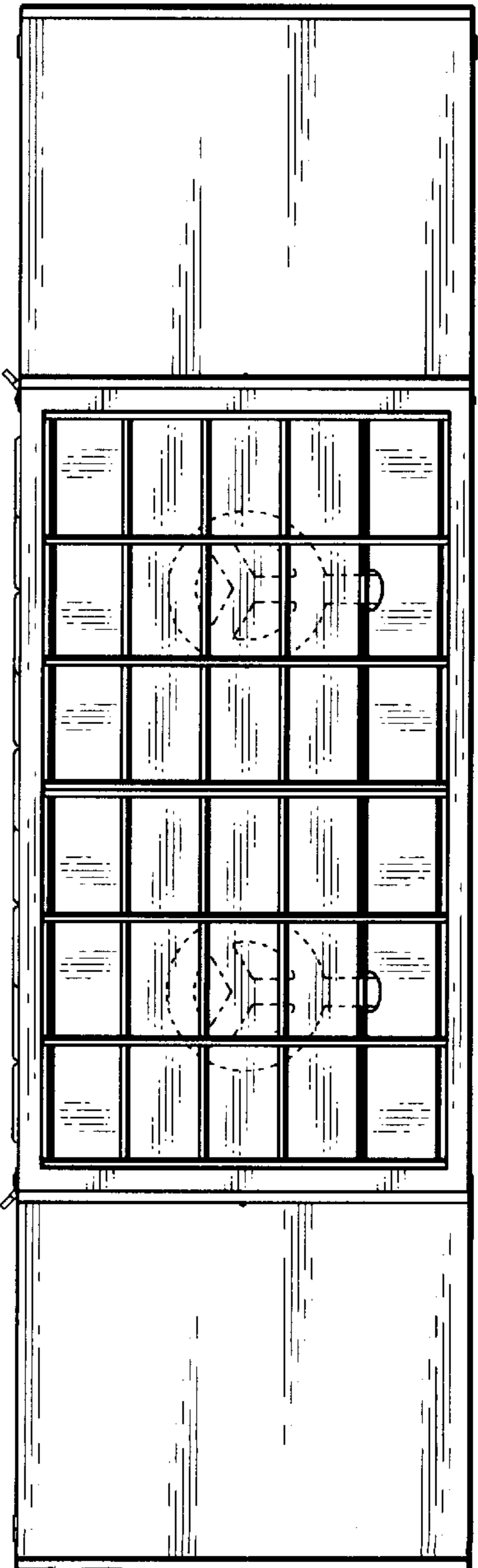
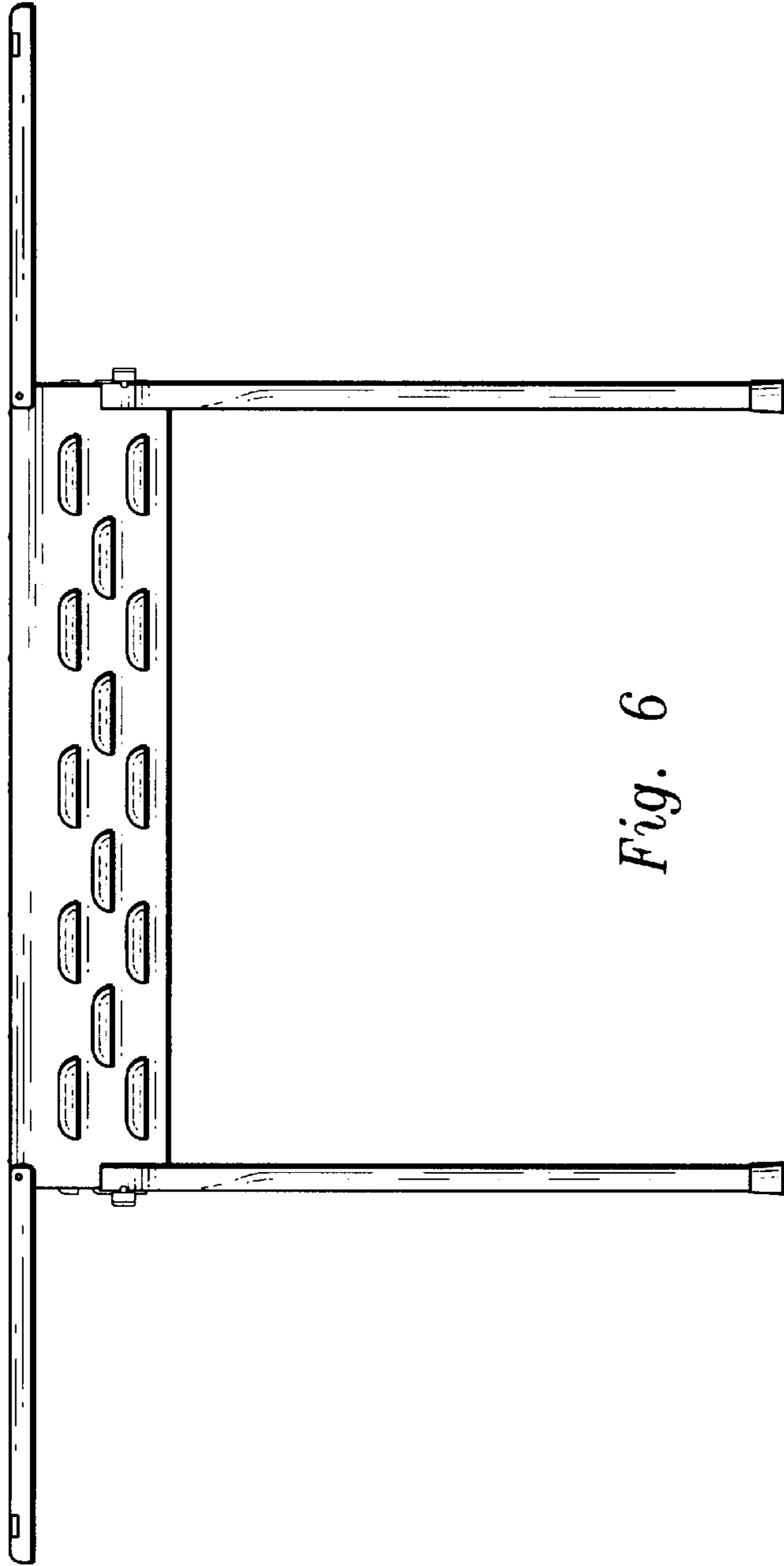
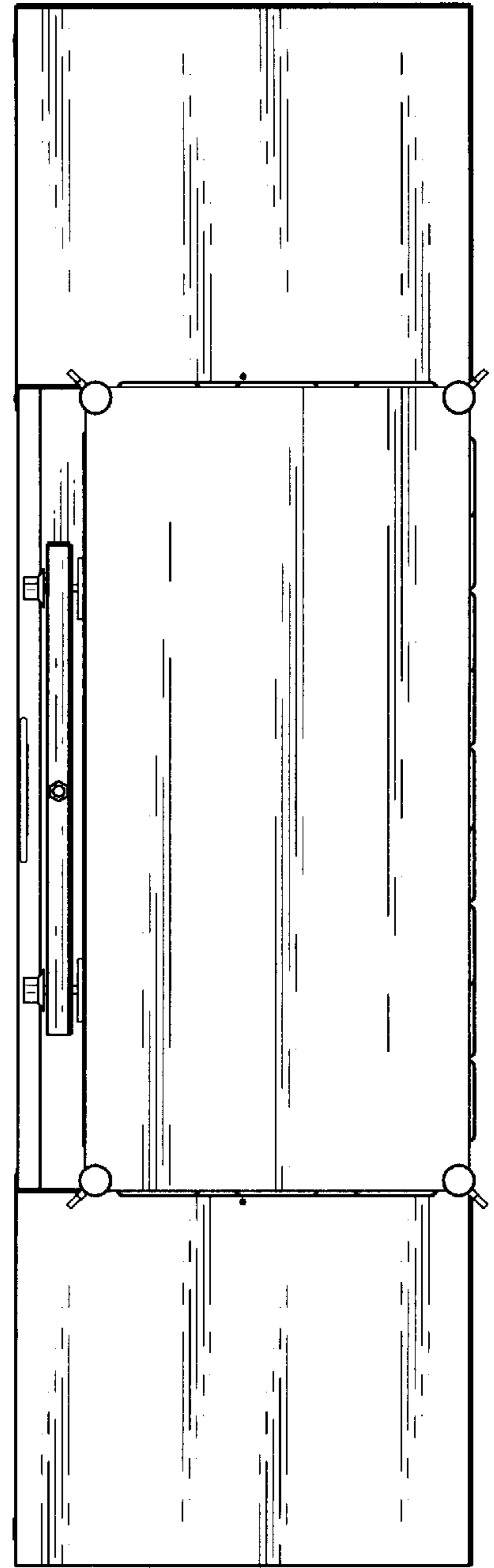


Fig. 5



*Fig. 6*



*Fig. 7*