



US00D450521B1

(12) **United States Design Patent**
Joergensen

(10) **Patent No.:** **US D450,521 S**

(45) **Date of Patent:** **** Nov. 20, 2001**

(54) **TEAPOT**

(75) **Inventor:** **Carsten Joergensen, St. Nikausen (CH)**

(73) **Assignee:** **PI-Design AG, Triengen (CH)**

(**) **Term:** **14 Years**

(21) **Appl. No.:** **29/118,671**

(22) **Filed:** **Feb. 15, 2000**

(30) **Foreign Application Priority Data**

Sep. 2, 1999 (DK) MA 1999 01027

(51) **LOC (7) Cl.** **07-01**

(52) **U.S. Cl.** **D7/319; D7/317**

(58) **Field of Search** D7/300, 312, 316,
D7/321, 317, 318, 319; 222/144.5, 465.1,
572, 473; 99/279, 285, 297; 215/12.1, 12.2;
D23/209, 207; 220/504

(56) **References Cited**

U.S. PATENT DOCUMENTS

- D. 342,414 * 12/1993 Jorgensen D7/317
- D. 343,333 * 1/1994 Jorgensen D7/317
- D. 346,525 * 5/1994 Littmann D7/317

- D. 377,132 * 1/1997 Jorgensen D7/318
- D. 383,638 * 9/1997 Joergensen D7/319
- D. 383,639 * 9/1997 Jorgensen D7/319
- D. 386,351 * 11/1997 Joergensen D7/319
- D. 415,648 * 10/1999 Joergensen D7/317
- D. 444,343 * 7/2001 Chang D7/377

* cited by examiner

Primary Examiner—M. N. Pandozzi

(74) *Attorney, Agent, or Firm*—Nath & Associates PLLC;
Gary M. Nath

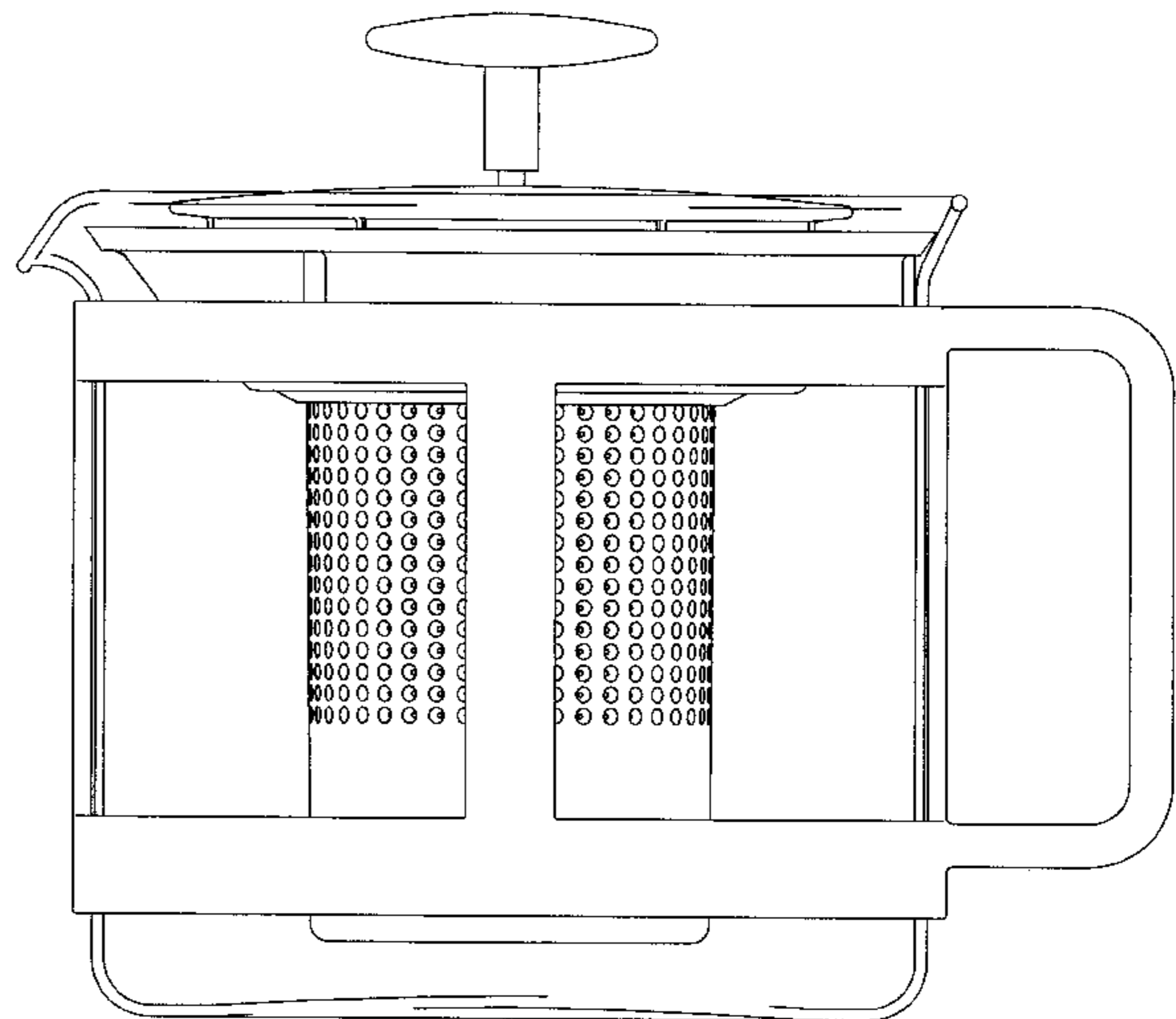
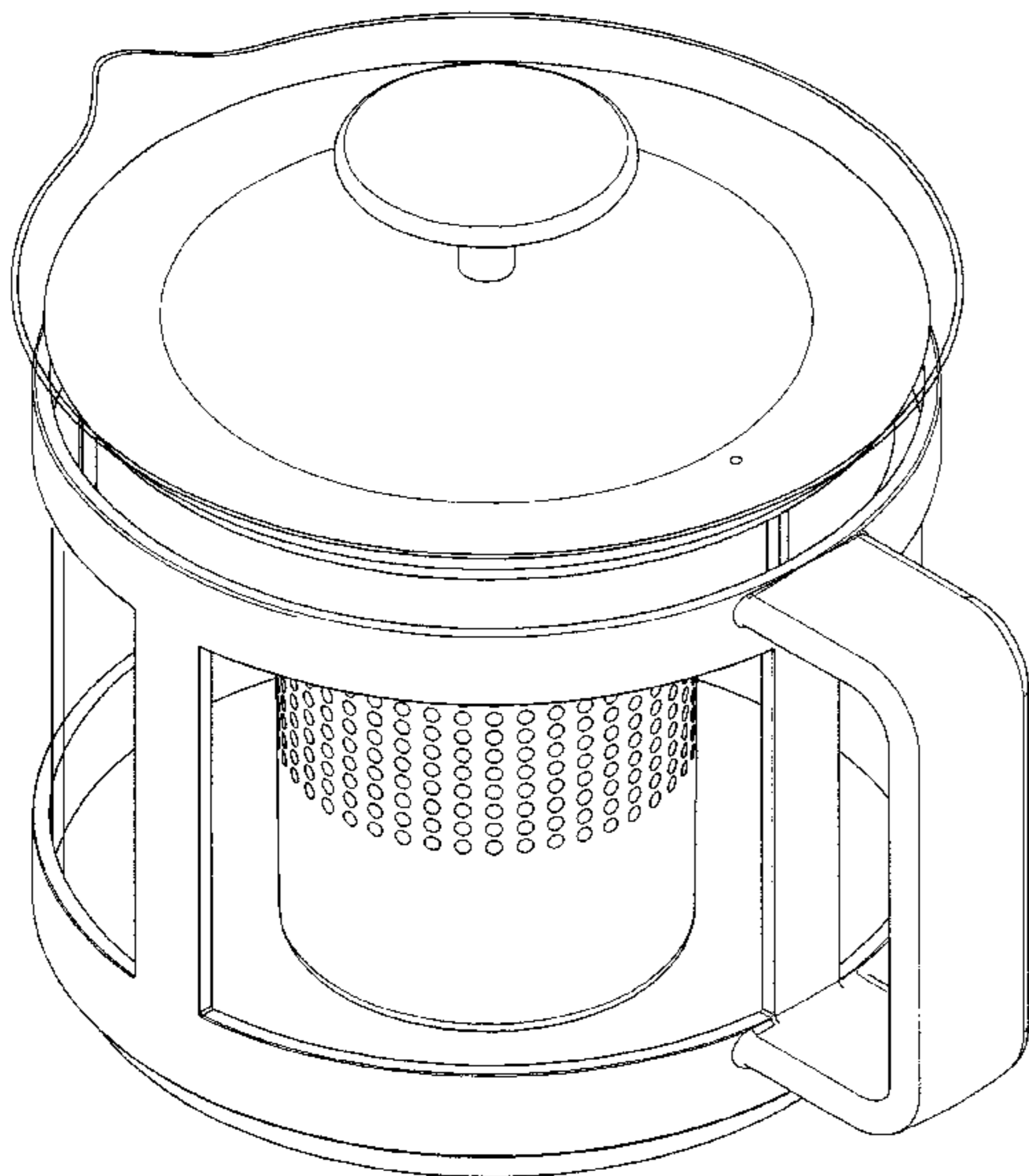
(57) **CLAIM**

The ornamental design for a teapot, as shown and described.

DESCRIPTION

FIG. 1 is an oblique perspective view of the teapot;
 FIG. 2 is a right side view of the teapot, as shown in FIG. 1;
 FIG. 3 is a left side view of the teapot;
 FIG. 4 is a front side view of the teapot;
 FIG. 5 is a back side view of the teapot;
 FIG. 6 is a top view of the teapot; and,
 FIG. 7 is a bottom view of the teapot.

1 Claim, 7 Drawing Sheets



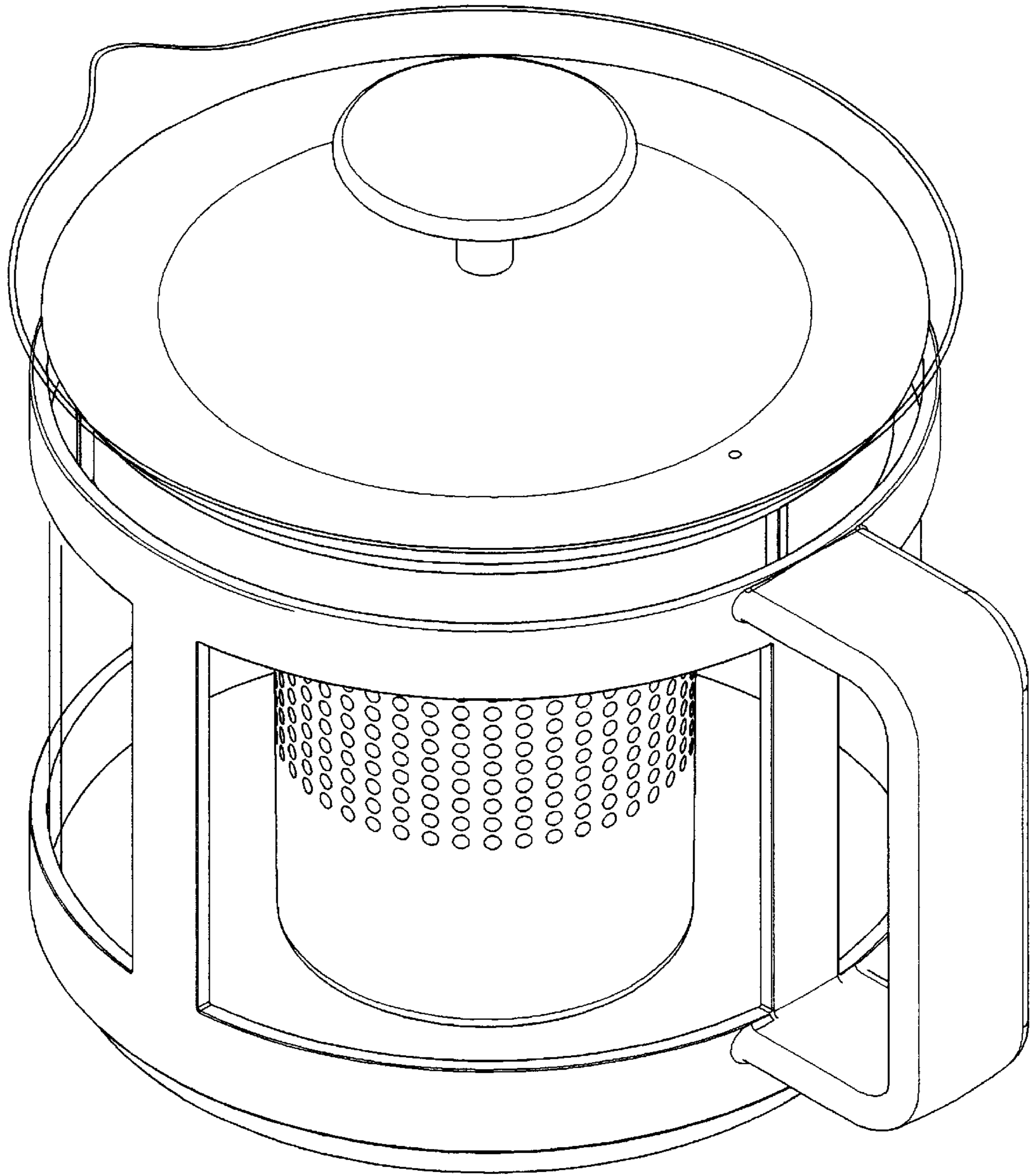


Fig.1

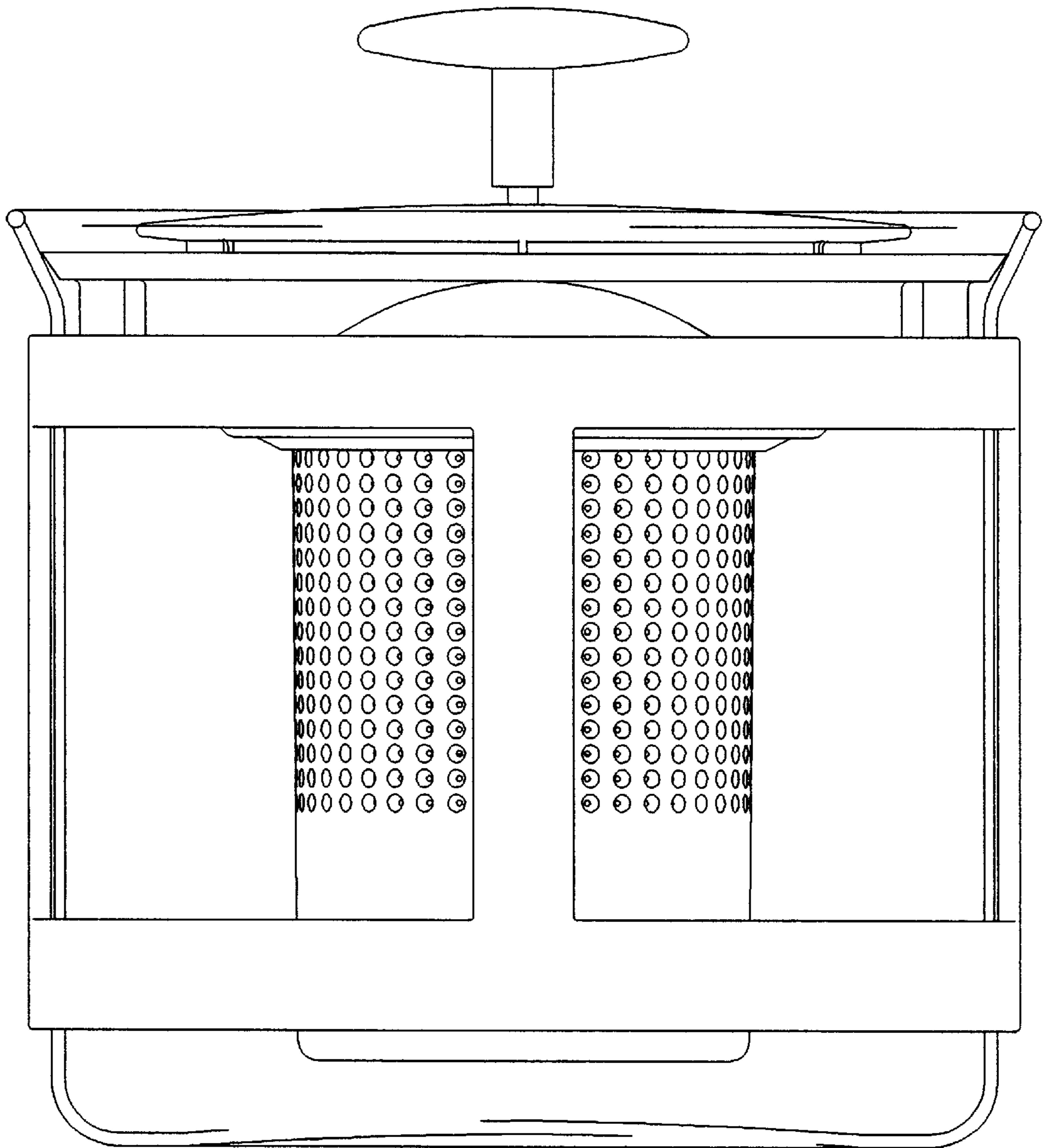


Fig.2

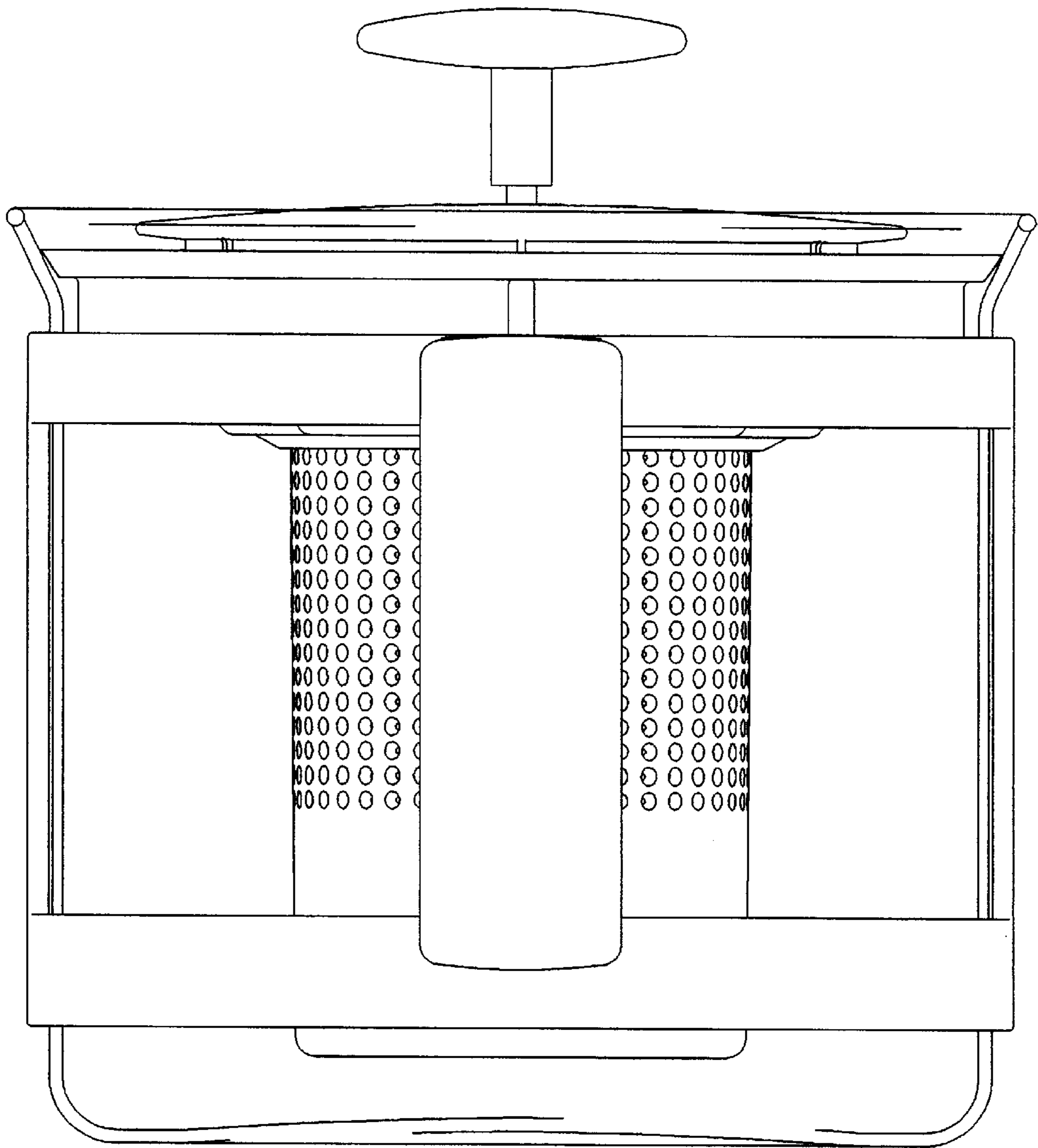


Fig. 3

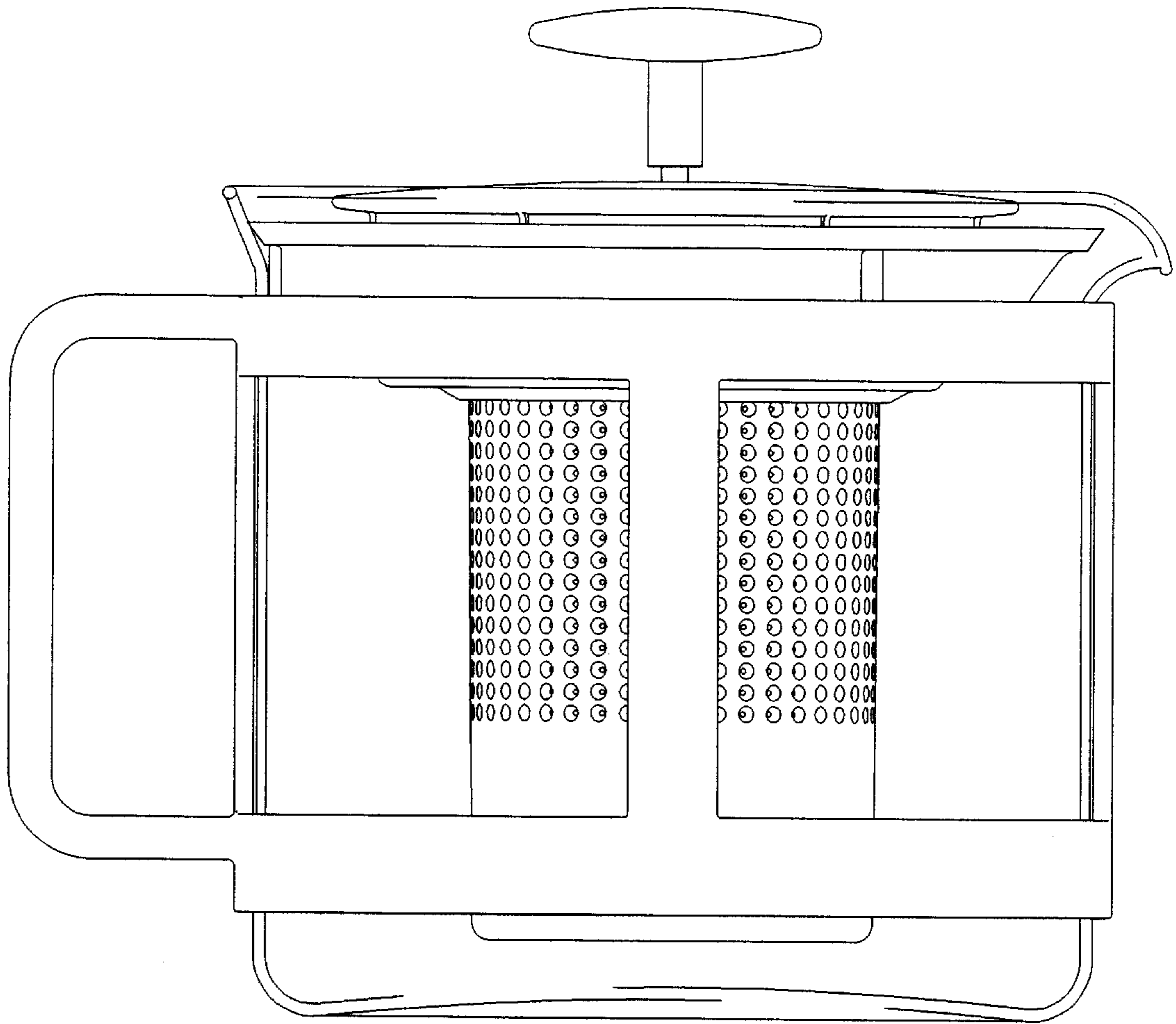


Fig. 4

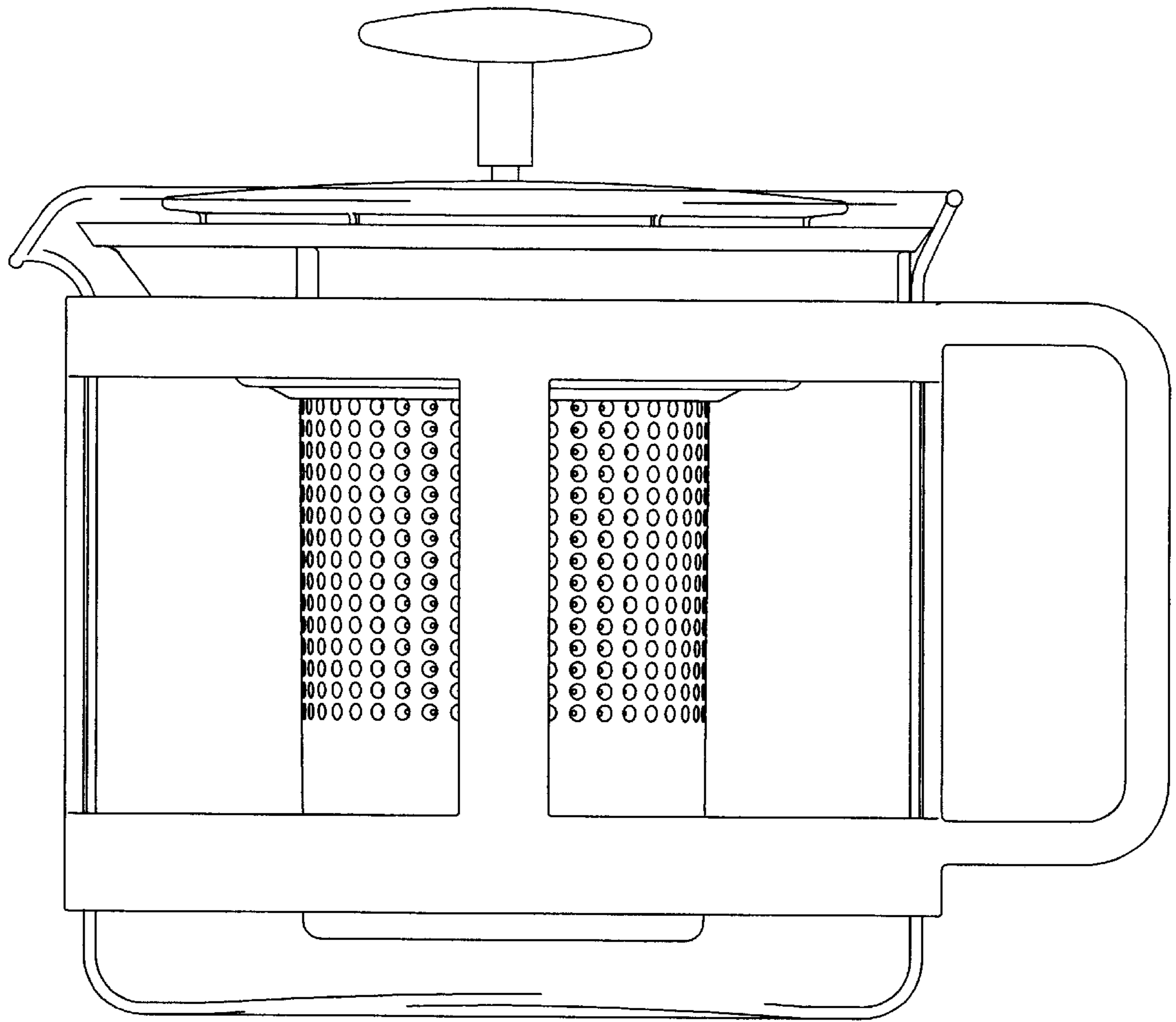


Fig. 5

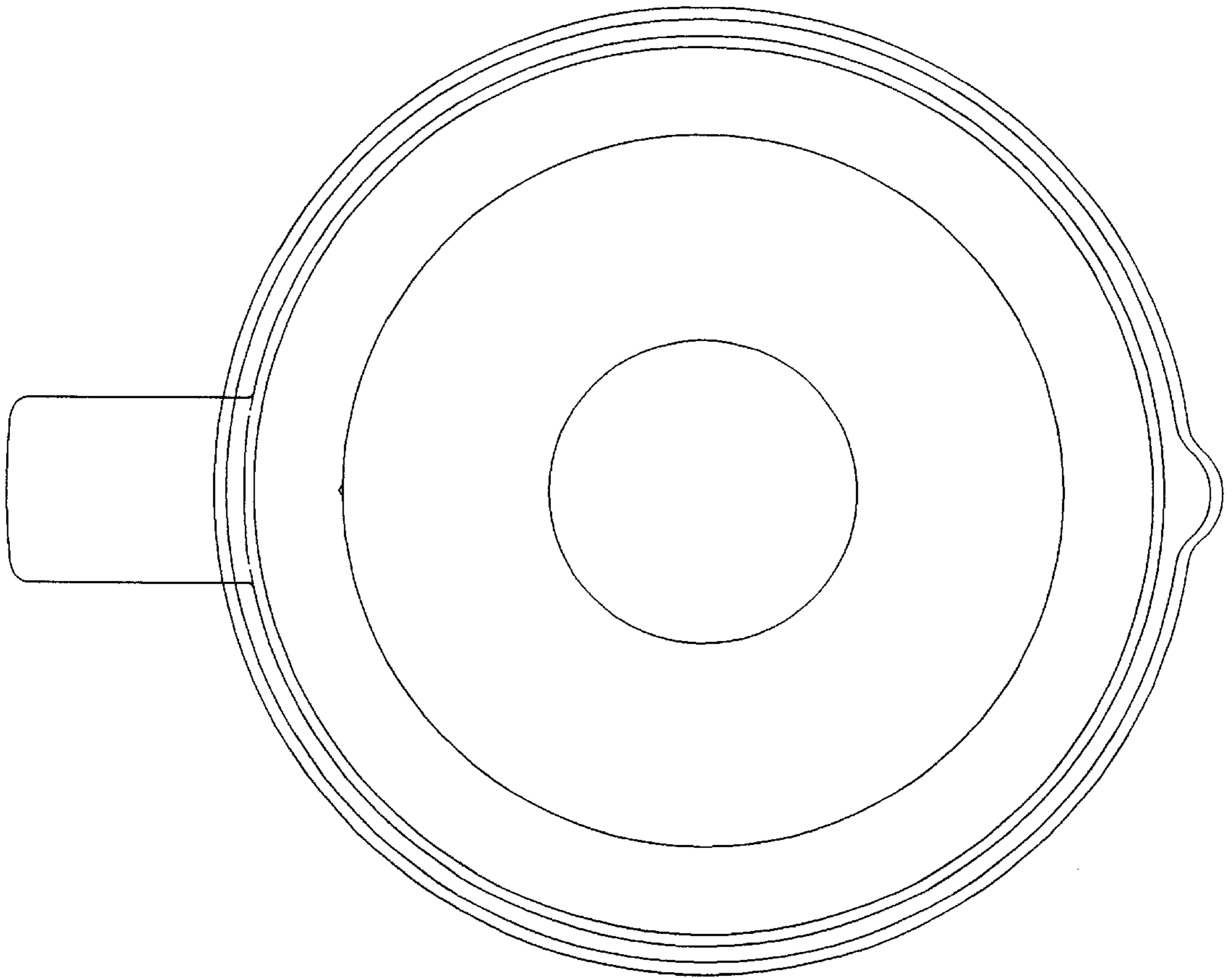


Fig.6

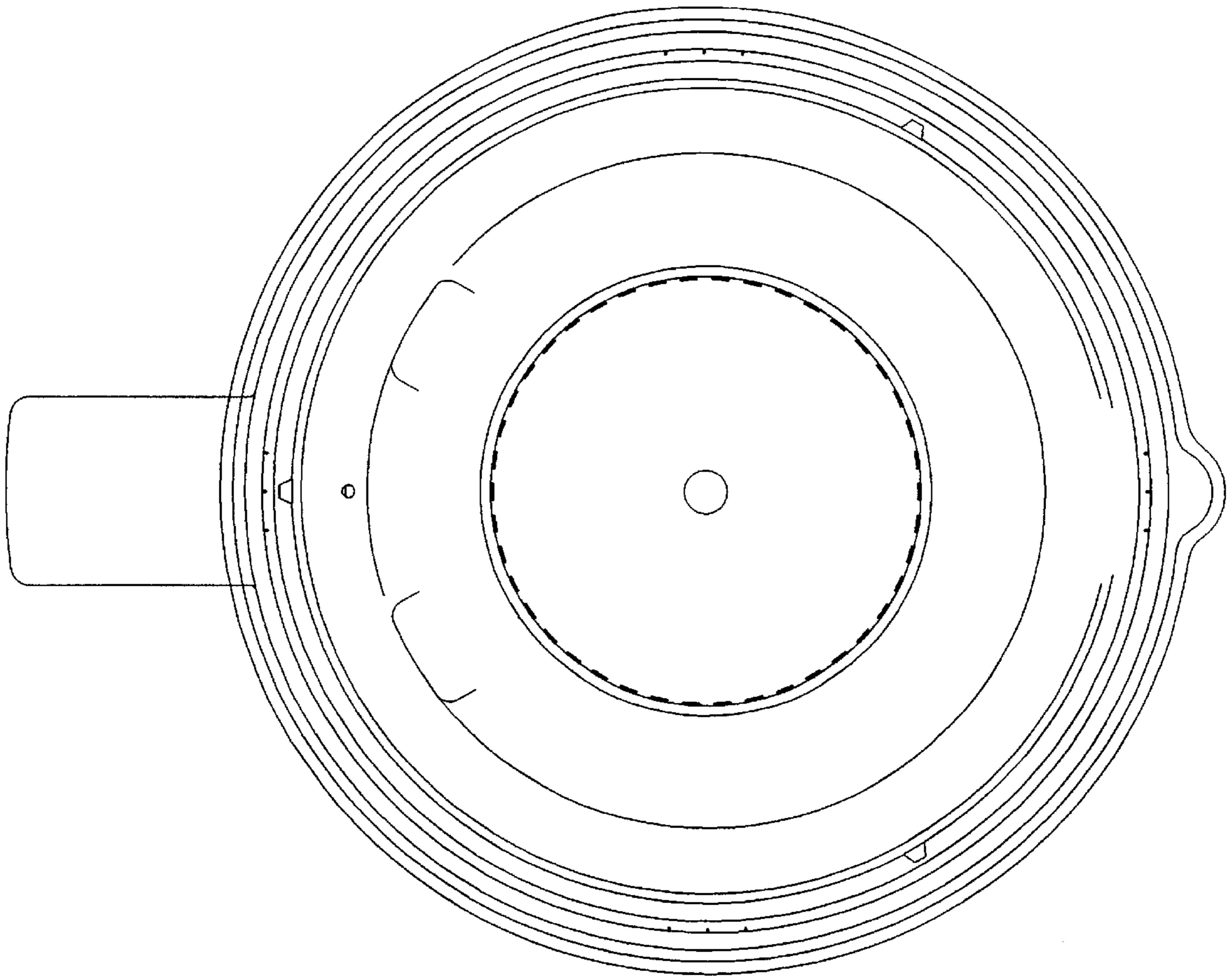


Fig.7