



US00D450512B1

(12) **United States Design Patent**
Gottwald

(10) **Patent No.:** **US D450,512 S**

(45) **Date of Patent:** **** Nov. 20, 2001**

(54) **TOILET BRUSH HOLDER**

(75) Inventor: **Adolf Gottwald**, Iserlohn (DE)

(73) Assignee: **Friedrich Grohe AG & Co. KG**,
Hemer (DE)

(**) Term: **14 Years**

(21) Appl. No.: **29/142,610**

(22) Filed: **May 30, 2001**

(30) **Foreign Application Priority Data**

Dec. 1, 2000 (DE) 400 11 471

(51) **LOC (7) Cl.** **06-04**

(52) **U.S. Cl.** **D6/551; D6/535; D6/524**

(58) **Field of Search** D6/551, 524, 535,
D6/536, 540; 248/205.3, 205.5, 309.1

(56) **References Cited**

U.S. PATENT DOCUMENTS

D. 157,147 * 2/1950 Hallenscheid D6/535

D. 283,283 * 4/1986 Sollen D6/535
D. 371,735 * 7/1996 Motta D6/535 X
D. 425,742 * 5/2000 Duggan D6/535
D. 433,859 * 11/2000 Fiegl et al. D6/551

* cited by examiner

Primary Examiner—Brian N. Vinson

(74) *Attorney, Agent, or Firm*—Herbert Dubno

(57) **CLAIM**

The ornamental design for a toilet brush holder, as shown and described.

DESCRIPTION

FIG. 1 is a top, front, left-side perspective view of a toilet brush holder showing my new design;

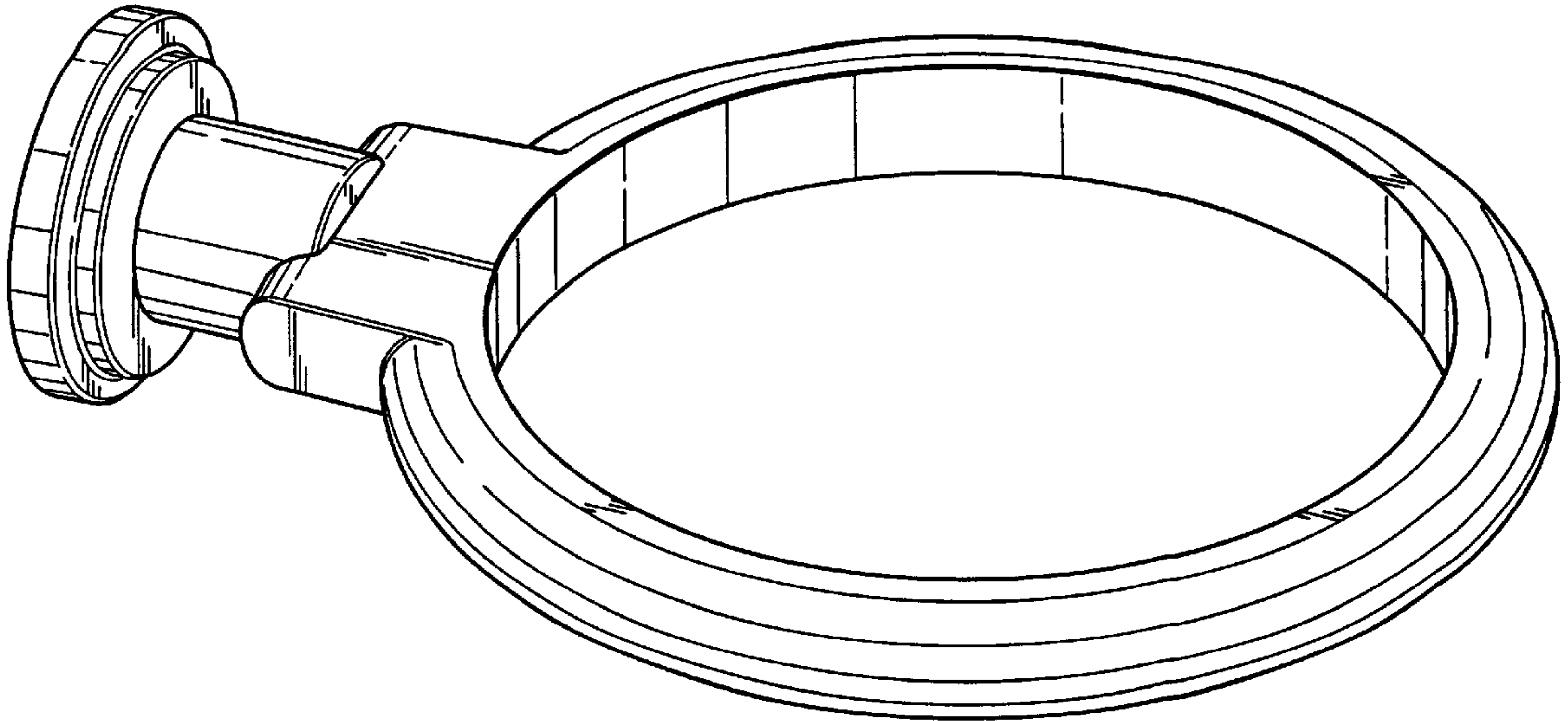
FIG. 2 is a front elevational view thereof;

FIG. 3 is a rear elevational view thereof;

FIG. 4 is a top plan view thereof, the bottom plan view being identical thereto; and,

FIG. 5 is a right side elevational view thereof, the left side view being mirror symmetrical thereto.

1 Claim, 2 Drawing Sheets



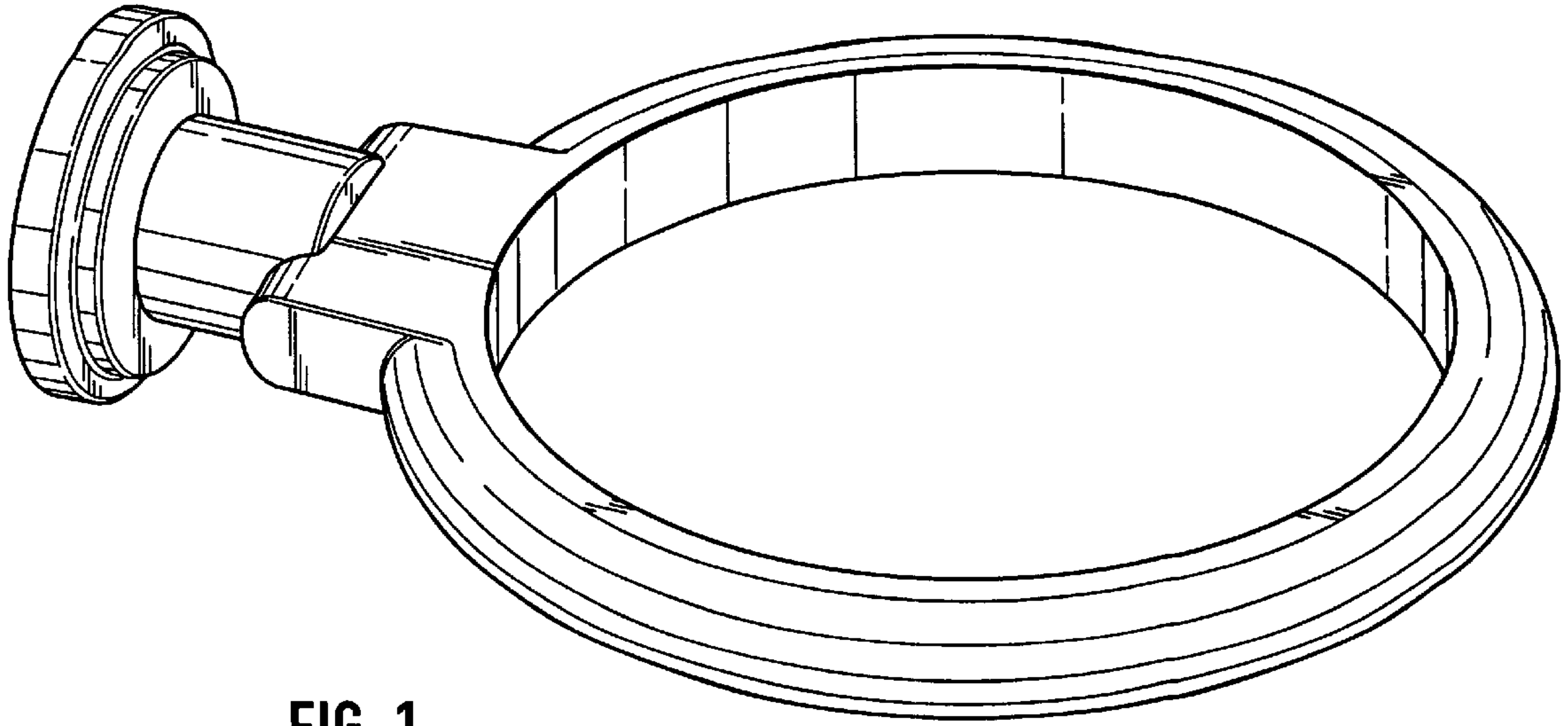


FIG. 1

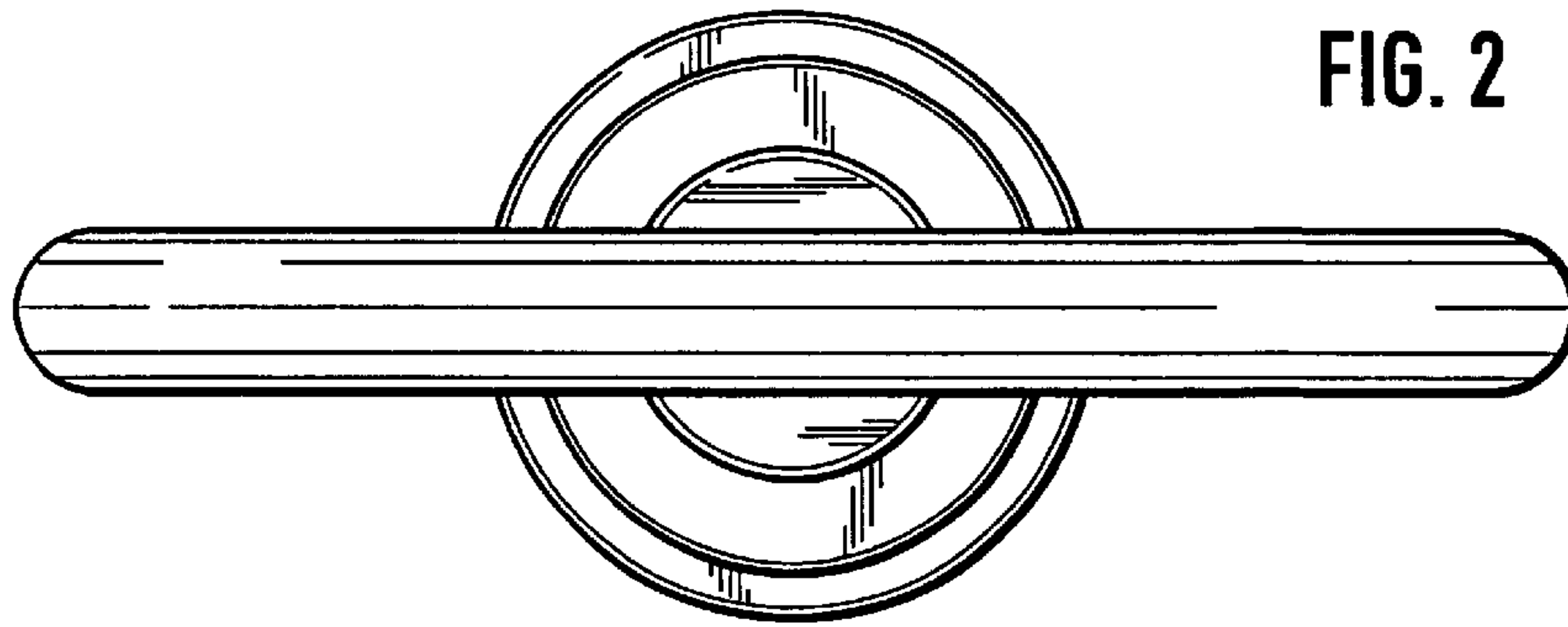


FIG. 2

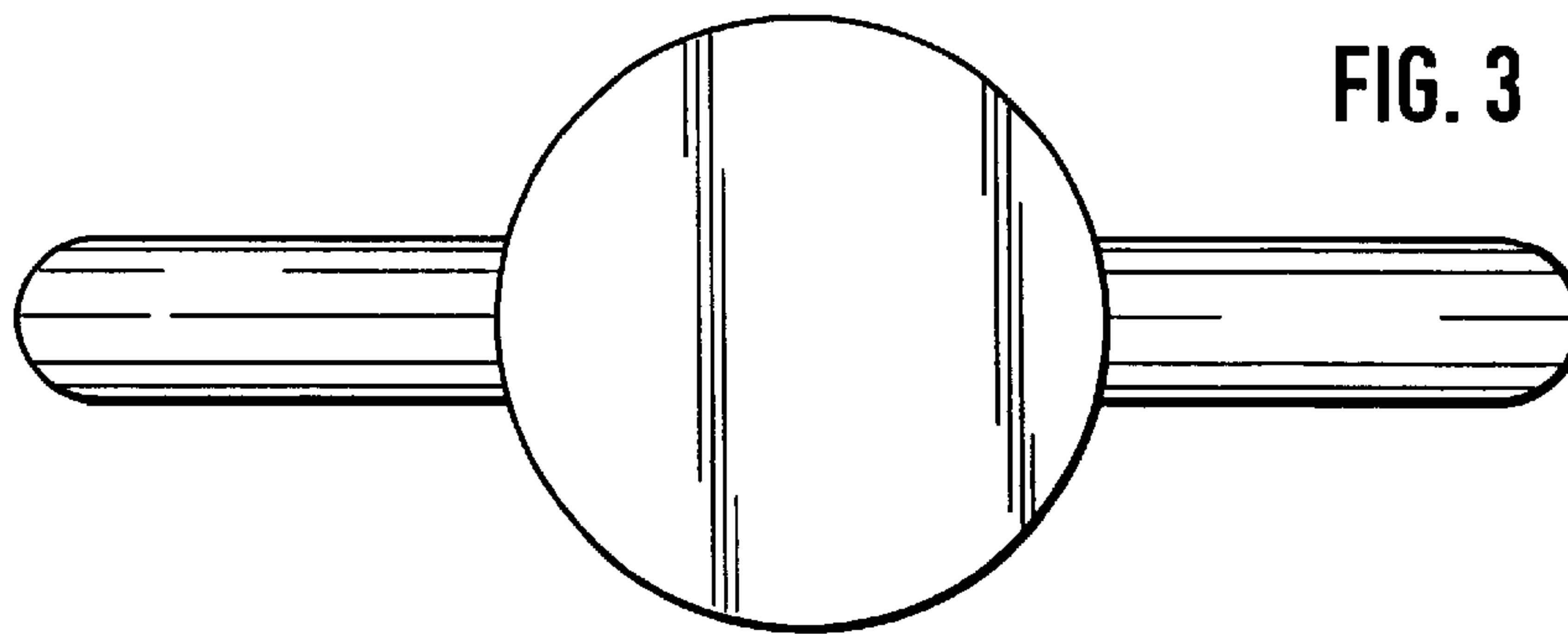


FIG. 3

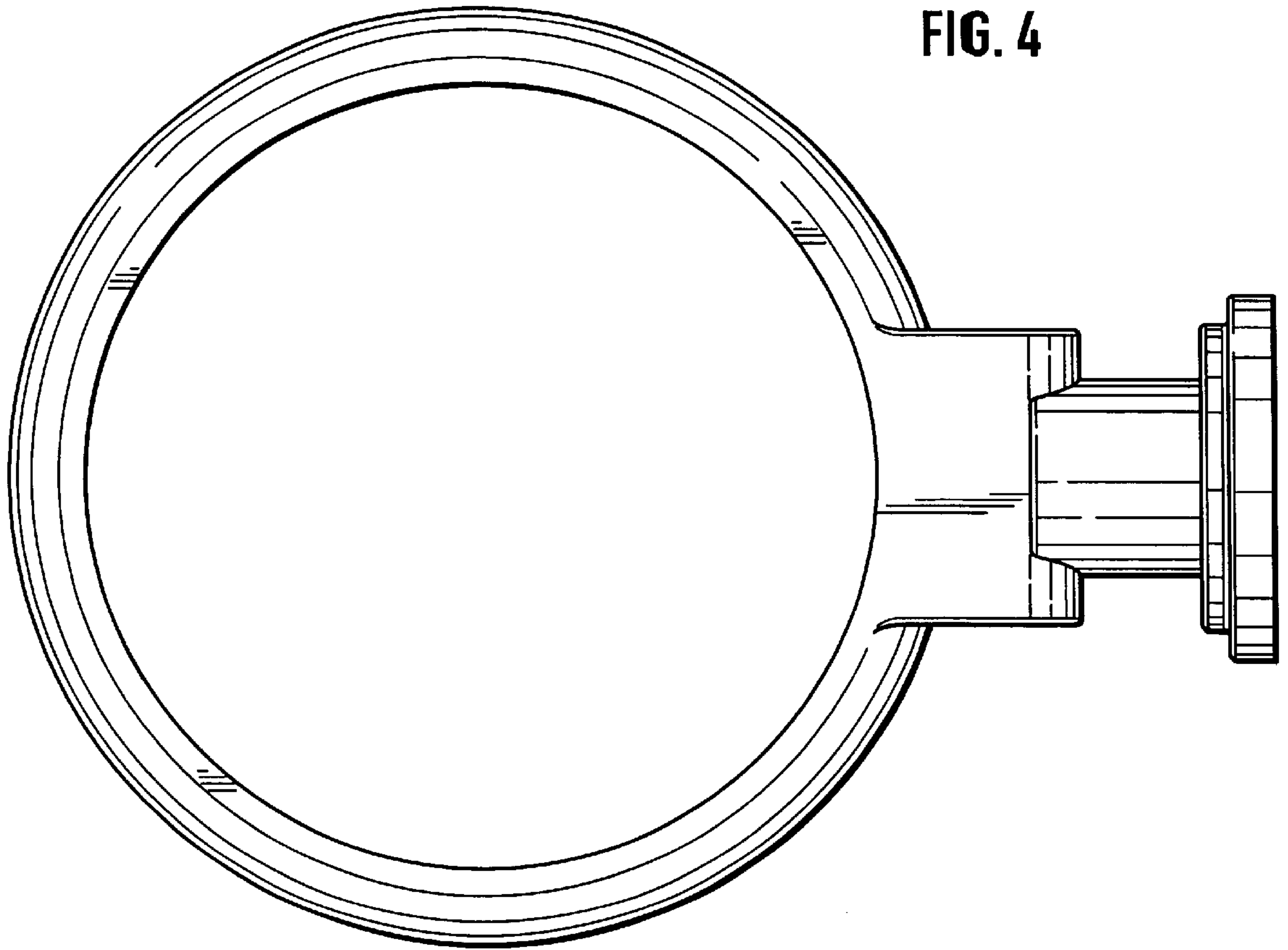


FIG. 4

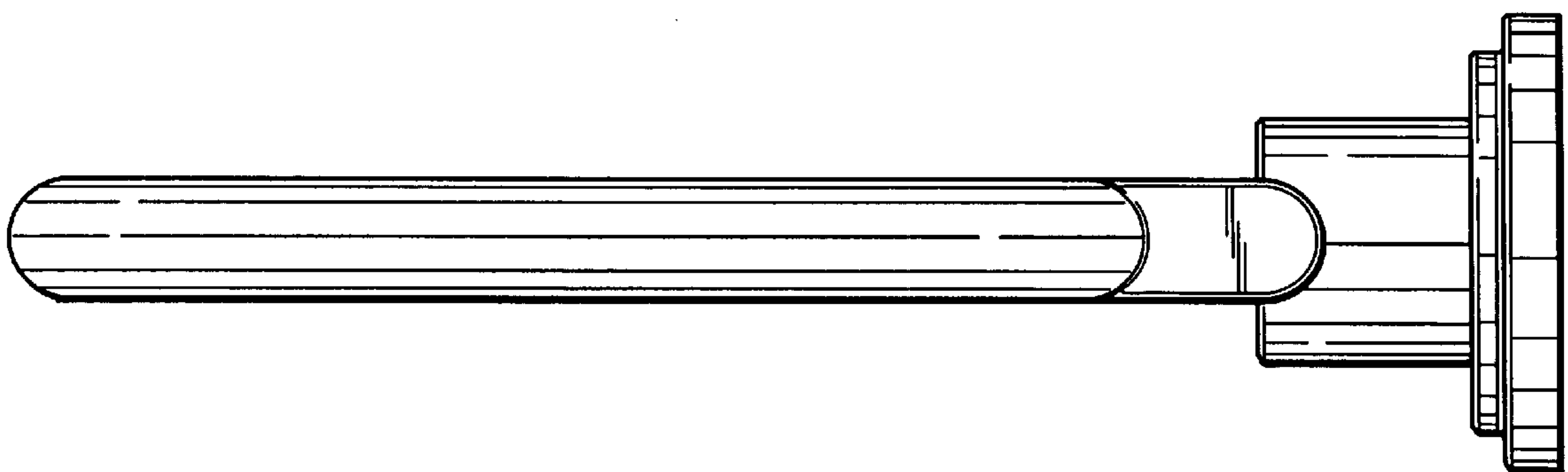


FIG. 5