



US00D450510B1

(12) **United States Design Patent**
Gottwald

(10) **Patent No.:** **US D450,510 S**

(45) **Date of Patent:** **** Nov. 20, 2001**

(54) **TOWEL HOLDER**

(75) Inventor: **Adolf Gottwald**, Iserlohn (DE)

(73) Assignee: **Friedrich Grohe AG & Co. KG**,
Hemer (DE)

(**) Term: **14 Years**

(21) Appl. No.: **29/142,608**

(22) Filed: **May 30, 2001**

(30) **Foreign Application Priority Data**

Dec. 1, 2000 (DE) 4 00 11 471

(51) **LOC (7) Cl.** **06-04**

(52) **U.S. Cl.** **D6/548**

(58) **Field of Search** D6/546-550; 211/13.1,
211/16, 86, 87, 99, 100, 105.1, 123

(56) **References Cited**

U.S. PATENT DOCUMENTS

D. 155,147 * 9/1949 Goldreich D6/548

D. 238,531 * 1/1976 Vrignaud D6/548

D. 267,761 * 2/1983 Cohen D6/548

D. 274,026 * 5/1984 Boroch D6/548

D. 282,705 * 2/1986 Chap D6/566

D. 422,171 * 4/2000 Mahlmann D6/548

D. 437,163 * 2/2001 Fiegl et al. D6/548

* cited by examiner

Primary Examiner—Brian N. Vinson

(74) *Attorney, Agent, or Firm*—Herbert Dubno

(57) **CLAIM**

The ornamental design for a towel holder, as shown and described.

DESCRIPTION

FIG. 1 is a top, front, left-side perspective view of a towel holder showing my new design;

FIG. 2 is a front elevational view thereof;

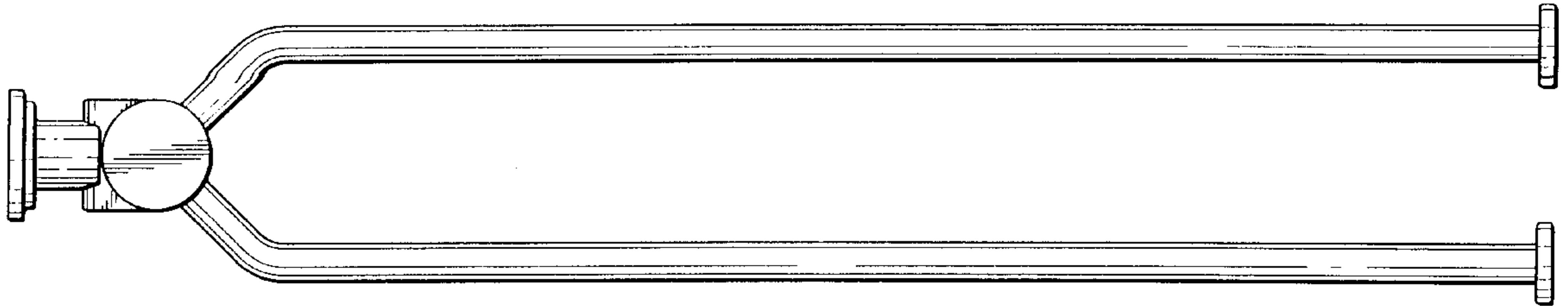
FIG. 3 is a rear elevational view thereof;

FIG. 4 is a left side elevational view thereof, the right side elevational view being mirror symmetrical thereto;

FIG. 5 is a top plan view thereof; and,

FIG. 6 is a bottom plan view thereof.

1 Claim, 3 Drawing Sheets



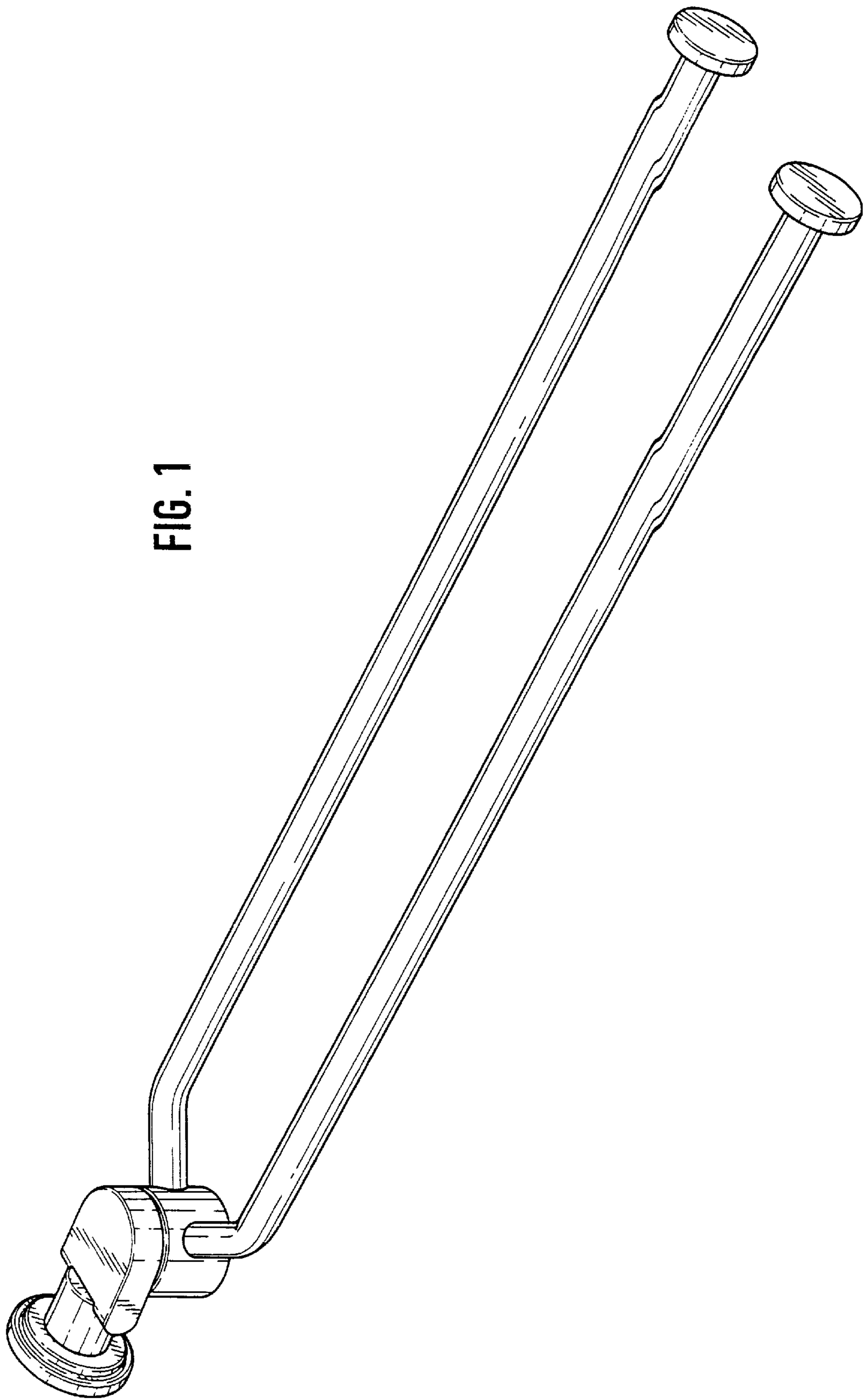


FIG. 1

FIG. 3

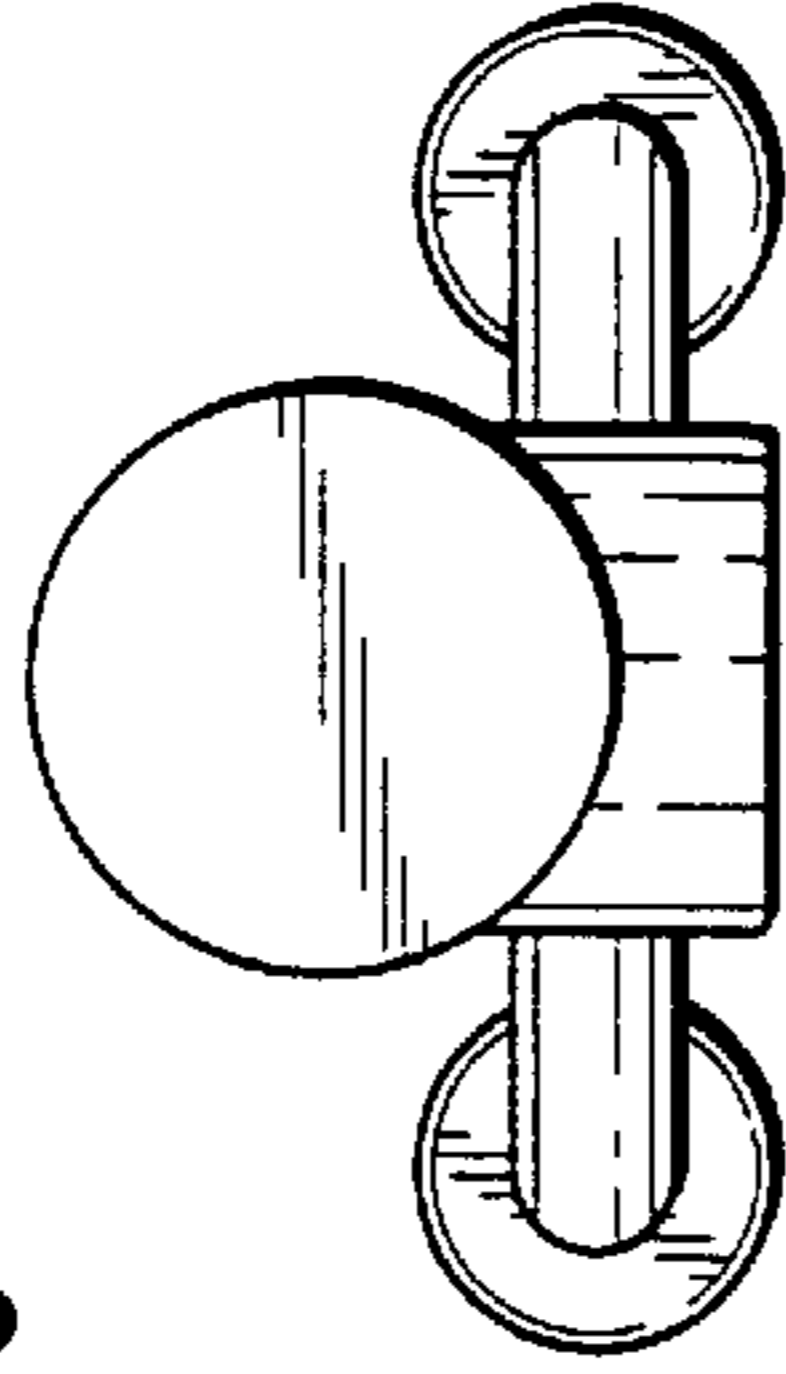


FIG. 2

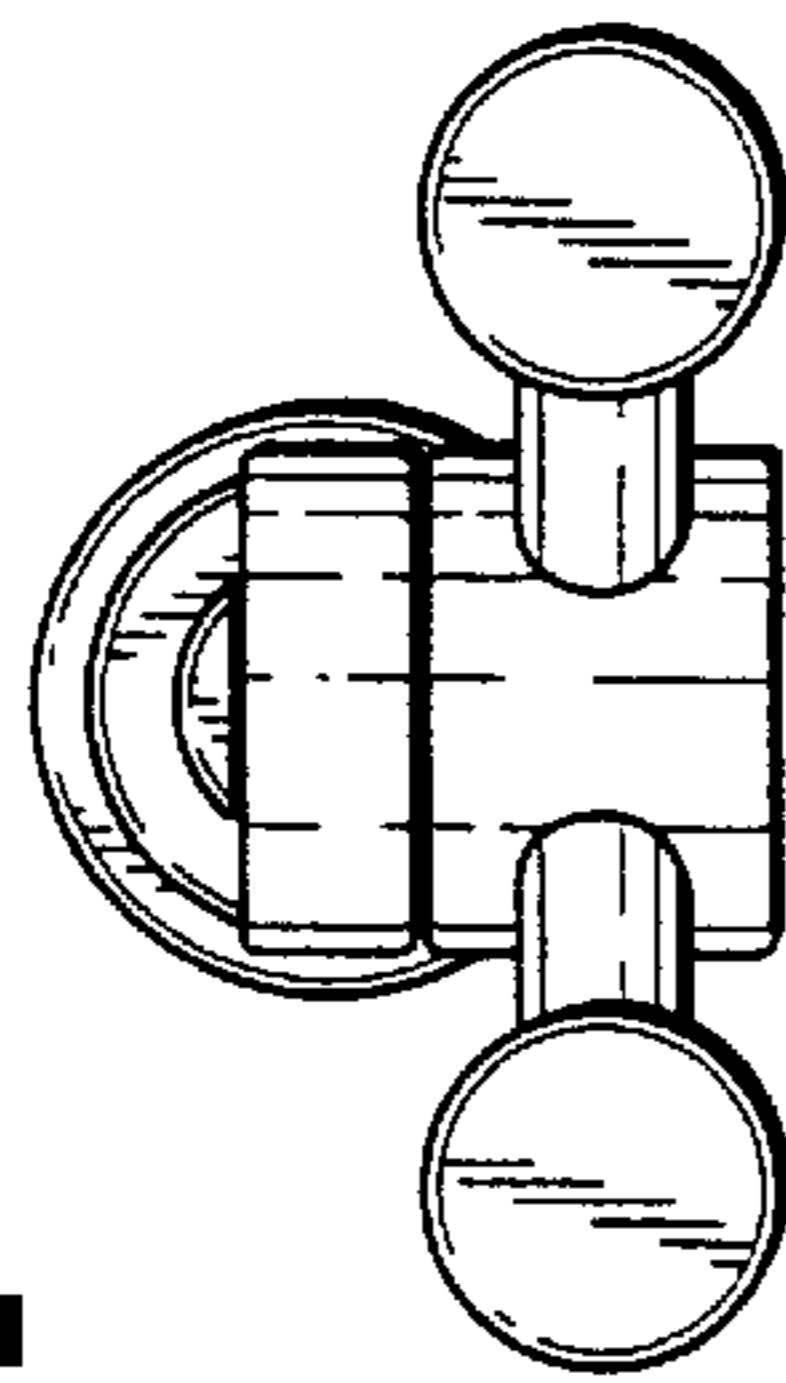


FIG. 4

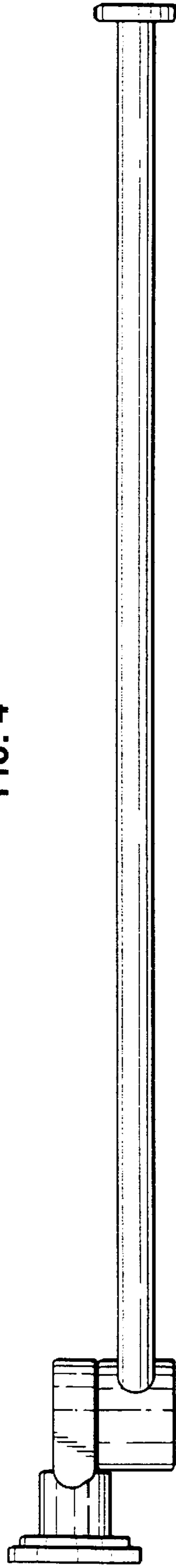


FIG. 5

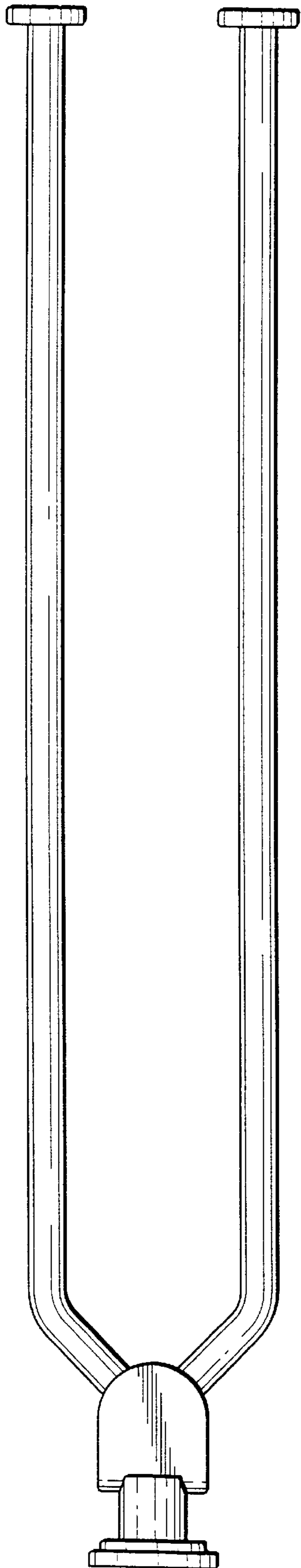


FIG. 6

