



US00D450509B1

(12) **United States Design Patent**
Gottwald

(10) **Patent No.:** **US D450,509 S**

(45) **Date of Patent:** **** Nov. 20, 2001**

(54) **TOWEL HOLDER**

(75) Inventor: **Adolf Gottwald, Iserlohn (DE)**

(73) Assignee: **Friedrich Grohe AG & Co. KG,**
Hemer (DE)

(**) Term: **14 Years**

(21) Appl. No.: **29/142,677**

(22) Filed: **May 31, 2001**

(30) **Foreign Application Priority Data**

Dec. 1, 2000 (DE) 400 11 471

(51) **LOC (7) Cl.** **06-04**

(52) **U.S. Cl.** **D6/546**

(58) **Field of Search** D6/546-50, 518,
D6/522-24; D8/300, 315-21, 354, 363,
373, 380; 108/28-29; 211/13.1, 16, 60.1,
86.01, 87.01, 88.04, 100, 105.1-105.2,
123, 181.1, 182; 248/175, 176.1, 251, 302;
16/110.1, 412, 415; 242/570, 590, 595-598;
206/389

(56) **References Cited**

U.S. PATENT DOCUMENTS

D. 274,027 * 5/1984 Thompson D6/546

D. 334,315 * 3/1993 Bengtson D6/524
D. 362,775 * 10/1995 Moon D6/546
4,637,582 * 1/1987 Boda D6/546 X
4,907,771 * 3/1990 Wang 248/251 X

* cited by examiner

Primary Examiner—Brian N. Vinson

(74) *Attorney, Agent, or Firm*—Herbert Dubno

(57) **CLAIM**

The ornamental design for a towel holder, as shown and described.

DESCRIPTION

FIG. 1 is a top, front, left-side perspective view of a towel holder showing my new design;

FIG. 2 is a front elevational view thereof;

FIG. 3 is a rear elevational view thereof;

FIG. 4 is a left side elevational view thereof, the right side elevational view being mirror symmetrical thereto;

FIG. 5 is a top plan view thereof; and,

FIG. 6 is a bottom plan view thereof.

1 Claim, 5 Drawing Sheets

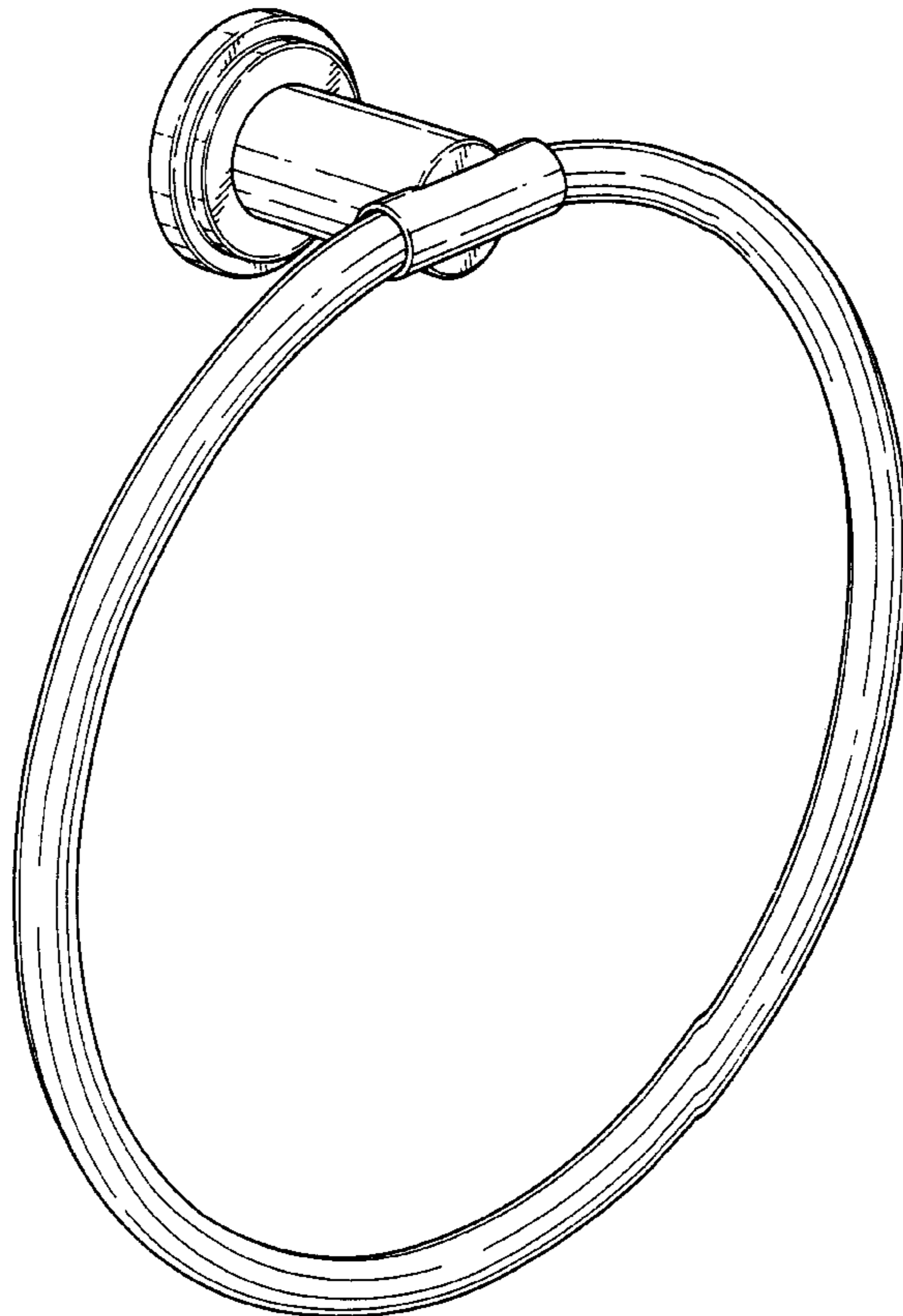


FIG. 1

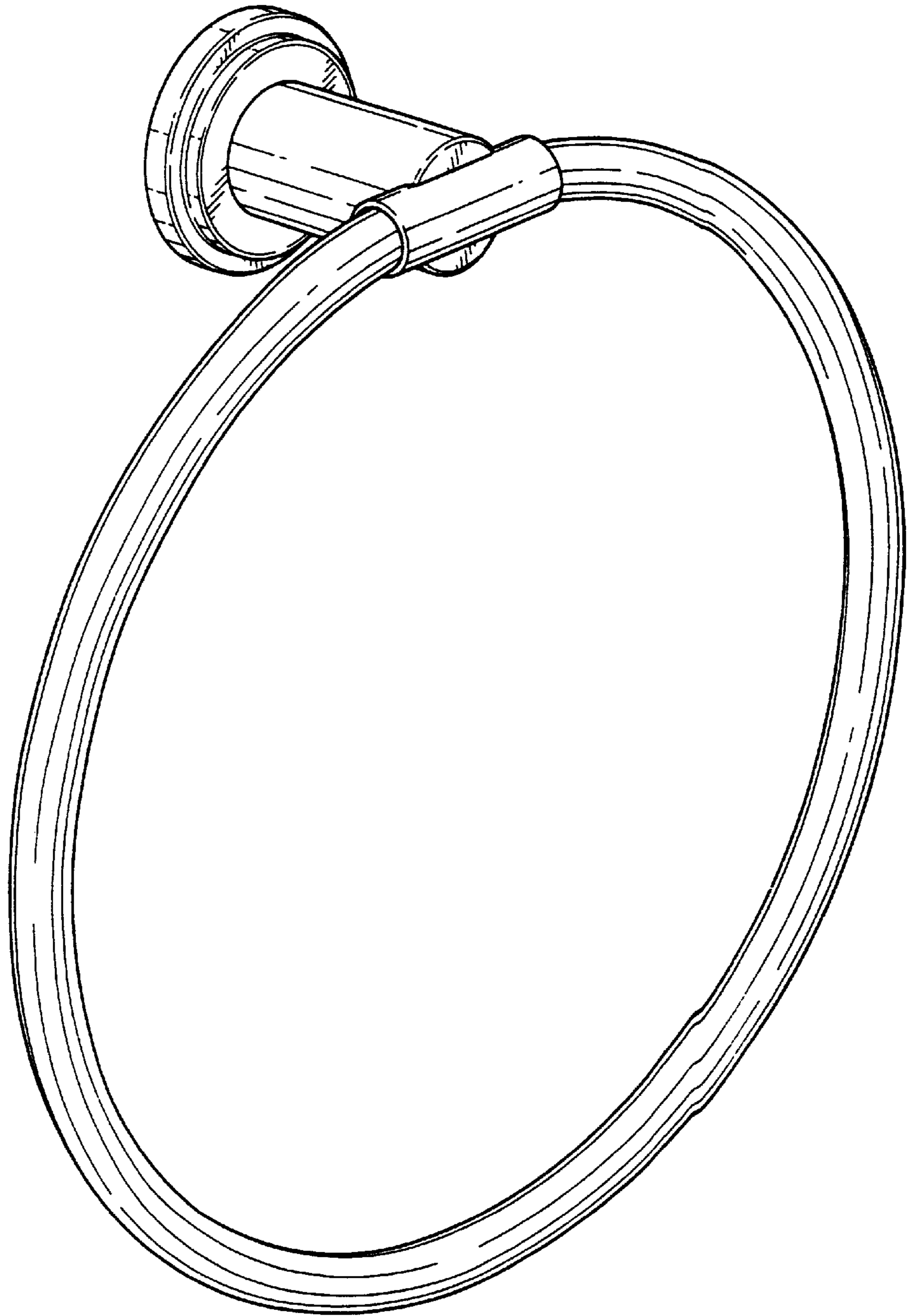


FIG. 2

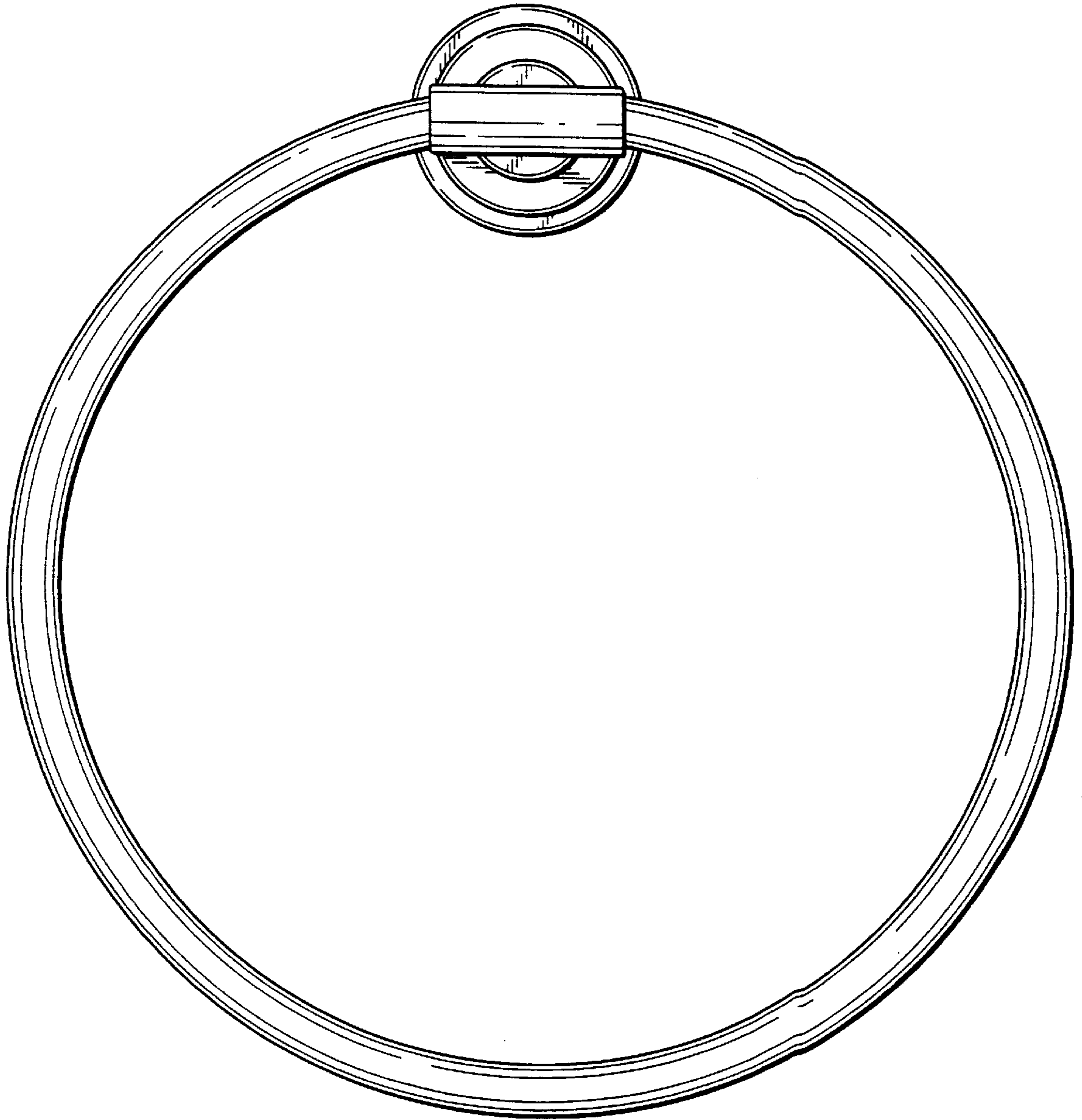
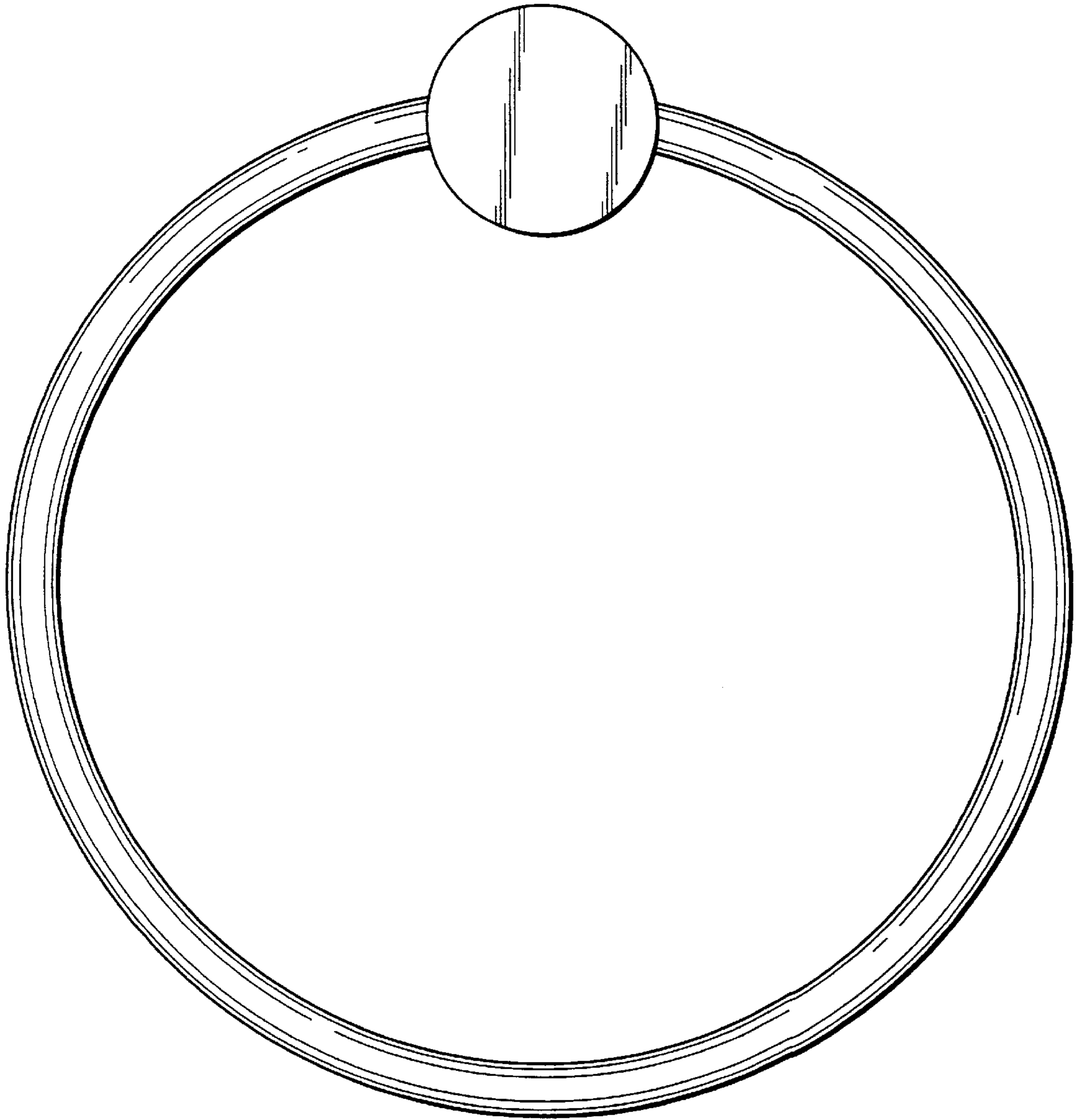


FIG. 3



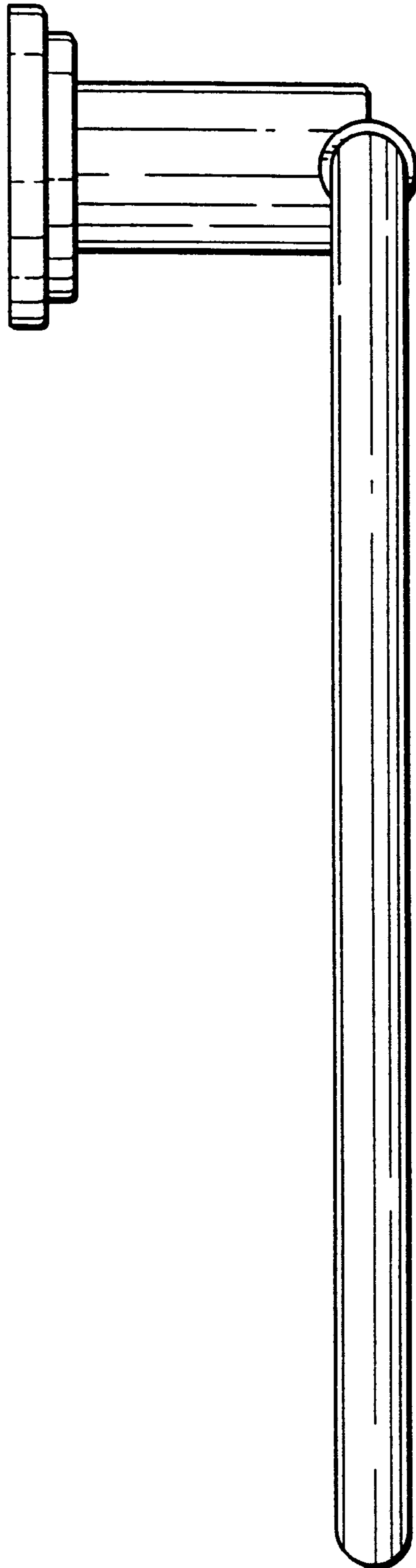


FIG. 4

FIG. 5

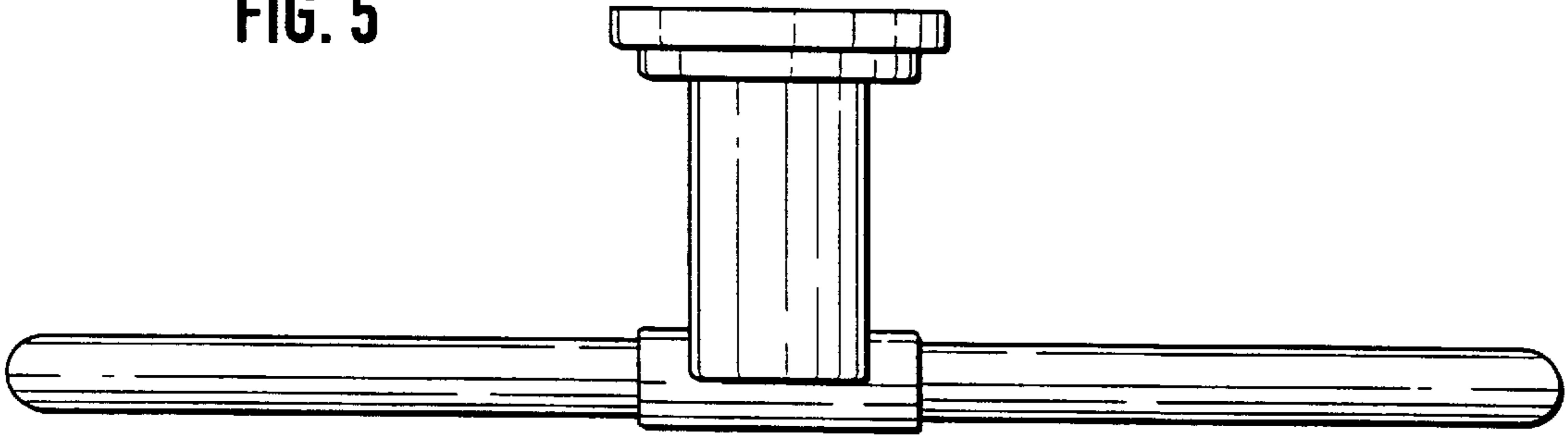


FIG. 6

