



US00D450508B1

(12) **United States Design Patent**
Simonsen

(10) **Patent No.:** **US D450,508 S**

(45) **Date of Patent:** **** Nov. 20, 2001**

(54) **PORTABLE TOWEL HOLDER**

(76) Inventor: **Joseph Simonsen**, 1431 Seattle Ave.,
Wenatchee, WA (US) 98801

(**) Term: **14 Years**

(21) Appl. No.: **29/136,490**

(22) Filed: **Jan. 31, 2001**

(51) **LOC (7) Cl.** **06-04**

(52) **U.S. Cl.** **D6/546; D6/513**

(58) **Field of Search** D6/513, 546-50,
D6/518, 522-24; D8/300, 307-308, 315-21;
108/28-29; 211/13.1, 16, 60.1, 86.01, 87.01,
88.04, 100, 105.1-105.2, 123, 181.1, 182;
242/570, 590, 595, 597-98; 248/175, 176.1,
251, 302; 16/110.1, 412, 415

(56) **References Cited**

U.S. PATENT DOCUMENTS

- D. 335,993 * 6/1993 McNeill D6/546
- D. 378,643 * 4/1997 Jordan D6/546
- D. 394,969 * 6/1998 Ho D6/546

- D. 441,582 * 5/2001 Moore D6/546
- 2,576,873 * 11/1951 Zelov 211/88.04 X
- 4,907,771 * 3/1990 Wang 248/251 X

* cited by examiner

Primary Examiner—Brian N. Vinson
(74) *Attorney, Agent, or Firm*—Wells, St. John, Roberts,
Gregory & Matkin P.S.

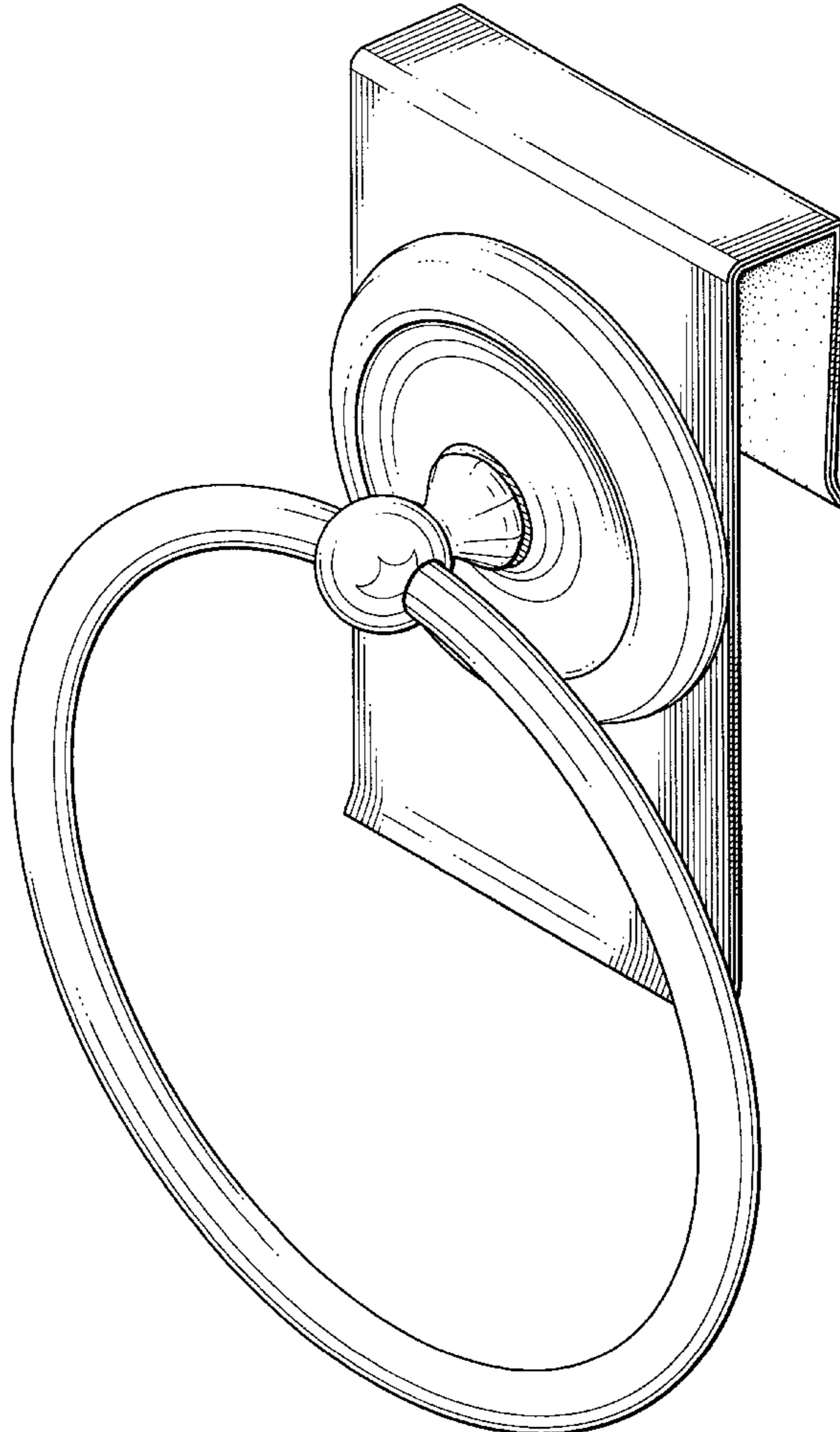
(57) **CLAIM**

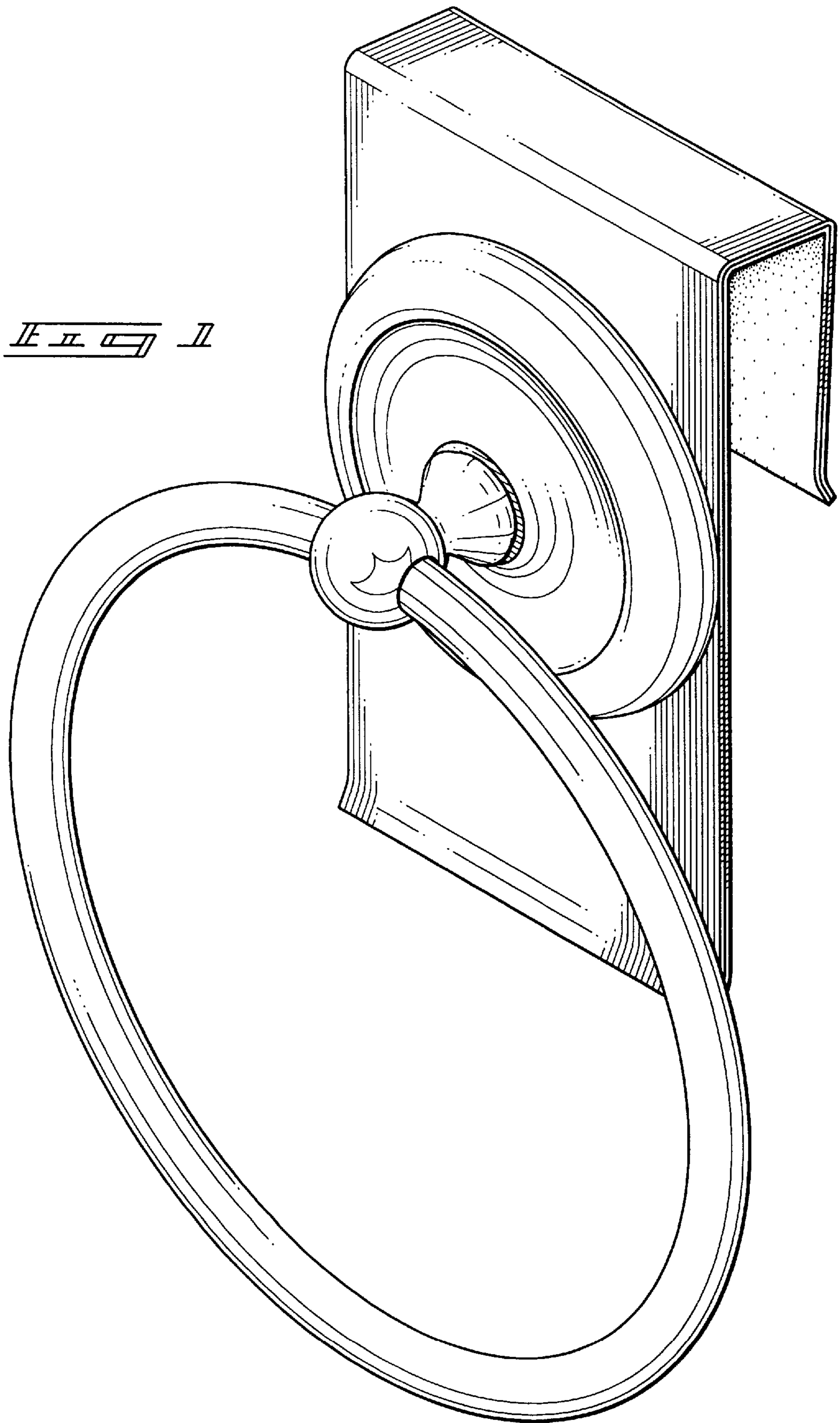
The ornamental design for portable towel holder, as shown
and described.

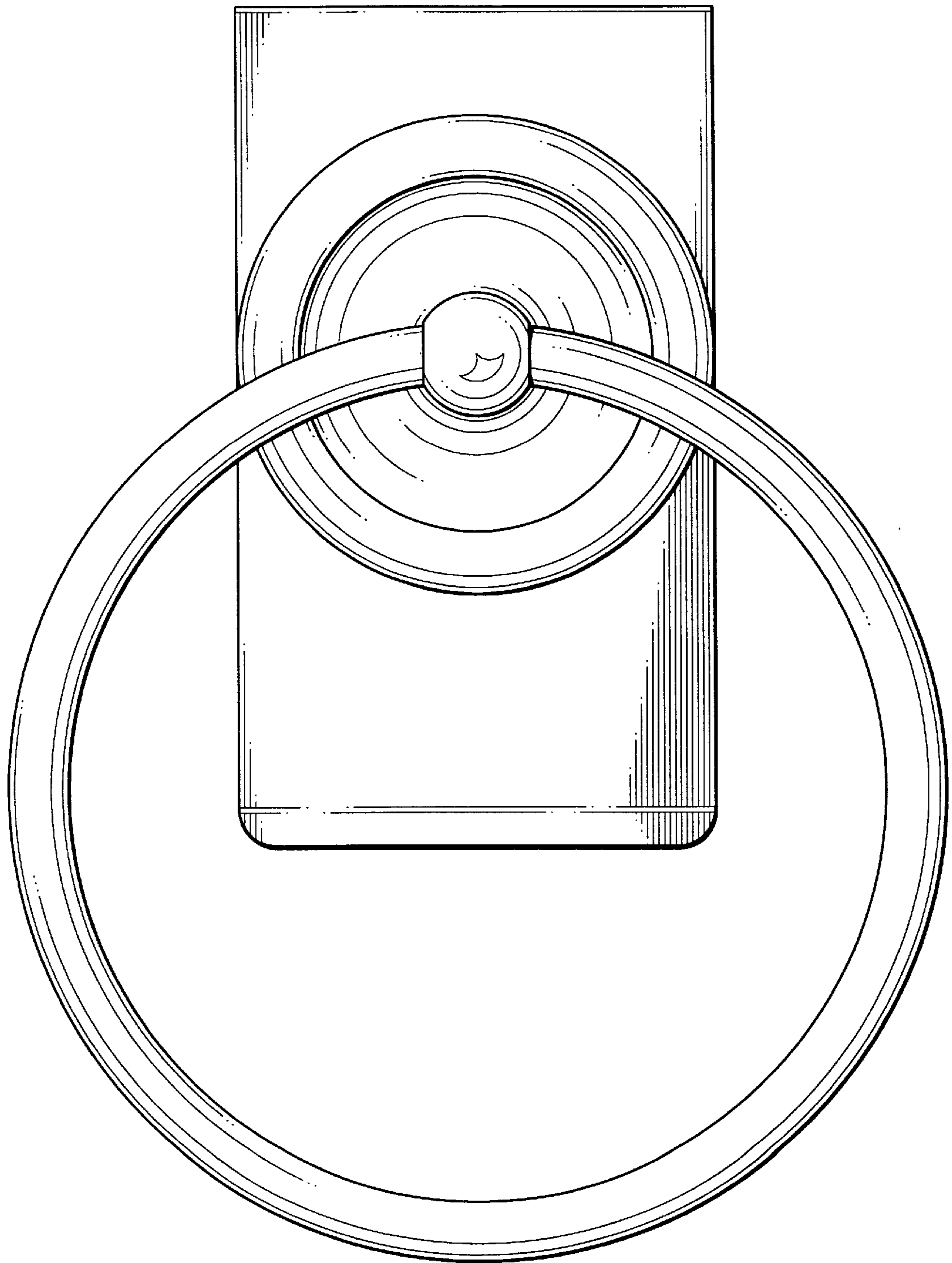
DESCRIPTION

FIG. 1 is a perspective view of a portable towel holder
showing my new design;
FIG. 2 is a front elevation view thereof;
FIG. 3 is a rear elevation view thereof;
FIG. 4 is a top plan view thereof;
FIG. 5 is a bottom plan view thereof;
FIG. 6 is a right side elevation view thereof, the opposite,
left side being a mirror image thereof; and,
FIG. 7 is a sectional view taken along line 7—7 in FIG. 2.

1 Claim, 6 Drawing Sheets







It is hereby certified

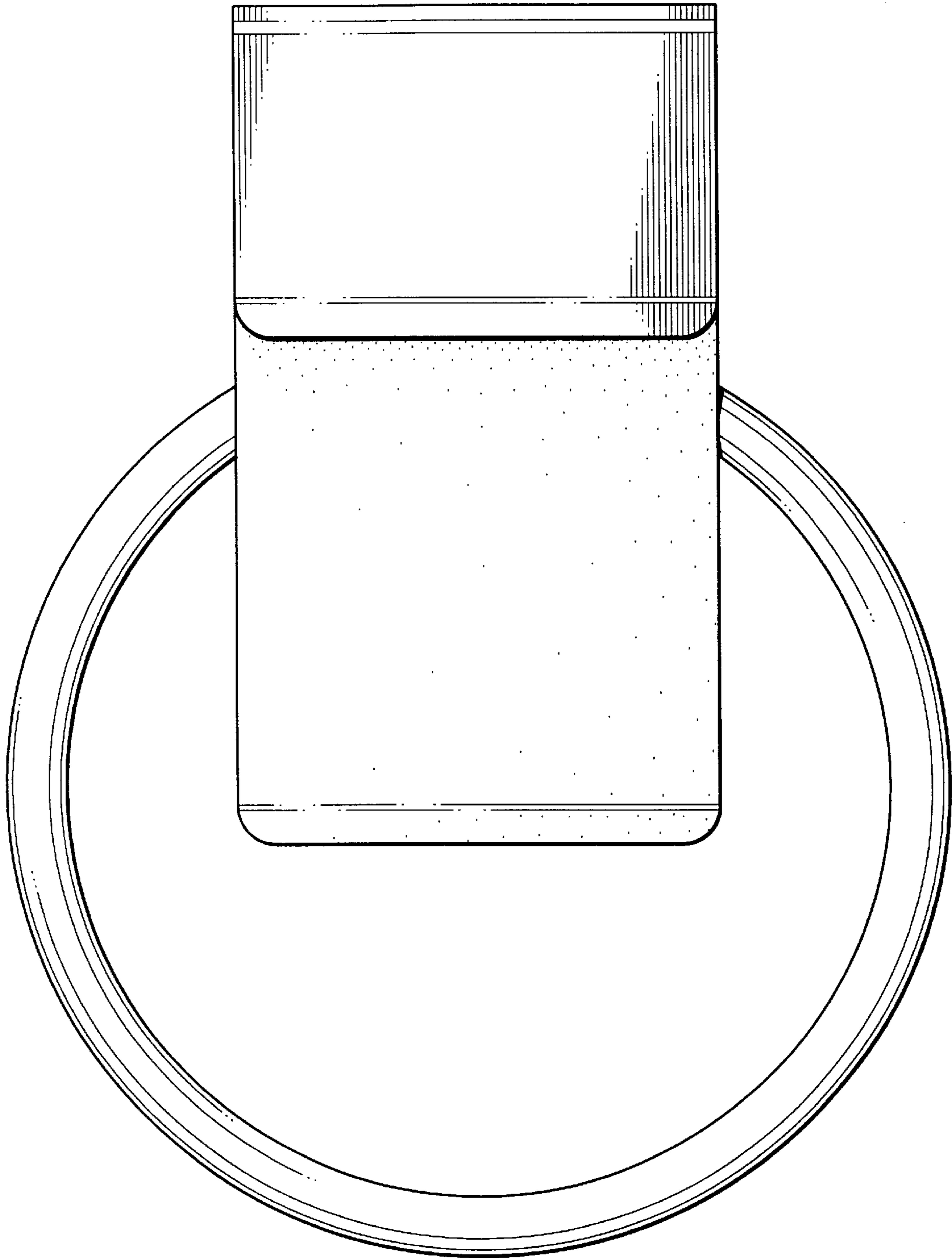


FIG. 3

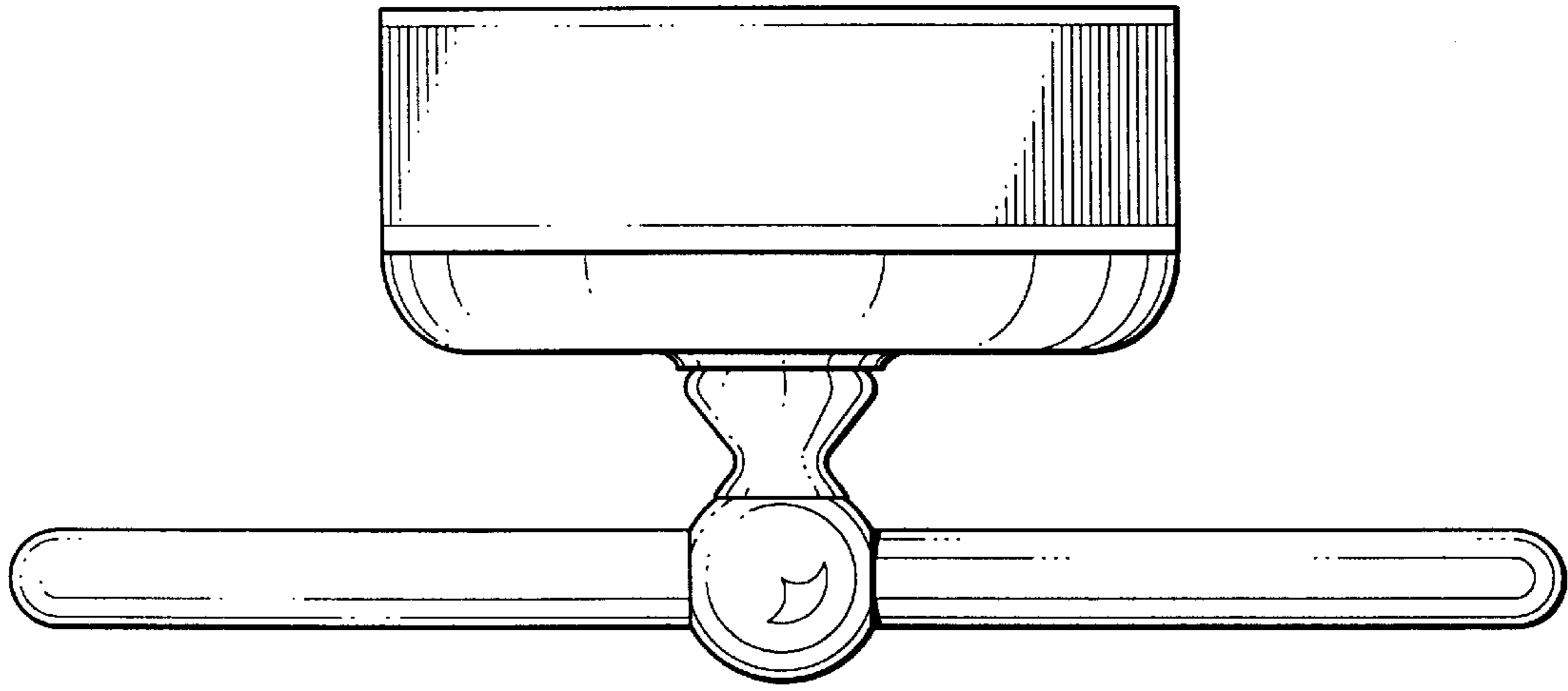


Fig. 4

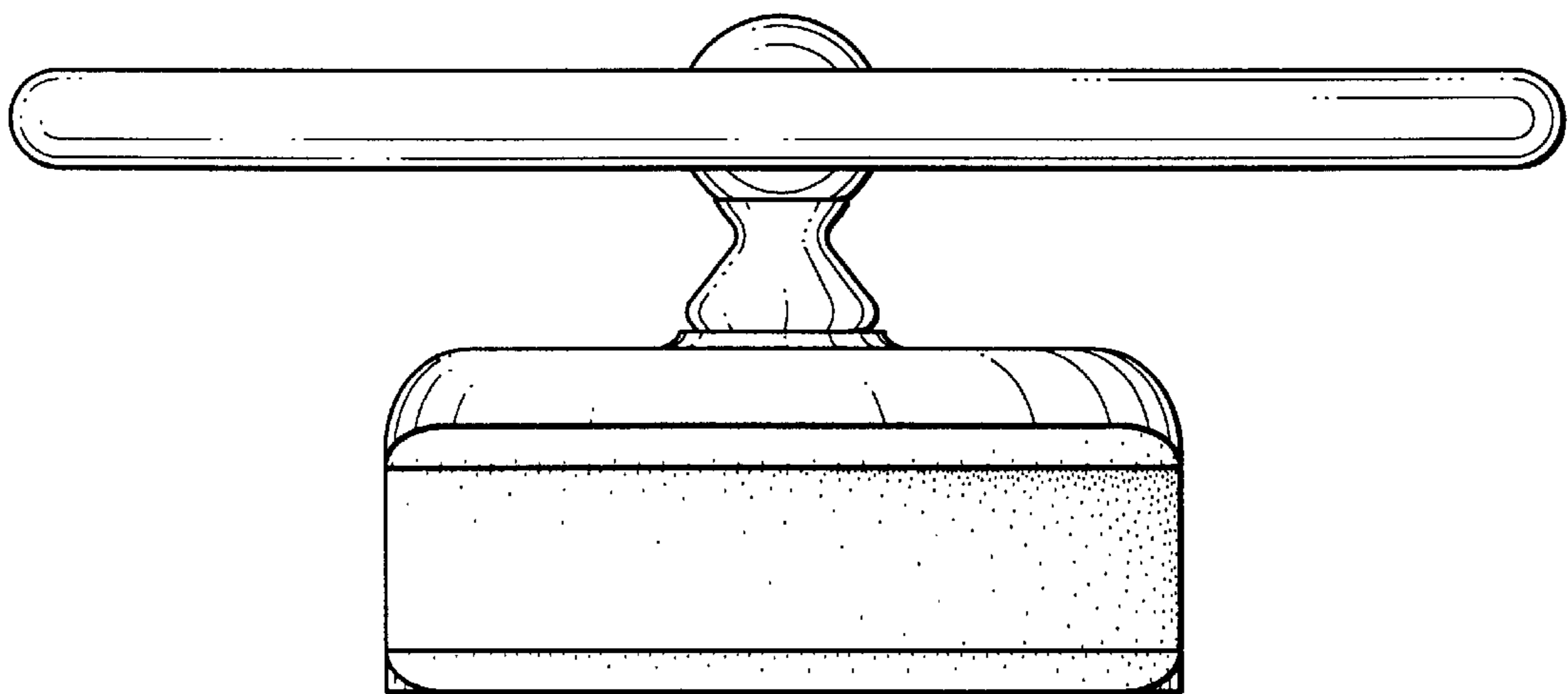


Fig. 5

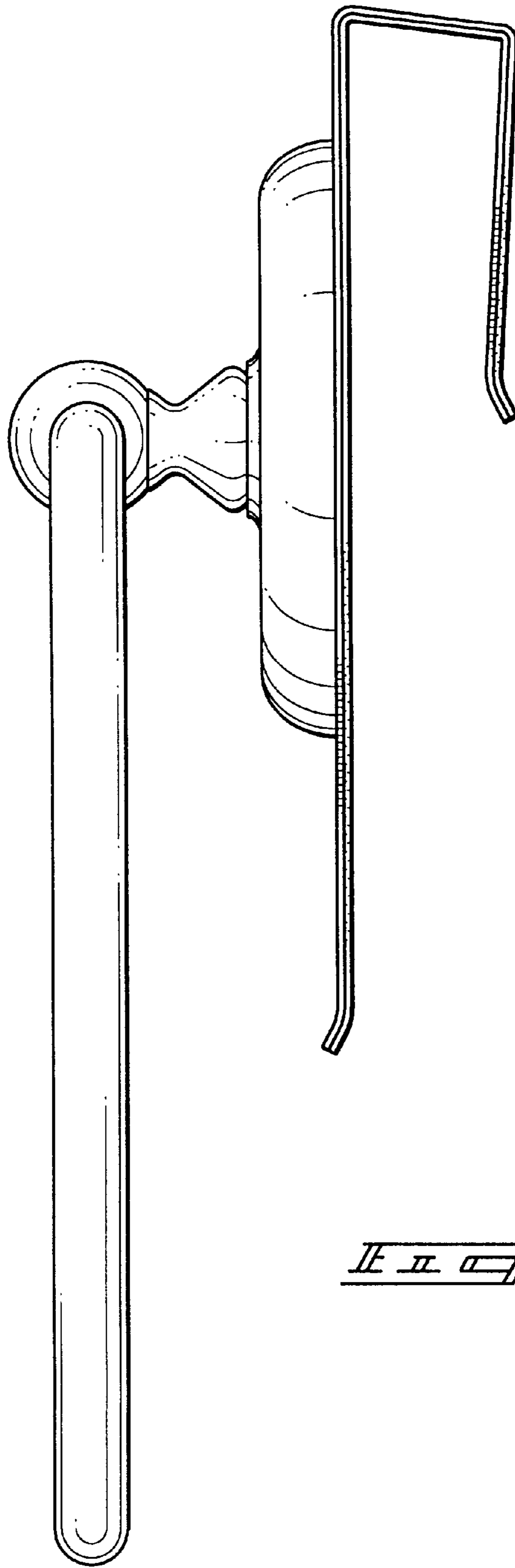


FIG. 5

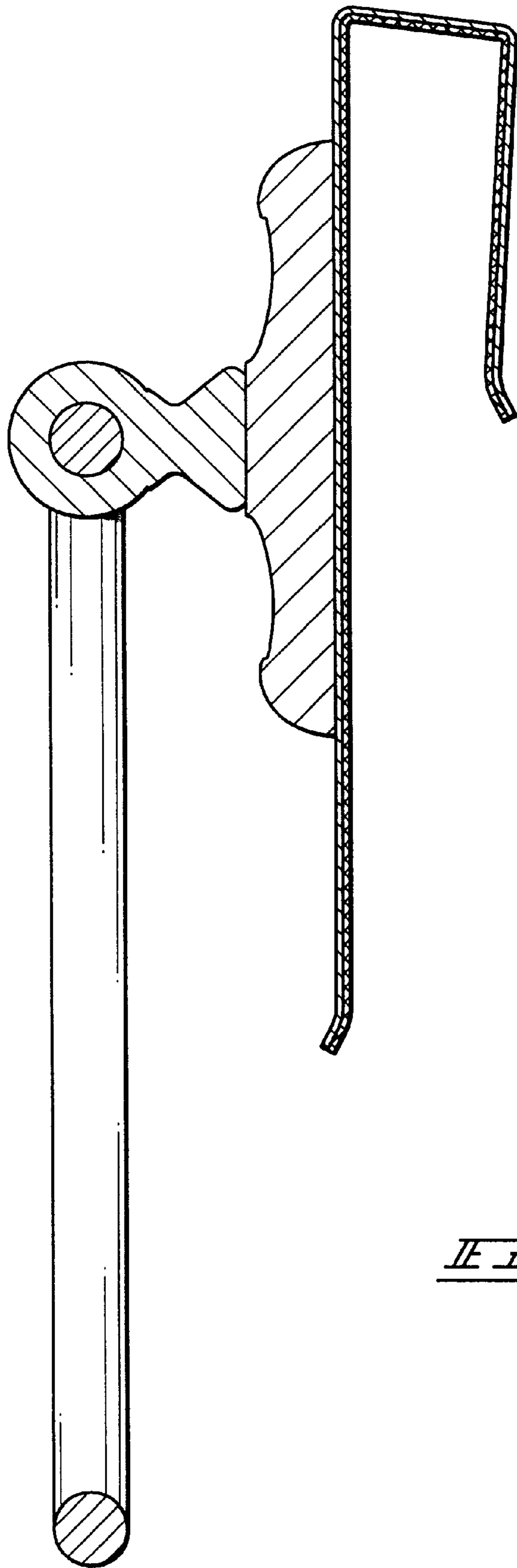


FIG. 6