



US00D450507B1

(12) **United States Design Patent**
Sun et al.

(10) **Patent No.:** **US D450,507 S**

(45) **Date of Patent:** **** Nov. 20, 2001**

(54) **TOWEL RING**

(75) Inventors: **Bill Sun; Linda Sun**, both of
Bridgewater, MA (US)

(73) Assignee: **Sunco, Inc.**, Easton, MA (US)

(**) Term: **14 Years**

(21) Appl. No.: **29/135,313**

(22) Filed: **Jan. 9, 2001**

(51) **LOC (7) Cl.** **06-04**

(52) **U.S. Cl.** **D6/546**

(58) **Field of Search** D6/546-50, 518,
D6/522-24; D8/300, 307-308, 315-21;
108/28-29; 211/13.1, 16, 60.1, 86.01, 87.01,
88.04, 100, 105.1-105.2, 123, 181.1, 182;
242/570, 590, 595, 597-98; 248/175, 176.1,
251, 302; 16/110.1, 412, 415

(56) **References Cited**

U.S. PATENT DOCUMENTS

D. 335,993 * 6/1993 McNeill D6/546

D. 378,643 * 4/1997 Jordan D6/546
D. 394,969 * 6/1998 Ho D6/546
D. 441,582 * 5/2001 Moore D6/546
2,576,873 * 11/1951 Zelov 211/88.04 X
4,907,771 * 3/1990 Wang 248/251 X

* cited by examiner

Primary Examiner—Brian N. Vinson

(74) *Attorney, Agent, or Firm*—Fish & Richardson P.C.

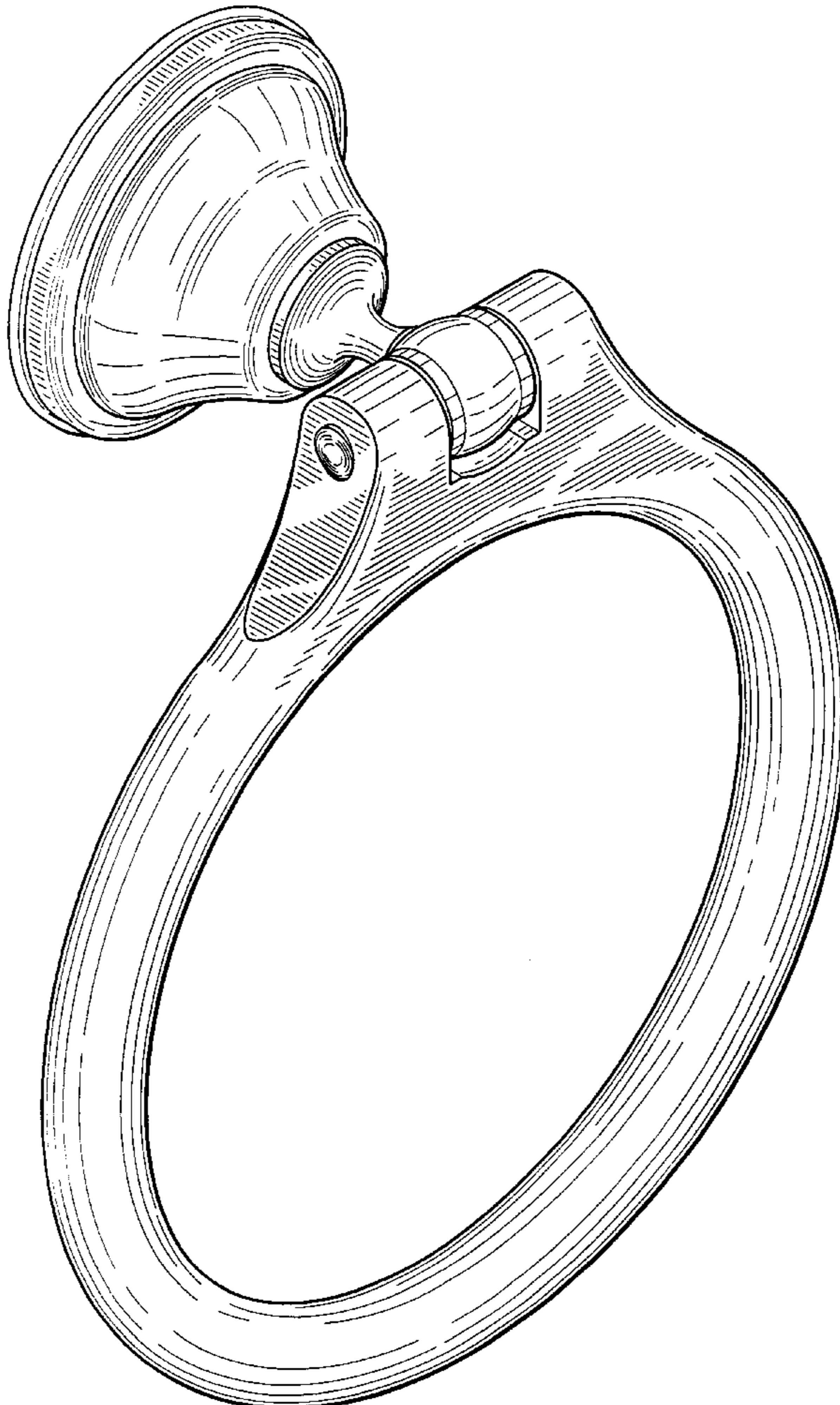
(57) **CLAIM**

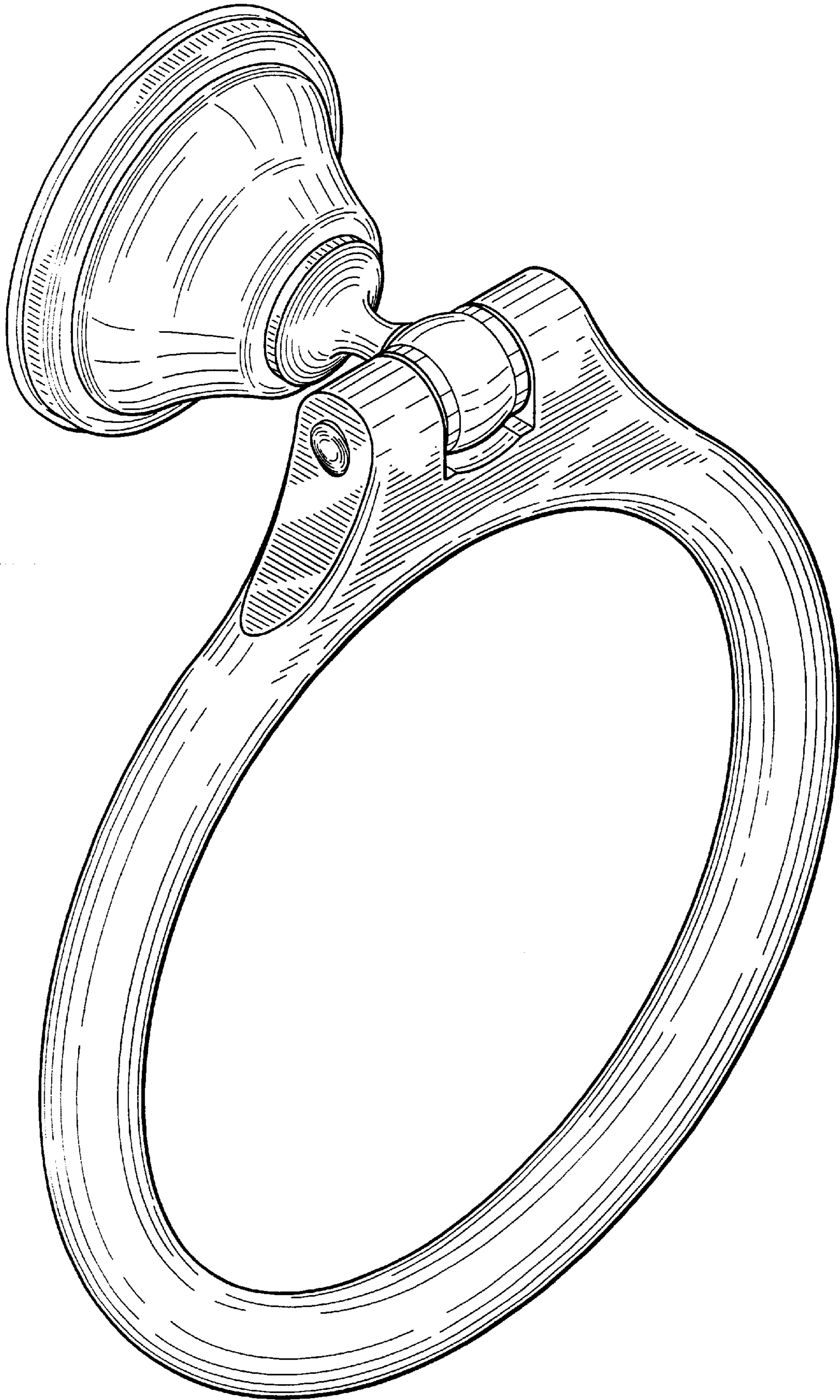
The ornamental design for a towel ring, as shown and described.

DESCRIPTION

FIG. 1 illustrates a perspective view of a towel ring;
FIG. 2 illustrates a front view of the towel ring;
FIG. 3 illustrates a rear view of the towel ring;
FIG. 4 illustrates a left side view of the towel ring;
FIG. 5 illustrates a right side view of the towel ring;
FIG. 6 illustrates a top view of the towel ring; and,
FIG. 7 illustrates a bottom view of the towel ring.

1 Claim, 5 Drawing Sheets





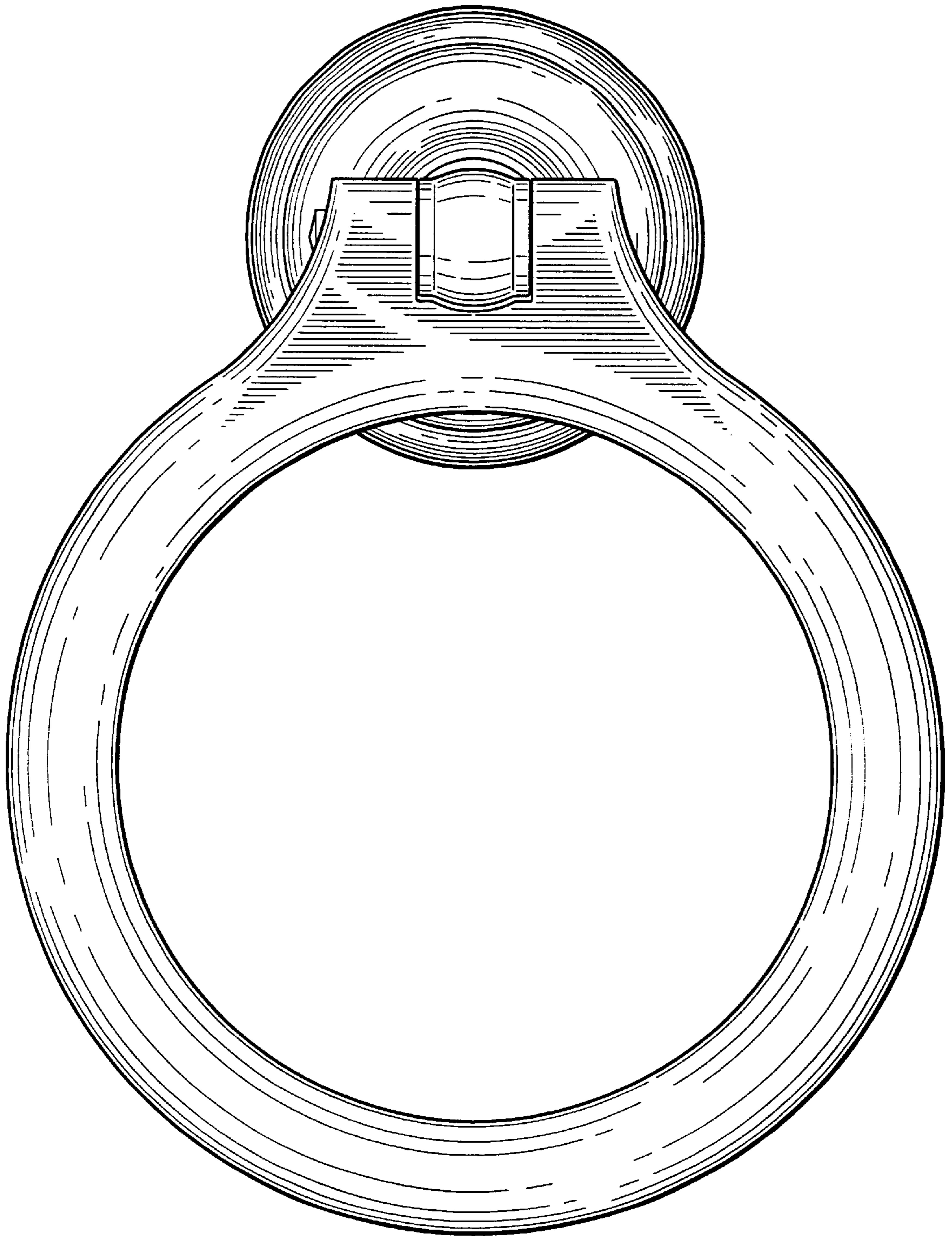


FIG. 2

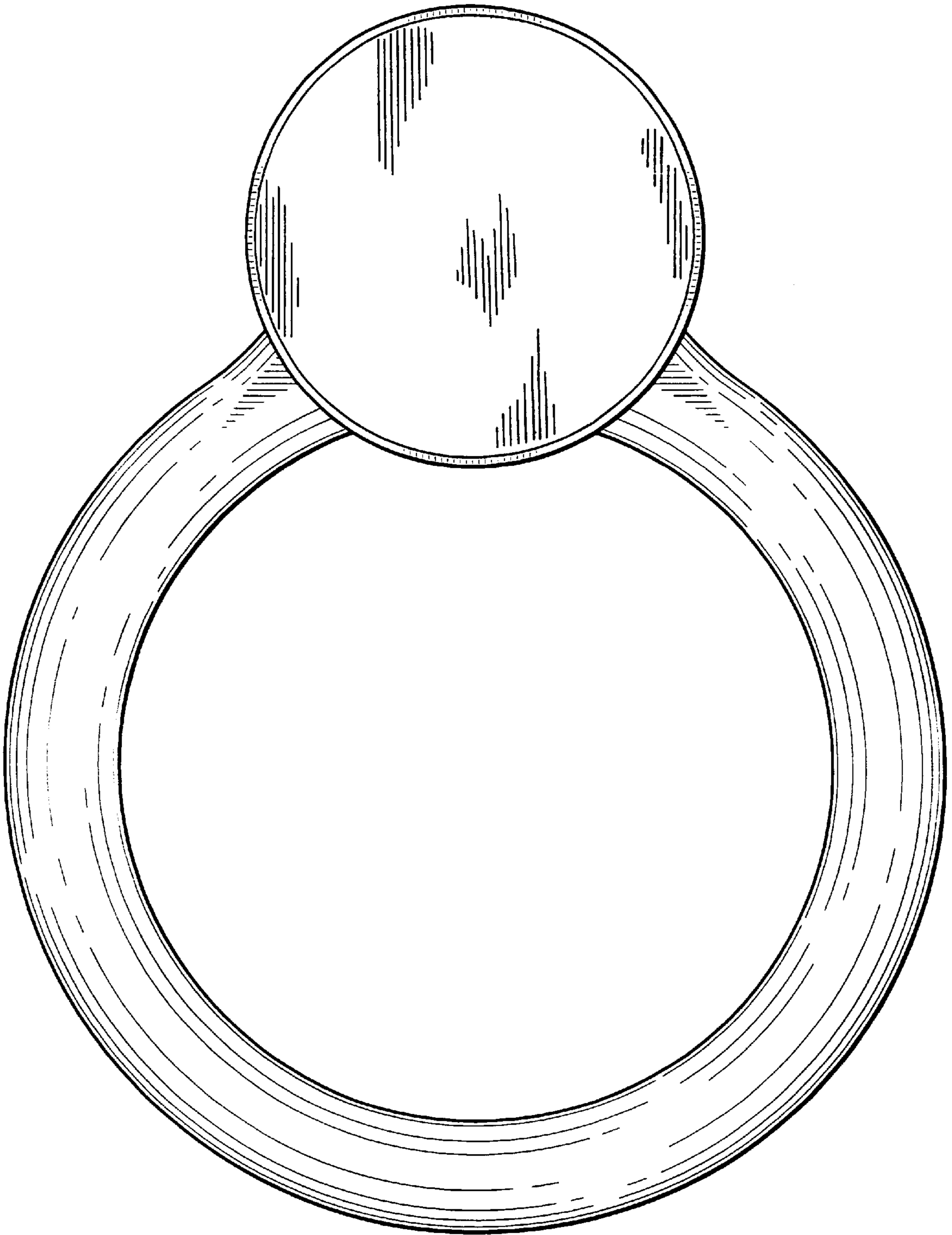


FIG. 3

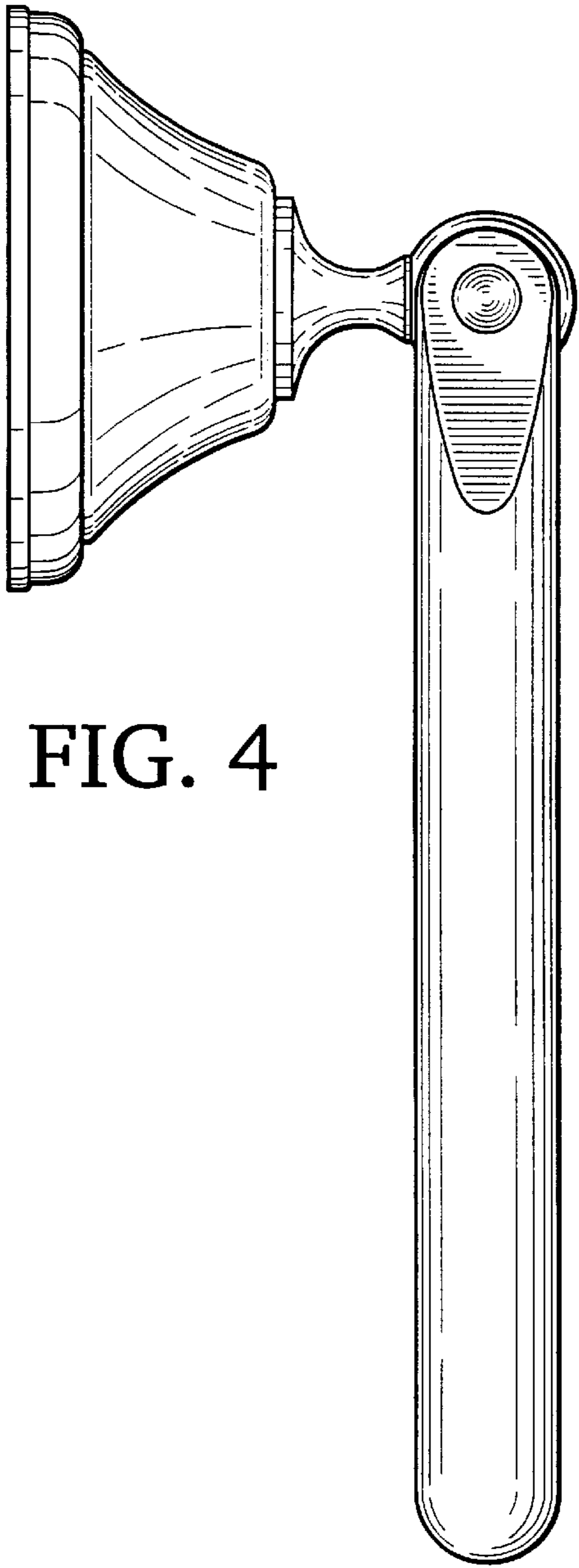


FIG. 4

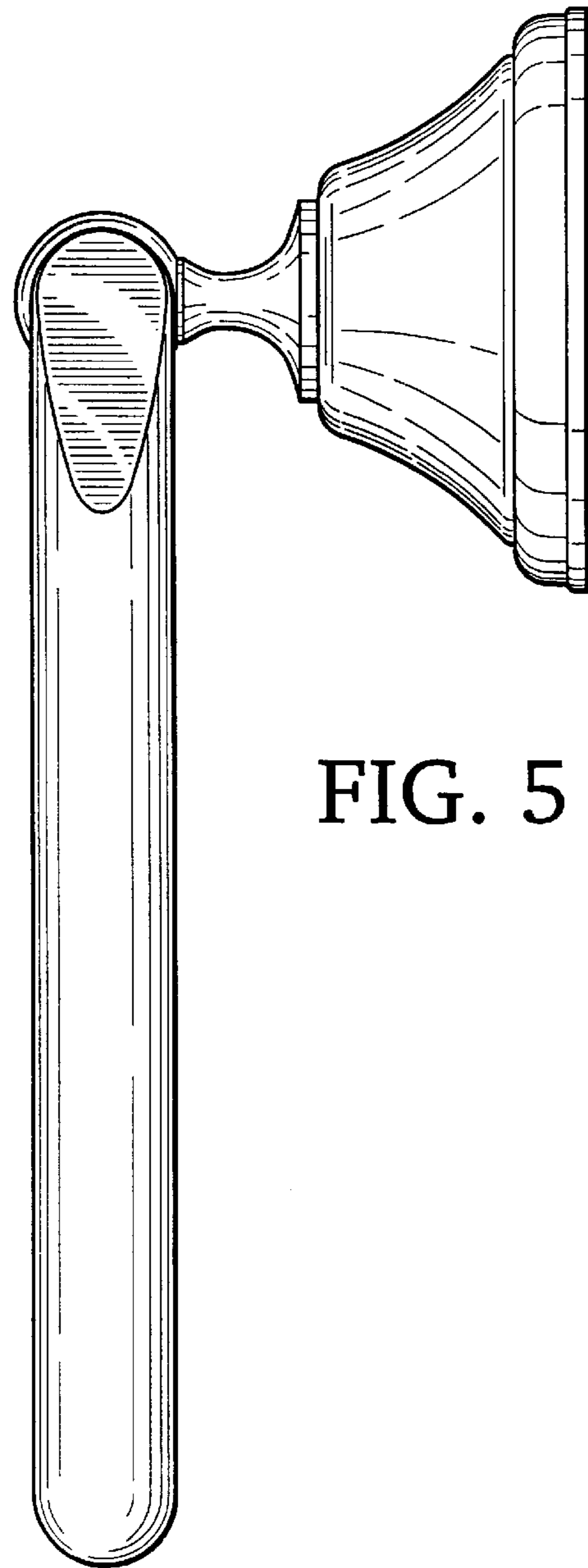


FIG. 5

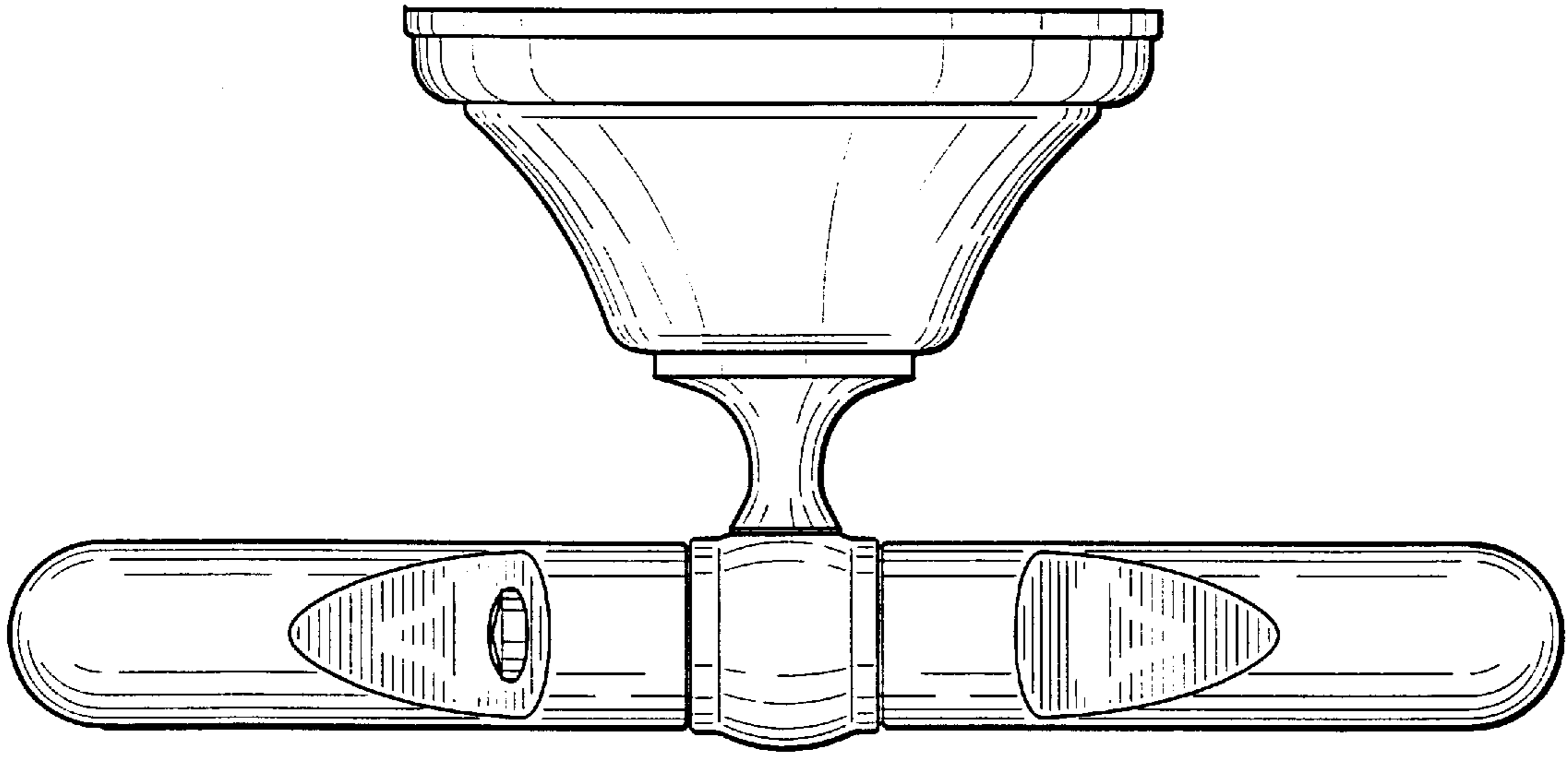


FIG. 6

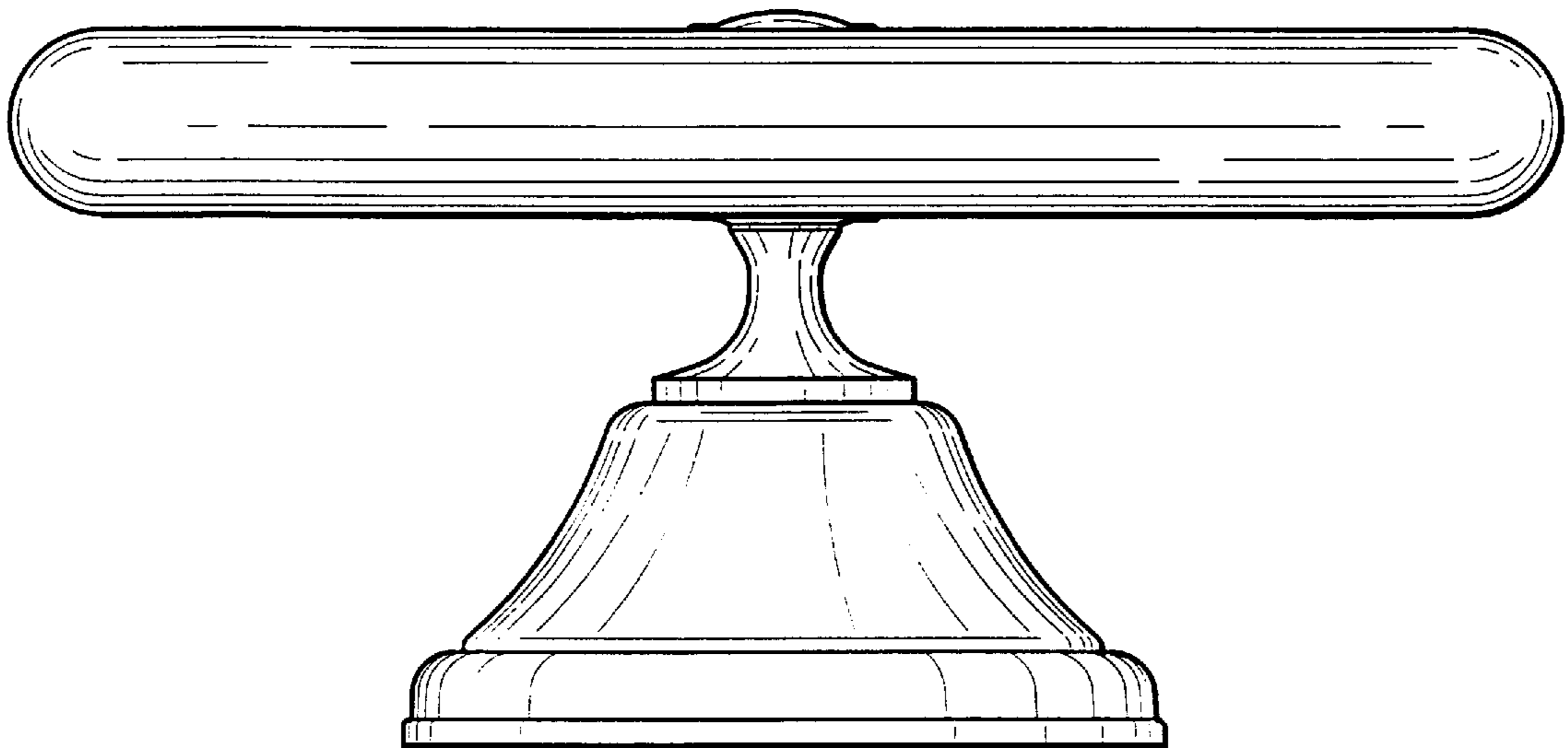


FIG. 7